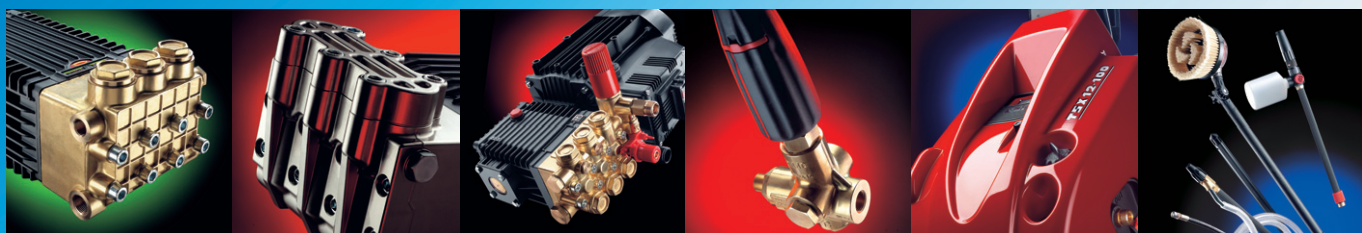




# INTERPUMP GROUP



**SPARE PARTS CATALOGUE  
CATALOGUE PIECES DETACHEES  
ERSATZTEILKATALOG  
CATALOGO DE REPUESTOS  
CATALOGO RICAMBI**





**SPARE PARTS CATALOGUE  
CATALOGUE PIECES DETACHEES  
ERSATZTEILKATALOG  
CATALOGO DE REPUESTOS  
CATALOGO RICAMBI**

**COD. 32.0010.03 – 10/12 – REV.2**

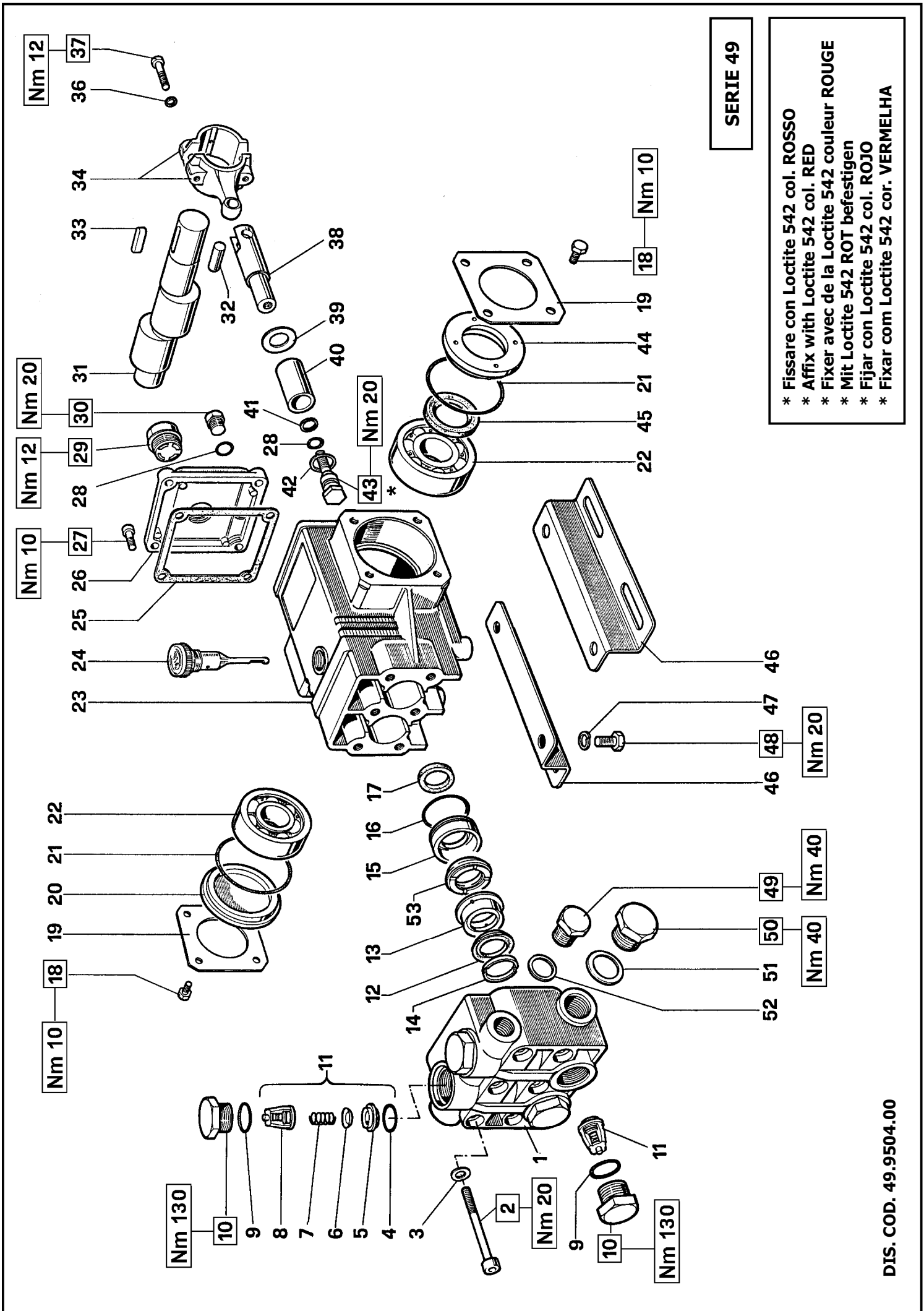
**INTERPUMP GROUP - GENERAL PUMP**

**POMPE - PUMPS**

<b>MOD.</b>	<b>PAG.</b>	<b>MOD.</b>	<b>PAG.</b>	<b>MOD.</b>	<b>PAG.</b>	<b>MOD.</b>	<b>PAG.</b>	<b>MOD.</b>	<b>PAG.</b>
W4	93-95	WW206	27-33	EH1711	11-13	E2D2813	39-41	TS1711	69
W6	103-105	WW209	27-33	UH1711	13-14-15	E2E2813	39-42	T1750	83
W6CW	107	WS251	77	E2B1711	39-41	E3E2813	55-57	T2011	67
W8	103-105	WS252	77	UH1712	11-13-14-15	E2E2815	39-42	TS2011	69
W8CW	107	W355	123	E2B1712	39-41	E3E2815	55-57	TS2021	69
W12	113-115	W425	121	EH1713	11-13	W3021	83-89	T2031	79
WK12	109	WK530	119	UH1713	11-14-15	W3025	83-89	T2040	83
W15	113-115	W827	97	EL1713	19-21	W3521	87-91	T2530	83-89
WK15	109	W905	7	E2B1713	39-41	W3523	87	T2535	83
WW55	3-7	WW906	7-8	E2C1713	39-41	W4015	87-91	T2830	83-89
WW56	3-7	WW907	7-8	E3A1713	53	W4018	87	T3025	83-89
W70	45	WW909	8	E3B1713	53	W4518	87	T3551	123
W71	45	W912	63	E3C1713	53	W5015	87-91	T4018	87-91
WW74	3-7	W913	63	EL1714	19	W5018	87	T4251	121
WW75	3-7	W914	63	E2C1714	39-41	W12070H	101	T5018	87-91
WS82	63	W916	63	UL1715	19-21	W14200	27-33	T8271	97
WW90	3-7	W921	63	E2C1715	39-41	W16180	27-33	T9051	7
W91	45	W922	63	UL1716	19-22	W100100H	101	TT9061	7-8
W92	61	W928	73	E3B1911	53	T41	93-95	TT9071	7-8
WS92	65	WW935	47	EL2002	19-21	T61	103-105	TT9091	8
WW93	3-7	WW944	47	EL2007	19-21	T81	103-105	T9121	69
WW94	3-7	W950	27-33	UH2008	19-22	T121	113-115	T9131	69
WW95	3-7	W951	27-33	E2B2008	39-41	T151	113-115	T9161	69
W97	27-33	W952	27-33	EL2009	19-21	T521	1	T9211	69
W98	45	W953	27-33	UL2009	19-21	T531	1	T9281	73
W99	45	W954	27-33	EH2009	19-21	TT551	3-7	TT9351	51
W101	61	W955	27-33	E2B2010	39-41	TT561	3-7	TT9441	51
WS101	63	W956	27-33	E2D2010	39-41	T701	49	T9721	1
WS102	63	W957	27-33	UL2011	19-21	T711	49	T9731	1
WS104	99	W958	27-33	EH2011	19-21	T721	1	T9791	1
W112	27-33	W959	27-33	UH2011	19-21-22	T731	1	T9951	49
WW116	27-33	WW960	27-34	E2D2011	39-41	TT741	3-7	T9961	49
W124	27-33	WW961	27-34	UH2013	19-21-22	TT751	3-7	T9971	49
W130	27-33	WW962	27-34	E2D2013	39-41	TS821	69		
W130HH	29-33	WW963	31-34	UH2014	21	TT901	3-7		
W131	61	WW964	31-33-34	E2B2014	39-41	T911	49		
WS131	63	WW965	31-33-34	E2D2015	39-41	T921	67		
W132	61	W995	45	UH2016	19-21	TS921	71		
WS132	65	W996	45	E2C2016	39	TT931	3-7		
WS133	63	W997	45	E2D2016	39-41	TT941	3-7		
WS135	79	E3B1021	53	W2030	83-89	TT951	3-7		
WW136	27-33	E3C1021	53	W2035	83	T981	49		
WS137	45	W1208	5-7	E2E2108	39-42	T991	49		
W140	27-33	W1210	5-7	E2C2109	39-41	T1011	67		
W140HH	29-33	E3B1218	53	E2C2111	39-41	TS1011	69		
WW141	47	E3C1218	53	E2E2111	39-42	TS1021	69		
WS149	45	EL1403	19-21	E2C2112	39	TS1041	99		
W150	27-33	EL1411	19-21	E2E2113	39-42	T1209	5-7		
W151	61	UL1413	19-21	E3A2113	55	T1212	5-7		
WS151	63	EH1413	19-21	E2E2114	39-42	T1311	67		
WS152	63	EH1416	19-21	E3A2115	55	TS1311	69		
WS153	99	W1507	5-7	E2E2116	39-42	T1321	67		
W154	27-33	WW1508	5-7	E3B2118	55	TS1321	71		
W154HH	29-33	WW1509	5	E3B2121	55	TS1331	69		
W155	103-105	UL1509	11-13	W2141	83	TS1351	79		
WW156	27-33	WW1510	5-7	E3B2511	55	TS1371	49		
W158CW	117	EL1510	11-13	E3B2513	55	TT1411	51		
W159	113	WW1511	5-7	E3C2513	55	TS1491	49		
WK159	109	UL1512	11-13-14	E3B2515	55	T1508	5-7		
WW161	47	WW1513	5-7-8	E3C2515	55	TT1508	5-8		
W162	61	EL1513	11-13	E3E2517	55-57	TT1510	5-8		
WS162	65	E3A1515	53	E3C2518	55	TT1511	5-8		
W163	81	E3B1515	53	E3E2520	55-57	T1511	67		
W170	27-33	E3C1515	53	E3C2521	55	TS1511	69		
WS171	63	W1550	85-89	W2525	83-89	TT1512	5-8		
WW176	27-33	WS1630	75	E2B2808	39-41	TT1513	5-8		
WW186	27-33	EL1707	11-13	E2E2808	39-42	TS1521	69		
WW189	27	EL1708	11-13	E2C2809	39	TS1531	99		
W200	27-33	UL1708	11-13	E2D2810	39-41	T1551	103-105		
W201	61	EH1708	11-13	E2E2810	39-42	T1591	113		
WS201	63	UH1708	11-13-14-15	E2D2811	39-41	TT1611	51		
WS202	63	UL1710	11	E2E2811	39-42	T1621	67		
W203	79	EH1710	11-13	E2D2812	39-41	TS1621	71		
W204	27-33	UH1710	11	E2E2812	39-42	T1631	81		

INTERPUMP GROUP - GENERAL PUMP POMPE SPECIALI - SPECIAL PUMPS							
MOD.	PAG.	MOD.	PAG.	MOD.	PAG.	MOD.	PAG.
<b>SS Series</b>		SS7193	137	<b>MISTING Series</b>		<b>AGRI Series</b>	
SSE1411	127	SS71106	137	FE5101	161-163	T12	209
SSE1413	127	SS71153	137	FE5102	161-163	T33	213
SSU1413	127	SS71170	137	FE5104	161-163	T44	215-217
SSE1414	127	<b>HT Series</b>		FE5106	161-163	T55	215-217
SSU1415	127	HT4715	141	FE5108	161-163	T77	219-221
SSE1505	127	HT4718	141	FE6004	165-167	T88	219-221
SSE1507	127	HT4721	141	FE6006	165-167	T111	223
SSE1509	127	HT4723	141	FE6008	165-167	T122	223
SSU1509	127	HT6004	143	FE6010	165-167	T144	223
SSU1511	127	HT6007	143	FE6012	165-167	T177	223
SSE1518	125	HT6008	143				
SSU1521	125	HTS6311	145				
SSE2013	125	HTS6313	145				
SSE2015	125	HTS6315	145				
SSU2015	125	HT6628	147-149				
SSU2018	125	HT6635	147				
SSE2021	125	HT6639	147				
SSE2025	129-131	HT6646	147				
SSE2030	129-131	HT6968	151				
SSU2030	129-131	HT7095H	153				
SSE2035	129	HT71150	157				
SSU2035	129						
SSU2040	129						
SSE2041	129						
SSU2050	129						
SS7045	133						
SS7061H	133						
SS7091H	133						

INTERPUMP GROUP MOTOPOMPE - MOTORPUMPS IDROPULTRICI - HIGH PRESSURE CLEANERS				INTERPUMP GROUP ACCESSORI - ACCESSORIES			
MOD.	PAG.	MOD.	PAG.	MOD.	PAG.	MOD.	PAG.
<b>TURBO Series</b>		<b>BOXJET Series</b>		K1	225	ROTOMAX	252
TURBO 8/70	169	BOXJET 8/70	187	K3	226	ROTOMAX 400	253
TURBO 11/50	169	BOXJET 11/50	187	K5	226	RMAX 750	253
TURBO 10/100	171	BOXJET 8/90	187	K7	227	ROTOTEK	254
TURBO 15	171	BOXJET TURBO 15	189	K9	228	MULTIREG 99	254
TURBO 19	171	BOXJET TURBO 19	189	BKX600	229	SPEEDMATIC	255
TURBO 21	171	BOXJET TURBO 21	189	HX	230	STOPMATIC	255
TURBO 22	171	<b>BIG BANG Series</b>		HXM	230	TESTINA SABBIANTE	256
TURBO 8/90	173	BIG BANG X230	191	HM	230	ACCUMULATORE	256
TURBO 11/70	173	BIG BANG F122	191	BH210	231	FILTRO	256
TURBO 11/120	175	BIG BANG X220S	191	H253	232	ATTACCO RAPIDO	257
TURBO 13/90	175	BIG BANG X117S	191	H284	233	SIMPLEX 3	257
<b>M Series</b>		BIG BANG F124	191	H440	234	M.PTO	258
M 10-130	179	BIG BANG X240S	191	H450	235	RS99	258
M 12-100	179	BIG BANG X161	191	H253SS	236	RS151	259
M 951	179	<b>FORMULA Series</b>		H560	237	RE44	259
M 954	179	FORMULA X230	193	CONTROL SET W1	238	RS500	260
M 957	179	FORMULA F122	193	CONTROL SET W1L	239	RS500H	260
M 12-140	183	FORMULA X220S	193	CONTROL SET W2	240	BRUSHKIT	261
M 13-180	183	FORMULA X117S	193	CONTROL SET W2L	240	ZTXBRUSH	261
M 14-120	183	FORMULA F124	193	CONTROL SET W3	241	FOAMER	261
M 15-150	183	FORMULA X240S	193	KR	242	FOAMKIT	261
M 17-130	183	FORMULA X161	193	KRT	243	ZTXFOAM	261
M 960	183	<b>CLEANMATIC Series</b>		TIMAX - TIMAX 100	244	SANDKIT	262
M 961	183	CLEANMATIC CL10	195	SX1	244	ZTXSAND	262
<b>MISTING Series</b>		CLEANMATIC CL11	195	SR	245	P6	263
M51012F	197	CLEANMATIC CL22	195	S3	245	P7	263
M51022F	197	CLEANMATIC CL24	195	P3	246	VARIOJET	264
M51042F	199	CLEANMATIC CL26	195	P3X	246	VARIOJETKIT	264
M51062F	199	<b>GREENJET Series</b>		P10	247	ROTOCLEANKIT	264
M51012	203	GREENJET GX10	195	P11	247	CHEMKIT	264
M51022	203	GREENJET GX11	195	PIMATIC	247	GIUNTI ELASTICI	265-266
M51042	205	GREENJET GX22	195	P560	248	CARRELLO T-TX	267
M51062	205	GREENJET GX24	195	P560 CON SPALLIERA	249	CARRELLO IPX	267
M60082F	201	GREENJET GX26	195	LANCIA DOPPIA	250	CARRELLO TSX	268
M60082	207	<b>BLUETIME Series</b>		QUICK LANCE	250	CARRELLO IP	269
		BLUETIME BT10	195	TX LANCE	251	CARRELLO TX300	270
		BLUETIME BT11	195	LANCE STANDARD	251	CARRELLO TX500	270
		BLUETIME BT22	195	ROBOKIM	251	AVVOLGITUBO T-TX-IPX-TSX	271
		BLUETIME BT24	195	VARIOPRESS	252	AVVOLGITUBO TX300-TX500	271
		BLUETIME BT26	195	ZUREG 3	252		



**SERIE 49**

\* Fissare con Loctite 542 col. ROSSO  
 \* Affix with Loctite 542 col. RED  
 \* Fixer avec de la Loctite 542 couleur ROUGE  
 \* Mit Loctite 542 ROT befestigen  
 \* Fijar con Loctite 542 col. ROJO  
 \* Fixar com Loctite 542 cor. VERMELHA

DIS. COD. 49.9504.00



# T521 - T531 - T721 - T731 - T9791

## T9721 - T9731 - T9731 - T9791

### KIT RICAMBI - SPARE KITS

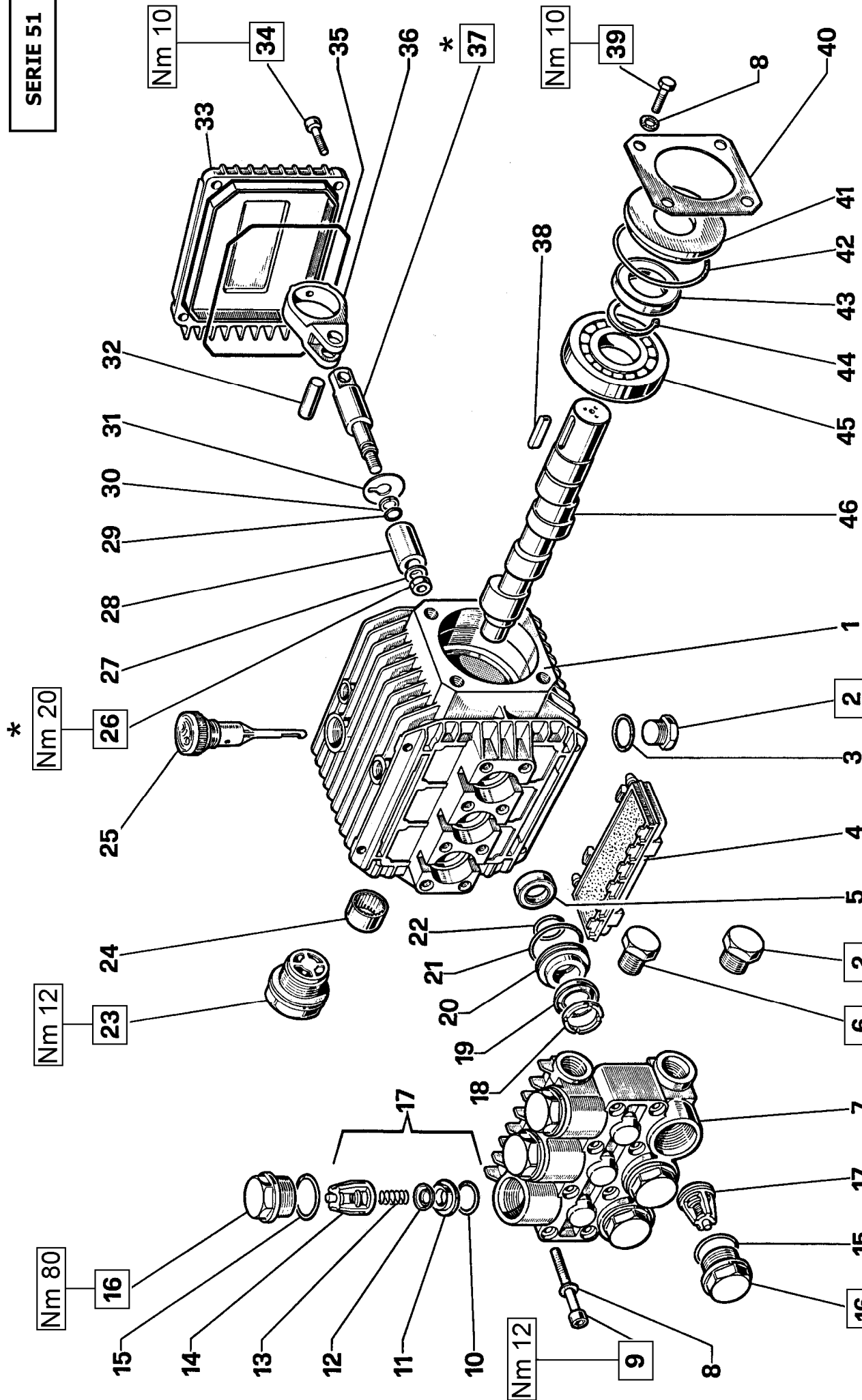
KIT Nr.	KIT 1	KIT 4	KIT 6	KIT 19	KIT 20	KIT 21	KIT 22	KIT 23	KIT 27
Posizioni incluse Positions included (11)	4 - 5 6 - 7 8 (11)	9 - 10	28 - 39 41 - 42 43	12 - 53	13	14	15 - 16	17	12 - 13 14 - 15 16 - 53
Nr. Pcs.	6	6	3	3	3	6	3	3	1

POS	COD.	DESCRIZIONE - DESCRIPTION - KIT	NR
1	49.1200.22 49.1200.41	Testata Ø 20 - NICKEL Testata Ø 20	1 1
2	99.3175.00	Vite M8x60 UNI 5931	6
3	96.7014.00	Rosetta Ø 8.4x13x0.8	6
4	90.3841.00	OR Ø 17.13x2.62 (3068)	1 4
5	36.2003.66	Sede valvola	1 4
6	36.2001.76	Valvola	1 4
7	94.7376.00	Molla Ø 9.4x14.8	1 4
8	36.2002.51	Guida valvola	1 4
9	90.3847.00	OR Ø 20.24x2.62 (3081) - 90 Sh.	4 4
10	98.2220.00	Tappo M24x2x16	4 4
11	36.7032.01	Gruppo valvola aspiraz./mandata	1 4
12	90.2703.00	Anello ten. alt. Ø 20x30x5.5/3.3 HP 19-27	2
13	50.2166.70	Anello intermedio Ø 20	20-27 2
14	50.1000.51	Anello di testa Ø 20	21-27 2
15	50.0805.70	Anello di fondo Ø 20	22-27 2
16	90.3612.00	OR Ø 31.47x1.78 (2125)	22-27 2
17	90.1614.00	Anello rad. Ø 20x30x5	23 2
18	99.1807.00	Vite M6x10 UNI 5739	8
19	50.1500.74	Coperchio laterale carter	2
20	50.2116.51	Distanziale	1
21	90.4097.00	OR Ø 55.56x3.53 (159)	2
22	91.8328.00	Cuscinetto a sfere 6305	2

POS	COD.	DESCRIZIONE - DESCRIPTION - KIT	NR
44	50.2115.51	Distanziale	1
45	90.1634.00	Anello rad. Ø 25x42x7	1
46	50.2000.74	Piedino pompa	2
47	96.7016.00	Rosetta Ø 8,4 UNI 1751	4
48	99.3037.00	Vite M8x16 UNI 5739	4
49	98.2100.00	Tappo G 3/8"x13	1
50	98.2176.00	Tappo G 1/2"x10	1
51	96.7514.00	Rosetta Ø 21.5x27x1.5	1
52	96.7380.00	Rosetta Ø 17.5x23x1.5	1
53	90.2698.00	Anello ten. alt. Ø 20x30x7 LP	19-27 2

POS	COD.	DESCRIZIONE - DESCRIPTION - KIT	NR
23	49.0104.22	Carter pompa	1
24	98.2103.00	Tappo carico olio	1
25	49.2119.84	Guarnizione coperchio posteriore	1
26	49.1603.22	Coperchio posteriore carter	1
27	99.1837.00	Vite M6x14 UNI 5931	4
28	90.3585.00	OR Ø 10.82x1.78	6 3
29	97.5968.00	Spia livello olio G 3/4"	1
30	98.2041.00	Tappo G 1/4"x19	1
31	49.0205.35 49.0200.35 49.0201.35 49.0204.35 49.0220.35 49.0217.35	Albero - T521 Albero - T531 Albero - T731 Albero - T721 - T9791 Albero - T9721 Albero - T9731	1 1 1 1 1 1
32	97.7330.00	Spinotto Ø 9x19.5	2
33	91.4878.00	Linguetta 8x7x25 UNI 6604	1
34	50.0300.01	Biella completa	2
36	96.6939.00	Rosetta Ø 6.4x10x0.7	4
37	99.1927.00	Vite M6x35 UNI 5931	4
38	50.0500.56	Guida pistone	2
39	96.7286.00	Rosetta Ø 14x28x0.5	6 2
40	50.0404.09	Pistone Ø 20x40	2
41	90.5067.00	Anello antiest. Ø 11x14x1.5	6 2
42	96.7280.00	Rosetta Ø 14x18.5x0.5	6 2
43	47.2195.66	Vite fissaggio pistone	6 2


SERIE 51




- \* Fissare con Loctite 542 col. ROSSO
- \* Affix with Loctite 542 col. RED
- \* Fixer avec de la Loctite 542 couleur ROUGE
- \* Mit Loctite 542 ROT befestigen
- \* Fijar con Loctite 542 col. ROJO
- \* Fixar com Loctite 542 cor. VERMELHA



**KIT RICAMBI – SPARE KITS**



**WW55 – WW56 – WW74 – WW75  
 WW90 – WW93 – WW94 – WW95  
 TT551 – TT561 – TT741 – TT751  
 TT901 – TT931 – TT941 – TT951**

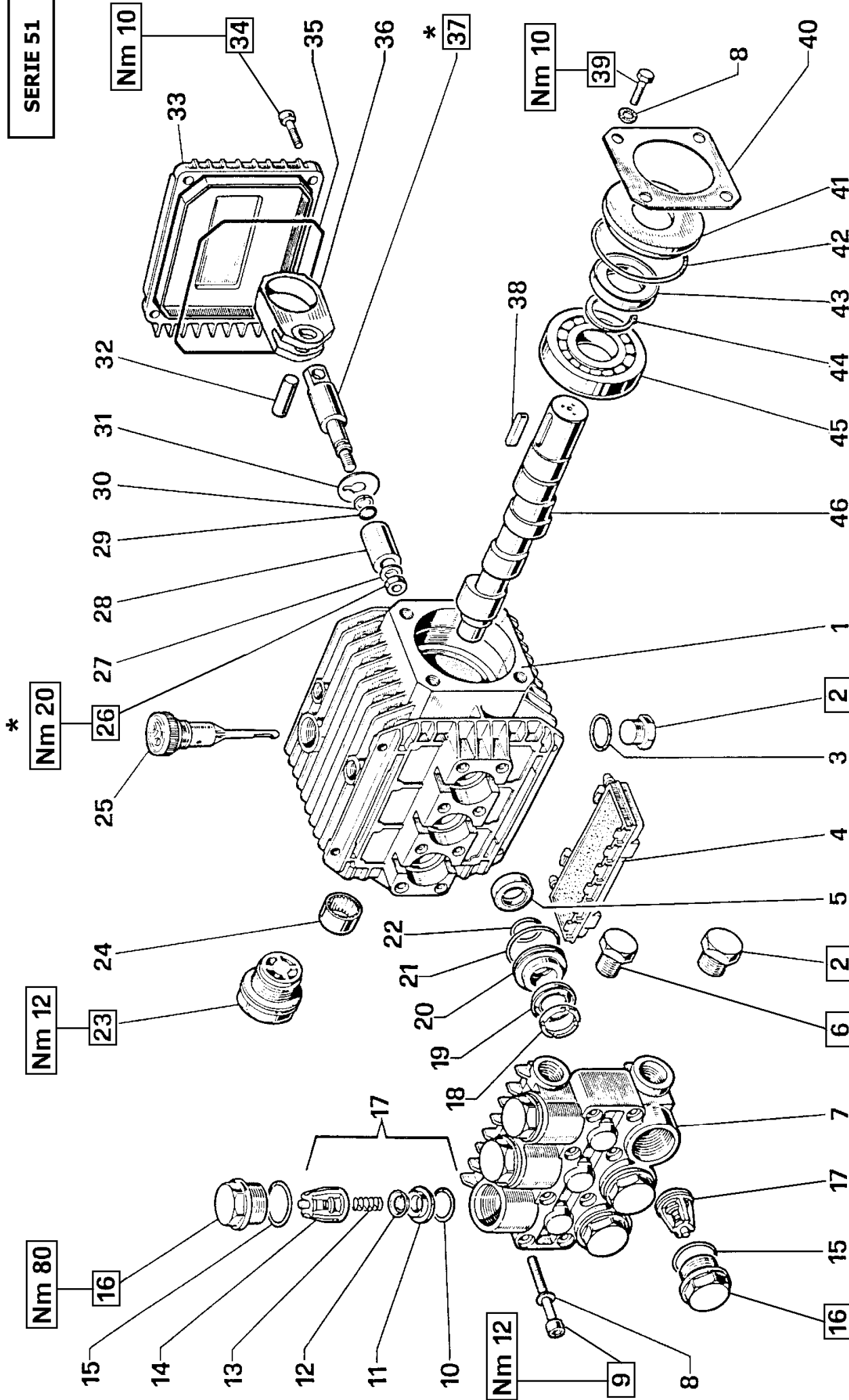


KIT Nr.	KIT 1	KIT 83	KIT 84	KIT 86	KIT 96	KIT 97
Posizioni include Positions included	10 - 11 12 - 13 14 (17)	5	15 - 16	20 - 21 22	18 - 19 20 - 21 22	18 - 19 21 - 22
Nr. Pcs.	6	3	6	3	1	3

POS	COD.	DESCRIZIONE – DESCRIPTION - KIT	NR
22	90.3835.00	OR Ø 15.08x2.62 (119)	86-96-97
23	97.5968.00	Spia livello olio	1
24	91.8014.00	Boccola a rullini	1
25	98.2103.00	Tappo carico olio	1
26	92.2216.00	Dado M8x13x5 – INOX	3
27	44.2115.70	Rosetta Ø 8 con collare	3
28	51.0400.09	Pistone Ø 15x25	3
29	90.3573.00	OR Ø 5.28x1.78 (2021)	3
30	90.5022.00	Anello antiest. Ø 6.2x9x1.5	3
31	96.7070.00	Rosetta Ø 9x23x0.5	3
32	97.7310.00	Spinotto Ø 8x24.5	3
33	51.1600.22	Coperchio posteriore	1
34	99.1867.00	Vite M6x18 UNI 5931	4
35	90.3917.00	OR Ø 88.57x2.62 (3350)	1
36	51.0300.22	Biella	3
37	51.0500.56	Guida pistone	3
38	91.4877.00	Linguetta 8x7x25 UNI 6604	1
39	99.1807.00	Vite M6x10 UNI 5937	4
40	50.1500.74	Coperchio carter	1
41	50.2115.51	Distanziale	1
42	90.4097.00	OR Ø 55.56x3.53 (159)	1
43	90.1634.00	Anello rad. Ø 25x42x7	1

POS	COD.	DESCRIZIONE – DESCRIPTION - KIT	NR
1	51.0106.22	Carter pompa	1
2	98.2100.00	Tappo G 3/8"x13	2
3	90.3833.00	OR Ø 13.95x2.62 (3056)	1
4	51.2090.51	Protezione	1
5	90.1565.00	Anello rad. Ø 15x24x5	83
6	98.2041.00	Tappo G 1/4"x9	1
7	51.1200.41 51.1200.22	Testata Ø 15 Testata Ø 15 - NICKEL	1 1
8	96.6938.00	Rondella Ø 6.4x10x0.7	8
9	99.1943.00	Vite M6x40 UNI 5931	8
10	90.3841.00	OR Ø 17.13x2.62 (3068)	1
11	36.2003.66	Sede valvola	1
12	36.2001.76	Valvola sferica	1
13	94.7376.00	Molla Ø 9.4x14.8	1
14	36.2002.51	Guida valvola123	1
15	90.3847.00	OR Ø 20.24x2.62 (3081)	84
16	98.2218.00	Tappo M24x1.5x11	84
17	36.7032.01	Gruppo valvola aspiraz. / mand.	1
18	51.1000.51	Anello di testa Ø 15	96-97
19	90.2620.00	Anello ten. alt. Ø 15x25x5/3.1	96-97
20	51.0800.70	Anello di fondo Ø 15	86-96
21	90.3604.00	OR Ø 25.12x1.78 (2100)	86-96-97

SERIE 51



\* Fissare con Loctite 542 col. ROSSO  
 \* Affix with Loctite 542 col. RED  
 \* Fixer avec de la Loctite 542 couleur ROUGE  
 \* Mit Loctite 542 ROT befestigen  
 \* Fijar con Loctite 542 col. ROJO  
 \* Fixar com Loctite 542 cor. VERMELHA



**W1507 – WW1508 – WW1509 – WW1510 – WW1511 – WW1513 – W1208 – W1210 – T1508 – TT1508 – TT1510 – TT1511 – TT1512 – TT1513 – T1209 – T1212**



**KIT RICAMBI – SPARE KITS**

KIT Nr.	KIT 83	KIT 123	KIT 157	PISTONE - PISTON Ø15			PISTONE - PISTON Ø18		
				KIT 86	KIT 96	KIT 97	KIT 139	KIT 140	KIT 141
Posizioni include Positions included	5	10 - 11 12 - 13 14 (17)	15 - 16	20 - 21 22	18 - 19 20 - 21 22	18 - 19 21 - 22	20 - 21 22	18 - 19 20 - 21 22	18 - 19 21 - 22
Nr. Pcs.	3	6	6	3	1	3	3	1	3

PISTONE - PISTON Ø 15		PISTONE - PISTON Ø 18	
<b>W1507 – WW1508 – WW1509 WW1510 – WW1511 WW1513</b>		<b>W1208 – W1210 T1209 – T1212</b>	
<b>T1508 – TT1508 – TT1510 TT1511 – TT1512 – TT1513</b>			

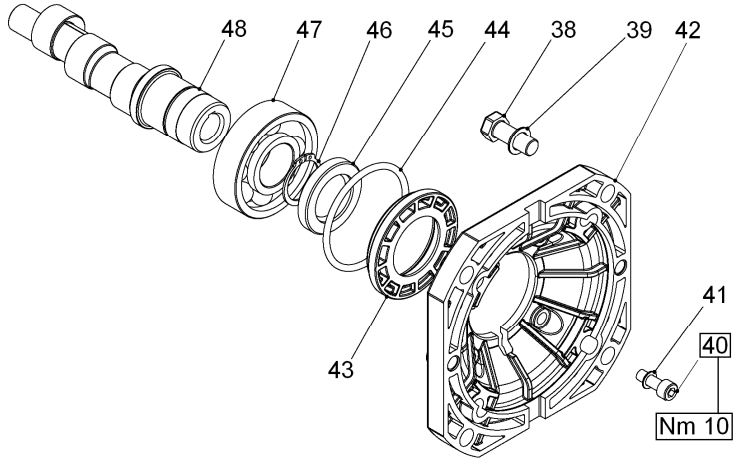
POS	COD.	DESCRIZIONE – DESCRIPTION - KIT	NR
1	51.0106.22	Carter pompa	1
2	98.2100.00	Tappo G 3/8"x13	2
3	90.3833.00	OR Ø 13.95x2.62 (3056)	1
4	51.2090.51	Protezione	1
5	90.1565.00	Anello rad. Ø 15x24x5	83
6	98.2041.00	Tappo G 1/4"x9	1
7	51.1200.41 51.1204.41	Testata Ø 15 Testata Ø 18	1 1
8	96.6938.00	Rondella Ø 6.4x10x0.7	8
9	99.1943.00	Vite M6x40 UNI 5931	8
10	90.3841.00	OR Ø 17.13x2.62 (3068)	123
11	36.2003.66	Sede valvola	123
12	36.2001.76	Valvola sferica	123
13	94.7376.00	Molla Ø 9.4x14.8	123
14	36.2025.51	Guida valvola	123
15	90.3847.00	OR Ø 20.24x2.62 (3081)	157
16	98.2216.00	Tappo M24x1.5x11.2	157

POS	COD.	DESCRIZIONE – DESCRIPTION - KIT	NR
17	36.7115.01	Gruppo valvola aspiraz. / mand.	123
18	51.1000.51 51.1001.51	Anello di testa Ø 15 Anello di testa Ø 18	96-97 140-141
19	90.2620.00 90.2681.00	Anello ten. alt. Ø 15x25x5/3.1 Anello ten. alt. Ø 18x26x5/3	96-97 140-141
20	51.0800.70 51.0803.70	Anello di fondo Ø 15 Anello di fondo Ø 18	86-96 139-140
21	90.3604.00	OR Ø 25.12x1.78 (2100) 139-140-141	86-96-97
22	90.3835.00 90.3843.00	OR Ø 15.08x2.62 (119) OR Ø 17.86x2.62 (123)	86-96-97 139-140-141
23	97.5968.00	Spia livello olio	1
24	91.8014.00	Boccola a rullini	1
25	98.2103.00	Tappo carico olio	1
26	92.2216.00	Dado M8x13x5 – INOX	3
27	44.2115.70	Rosetta Ø 8 con collare	3
28	51.0400.09 51.0401.09	Pistone Ø 15x25 Pistone Ø 18x25	3 3
29	90.3573.00	OR Ø 5.28x1.78 (2021)	3
30	90.5022.00	Anello antiest. Ø 6.2x9x1.5	3
31	96.7070.00	Rosetta Ø 9x23x0.5	3
32	97.7310.00	Spinotto Ø 8x24.5	3
33	51.1600.22	Coperchio posteriore	1
34	99.1867.00	Vite M6x18 UNI 5931	4
35	90.3917.00	OR Ø 88.57x2.62 (3350)	1

POS	COD.	DESCRIZIONE – DESCRIPTION - KIT	NR
36	51.0301.22	Biella	3
37	51.0500.56	Guida pistone	3
38	91.4877.00	Linguetta 8x7x25 UNI 6604	1
39	99.1807.00	Vite M6x10 UNI 5937	4
40	50.1500.74	Coperchio carter	1
41	50.2115.51	Distanziale	1
42	90.4097.00	OR Ø 55.56x3.53 (159)	1
43	90.1634.00	Anello rad. Ø 25x42x7	1
44	90.0635.00	Anello seeger Ø 25	1
45	91.8328.00	Cuscinetto a sfere 6305	1
	51.0217.65 TT1512	Albero - W1208 - WW1510 – T1209	1
	51.0204.65	Albero - W1210 – W1507 -WW1513 T1210 – T1508	1
46	51.0200.65 51.0201.65 51.0206.65 51.0224.65	Albero - WW1508 – TT1510 Albero - WW1511 – TT1513 Albero - WW1509 – TT1511 Albero - TT1508	1 1 1 1

## VERSION A (for electric motors NEMA 56 C)

**W905 – WW906 – WW907  
T9051 – TT9061 – TT9071  
T1209 – T1212 – T1508**



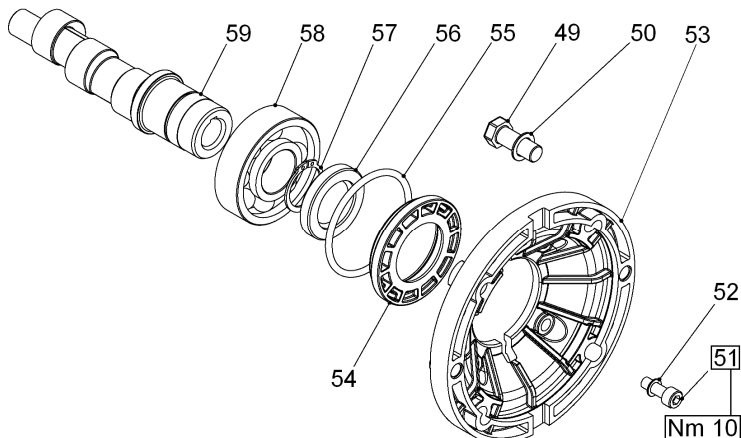
DIS. COD. 51.9517.00

POS	COD.	DESCRIZIONE - DESCRIPTION	NR
38	99.3345.00	Vite 3/8"x16	4
39	96.7104.00	Rosetta Ø 10,5x16x1	4
40	99.1867.00	Vite M6x18 UNI 5931	4
41	96.6938.00	Rosetta Ø 6.4x10x0.7	4
42	10.0344.22	Flangia per motore elettrico	1
43	50.2115.51	Distanziale	1
44	90.4097.00	OR Ø 55.56x3.53 (159)	1
45	90.1644.00	Anello rad. Ø 30x42x7	1
46	90.0667.00	Anello di fermo albero Ø 30	1
47	91.8373.00	Cuscinetto a sfere 6206	1
48	51.0208.65 51.0209.65 51.0215.65 51.0225.65	Albero – WW906 – TT9061 Albero – WW907 – TT9071 Albero – W905 – T9051 – T1212 T1508 Albero – T1209	1 1 1 1

**SERIE 51**

## VERSION B (for electric motors IEC 90 B14)

**WW55 – WW56 – WW74 – WW75  
WW90 – WW93 – WW94 – WW95  
W1208 – W1210 – W1507 – WW1508  
WW1510 – WW1511 – WW1513 - TT551  
TT561 – TT741 – TT751 – TT901 – TT931  
TT941 – TT951**



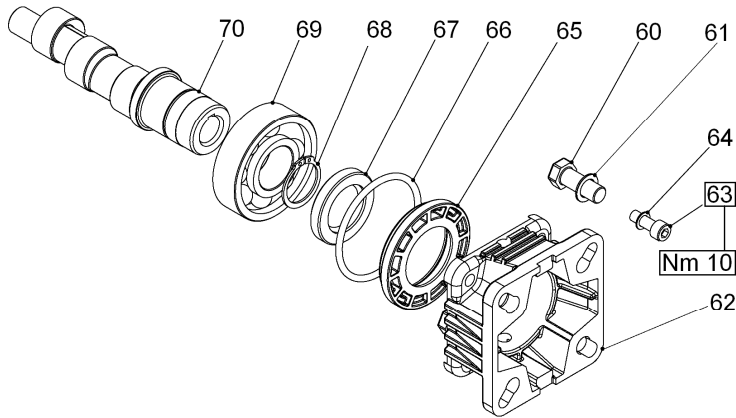
DIS. COD. 51.9518.00

POS	COD.	DESCRIZIONE - DESCRIPTION	NR
49	99.3067.00	Vite M8x25 UNI 5739	4
50	96.7014.00	Rosetta Ø 8.4x13x0.8	4
51	99.1867.00	Vite M6x18 UNI 5931	4
52	96.6938.00	Rosetta Ø 6.4x10x0.7	4
53	10.0345.22	Flangia per motore elettrico	1
54	50.2115.51	Distanziale	1
55	90.4097.00	OR Ø 55.56x3.53 (159)	1
56	90.1644.00	Anello rad. Ø 30x42x7	1
57	90.0667.00	Anello di fermo Ø 30	1
58	91.8373.00	Cuscinetto a sfere 6206	1
59	51.0212.65 51.0213.65 51.0214.65 51.0216.65	Albero – WW55/74/90 TT551/741/901 – WW1508 Albero – WW56/75/93 TT561/751/631 – WW1511 Albero – WW94 – TT941 – W1210 W1507 – WW1513 Albero – WW95 – TT951 – W1208 WW1510	1 1 1 1

**SERIE 51**

# VERSION C (for gasoline engines SAE J 609 type A ext.3)

**WW906 – WW907 – WW909  
TT9061 – TT9071 – TT9091 - TT1508  
TT1510 – TT1511 – TT1512 – TT1513**



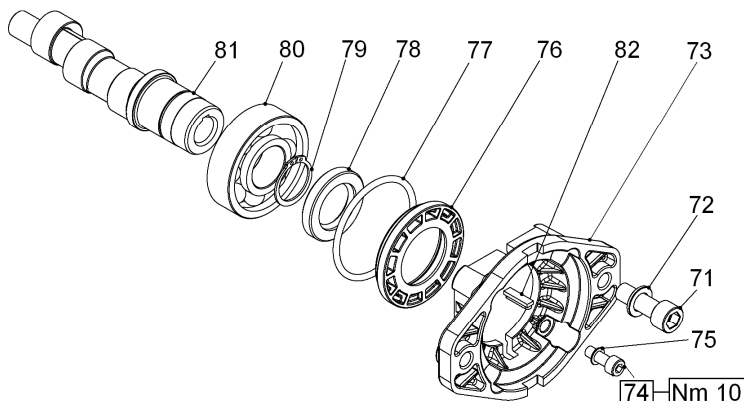
DIS. COD. 51.9519.00

POS	COD.	DESCRIZIONE - DESCRIPTION	NR
60	99.2730.00	Vite 5/16"x3/4"x24	4
61	96.7014.00	Rosetta Ø 8.4x13x0.8	4
62	10.0346.22	Flangia per motore a scoppio	1
63	99.1867.00	Vite M6x18 UNI 5931	4
64	96.6938.00	Rosetta Ø 6.4x10x0.7	4
65	50.2115.51	Distanziale	1
66	90.4097.00	OR Ø 55.56x3.53 (159)	1
67	90.1644.00	Anello rad. Ø 30x42x7	1
68	90.0667.00	Anello di fermo albero Ø 30	1
69	91.8373.00	Cuscinetto a sfere 6206	1
70	51.0210.65	Albero - WW906 - TT9061 - TT1508	1
	51.0211.65	Albero - WW907 - TT9071 - TT1511	1
	51.0218.65	Albero - WW909 - TT9091 - TT1513	1
	51.0223.65	Albero - TT1510	1
	51.0221.65	Albero - TT1512	1

**SERIE 51**

# VERSION I (for hydraulic motors SAE J 744 type A – 5/8")

**WW1513**



DIS. COD. 51.9585.00

POS	COD.	DESCRIZIONE - DESCRIPTION	NR
71	99.3686.00	Vite M10x30 UNI 5931	2
72	96.7103.00	Rosetta Ø 10.5x18x2	2
73	10.0763.22	Flangia per motore idraulico	1
74	99.1867.00	Vite M 6x18 UNI 5931	4
75	96.6938.00	Rosetta Ø 6.4x10x0.7	4
76	50.2115.51	Distanziale	1
77	90.4097.00	OR Ø 55.56x3.53 (159)	1
78	90.1644.00	Anello rad. Ø 30x42x7	1
79	90.0667.00	Anello di fermo albero Ø 30	1
80	91.8373.00	Cuscinetto a sfere 6206	1
81	51.0215.65	Albero - WW1513	1
82	91.4685.00	Linguetta 4/4.8x18	1

**SERIE 51**

# VH VERSION

VERSIONE CON VALVOLA DI REGOLAZIONE AUT. – VERSION WITH BUILT-IN AUT. UNLOADER  
 VERSION AVEC RÉGULATEUR AUT. DE PRESSION INCORPORÉ  
 AUSFÜHRUNG MIT EINGEBAUTEM AUT. DRUCKREGULIERVENTIL

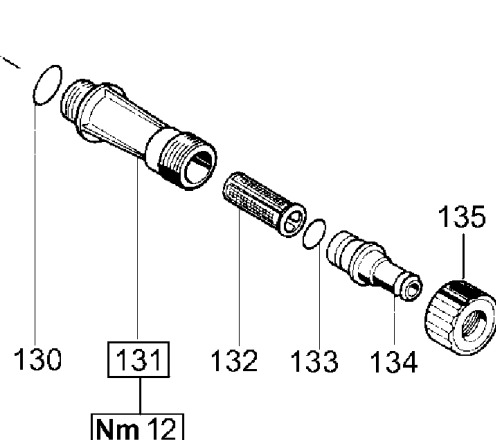
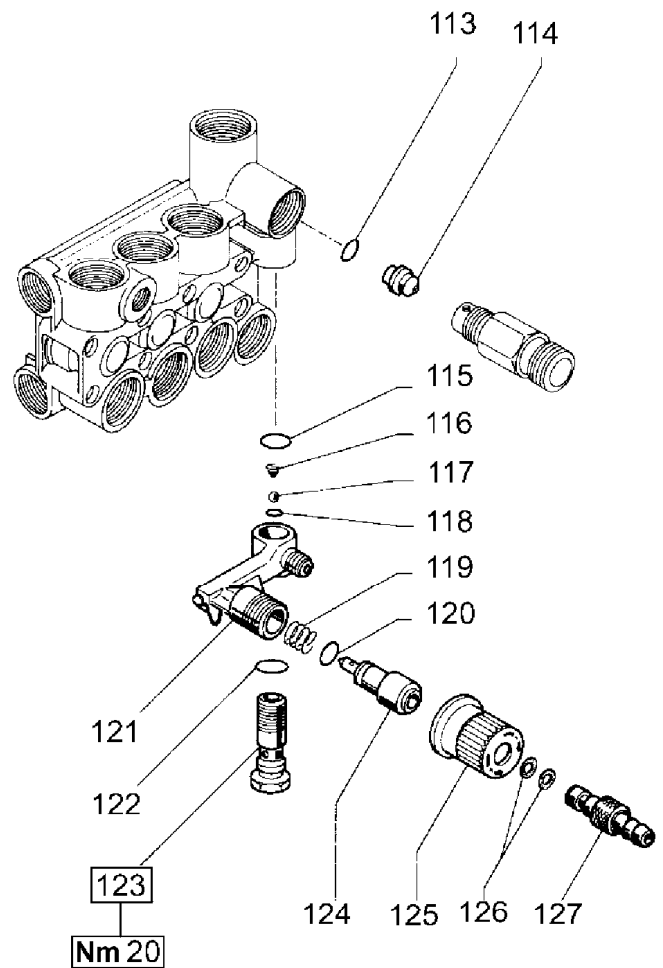
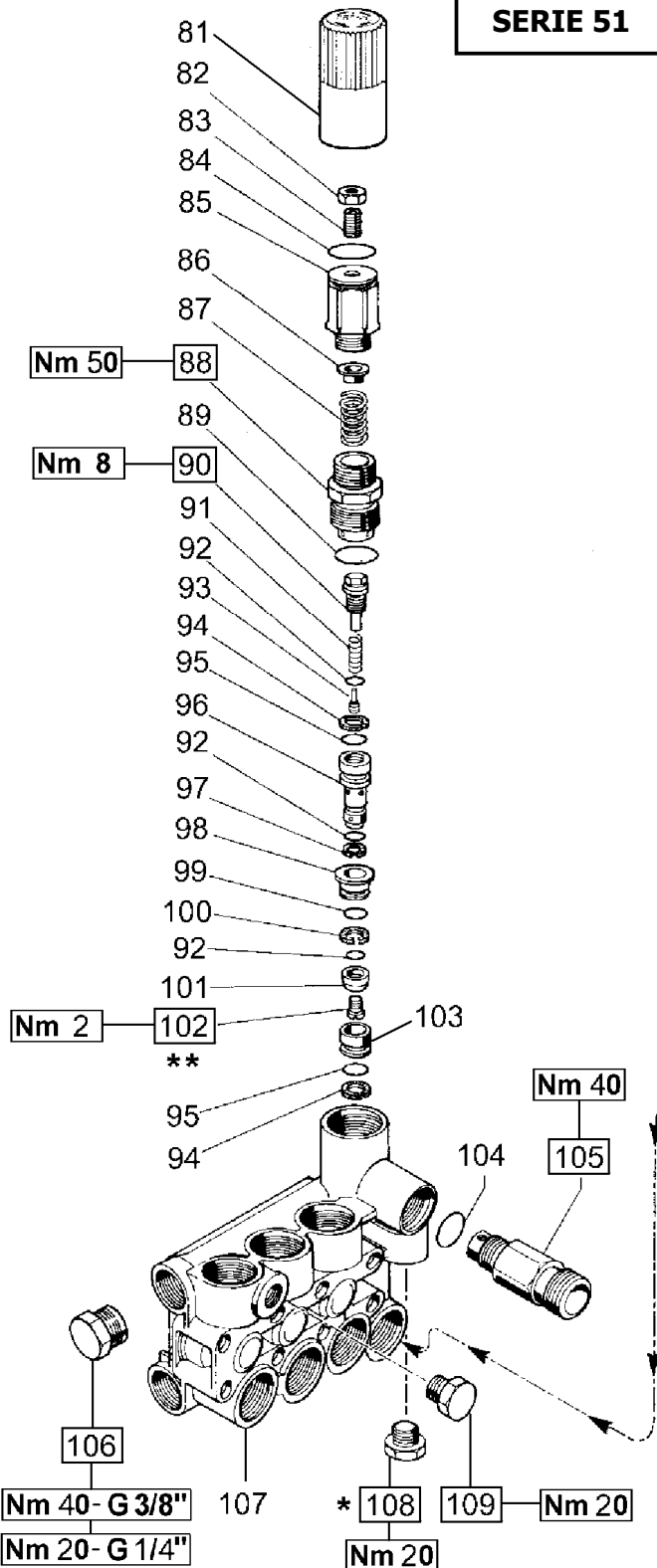
VERSIÓN CON REGULADOR AUT. DE PRESIÓN INCORPORADO - VERSÃO COM VÁLVULA DO REGULAMENTO AUT.

- \* Fissare con Loctite 542 col. ROSSO
- \* Affix with Loctite 542 col. RED
- \* Fixer avec de la Loctite 542 couleur ROUGE
- \* Mit Loctite 542 ROT befestigen
- \* Fijar con Loctite 542 col. ROJO
- \* Fixar com Loctite 542 cor. VERMELHA

- \*\* Fissare con Loctite 270 col. VERDE
- \*\* Affix with Loctite 270 col. GREEN
- \*\* Fixer avec de la Loctite 270 couleur VERT
- \*\* Mit Loctite 270 GRÜN befestigen
- \*\* Fijar con Loctite 270 col. VERDE
- \*\* Fixar com Loctite 270 cor. VERDE

## SERIE 51

## OPTIONALS



DIS. COD. 51.9571.00

# VH VERSION

**VERSIONE CON VALVOLA DI REGOLAZIONE AUT. – VERSION WITH BUILT-IN AUT. UNLOADER  
VERSION AVEC RÉGULATEUR AUT. DE PRESSION INCORPORÉ  
AUSFÜHRUNG MIT EINGEBAUTEM AUT. DRUCKREGULIERVENTIL  
VERSIÓN CON REGULADOR AUT. DE PRESIÓN INCORPORADO - VERSÃO COM VÁLVULA DO REGULAMENTO AUT.**

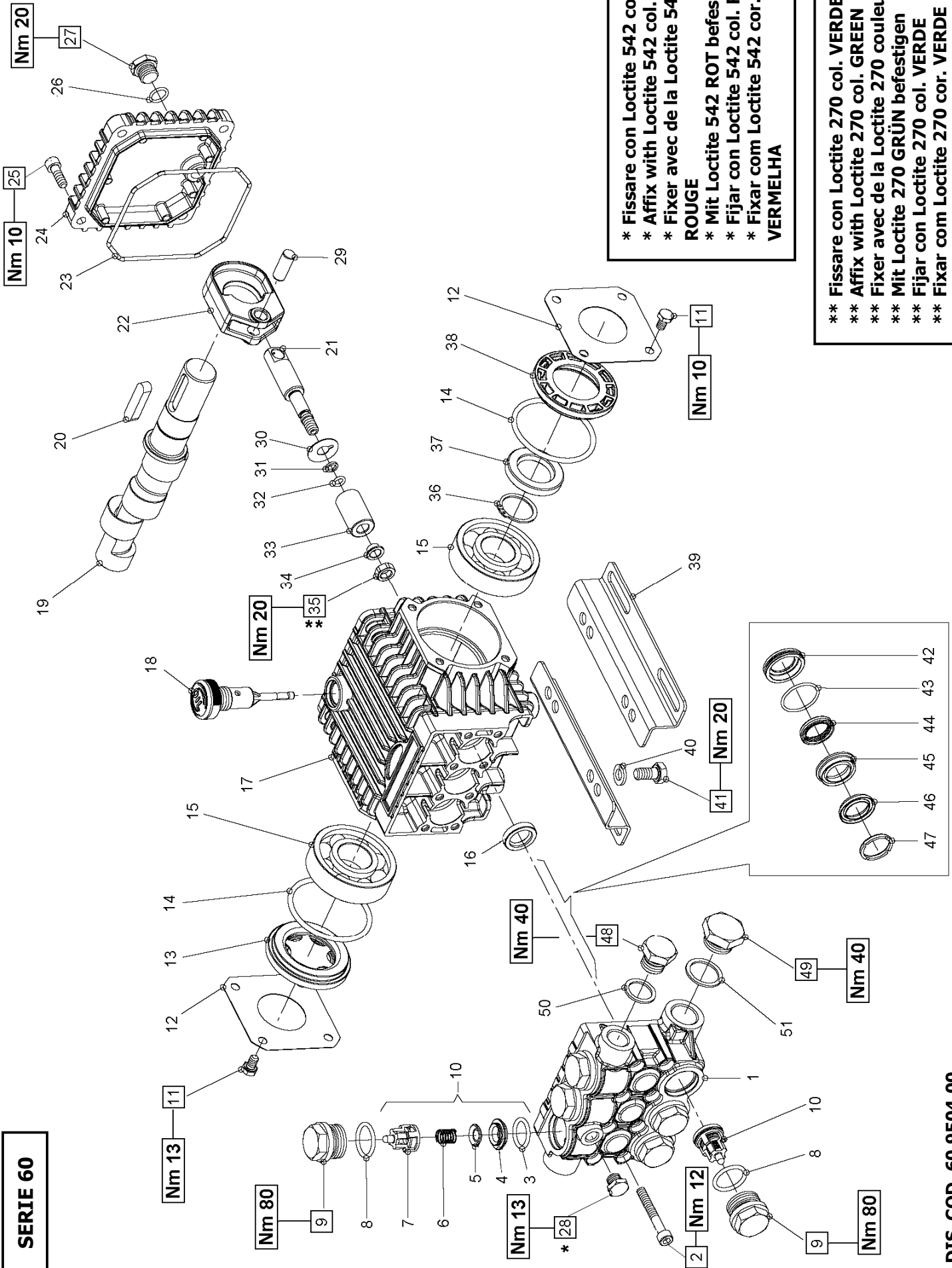
POS	COD.	DESCRIZIONE – DESCRIPTION - KIT	N
81	36.3187.51	Pomolo	1
82	92.2218.00	Dado M8x13 UNI 5589	1
83	99.3054.00	Vite M8x20 UNI 5923	1
84	90.3598.00	OR Ø 20.35x1.78 (2081)	1
85	36.3185.70	Registro pressione	1
86	36.3169.70	Piattello molla	1
87	94.7436.00	Molla Ø 15x35	1
88	36.3184.70	Boccola di guida 102	1
89	90.3847.00	OR Ø 20.24x2.62 (3081) – 90 Sh. 102	1
90	36.3188.70	Fine corsa 102	1
91	94.7332.00	Molla Ø 6.1x19 102	1
92	90.3575.00	OR Ø 6.75x1.78 (106) 102	3
93	36.3331.51	Otturatore 102	1
94	90.5065.00	Anello antiest. Ø 10.6x15x2 102	2
95	90.3822.00	OR Ø 9.92x2.62 (112) 102	2
96	36.3189.70	Pistoncino di comando 102	1
97	90.5025.00	Anello antiest. Ø 7x10x1.5 102	1
98	36.3165.70	Guida valvola 102	1
99	90.3589.00	OR Ø 12.42x1.78 (2050) 102	1
100	90.5075.00	Anello antiest. Ø 13x16x1.5 102	1
101	36.3190.66	Valvola sferica 102	1
102	99.1509.00	Vite M5x0.8x8.5 102	1
103	36.3164.66	Sede valvola 102	1
104	90.3832.00	OR Ø 13.95x2.62 (3056) 94	1
105	10.0147.70 10.0078.70 70.0318.70	Nipplo M22x1.5 con Ø 3 Nipplo G 3/8" con Ø 3 Nipplo 3/8" NPT con Ø 3 - USA	1 1 1
106	98.2041.00	Tappo G 1/4"x9	1
107	51.1201.41 51.1205.41	Testata Ø 15 Testata Ø 18	1 1
108	98.2057.00	Tappo M14x1.5	1
109	98.2041.00	Tappo G 1/4"x9	1

OPTIONALS			
POS	COD.	DESCRIZIONE – DESCRIPTION - KIT	N
113	90.3822.00	OR Ø 9.92x2.62 (112) 94	1
114	10.0151.66 10.0076.66	Ugello Ø 2 (8÷11 l/min.) Ugello Ø2.2 (12÷15 l/min.)	1 1
115	90.3582.00	OR Ø 9.25x1.78 (2037) 94	1
116	94.8217.00	Molla conica Ø 4.3/7.6x11 94	1
117	97.4782.00	Sfera Ø 7/32" 94	1
118	90.3572.00	OR Ø 5.28x1.78 (2021) 94	1
119	94.7383.00	Molla Ø 9.75x10 94	1
120	90.3580.00	OR Ø 8.73x1.78 (108) 94	1
121	36.3181.51	Corpo dosatore	1
122	90.3585.00	OR Ø 10.82x1.78 (2043) 94	1
123	36.2563.70	Sede valvola	1
124	36.2564.70	Otturatore	1
125	36.2565.51	Pomolo	1
126	90.3570.00	OR Ø 4.48x1.78 (2018) 94	2
127	36.2566.70	Innesto porta-gomma	1
130	90.3841.00	OR Ø 17.13x2.62 (3068)	1
131	36.3182.51	Nipplo aspirazione G 3/4"	1
132	92.8925.00	Filtro	1
133	90.3828.00	OR Ø 12.37x2.62 (3050)	1
134	36.2569.70	Porta-gomma aspirazione	1
135	92.9828.00	Ghiera G 3/4"	1

## KIT RICAMBI – SPARE KITS

KIT NR.	KIT 94	KIT 102
<b>Posizioni include Positions included</b>	<b>104 – 113 – 115 116 – 117 – 118 119 – 120 – 122 126</b>	<b>88 – 89 – 90 91 – 92 – 93 94 – 95 – 96 97 – 98 – 99 100 – 101 102 – 103</b>
<b>Nr. Pcs.</b>	<b>1</b>	<b>1</b>


**SERIE 60**



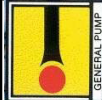
\* Fissare con Loctite 542 col. ROSSO  
 \* Affix with Loctite 542 col. RED  
 \* Fixer avec de la Loctite 542 couleur ROUGE  
 \* Mit Loctite 542 ROT befestigen  
 \* Fijar con Loctite 542 col. ROJO  
 \* Fixar com Loctite 542 cor. VERMELHA

\*\* Fissare con Loctite 270 col. VERDE  
 \*\* Affix with Loctite 270 col. GREEN  
 \*\* Fixer avec de la Loctite 270 couleur VERT  
 \*\* Mit Loctite 270 GRÜN befestigen  
 \*\* Fijar con Loctite 270 col. VERDE  
 \*\* Fixar com Loctite 270 cor. VERDE





**EL1707 - EL1708 - EL1510 - EL1513  
UL1708 - UL1509 - UL1710 - UL1512  
EH1708 - EH1710 - EH1711 - EH1713  
UH1708 - UH1710 - UH1712 - UH1713**



PISTONE - PISTON Ø15		PISTONE - PISTON Ø18	
<b>EL1707 - EL1708 UL1708 - UL1710 EH1708 - EH1710 EH1711 - EH1713 UH1708 - UH1710 UH1712 - UH1713</b>		<b>EL1510 - EL1513 UL1509 - UL1512</b>	

### KIT RICAMBI - SPARE KITS

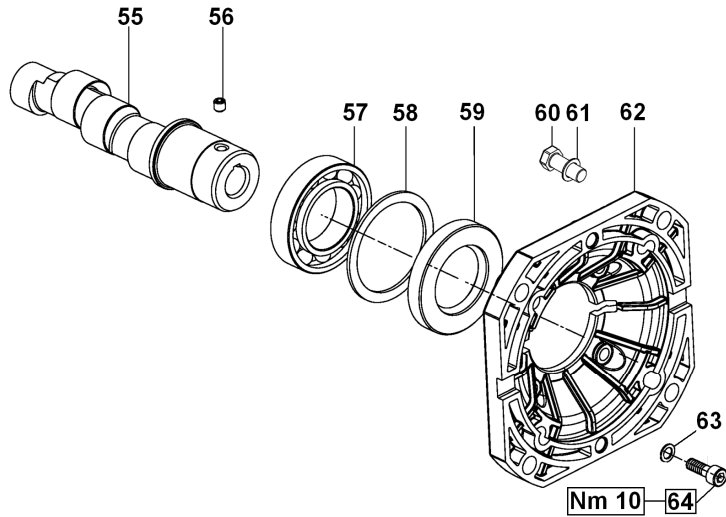
KIT Nr.	KIT 83	KIT 123	PISTONE - PISTON Ø15			PISTONE - PISTON Ø18				
			KIT 196	KIT 198	KIT 200	KIT 226	KIT 197	KIT 225	KIT 227	
Posizioni include Positions included	16	3-4 5-6 7 (10)	44-46 47	45	42-43	42-43 44-45 46-47	44-46 47	45	42-43	42-43 44-45 46-47
Nr. Pcs.	3	6	3	3	3	1	3	3	3	1

POS	COD.	DESCRIZIONE - DESCRIPTION - KIT	NR	POS	COD.	DESCRIZIONE - DESCRIPTION - KIT	NR
15	91.8328.00	Cuscinetto a sfere 6305	2	34	44.2115.70	Rosetta con collare Ø 8	3
16	90.1565.00	Anello rad. Ø 15x24x5	83	35	92.2216.00	Dado M8x13x5	3
17	60.0100.22	Carter pompa	1	36	90.0635.00	Anello seeger Ø 25 UNI 7435	1
18	98.2103.00	Tappo carico olio G 3/8"	1	37	90.1634.00	Anello rad. Ø 25x42x7	1
19	60.0202.65	Albero ecc. - UH1708	1	38	50.2115.54	Distanziale	1
	60.0204.65	Albero ecc. - EH1708-UH1710	1	39	50.2000.74	Piedini pompa	2
	60.0207.65	Albero ecc. - UL1509-EH1710-UH1712	1				
	60.0209.65	Albero ecc. - EH1711-UH1713	1	40	96.7016.00	Rosetta Ø 8,4 UNI 1751	4
	60.0212.65	Albero ecc. - EL1707-EL1510-UL1708 UL1512-EH1713	1	41	99.3037.00	Vite M8x16 UNI 5739	4
20	91.4892.00	Linguetta 8x7x35 UNI 6604	1	42	60.0800.70	Anello di fondo Ø 15	3
21	60.0500.66	Guida pistone	3		60.0801.70	Anello di fondo Ø 18	3
	60.0300.22	Biella	3	43	90.3604.00	OR Ø 25.12x1.78 (2100) 200-225-226-227	3
23	90.3918.00	OR Ø 94.92x2.62 (3375)	1	44	90.2608.00	Anello ten. alt. Ø 15x22x5 LP 196-226	3
24	60.1600.22	Coperchio posteriore carter	1				90.2650.00
25	99.1867.00	Vite M6x18 UNI 5931	4	45	60.2160.70	Anello intermedio Ø 15	3
26	90.3585.00	OR Ø 10.82x1.78 (2043)	1				60.2161.70
27	98.2041.00	Tappo G 1/4"x9	1	46	90.2620.00	Anello ten. alt. Ø 15x25x5/3.1 HP	3
28	98.1966.00	Tappo G 1/8"x8	1				90.2681.00
29	97.7333.00	Spinotto Ø 9x24.5	3	47	51.1000.51	Anello di testa Ø 15	3
30	96.7070.00	Rosetta Ø 9x23x0.5	3				51.1001.51
31	90.5022.00	Anello antiest. Ø 6.2x9x1.5	3	48	98.2100.00	Tappo G 3/8"x13	1
32	90.3573.00	OR Ø 5.28x1.78 (2021)	3	49	98.2176.00	Tappo G 1/2"x10	1
33	60.0400.09	Pistone Ø 15x30	3	50	96.7380.00	Rosetta Ø 17.5x23x1.5	1
	60.0401.09	Pistone Ø 18x30	3			51	96.7514.00

POS	COD.	DESCRIZIONE - DESCRIPTION - KIT	NR
1	60.1200.41	Testata pompa Ø 15	1
	60.1201.41	Testata pompa Ø 18	1
2	99.1950.00	Vite M6x45 UNI 5931	8
3	90.3841.00	OR Ø 17.13x2.62 (3068)	123
4	36.2003.66	Sede valvola	123
5	36.2001.76	Valvola	123
6	94.7376.00	Molla Ø 9.4x14.8 - INOX	123
7	36.2025.51	Guida valvola	123
8	90.3847.00	OR Ø 20.24x2.62 90 Sh. (3081)	6
9	98.2214.00	Tappo valvola M24x1.5	6
10	36.7115.01	Gruppo valvola aspiraz./mandata	123
11	99.1807.00	Vite M6x10 UNI 5739	8
12	50.1500.74	Coperchio laterale carter	2
13	44.2118.01	Distanziale con indicatore	1
14	90.4097.00	OR Ø 55.56x3.53 (159)	2

## VERSION A (for electric motors NEMA 56 C)

**UL1708 – UL1509 – UL1512  
UH1708 – UH1711 – UH1712**



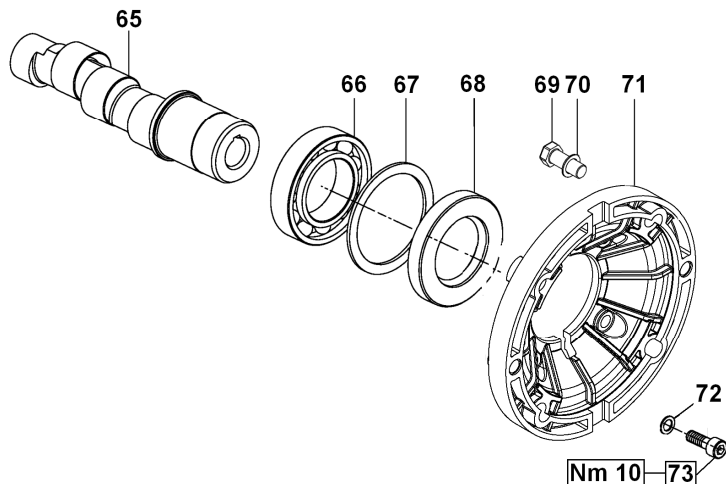
DIS. COD. 60.9503.00

POS	COD.	DESCRIZIONE - DESCRIPTION	NR
55	60.0224.65	Albero ecc. – UH1708	1
	60.0227.65	Albero ecc. – UH1711	1
	60.0229.65	Albero ecc. – UL1509 - UH1712	1
	60.0234.65	Albero ecc. – UL1708 - UL1512	1
56	99.1790.00	Vite M6x6 UNI 5929	1
57	91.8464.00	Cuscinetto a sfere 6007	1
58	60.2101.89	Rondella distanziale	1
59	90.1675.00	Anello rad. Ø 35x62x10	1
60	99.3345.00	Vite 3/8"x16	4
61	96.7104.00	Rondella Ø 10.5x16x1	4
62	10.0344.22	Flangia per motore elettrico	1
63	96.6938.00	Rondella Ø 6.4x10x0.7	4
64	99.1867.00	Vite M6x18 UNI 5931	4

**SERIE 60**

## VERSION B (for electric motors IEC 90 B14)

**EL1707 – EL1708 – EL1510 – EL1513  
EH1708 – EH1710 – EH1711 – EH1713**



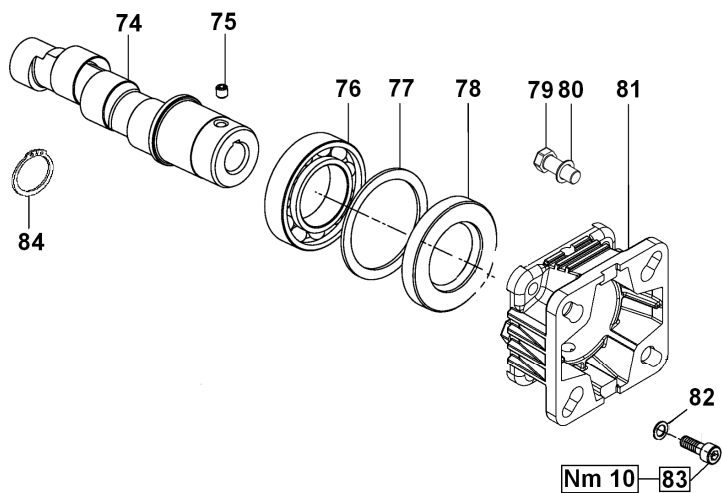
DIS. COD. 60.9504.00

POS	COD.	DESCRIZIONE - DESCRIPTION	NR
65	60.0248.65	Albero ecc. – EH1708	1
	60.0251.65	Albero ecc. – EH1710	1
	60.0253.65	Albero ecc. – EH1711	1
	60.0256.65	Albero ecc. – EL1510 – EL1707 EH1713	1
	60.0261.65	Albero ecc. – EL1513 – EL1708	1
66	91.8464.00	Cuscinetto a sfere 6007	1
67	60.2101.89	Rondella distanziale	1
68	90.1675.00	Anello rad. Ø 35x62x10	1
69	99.3067.00	Vite M8x25 UNI 5739	4
70	96.7014.00	Rondella Ø 8.4x13x0.8	4
71	10.0345.22	Flangia per motore elettrico	1
72	96.6938.00	Rondella Ø 6.4x10x0.7	4
73	99.1867.00	Vite M6x18 UNI 5931	4

**SERIE 60**

# VERSION C (for gasoline engines SAE J 609 type A ext.3)

## UH1708 – UH1711 – UH1712 – UH1713



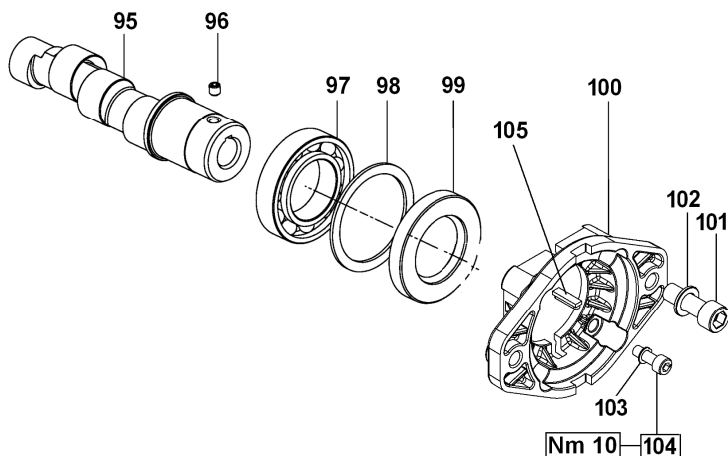
DIS. COD. 60.9505.00

POS	COD.	DESCRIZIONE - DESCRIPTION	NR
74	60.0268.65	Albero ecc. – UH1708	1
	60.0271.65	Albero ecc. – UH1711	1
	60.0273.65	Albero ecc. – UH1712	1
	60.0275.65	Albero ecc. – UH1713	1
75	99.1790.00	Vite M6x6 UNI 5929	1
76	91.8464.00	Cuscinetto a sfere 6007	1
77	60.2101.89	Rondella distanziale	1
78	90.1675.00	Anello rad. Ø 35x62x10	1
79	99.2730.00	Vite 5/16"x3/4"x24	4
80	96.7014.00	Rondella Ø 8.4x10x0.8	4
81	10.0652.22	Flangia per motore a scoppio	1
82	96.6938.00	Rondella Ø 6.4x10x0.7	4
83	99.1867.00	Vite M6x18 UNI 5931	4
84	90.0635.00	Anello seeger Ø 25 UNI 7435	1

**SERIE 60**

# VERSION I (for hydraulic motors SAE J 744 type A – 5/8")

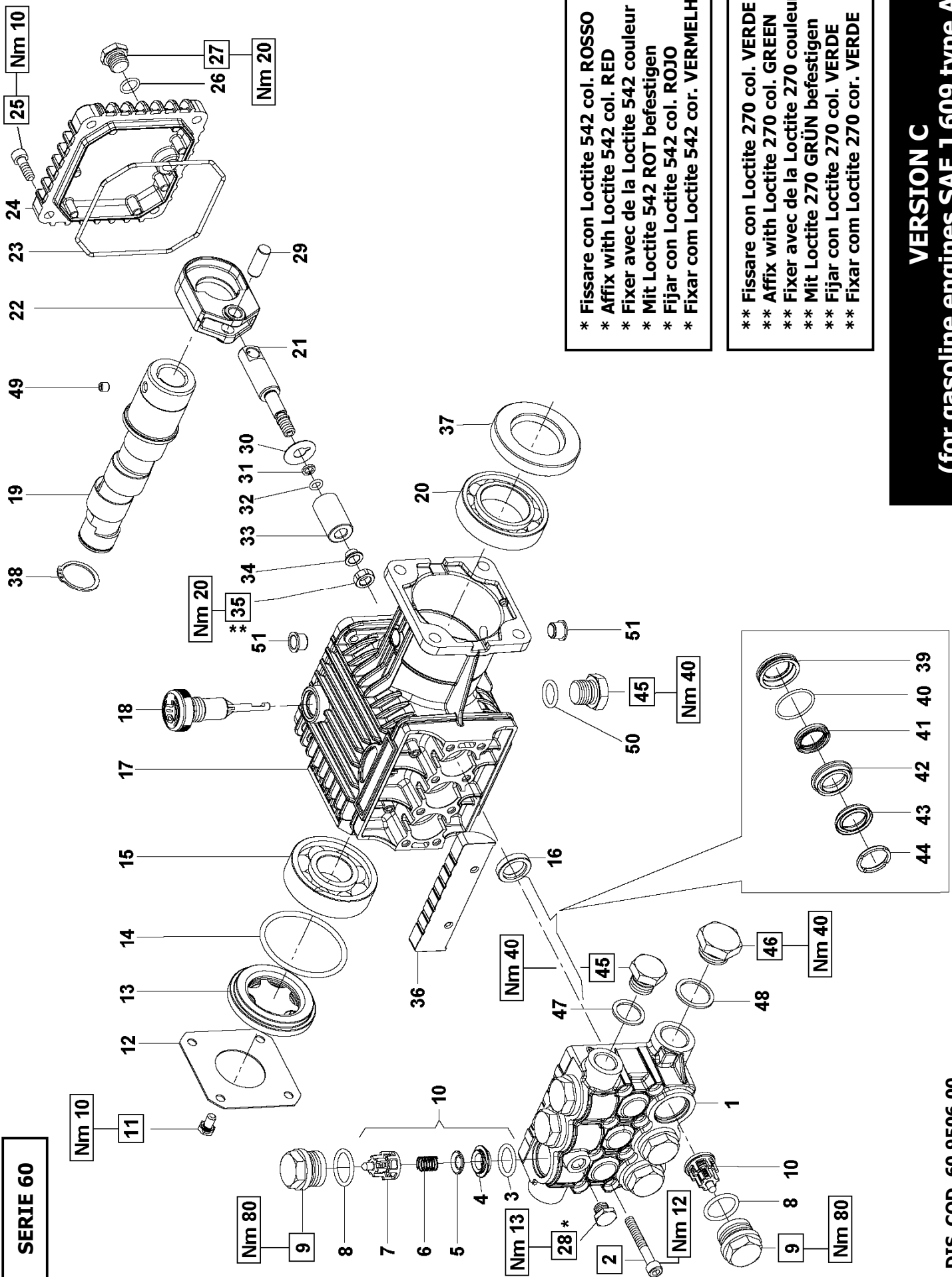
## UL1512



POS	COD.	DESCRIZIONE - DESCRIPTION	NR
95	60.0234.65	Albero ecc. – UL1512	1
96	99.1790.00	Vite M6x6 UNI 5929	1
97	91.8464.00	Cuscinetto a sfere 6007	1
98	60.2101.89	Rondella distanziale	1
99	90.1675.00	Anello rad. Ø 35x62x10	1
100	10.0763.22	Flangia per motore idraulico	1
101	99.3686.00	Vite M10x30 UNI 5931	2
102	96.7103.00	Rosetta Ø 10.5x18x2	2
103	96.6938.00	Rosetta Ø 6.4x10x0.7	4
104	99.1867.00	Vite M6x18 UNI 5931	4
105	91.4685.00	Linguetta 4/4.8x18	1

**SERIE 60**

**SERIE 60**



\* Fissare con Loctite 542 col. ROSSO  
 \* Affix with Loctite 542 col. RED  
 \* Fixer avec de la Loctite 542 couleur ROUGE  
 \* Mit Loctite 542 ROT befestigen  
 \* Fijar con Loctite 542 col. ROJO  
 \* Fixar com Loctite 542 cor. VERMELHA

\*\* Fissare con Loctite 270 col. VERDE  
 \*\* Affix with Loctite 270 col. GREEN  
 \*\* Fixer avec de la Loctite 270 couleur VERT  
 \*\* Mit Loctite 270 GRÜN befestigen  
 \*\* Fijar con Loctite 270 col. VERDE  
 \*\* Fixar com Loctite 270 cor. VERDE

**VERSION C**

**(for gasoline engines SAE J 609 type A ext.3)**

DIS. COD. 60.9506.00



# UH1708 – UH1711 UH1712 – UH1713

**(Flangia integrata / Built-in flange)**

POS	COD.	DESCRIZIONE – DESCRIPTION - KIT	NR
1	60.1200.41	Testata pompa Ø 15	1
2	99.1950.00	Vite M6x45 UNI 5931	8
3	90.3841.00	OR Ø 17.13x2.62 (3068)	123
4	36.2003.66	Sede valvola	123
5	36.2001.76	Valvola	123
6	94.7376.00	Molla Ø 9.4x14.8 – INOX	123
7	36.2025.51	Guida valvola	123
8	90.3847.00	OR Ø 20.24x2.62 90 Sh. (3081)	6
9	98.2214.00	Tappo valvola M24x1.5	6
10	36.7115.01	Gruppo valvola aspiraz./mandata	123
11	99.1807.00	Vite M6x10 UNI 5739	8
12	50.1500.74	Coperchio laterale carter	2
13	44.2118.01	Distanziale con indicatore	1
14	90.4097.00	OR Ø 55.56x3.53 (159)	2
15	91.8328.00	Cuscinetto a sfere 6305	2
16	90.1565.00	Anello rad. Ø 15x24x5	83
17	60.0101.22	Carter pompa	1
18	98.2103.00	Tappo carico olio G 3/8"	1
19	60.0268.65	Albero ecc. – UH1708	1
	60.0271.65	Albero ecc. – UH1711	1
	60.0273.65	Albero ecc. – UH1712	1
	60.0275.65	Albero ecc. – UH1713	1
20	91.8464.00	Cuscinetto a sfere 6007	1

## KIT RICAMBI – SPARE KITS

KIT Nr.	KIT 83	KIT 123	KIT 196	KIT 198	KIT 200	KIT 226
Posizioni include Positions included	16	3 - 4 5 - 6 7 (10)	41 - 43 44	42	39 - 40	39 - 40 41 - 42 43 - 44
Nr. Pcs.	3	6	3	3	3	1

POS	COD.	DESCRIZIONE – DESCRIPTION - KIT	NR
21	60.0500.66	Guida pistone	3
22	60.0300.22	Biella	3
23	90.3918.00	OR Ø 94.92x2.62 (3375)	1
24	60.1600.22	Coperchio posteriore carter	1
25	99.1878.00	Vite M6x20	4
26	90.3585.00	OR Ø 10.82x1.78 (2043)	1
27	98.2041.00	Tappo G 1/4"x9	1
28	98.1966.00	Tappo G 1/8"x8	1
29	97.7333.00	Spinotto Ø 9x24.5	3
30	96.7070.00	Rosetta Ø 9x23x0.5	3
31	90.5022.00	Anello antiest. Ø 6.2x9x1.5	3
32	90.3573.00	OR Ø 5.28x1.78 (2021)	3
33	60.0400.09	Pistone Ø 15x30	3
34	44.2115.70	Rosetta con collare Ø 8	3
35	92.2216.00	Dado M8x13x5	3
36	60.2100.51	Protezione	1
37	90.1675.00	Anello rad. Ø 35x62x10	1
38	90.0635.00	Anello seeger Ø 25 UNI 7435	1
39	60.0800.70	Anello di fondo Ø 15	200-226
40	90.3604.00	OR Ø 25.12x1.78 (2100)	200-226
41	90.2608.00	Anello ten. alt. Ø 15x22x5 LP	196-226
42	60.2160.70	Anello intermedio Ø 15	198-226

POS	COD.	DESCRIZIONE – DESCRIPTION - KIT	NR
43	90.2620.00	Anello ten. alt. Ø 15x25x5/3.1 HP	196-226
44	51.1000.51	Anello di testa Ø 15	196-226
45	98.2100.00	Tappo G 3/8"x13	1
46	98.2176.00	Tappo G 1/2"x10	1
47	96.7380.00	Rosetta Ø 17.5x23x1.5	1
48	96.7514.00	Rosetta Ø 21.5x27x1.5	1
49	99.1790.00	Vite M6x6 UNI 5929	1
50	90.3833.00	OR Ø 13.92x2.62 (3056)	1
51	98.2000.00	Tappo Ø11x14x9	2

# VH VERSION

VERSIONE CON VALVOLA DI REGOLAZIONE AUT. – VERSION WITH BUILT-IN AUT. UNLOADER  
 VERSION AVEC RÉGULATEUR AUT. DE PRESSION INCORPORÉ  
 AUSFÜHRUNG MIT EINGEAUTEM AUT. DRUCKREGULIERVENTIL

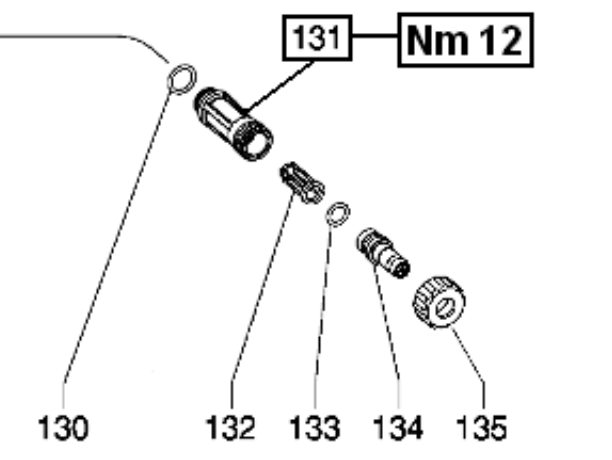
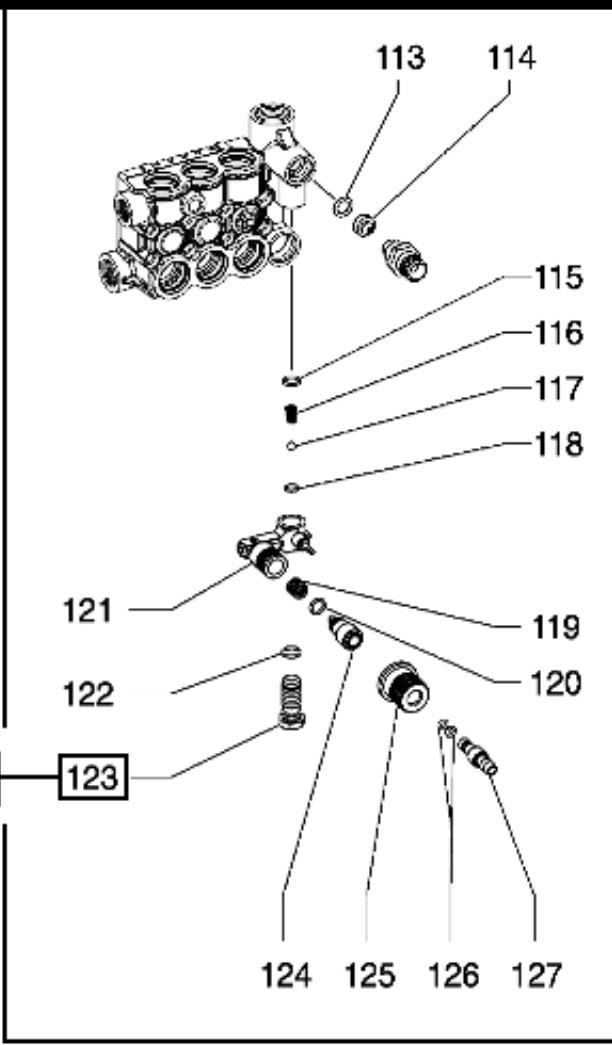
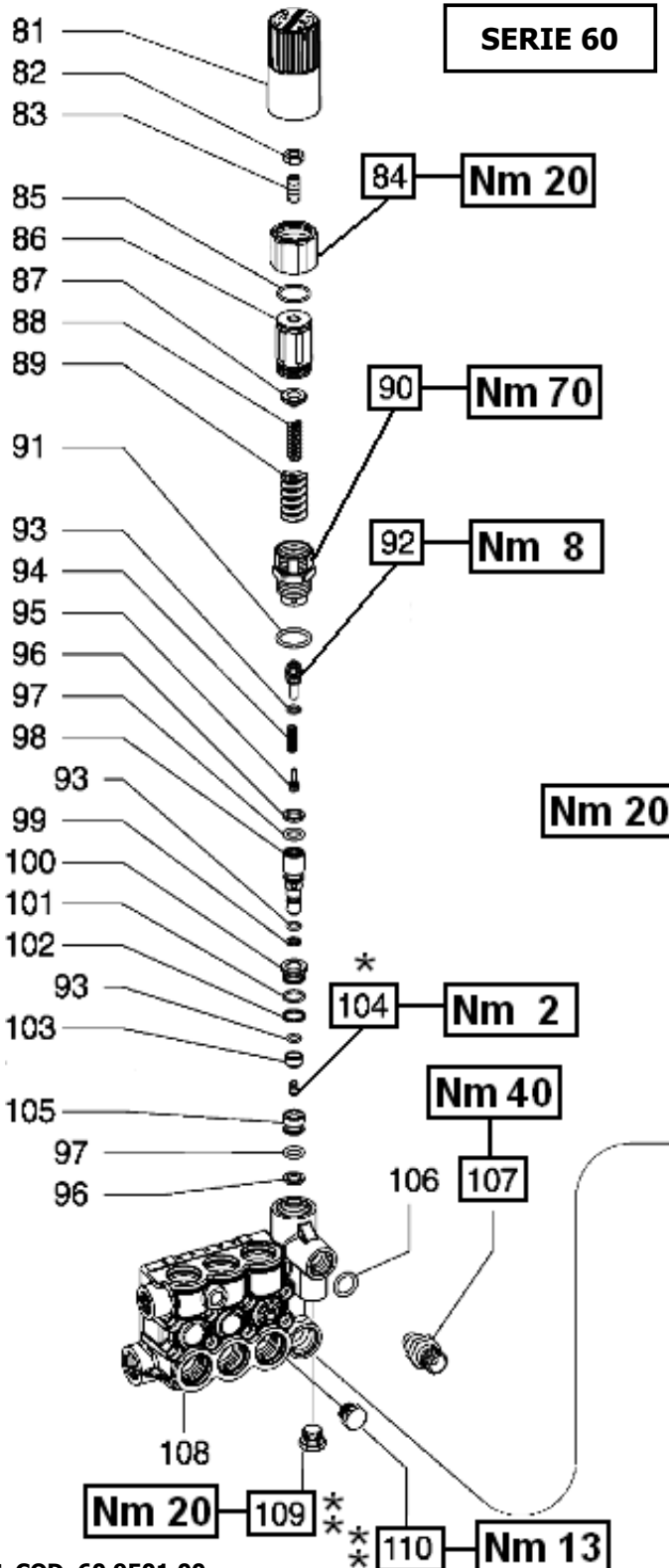
VERSIÓN CON REGULADOR AUT. DE PRESIÓN INCORPORADO - VERSÃO COM VÁLVULA DO REGULAMENTO AUT.

- \* Fissare con Loctite 542 col. ROSSO
- \* Affix with Loctite 542 col. RED
- \* Fixer avec de la Loctite 542 couleur ROUGE
- \* Mit Loctite 542 ROT befestigen
- \* Fijar con Loctite 542 col. ROJO
- \* Fixar com Loctite 542 cor. VERMELHA

- \*\* Fissare con Loctite 270 col. VERDE
- \*\* Affix with Loctite 270 col. GREEN
- \*\* Fixer avec de la Loctite 270 couleur VERT
- \*\* Mit Loctite 270 GRÜN befestigen
- \*\* Fijar con Loctite 270 col. VERDE
- \*\* Fixar com Loctite 270 cor. VERDE

## SERIE 60

## OPTIONALS



DIS. COD. 60.9501.00

# VH VERSION

**VERSIONE CON VALVOLA DI REGOLAZIONE AUT. – VERSION WITH BUILT-IN AUT. UNLOADER**  
**VERSION AVEC RÉGULATEUR AUT. DE PRESSION INCORPORÉ**  
**AUSFÜHRUNG MIT EINGEBAUTEM AUT. DRUCKREGULIERVENTIL**  
**VERSIÓN CON REGULADOR AUT. DE PRESIÓN INCORPORADO - VERSÃO COM VÁLVULA DO REGULAMENTO AUT.**

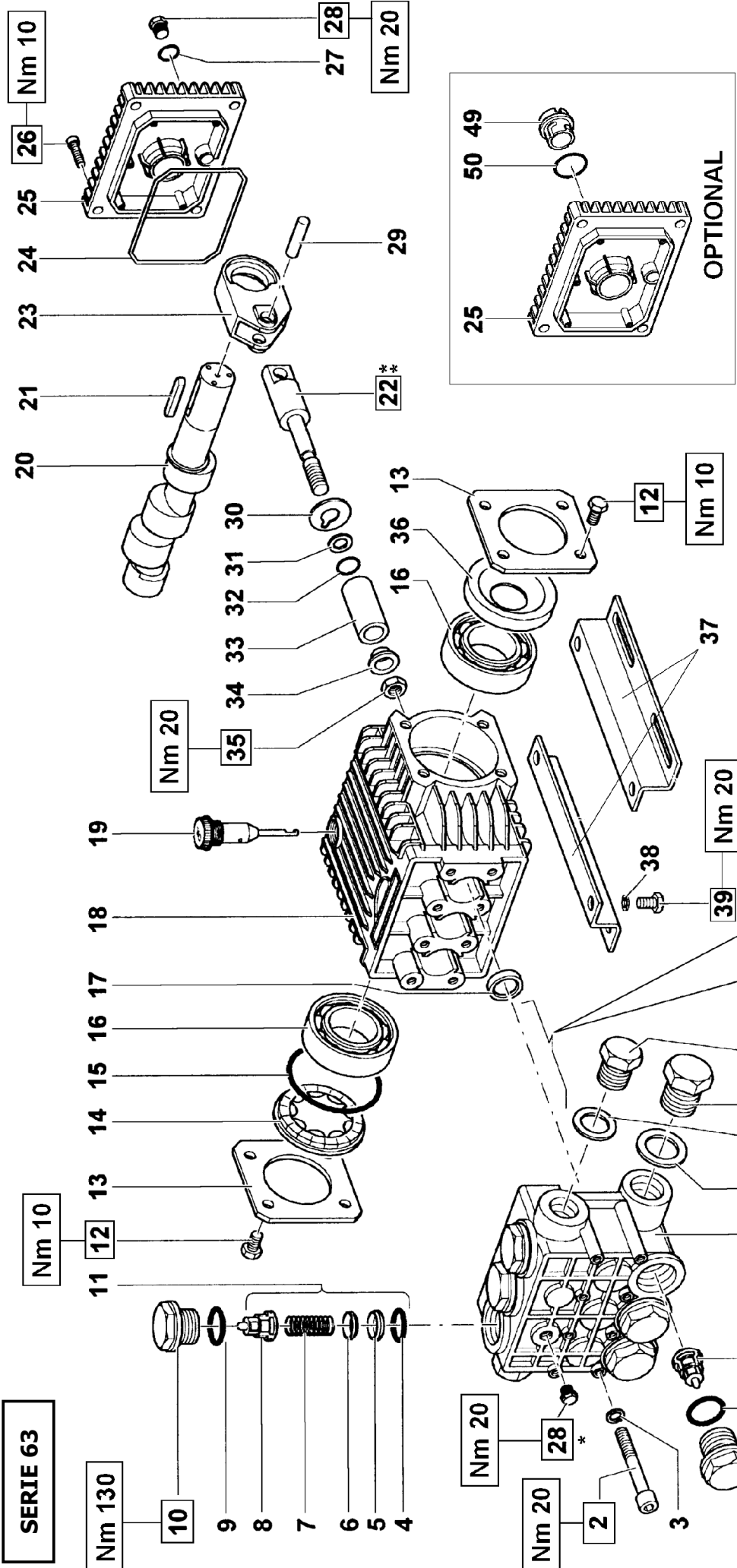
POS	COD.	DESCRIZIONE – DESCRIPTION - KIT	N
81	36.3187.51	Pomolo	1
82	92.2218.00	Dado M8x5x13	1
83	90.3054.00	Vite M8x20 UNI 5923	1
84	36.3316.70	Ghiera – OPTIONAL	1
85	36.3598.70	OR Ø 20.35x1.78 (2081)	1
86	36.3185.70	Registro pressione	1
87	36.3169.70	Piattello molla	1
88	94.7345.00	Molla Ø 7.6x29	1
89	94.7438.00	Molla Ø 6.1x19	1
90	36.3184.70	Boccola di guida 102	1
91	90.3847.00	OR Ø 20.24x2.62 Sh.90 (3081) 102	1
92	36.3188.70	Fine corsa 102	1
93	90.3575.00	OR Ø 6.75x1.78 (106) 102	3
94	94.7332.00	Molla Ø 6.1x19 102	1
95	36.3331.51	Otturatore 102	1
96	90.5065.00	Anello antiest. Ø 10.6x15x2 102	2
97	90.3822.00	OR Ø 9.92x2.62 (112) 102	2
98	36.3189.70	Pistoncino di comando 102	1
99	90.5025.00	Anello antiest. Ø 7x10x1.5 102	1
100	36.3165.70	Guida valvola 102	1
101	90.3589.00	OR Ø 12.42x1.78 (2050) 102	1
102	90.5075.00	Anello antiest. Ø 13x16x1.5 102	1
103	36.3190.66	Valvola sferica 102	1
104	99.1509.00	Vite M5x0.8x8.5 – INOX 102	1
105	36.3164.66	Sede valvola 102	1
106	90.3832.00	OR Ø 13.95x2.62 (3056) 94	1
107	10.0147.70 10.0078.70 10.0318.70	Nipplo M22x1.5 con Ø 3 Nipplo G 3/8" con Ø 3 Nipplo G 3/8" NPT con Ø 3 – USA VS.	1 1 1
108	60.1204.41 60.1205.41 60.1208.41 60.1209.41	Testata pompa con valvola Ø 15 Testata pompa con valvola Ø 18 Testata pompa con valvola SX Ø 15 Testata pompa con valvola SX Ø 18	1 1 1 1
109	98.2057.00	Tappo M14x1.5	1
110	98.1966.00	Tappo G 1/8"x8	1

OPTIONALS			
POS	COD.	DESCRIZIONE – DESCRIPTION - KIT	N
113	90.3823.00	OR Ø 9.92x2.62 (112) 94	1
114	10.0151.66 10.0076.66	Ugello – Nozzle Ø 2 (8÷11 l/min.) Ugello – Nozzle Ø 2.2 (12÷15 l/min.)	1 1
115	90.3582.00	OR Ø 9.25x1.78 (2037) 94	1
116	94.8217.00	Molla conica Ø 4.3/7.3x11 94	1
117	97.4782.00	Sfera Ø 7/32" 94	1
118	90.3572.00	OR Ø 5.28x1.78 (2021) 94	1
119	94.7383.00	Molla Ø 9.75x10 94	1
120	90.3580.00	OR Ø 8.73x1.78 (108) 94	1
121	36.3181.51	Corpo dosatore	1
122	90.3585.00	OR Ø 10.82x1.78 (2043) 94	1
123	36.2563.70	Sede valvola	1
124	36.2564.70	Otturatore	1
125	36.2565.51	Pomolo	1
126	90.3570.00	OR Ø 4.48x1.78 (2018) 94	2
127	36.2566.70	Innesto portagomma	1
130	90.3841.00	OR Ø 17.13x2.62 (3068)	1
131	36.3182.51	Nipplo aspirazione G 3/4"	1
132	92.8925.00	Filtro	1
133	90.3828.00	OR Ø 12.37x2.62 (3050)	1
134	36.2569.70	Portagomma aspirazione	1
135	92.9828.00	Ghiera G 3/4"	1

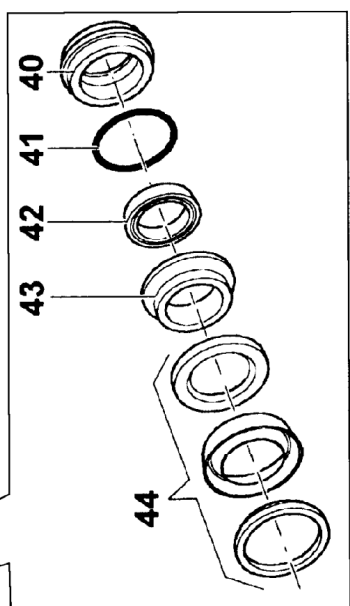
## KIT RICAMBI – SPARE KITS

KIT NR.	KIT 94	KIT 102
<b>Posizioni includi Positions included</b>	<b>106 – 113 – 115 116 – 117 – 118 119 – 120 – 122 126</b>	<b>90 – 91 – 92 93 – 94 – 95 96 – 97 – 98 99 – 100 – 101 102 – 103 – 104 105</b>
<b>Nr. Pcs.</b>	<b>1</b>	<b>1</b>


**SERIE 63**



\* Fissare con Loctite 542 col. ROSSO  
 \* Affix with Loctite 542 col. RED  
 \* Fixer avec de la Loctite 542 couleur ROUGE  
 \* Mit Loctite 542 ROT befestigen  
 \* Fijar con Loctite 542 col. ROJO  
 \* Fixar com Loctite 542 cor. VERMELHA  
  
 \*\* Fissare con Loctite 270 col. VERDE  
 \*\* Affix with Loctite 270 col. GREEN  
 \*\* Fixer avec de la Loctite 270 couleur VERT  
 \*\* Mit Loctite 270 GRÜN befestigen  
 \*\* Fijar con Loctite 270 col. VERDE  
 \*\* Fixar com Loctite 270 cor. VERDE







**EL2002 - EL2007 - EL2009 - EL1403**  
**EL1411 - EL1713 - EL1714 - UL1413**  
**UL1715 - UL1716 - UL2009 - UL2011**  
**EH1413 - EH1416 - EH2009 - EH2011**  
**UH2008 - UH2011 - UH2013 - UH2016**

### KIT RICAMBI - SPARE KITS

KIT Nr.	KIT 123	KIT 124	KIT 159	PISTONE - PISTON Ø15			PISTONE - PISTON Ø18			
				KIT 162	KIT 164	KIT 166	KIT 161	KIT 163	KIT 165	KIT 167
Posizioni include Positions included	4-5 6-7 8 (11)	9-10	17	40	43	40-41 42-43 44	42-44	40	43	40-41 42-43 44
Nr. Pcs.	6	6	3	3	3	1	3	3	3	1

PISTONE - PISTON Ø 15		PISTONE - PISTON Ø 18	
EL2002 - EL2007 - EL2009 UL2009 - UL2011	EL1403 - EL1411 EL1713 - EL1714 UL1413 - UL1715 UL1716	EH1413 - EH1416 - EH2009 EH2011 - UH2008 - UH2011 UH2013 - UH2016	

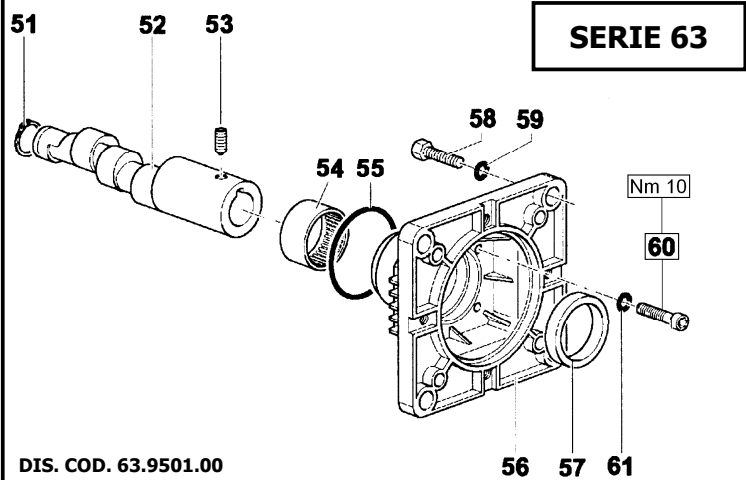
POS	COD.	DESCRIZIONE - DESCRIPTION - KIT	NR
17	90.1595.00	Anello rad. Ø 18x26x6	159
18	63.0100.22	Carter pompa	1
19	98.2103.00	Tappo carico olio G 3/8"	1
20	63.0202.65 63.0205.65 63.0208.65 63.0212.65 63.0216.65 63.0218.65	Albero - UH2008 Albero - EH2009 UH2011 Albero - EH2011 UH2013 Albero - EL2007 EL1411 UL2009 UL1413 EH1413 UH2016 Albero - EL2009 EL1713 UL2011 UL1715 EH1416 Albero - EL1714	1 1 1 1 1 1
21	91.4892.00	Linguetta	1
22	63.0500.66	Guida pistone	3
23	63.0300.22	Biella	3
24	90.3920.00	OR Ø 101.27x2.62 (3400)	1
25	63.1600.22 63.1601.22	Coperchio posteriore - OPTIONAL Coperchio posteriore	1 1
26	99.1837.00	Vite M6x14 UNI 5931 - Zinc.	4
27	90.3585.00	OR Ø 10.82x1.78 (2043)	1
28	98.2041.00	Tappo G 1/4"x9	2
29	97.7335.00	Spinotto Ø 9x27.5	3
30	96.7075.00	Rosetta Ø 9x25x0.5	3
31	90.5022.00	Anello antiest. Ø 6.2x9x1.5	3
32	90.3573.00	OR Ø 5.28x1.78 (2021)	3
33	52.0400.09 44.0401.09	Pistone Ø 15 Pistone Ø 18	3 3

POS	COD.	DESCRIZIONE - DESCRIPTION - KIT	NR
34	44.2115.70	Rosetta Ø 8 con collare	3
35	92.2216.00	Dado M8x13x5 - INOX	3
36	90.1641.00	Anello rad. Ø 25x65x10	1
37	50.2000.74	Piedino	2
38	96.7016.00	Rosetta Ø 8,4 UNI 1751 - Zinc.	4
39	99.3037.00	Vite M8x16 UNI 5739 - Zinc.	4
40	63.0800.70 63.0801.70	Anello di fondo Ø 15 Anello di fondo Ø 18	3 3
41	90.3608.00	OR Ø 28.3x1.78 (2112)	3
42	90.2608.00 90.2650.00	Anello ten. alt. Ø 15x22x5 LP 160-166 Anello ten. alt. Ø 18x24x5 LP 161-167	3 3
43	63.2160.70 63.2161.70	Anello intermedio Ø 15 Anello intermedio Ø 18	3 3
44	90.2612.00 90.2654.00	Anello ten. alt. Ø 15x24x8.5 HP160-166 Anello ten. alt. Ø 18x28x10 HP161-167	3 3
45	98.2100.00	Tappo G 3/8"x13	1
46	98.2176.00	Tappo G 1/2"x10	1
47	96.7380.00	Rosetta Ø 17.5x23x1.5	1
48	96.7514.00	Rosetta Ø 21.5x27x1.5	1
49	63.2100.51	Spia livello olio - OPTIONAL	1
50	90.4051.00	OR Ø 26.58x3.53 - OPTIONAL	1

POS	COD.	DESCRIZIONE - DESCRIPTION - KIT	NR
1	63.1200.41 63.1203.41	Testata Ø 15 Testata Ø 18	1 1
2	99.3192.00	Vite M8x65 UNI 5931 - Zinc.	8
3	96.7014.00	Rosetta Ø 8,4x13x0.8	8
4	90.3841.00	OR Ø 17.13x2.62 (3068)	6
5	36.2003.66	Sede valvola	123
6	36.2001.76	Valvola	123
7	94.7376.00	Molla Ø 9.4x14.8	123
8	36.2025.51	Guida valvola	123
9	90.3847.00	OR Ø 20.24x2.62 (3081) - 90 Sh. 124	124
10	98.2226.00	Tappo M24x17x1.5	124
11	36.7115.01	Gruppo valvola aspiraz./mand.	123
12	99.1807.00	Vite M6x10 UNI 5739 - Zinc.	8
13	50.1500.74	Coperchio carter	2
14	44.2118.01	Distanziale con indicatore	1
15	90.4097.00	OR Ø 55.56x3.53 (159)	1
16	91.8331.00	Cuscinetto a sfera 6305	2

## VERSION A (for electric motors NEMA 184 TC)

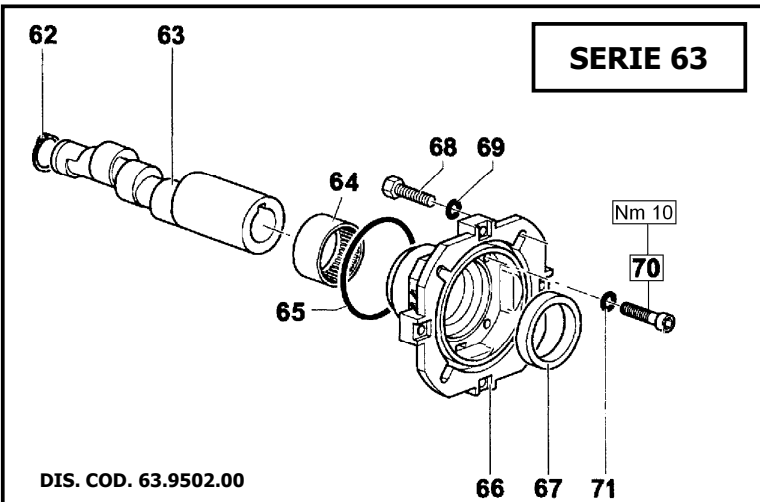
### UL1413 – UL1715 – UL2009 – UL2011



POS	COD.	DESCRIZIONE - DESCRIPTION	NR
51	90.0635.00	Anello di fermo Ø 25 UNI 7435	1
52	63.0232.65	Albero – UL2009 UL1413	1
	63.0236.65	Albero – UL2011 UL1715	1
53	99.1790.00	Vite M6x6 UNI 5929	1
54	91.8568.00	Boccola a rullini	1
55	90.4097.00	OR Ø 55.56x3.56 (159)	1
56	10.0504.22	Flangia per motore elettrico	1
57	90.1690.00	Anello rad. Ø 45x62x8	1
58	99.4600.00	Vite 1/2"x1-1/4"	4
59	96.7195.00	Rosetta Ø 13x18x1.1	4
60	99.1912.00	Vite M6x30 UNI 5931	4
61	96.6938.00	Rosetta Ø 6.4x10x0.7	4

## VERSION B (for electric motors IEC 100-112 B14)

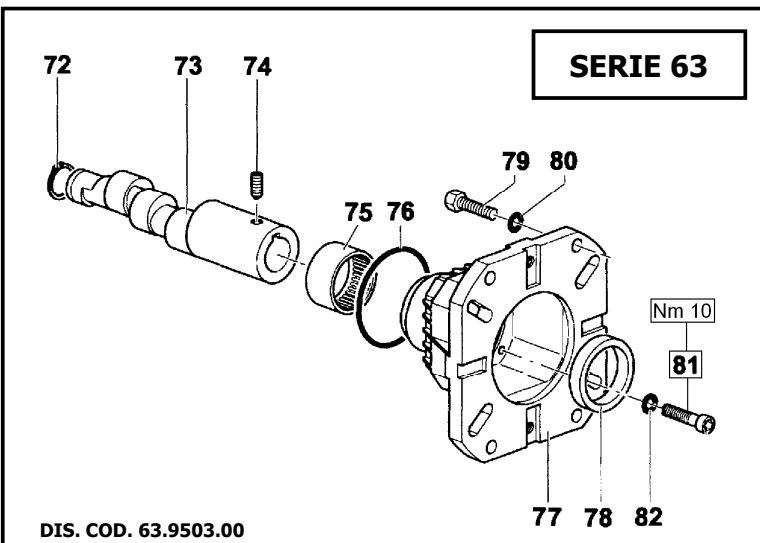
### EH1413 – EH1416 – EH2009 – EH2011 EL2002 – EL1403 – EL1411 – EL1713 EL2007 – EL2009



POS	COD.	DESCRIZIONE - DESCRIPTION	NR
62	90.0635.00	Anello di fermo Ø 25 UNI 7435	1
63	63.0239.65	Albero – EL2002 EL1403	1
	63.0245.65	Albero – EH2009	1
	63.0248.65	Albero – EH2011	1
	63.0252.65	Albero – EL2007 EL1411 EH1413	1
	63.0256.65	Albero – EL2009 EL1713 EH1416	1
64	91.8568.00	Boccola a rullini	1
65	90.4097.00	OR Ø 55.56x3.56 (159)	1
66	10.0494.22	Flangia per motore elettrico	1
67	90.1690.00	Anello rad. Ø 45x62x8	1
68	99.3067.00	Vite M8x25 UNI 5739	4
69	96.7014.00	Rosetta Ø 8.4x13x0.8	4
70	99.1912.00	Vite M6x30 UNI 5931	4
71	96.6938.00	Rosetta Ø 6.4x10x0.7	4

## VERSION C1" (for gasoline engines SAE J 609 type B ext.4)

### UH2011 – UH2013 – UH2014 – UH2016

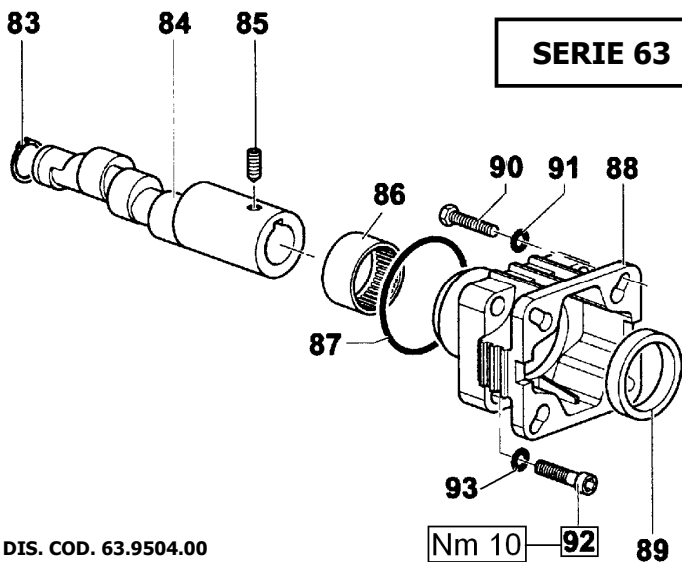


POS	COD.	DESCRIZIONE - DESCRIPTION	NR
72	90.0635.00	Anello di fermo Ø 25 UNI 7435	1
73	63.0277.65	Albero – UH2011	1
	63.0280.65	Albero – UH2013	1
	63.0282.65	Albero – UH2014	1
	63.0284.65	Albero – UH2016	1
74	99.1790.00	Vite M6x6 UNI 5929	1
75	91.8568.00	Boccola a rullini	1
76	90.4097.00	OR Ø 55.56x3.56 (159)	1
77	10.0518.22	Flangia per motore a scoppio	1
78	90.1690.00	Anello rad. Ø 45x62x8	1
79	99.2755.00	Vite 5/16"x1"	4
	99.3346.00	Vite 3/8"x1-1/4"	4
80	96.7020.00	Rosetta Ø 8.4x15x1.5 UNI 1736	4
	96.7104.00	Rosetta Ø 10.5x16x1	4
81	99.1912.00	Vite M6x30 UNI 5931	4
82	96.6938.00	Rosetta Ø 6.4x10x0.7	4

## VERSION C3/4" (for gasoline engines SAE J 609 type A ext.3)

### UH2008 – UH2011 – UH2013

#### SERIE 63



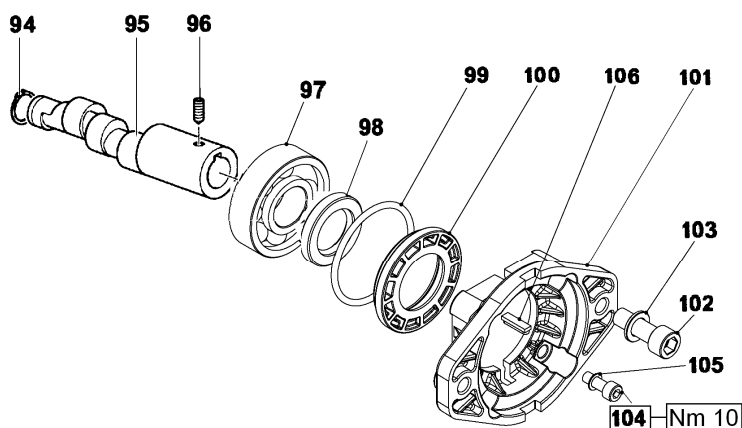
DIS. COD. 63.9504.00

POS	COD.	DESCRIZIONE - DESCRIPTION	NR
83	90.0635.00	Anello di fermo Ø 25 UNI 7435	1
84	63.0262.65	Albero – UH2008	1
	63.0264.65	Albero – UH2011	1
	63.0266.65	Albero – UH2013	1
85	99.1790.00	Vite M6x6 UNI 5929	1
86	91.8568.00	Boccola a rullini	1
87	90.4097.00	OR Ø 55.56x3.56 (159)	1
88	10.0617.22	Flangia per motore a scoppio	1
89	90.1687.00	Anello rad. Ø 45x60x8	1
90	99.2730.00	Vite 5/16"x3/4"x24	4
91	96.7014.00	Rosetta Ø 8.4x13 0.8	4
92	99.1912.00	Vite M6x30 UNI 5931	4
93	96.6938.00	Rosetta Ø 6.4x10x0.7	4

## VERSION I (for hydraulic motors SAE J 744 type A – 5/8")

### UL1716

#### SERIE 63



POS	COD.	DESCRIZIONE - DESCRIPTION	NR
94	90.0635.00	Anello di fermo Ø 25 UNI 7435	1
95	63.0237.65	Albero – UL1716	1
96	99.1790.00	Vite M6x6 UNI 5929	1
97	91.8371.00	Cuscinetto a sfere 6206	1
98	90.1644.00	Anello rad. Ø 30x42x7	1
99	90.4097.00	OR Ø 55.56x3.56 (159)	1
100	50.2115.51	Distanziale	1
101	10.0763.22	Flangia per motore idraulico	1
102	99.3686.00	Vite M10x30 UNI 5931	2
103	96.7103.00	Rosetta Ø 10.5x18x2	2
104	99.1868.00	Vite M6x18 UNI 5931	4
105	96.6938.00	Rosetta Ø 6.4x10x0.7	4
105	91.4685.00	Linguetta 4/4.8x18	1

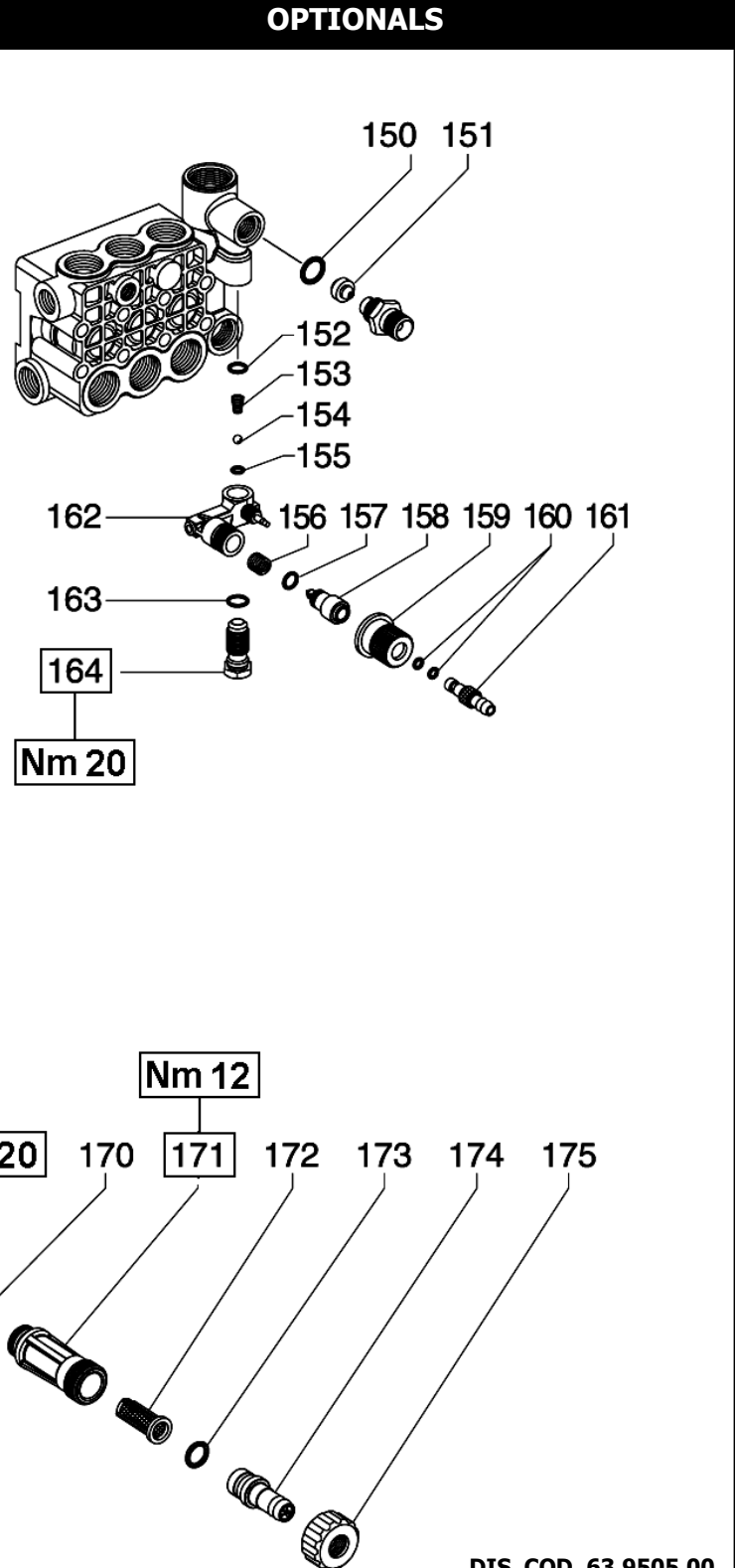
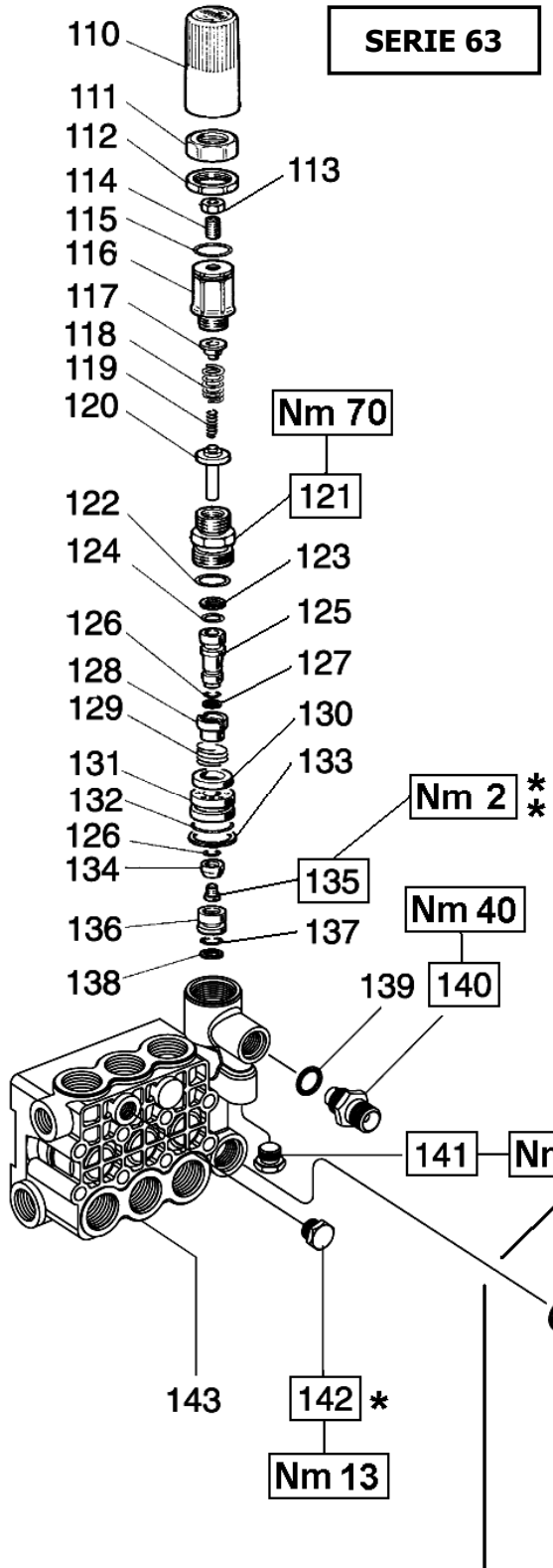
# VH VERSION

VERSIONE CON VALVOLA DI REGOLAZIONE AUT. – VERSION WITH BUILT-IN AUT. UNLOADER  
 VERSION AVEC RÉGULATEUR AUT. DE PRESSION INCORPORÉ  
 AUSFÜHRUNG MIT EINGEAUTEM AUT. DRUCKREGULIERVENTIL

VERSIÓN CON REGULADOR AUT. DE PRESIÓN INCORPORADO - VERSÃO COM VÁLVULA DO REGULAMENTO AUT.

- \* Fissare con Loctite 542 col. ROSSO
- \* Affix with Loctite 542 col. RED
- \* Fixer avec de la Loctite 542 couleur ROUGE
- \* Mit Loctite 542 ROT befestigen
- \* Fijar con Loctite 542 col. ROJO
- \* Fixar com Loctite 542 cor. VERMELHA

- \*\* Fissare con Loctite 270 col. VERDE
- \*\* Affix with Loctite 270 col. GREEN
- \*\* Fixer avec de la Loctite 270 couleur VERT
- \*\* Mit Loctite 270 GRÜN befestigen
- \*\* Fijar con Loctite 270 col. VERDE
- \*\* Fixar com Loctite 270 cor. VERDE



DIS. COD. 63.9505.00

# VH VERSION

**VERSIONE CON VALVOLA DI REGOLAZIONE AUT. – VERSION WITH BUILT-IN AUT. UNLOADER  
VERSION AVEC RÉGULATEUR AUT. DE PRESSION INCORPORÉ  
AUSFÜHRUNG MIT EINGEBAUTEM AUT. DRUCKREGULIERVENTIL  
VERSIÓN CON REGULADOR AUT. DE PRESIÓN INCORPORADO - VERSÃO COM VÁLVULA DO REGULAMENTO AUT.**

POS	COD.	DESCRIZIONE – DESCRIPTION - KIT	N
110	36.3187.51	Pomolo	1
111	36.3186.70	Ghiera di registro pressione	1
112	92.2935.00	Dado M28x1.5	1
113	92.2218.00	Dado M8x13 UNI 5589	1
114	99.3054.00	Vite M8x20 UNI 5923	1
115	90.3598.00	OR Ø 20.35x1.78 (2081)	1
116	36.3185.70	Registro pressione	1
117	36.3169.70	Piattello molla	1
118	94.7436.00	Molla Ø 15x35	1
119	94.7345.00	Molla Ø 7.6x29	1
120	36.3233.70	Piattello inferiore molla	1
121	36.3228.70	Boccola di guida	1
122	90.3857.00	OR Ø 23.81x2.62 (132)	1
123	90.5252.00	Anello antiest. Ø 9.3x14x1.5	137 1
124	90.3820.00	OR Ø 9.13x2.62 (109) – Spec.	137 1
125	36.3234.70	Pistoncino di comando	137 1
126	90.3575.00	OR Ø 6.75x1.78 (106) – Spec.	137 2
127	90.5025.00	Anello antiest. Ø 7x10x1.5	137 1
128	36.3230.70	Distanziale	137 1
129	94.7485.00	Molla Ø 18.5x11	137 1
130	36.3231.51	Valvola	137 1
131	36.3229.70	Guida valvola	137 1
132	90.3600.00	OR Ø 21.95x1.78 (2087)	137 1
133	90.5144.00	Anello antiest. Ø 22x25x1.5	137 1
134	36.3190.66	Valvola sferica	137 1
135	99.1509.00	Vite M5x8.5x0.5 - INOX	137 1
136	36.3164.66	Sede valvola	137 1
137	90.3822.00	OR Ø 9.92x2.62 (112) – Spec.	137 1
138	90.5065.00	Anello antiest. Ø 10.6x15x2	137 1
139	90.3832.00	OR Ø 13.95x2.62 (3056) – Spec.	94 1
140	10.0078.70 10.0147.70	Nipplo G 3/8" con Ø 3 Nipplo M22x1.5 con Ø 3	1 1
141	98.2057.00	Tappo M14x1.5	1

POS	COD.	DESCRIZIONE – DESCRIPTION - KIT	N
142	98.2041.00	Tappo G 1/4"x9	1
143	63.1201.41 63.1204.41	Testata Ø 15 Testata Ø 18	1 1
<b>OPTIONALS</b>			
POS	COD.	DESCRIZIONE – DESCRIPTION - KIT	N
150	90.3822.00	OR Ø 9.92x2.62 (112) – Spec.	94 1
151	10.0151.66 10.0076.66	Ugello – Nozzle Ø 2 (8÷11 l/min.) Ugello – Nozzle Ø 2.2 (12÷17 l/min.)	1 1
152	90.3582.00	OR Ø 9.25x1.78 (2037)	94 1
153	94.8217.00	Molla conica Ø 4.3/7.3x11	94 1
154	97.4782.00	Sfera Ø 7/32"	94 1
155	90.3572.00	OR Ø 5.28x1.78 (2021) – Spec.	94 1
156	94.7383.00	Molla Ø 9.75x10	94 1
157	90.3580.00	OR Ø 8.73x1.78 (108) – Spec.	94 1
158	36.2564.70	Otturatore	1
159	36.2565.51	Pomolo	1
160	90.3570.00	OR Ø 4.48x1.78 (2018)	94 2
161	36.2566.70	Innesto portagomma	1
162	36.3181.51	Corpo dosatore	1
163	90.3585.00	OR Ø 10.82x1.78 (2043)	94 1
164	36.2563.70	Sede valvola	1
170	90.3841.00	OR Ø 17.13x2.62 (3068)	1
171	36.3182.51	Nipplo aspirazione G 3/4"	1
172	92.8925.00	Filtro	1
173	90.3828.00	OR Ø 12.37x2.62 (3050)	1
174	36.2569.51	Portagomma aspirazione	1
175	92.9828.00	Ghiera G 3/4"	1

## KIT RICAMBI – SPARE KITS

KIT NR.	KIT 94	KIT 137
<b>Posizioni includi Positions included</b>	<b>139 – 150 – 152 153 – 154 – 155 156 – 157 – 160 163</b>	<b>123 – 124 – 125 126 – 127 – 128 129 – 130 – 131 132 – 133 – 134 135 – 136 – 137 138</b>
<b>Nr. Pcs.</b>	<b>1</b>	<b>1</b>

# VK VERSION

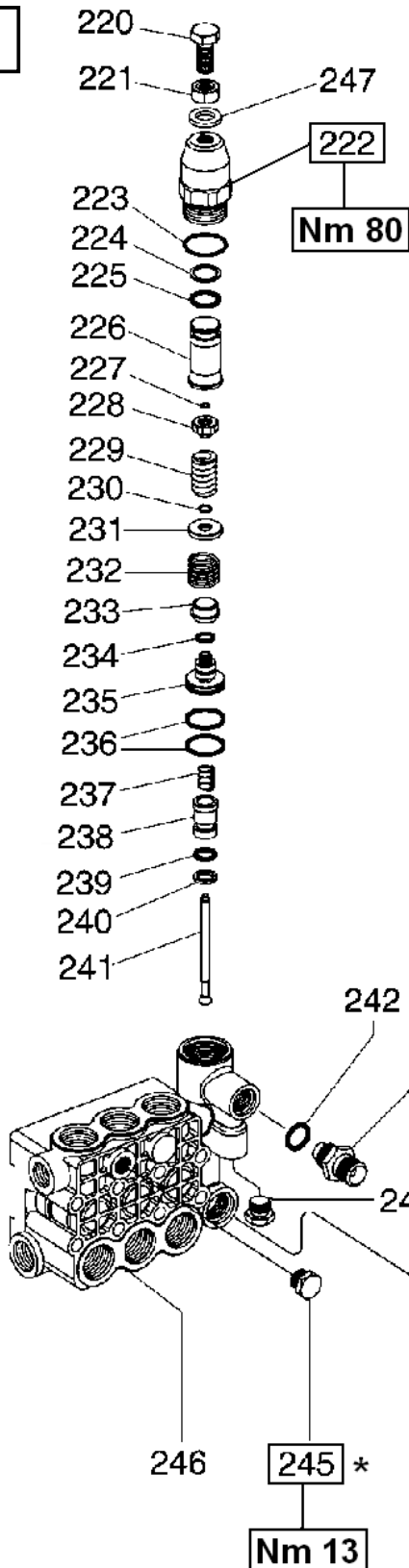
VERSIONE CON VALVOLA DI REGOLAZIONE AUT. – VERSION WITH BUILT-IN AUT. UNLOADER  
 VERSION AVEC RÉGULATEUR AUT. DE PRESSION INCORPORÉ  
 AUSFÜHRUNG MIT EINGEAUTEM AUT. DRUCKREGULIERVENTIL

VERSIÓN CON REGULADOR AUT. DE PRESIÓN INCORPORADO - VERSÃO COM VÁLVULA DO REGULAMENTO AUT.

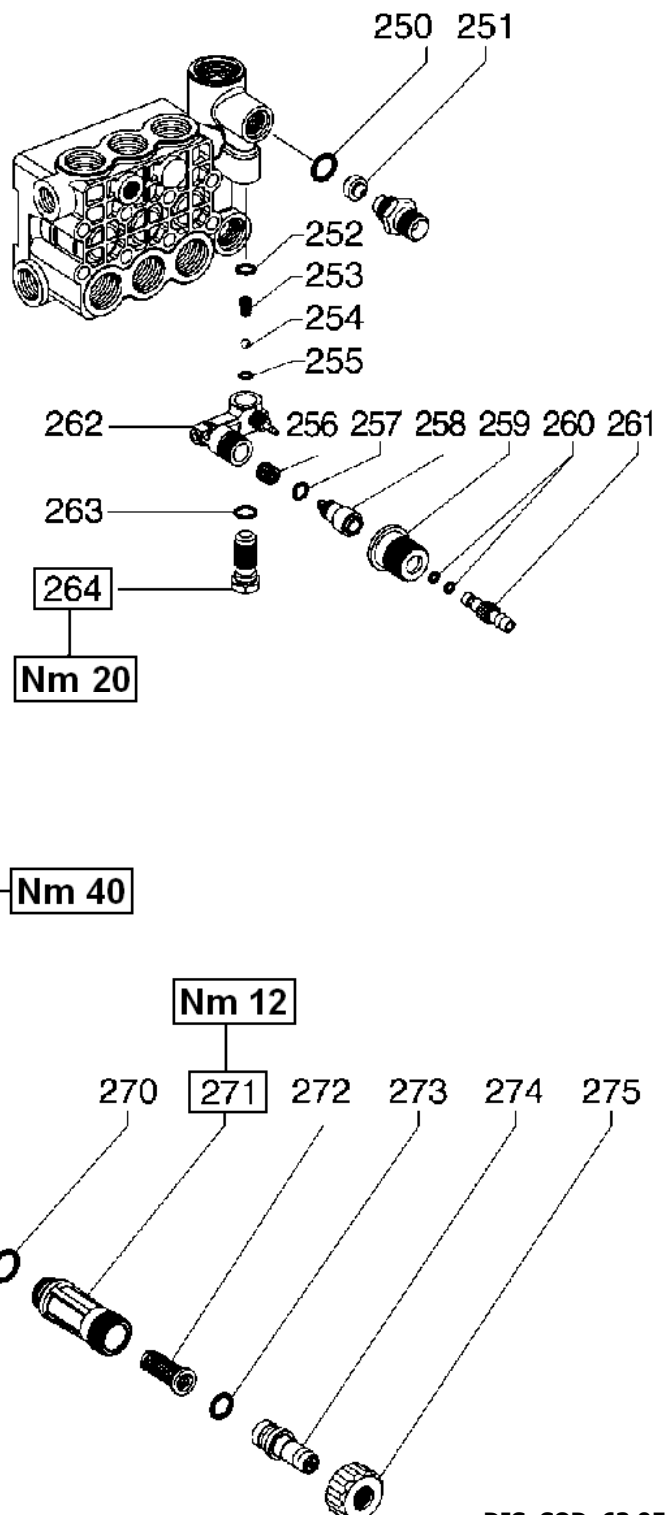
- \* Fissare con Loctite 542 col. ROSSO
- \* Affix with Loctite 542 col. RED
- \* Fixer avec de la Loctite 542 couleur ROUGE

- \* Mit Loctite 542 ROT befestigen
- \* Fijar con Loctite 542 col. ROJO
- \* Fixar com Loctite 542 cor. VERMELHA

## SERIE 63



## OPTIONALS



DIS. COD. 63.9506.00

# VK VERSION

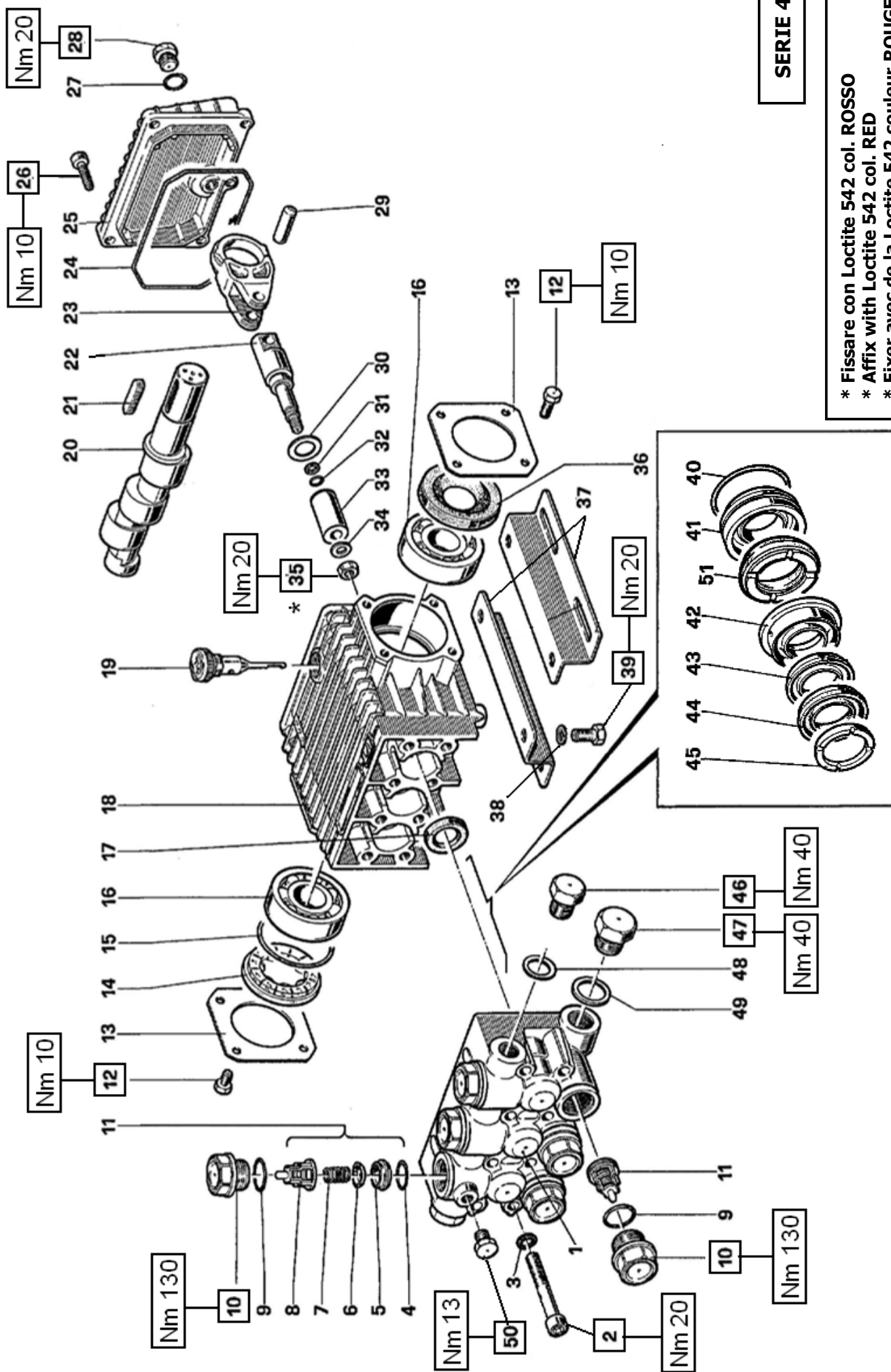
**VERSIONE CON VALVOLA DI REGOLAZIONE AUT. – VERSION WITH BUILT-IN AUT. UNLOADER**  
**VERSION AVEC RÉGULATEUR AUT. DE PRESSIÒN INCORPORÉ**  
**AUSFÜHRUNG MIT EINGEBAUTEM AUT. DRUCKREGULIERVENTIL**  
**VERSIÓN CON REGULADOR AUT. DE PRESIÓN INCORPORADO - VERSÃO COM VÁLVULA DO REGULAMENTO AUT.**

POS	COD.	DESCRIZIONE – DESCRIPTION - KIT	N
220	99.3663.00	Vite M10x1.25x25 UNI 5740	1
221	92.2368.00	Dado M10x1.25x17 UNI 5589	1
222	36.3270.70	Corpo superiore	1
223	90.3604.00	OR Ø 25.12x1.78 (2100)	1
224	90.5090.00	Anello antiest. Ø 15.8x20x1.3	1
225	90.3835.00	OR Ø 15.08x2.62 (119)	1
226	36.3271.70	Fine corsa	1
227	90.0059.00	Anello di arresto Ø 5 UNI 7433 177	1
228	36.3274.00	Piattelo molla 177	1
229	94.7408.00	Molla Ø 12.5x26 177	1
230	90.0062.00	Anello di arresto Ø 8 UNI 7433 177	1
231	36.3273.70	Piattello molla 177	1
232	94.7480.00	Molla Ø 18.2x16.5 177	1
233	36.3277.56	Otturatore 177	1
234	90.3581.00	OR Ø 8.73x1.78 (108) 177	1
235	36.3272.70	Pistoncino di comando 177	1
236	92.7710.00	Fascia elastica Ø 25 177	2
237	94.7372.00	Molla Ø 9.3x15 177	1
238	36.3276.66	Sede valvola 177	1
239	90.3823.00	OR Ø 9.92x2.62 (112) 177	1
240	90.5065.00	Anello antiest. Ø 10.6x15x2 177	1
241	36.3275.66	Asta valvola 177	1
242	90.3832.00	OR Ø 13.95x2.62 (3056) – Spec. 94	1
243	10.0078.70 10.0147.70	Nipplo G 3/8" con Ø 8 Nipplo M22x1.5 con Ø 8	1 1
244	98.2057.00	Tappo M14x1.5	1
245	98.2041.00	Tappo G 1/4"x9	1
246	63.1201.41 63.1204.41	Testata Ø 15 Testata Ø 18	1 1
247	96.7103.00	Rosetta Ø 10.5x18x2	1

OPTIONALS			
POS	COD.	DESCRIZIONE – DESCRIPTION - KIT	N
250	90.3822.00	OR Ø 9.92x2.62 (112) 94	1
251	10.0151.66 10.0076.66	Ugello Ø 2 (8-11 l/min.) Ugello Ø2.2 (12-15 l/min.)	1 1
252	90.3582.00	OR Ø 9.25x1.78 (2037) 94	1
253	94.8217.00	Molla conica Ø 4.3/7.6x11 94	1
254	97.4782.00	Sfera Ø 7/32" 94	1
255	90.3572.00	OR Ø 5.28x1.78 (2021) 94	1
256	94.7383.00	Molla Ø 9.75x10 94	1
257	90.3580.00	OR Ø 8.73x1.78 (108) 94	1
258	36.2564.70	Otturatore	1
259	36.2565.51	Pomolo	1
260	90.3570.00	OR Ø 4.48x1.78 (2018) 94	2
261	36.2566.70	Innesto portagomma	1
262	36.3181.51	Corpo dosatore	1
263	90.3585.00	OR Ø 10.82x1.78 (2043) 94	1
264	36.2563.70	Sede valvola	1
270	90.3841.00	OR Ø 17.13x2.62 (3068)	1
271	36.3182.51	Nipplo aspirazione G 3/4"	1
272	92.8925.00	Filtro	1
273	90.3828.00	OR Ø 12.37x2.62 (3050)	1
274	36.2569.70	Portagomma aspirazione	1
275	92.9828.00	Ghiera G 3/4"	1

## KIT RICAMBI – SPARE KITS

KIT NR.	KIT 94	KIT 137
<b>Posizioni include</b> <b>Positions included</b>	<b>242 – 250 – 252</b> <b>253 – 254 – 255</b> <b>256 – 257 – 260</b> <b>263</b>	<b>227 – 228 – 229</b> <b>230 – 231 – 232</b> <b>233 – 234 – 235</b> <b>236 – 237 – 238</b> <b>239 – 240 – 241</b>
<b>Nr. Pcs.</b>	<b>1</b>	<b>1</b>



**SERIE 44**

- \* Fissare con Loctite 542 col. ROSSO
- \* Affix with Loctite 542 col. RED
- \* Fixer avec de la Loctite 542 couleur ROUGE
- \* Mit Loctite 542 ROT befestigen
- \* Fijar con Loctite 542 col. ROJO
- \* Fixar com Loctite 542 cor. VERMELHA

DIS. COD. 44.9504.00



**KIT RICAMBI – SPARE KITS****OTTONE BRASS****NICKEL****PISTONE - PISTON Ø15****PISTONE - PISTON Ø18**

KIT Nr.	KIT 23	KIT 123	KIT 124	KIT 158	KIT 88	KIT 89	KIT 90	KIT 125	KIT 130	KIT 126	KIT 127	KIT 128	KIT 129	KIT 131
Posizioni include Positions included	17	4 - 5 6 - 7 8 - (11)	9 - 10	9 - 10	43 - 44 51	42	45	40 - 41	40 - 41 42 - 43 44 - 45 51	40 - 41	43 - 44 51	42	45	40 - 41 42 - 43 44 - 45 51
Nr. Pcs.	3	6	6	6	3	3	6	3	1	3	3	3	6	1

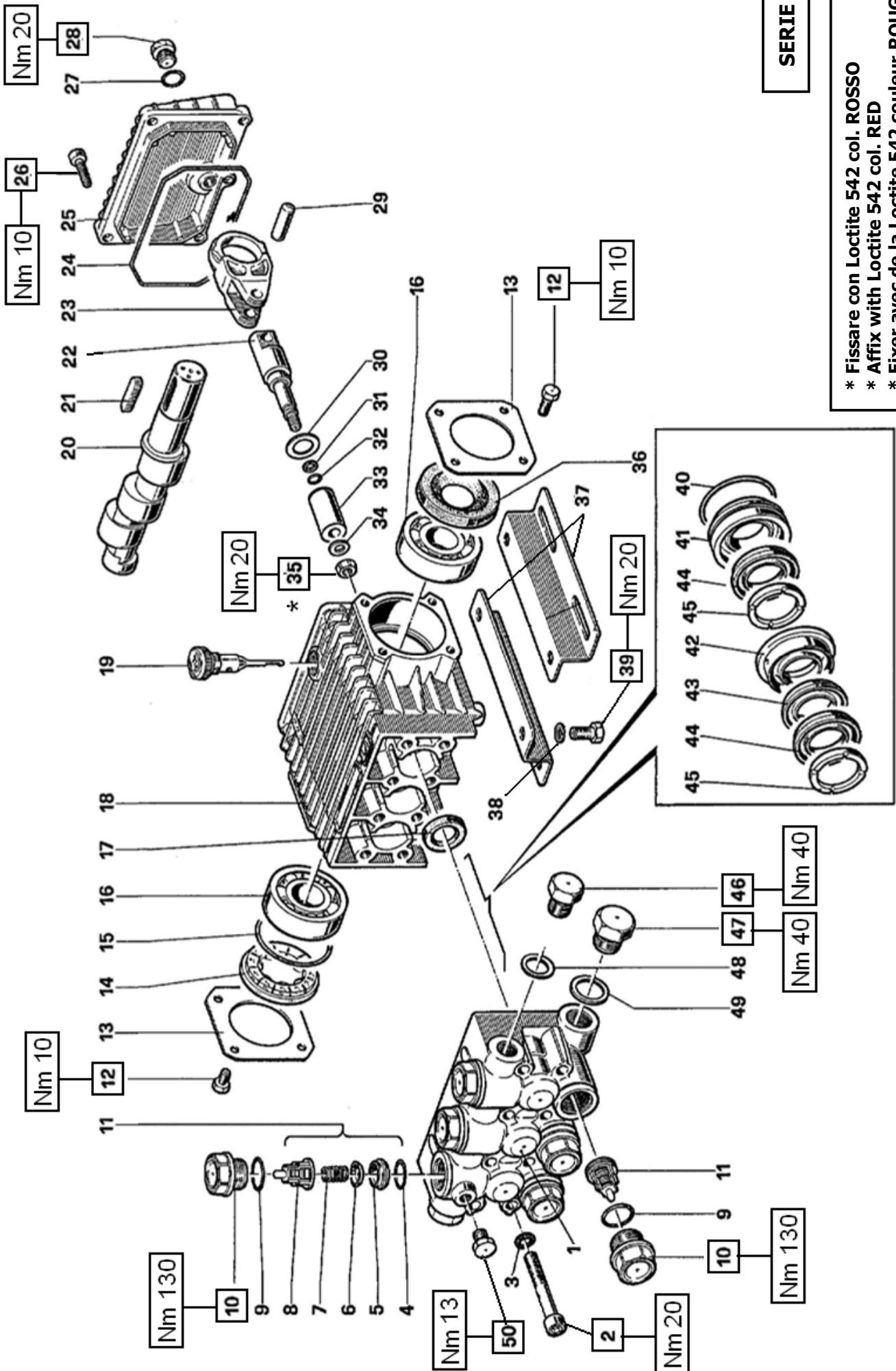
**W97 - W112 - W124 - W130**  
**W140 - W150 - W154 - W170**  
**W200 - W204 - W950 - W951**  
**W952 - W953 - W954 - W955**  
**W956 - W957 - W958 - W959**  
**W14200 - W16180 - WW116**  
**WW136 - WW156 - WW176**  
**WW186 - WW189 - WW206**  
**WW209 - WW960 - WW961**  
**WW962**

PISTONE - PISTON Ø15		PISTONE - PISTON Ø18	
<b>OTTONE BRASS</b>	W130 - W150 - W170 W950 - W951 - W952 W953 - WW116 - WW136 - WW156 WW176 - WW186 - WW189 - WW206 WW209 - WW960 - WW961 - WW962	W97 - W112 - W124 W140 - W154 - W954 W955 - W956 - W957 W958 - W959	W200 - W204 W14200 - W16180
<b>NICKEL</b>	-		

POS	COD.	DESCRIZIONE - DESCRIPTION - KIT	NR
33	52.0400.09 44.0401.09	Pistone Ø 15 Pistone Ø 18	3 3
34	44.2115.70	Rosetta Ø 8 con collare	3
35	92.2216.00	Dado M8x13x5 - INOX	3
36	90.1641.00	Anello rad. Ø 25x62x10	1
37	50.2000.74	Piedino	2
38	96.7016.00	Rosetta Ø 8,4 UNI 1751	4
39	99.3037.00	Vite M8x16 UNI 5739	4
40	90.3612.00	OR Ø 31.47x1.78 (2125)	3
41	44.0800.70 44.0801.70	Anello di fondo Ø 15 Anello di fondo Ø 18	3 3
42	52.2166.70 44.2161.70	Anello intermedio Ø 15 Anello intermedio Ø 18	3 3
43	90.2622.00 90.2683.00	Anello RESTOP Ø 15 Anello RESTOP Ø 18	3 3
44	90.2620.00 90.2682.00	Anello tenuta Ø 15 HP Anello tenuta Ø 18 HP	3 3
45	51.1000.51 44.1001.51	Anello di testa Ø 15 Anello di testa Ø 18	3 3
46	98.2100.00	Tappo G 3/8"x13	1
47	98.2176.00	Tappo G 1/2"x10	1
48	96.7380.00	Rosetta Ø 17.5x23x1.5	1
49	96.7514.00	Rosetta Ø 21.5x27x1.5	1
50	98.1966.00	Tappo G 1/8"x8	1
51	90.2617.00 90.2684.00	Anello tenuta Ø 15 LP Anello tenuta Ø 18 LP	3 3

POS	COD.	DESCRIZIONE - DESCRIPTION - KIT	NR
14	44.2118.01	Distanziale con indicatore	1
15	90.4097.00	OR Ø 55.56x3.53 (159)	1
16	91.8331.00	Cuscinetto a sfere 6305 - Spec.	2
17	90.1614.00	Anello rad. Ø 20x30x5	23
18	44.0100.22	Carter pompa	1
19	98.2103.00	Tappo carico olio G 3/8"	1
20	44.0200.35 44.0203.35	Albero - WW186-WW206 Albero - W112-W140-W150-W950-W954 W955-W956-WW116-WW156-WW209-W200 W14200	1 1
21	44.0205.35 44.0206.35	Albero - WW189 Albero - W97-W124-W130-W154-W170 W951-W952-W953-W957-W958-W959 WW136-WW176-W204-W16180	1 1
22	91.4892.00	Linguetta 8x7x35 UNI 6604	1
23	44.0500.66	Guida pistone	3
24	44.0300.22	Biella	3
25	90.3920.00	OR Ø 101.27x2.62 (3400)	1
26	44.1600.22	Coperchio posteriore	1
27	99.1837.00	Vite M6x14 UNI 5931	5
28	90.3585.00	OR Ø 10.82x1.78 (2043)	1
29	98.2041.00	Tappo G 1/4"x9	1
30	97.7340.00	Spinotto Ø 10x29.5	3
31	96.7350.00	Rosetta Ø 16x27x1.7/0.7	3
32	90.5022.00	Anello antiest. Ø 6.2x9x1.5	3
33	90.3572.00	OR Ø 5.28x1.78 (2021) - Spec.	3



POS	COD.	DESCRIZIONE - DESCRIPTION - KIT	NR
1	44.1200.41 44.1204.41 44.1207.41	Testata Ø 15 Testata Ø 18 Testata Ø 18 - NICKEL	1 1 1
2	99.3175.00	Vite M8x60 UNI 5931	8
3	96.7014.00	Rosetta Ø 8,4x13x0,8	8
4	90.3841.00	OR Ø 17.13x2.62 (3068)	6
5	36.2003.66	Sede valvola	123
6	36.2001.76	Valvola	123
7	94.7376.00	Molla Ø 9,4x14,8	123
8	36.2025.51	Guida valvola	123
9	90.3847.00	OR Ø 20.24x2.62 (3081) 90 Sh. 124-158	6
10	98.2226.00 98.2225.00	Tappo M24x1.5x17 Tappo M24x1.5x17 - NICKEL	124 158
11	36.7115.01	Gruppo valvola aspiraz./mand.	123
12	99.1807.00	Vite M6x10 UNI 5739	8
13	50.1500.74	Coperchio carter	2



**SERIE 44**

- \* Fissare con Loctite 542 col. ROSSO
- \* Affix with Loctite 542 col. RED
- \* Fixer avec de la Loctite 542 couleur ROUGE
- \* Mit Loctite 542 ROT befestigen
- \* Fijar con Loctite 542 col. ROJO
- \* Fixar com Loctite 542 cor. VERMELHA

DIS. COD. 44.9505.00

# W130HH – W140HH – W154HH

<b>PISTONE – PISTON -Ø15</b>	<b>PISTONE – PISTON - Ø18</b>
<b>W130HH – W140HH</b>	<b>W154HH</b>

POS	COD.	DESCRIZIONE – DESCRIPTION - KIT	NR
1	44.1200.41 44.1204.41	Testata Ø 15 Testata Ø 18	1 1
2	99.3175.00	Vite M8x60 UNI 5931	8
3	96.7014.00	Rosetta Ø 8,4x13x0,8	8
4	90.3841.00	OR Ø 17.13x2.62 (3068)	123
5	36.2003.66	Sede valvola	123
6	36.2001.76	Valvola	123
7	94.7376.00	Molla Ø 9,4x14,8	123
8	36.2025.51	Guida valvola	123
9	90.3847.00	OR Ø 20,24x2,62 (3081) 90 Sh.	124
10	98.2226.00	Tappo M24x1,5x17	124
11	36.7115.01	Gruppo valvola aspiraz./mand.	123
12	99.1807.00	Vite M6x10 UNI 5739	8
13	50.1500.74	Coperchio carter	2
14	44.2118.01	Distanziale con indicatore	1
15	90.4097.00	OR Ø 55,56x3,53 (159)	1
16	91.8331.00	Cuscinetto a sfere 6305 – Spec.	2
17	90.1614.00	Anello rad. Ø 20x30x5	23
18	44.0100.22	Carter pompa	1

### KIT RICAMBI – SPARE KITS

KIT Nr.	KIT 23	KIT 123	KIT 124	KIT 89	KIT 90	KIT 125	KIT 250
Posizioni include Positions included	17	4-5 6-7 8-(11)	9-10	42	45	40-41	43-44
Nr. Pcs.	3	6	6	3	6	3	3

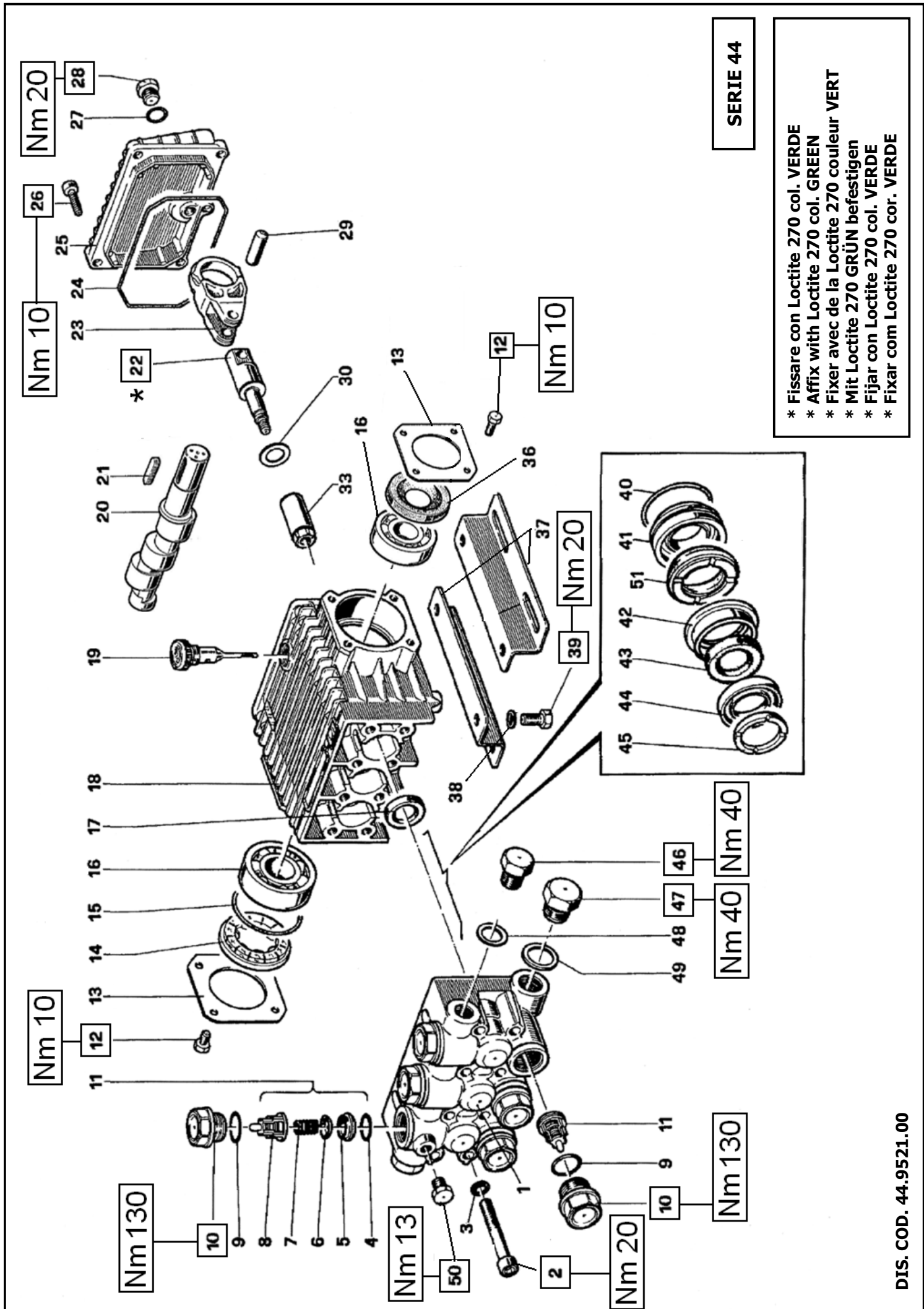
### PISTONE- PISTON Ø15

KIT 126	KIT 128	KIT 129	KIT 251
40-41	42	45	43-44
3	3	6	3

### PISTONE- PISTON Ø18

POS	COD.	DESCRIZIONE – DESCRIPTION - KIT	NR
40	90.3612.00	OR Ø 31,47x1,78 (2125)	125-126
41	44.0800.70 44.0801.70	Anello di fondo Ø 15 Anello di fondo Ø 18	125 126
42	52.2166.70 44.2161.70	Anello intermedio Ø 15 Anello intermedio Ø 18	89 128
43	90.2622.00 90.2683.00	Anello RESTOP Ø 15 Anello RESTOP Ø 18	250 251
44	90.2620.00 90.2682.00	Anello tenuta Ø 15 HP Anello tenuta Ø 18 HP	250 251
45	51.1000.51 44.1001.51	Anello di testa Ø 15 Anello di testa Ø 18	90 129
46	98.2100.00	Tappo G 3/8"x13	1
47	98.2176.00	Tappo G 1/2"x10	1
48	96.7380.00	Rosetta Ø 17,5x23x1,5	1
49	96.7514.00	Rosetta Ø 21,5x27x1,5	1
50	98.1966.00	Tappo G 1/8"x8	1

POS	COD.	DESCRIZIONE – DESCRIPTION - KIT	NR
19	98.2103.00	Tappo carico olio G 3/8"	1
20	44.0203.35 44.0206.35	Albero – W140HH Albero – W130HH-W154HH	1 1
21	91.4892.00	Linguetta 8x7x35 UNI 6604	1
22	44.0500.66	Guida pistone	3
23	44.0300.22	Biella	3
24	90.3920.00	OR Ø 101,27x2,62 (3400)	1
25	44.1600.22	Coperchio posteriore	1
26	99.1837.00	Vite M6x14 UNI 5931	5
27	90.3585.00	OR Ø 10,82x1,78 (2043)	1
28	98.2041.00	Tappo G 1/4"x9	1
29	97.7340.00	Spinotto Ø 10x29,5	3
30	96.7350.00	Rosetta Ø 16x27x1,7/0,7	3
31	90.5022.00	Anello antiest. Ø 6,2x9x1,5	3
32	90.3572.00	OR Ø 5,28x1,78 (2021) – Spec.	3
33	52.0400.09 44.0401.09	Pistone Ø 15 Pistone Ø 18	3 3
34	44.2115.70	Rosetta Ø 8 con collare	3
35	92.2216.00	Dado M8x13x5 - INOX	3
36	90.1641.00	Anello rad. Ø 25x62x10	1
37	50.2000.74	Piedino	2
38	96.7016.00	Rosetta Ø 8,4 UNI 1751	4
39	99.3037.00	Vite M8x16 UNI 5739	4





# WW963 – WW964 WW965

## KIT RICAMBI – SPARE KITS

KIT Nr.	KIT 23	KIT 123	KIT 152	KIT 153	KIT 154	KIT 155	KIT 156	KIT 158
Posizioni include Positions included	17	4 - 5 6 - 7 8 - (11)	40 - 41	43 - 44 51	42	45	40 - 41 42 - 43 44 - 45 51	9 - 10
Nr. Pcs.	3	6	3	3	3	3	3	6

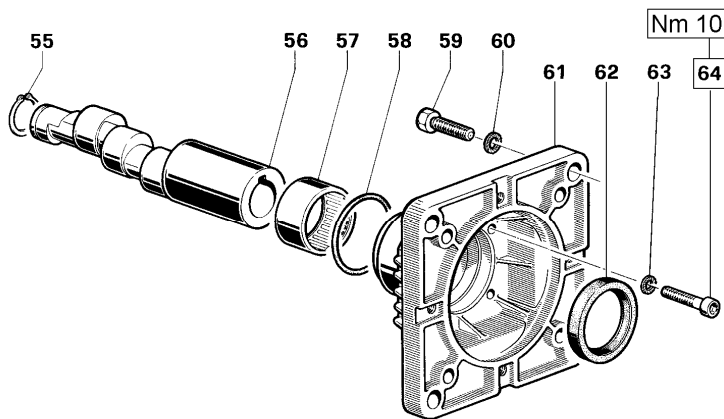
POS	COD.	DESCRIZIONE – DESCRIPTION - KIT	NR
48	96.7380.00	Rosetta Ø 17.5x23x1.5	1
49	96.7514.00	Rosetta Ø 21.5x27x1.5	1
50	98.1967.00	Tappo G 1/8"x8 - NICKEL	1
51	90.2603.00	Anello tenuta Ø 13 LP	153-156

POS	COD.	DESCRIZIONE – DESCRIPTION - KIT	NR
22	44.0501.66	Guida pistone	3
23	44.0300.22	Biella	3
24	90.3920.00	OR Ø 101.27x2.62 (3400)	1
25	44.1600.22	Coperchio posteriore	1
26	99.1837.00	Vite M6x14 UNI 5931	5
27	90.3585.00	OR Ø 10.82x1.78 (2043)	1
28	98.2041.00	Tappo G 1/4"x9	1
29	97.7340.00	Spinotto Ø 10x29.5	3
30	96.6967.00	Rosetta Ø 7.1x28x0.5	3
33	44.0402.66	Pistone Ø 13	3
36	90.1641.00	Anello rad. Ø 25x62x10	1
37	50.2000.74	Piedino	2
38	96.7016.00	Rosetta Ø 8.4 UNI 1751	4
39	99.3037.00	Vite M8x16 UNI 5739	4
40	90.3612.00	OR Ø 31.47x1.78 (2125)	152-156
41	44.0803.70	Anello di fondo Ø 13	152-156
42	52.2162.70	Anello intermedio Ø 13	154-156
43	90.5076.00	Anello antiest. Ø 13x17x2	153-156
44	90.2602.00	Anello tenuta Ø 13 HP	153-156
45	44.1002.51	Anello di testa Ø 13	155-156
46	98.2100.00	Tappo G 3/8"x13	1
47	98.2176.00	Tappo G 1/2"x10	1

POS	COD.	DESCRIZIONE – DESCRIPTION - KIT	NR
1	44.1208.41	Testata Ø 13 - NICKEL	1
2	99.3175.00	Vite M8x60 UNI 5931	8
3	96.7014.00	Rosetta Ø 8.4x13x0.8	8
4	90.3841.00	OR Ø 17.13x2.62 (3068)	123
5	36.2003.66	Sede valvola	123
6	36.2001.76	Valvola	123
7	94.7376.00	Molla Ø 9.4x14.8	123
8	36.2025.51	Guida valvola	123
9	90.3847.00	OR Ø 20.24x2.62 (3081) 90 Sh.	158
10	98.2225.00	Tappo M24x1.5x17 - NICKEL	158
11	36.7115.01	Gruppo valvola aspiraz./mand.	123
12	99.1807.00	Vite M6x10 UNI 5739	8
13	50.1500.74	Coperchio carter	2
14	44.2118.01	Distanziale con indicatore	1
15	90.4097.00	OR Ø 55.56x3.53 (159)	1
16	91.8331.00	Cuscinetto a sfere 6305 – Spec.	2
17	90.1614.00	Anello rad. Ø 20x30x5	23
18	44.0100.22	Carter pompa	1
19	98.2103.00	Tappo carico olio G 3/8"	1
20	44.0200.35	Albero – WW963	1
	44.0203.35	Albero – WW964	1
	44.0206.35	Albero – WW965	1
21	91.4892.00	Linguetta 8x7x35 UNI 6604	1

## VERSION A (for electric motors NEMA 184 TC)

**W950 – W951 – W952 – W953 - W954  
W955 – W956 – W957 – W958 – W959  
W14200 – W16180 - WW964 – WW965**



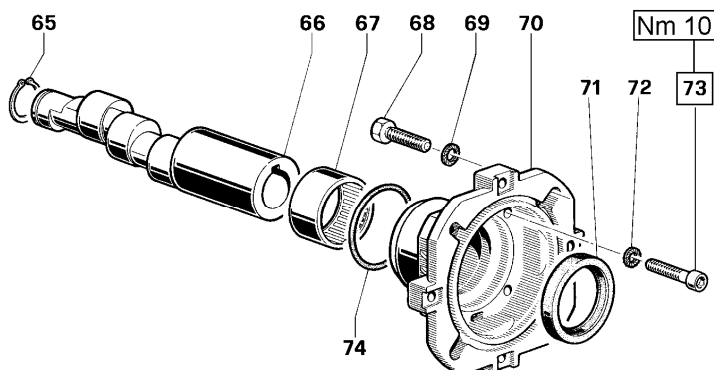
DIS. COD. 44.9501.00

POS	COD.	DESCRIZIONE - DESCRIPTION	NR
55	90.0635.00	Anello di fermo Ø 25	1
56	44.0214.65	Albero - W950-W954-W955-W956 W14200	1
	44.0216.65	Albero - W951-W952-W953-W957 W958-W959-W16180	1
57	91.8568.00	Boccola a rullini	1
58	90.4097.00	OR Ø 55.56x3.53 (159)	1
59	99.4600.00	Vite 1/2"-13x1- 1/4"	4
60	96.7195.00	Rosetta Ø 13x18x1.1	4
61	10.0504.22	Flangia per motore elettrico	1
62	90.1690.00	Anello rad. Ø 45x62x8	1
63	96.6938.00	Rosetta Ø 6.4x10x0.7	4
64	99.1912.00	Vite M6x30 UNI 5931	4

**SERIE 44**

## VERSION B (for electric motors IEC 100-112 B14)

**W97 – W112 – W124 – W130 – W130HH  
W140 – W140HH - W150 – W154  
W154HH – W170 – W200 – W204  
WW116- WW136 – WW156 – WW176  
WW186 - WW206 – WW209**



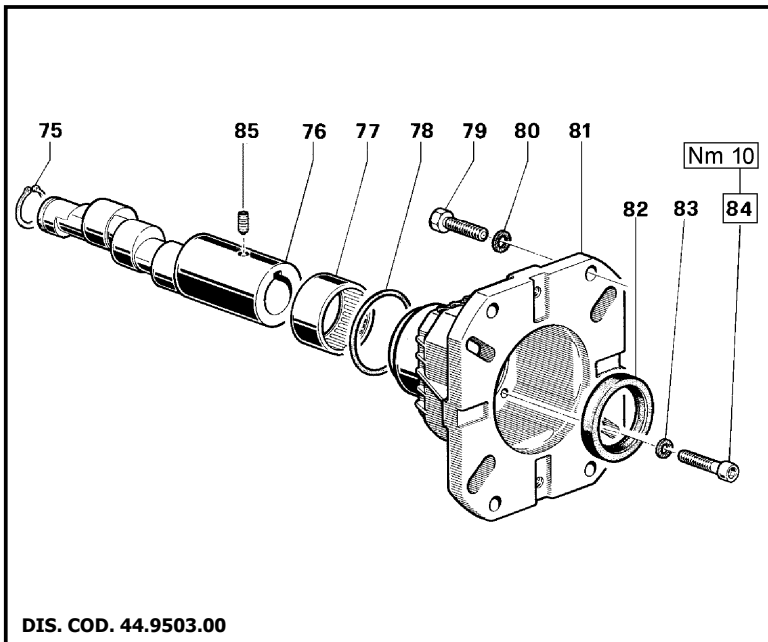
DIS. COD. 44.9502.00

POS	COD.	DESCRIZIONE - DESCRIPTION	NR
65	90.0635.00	Anello di fermo Ø 25	1
66	44.0213.65	Albero - W112-W140-W150-WW116 WW156-WW209-W200	1
	44.0215.65	Albero - W97-W124-W130-W154 W170-WW136-WW176-W204	1
	44.0210.65	Albero - WW186-WW206	1
67	91.8568.00	Boccola a rullini	1
68	99.3067.00	Vite M8x25 UNI 5739	4
69	96.7014.00	Rosetta Ø 8.4x13x0.8	4
70	10.0494.22	Flangia per motore elettrico	1
71	90.1690.00	Anello rad. Ø 45x62x8	1
72	96.6938.00	Rosetta Ø 6.4x10x0.7	4
73	99.1912.00	Vite M6x30 UNI 5931	4
74	90.4097.00	OR Ø 55.56x3.53 (159)	1

**SERIE 44**

# VERSION C (for gasoline engines SAE J 609 type B ext.4)

**WW960 – WW961 – WW962  
WW963 - WW964 – WW965**



POS	COD.	DESCRIZIONE - DESCRIPTION	NR
75	90.0635.00	Anello di fermo Ø 25	1
76	44.0220.65	Albero – WW960	1
	44.0209.65	Albero – WW961-WW963	1
	44.0212.65	Albero – WW962-WW964	1
	44.0221.65	Albero – WW965	1
77	91.8568.00	Boccola a rullini	1
78	90.4097.00	OR Ø 55.56x3.53 (159)	1
79	99.2755.00	Vite 5/16"-24x1"	4
	99.3346.00	Vite 3/8"-16x1-1/4"	4
80	96.7020.00	Rosetta Ø 8.4x15x1.5	4
	96.7104.00	Rosetta Ø 10.5x16x1	4
81	10.0518.22	Flangia per motore a scoppio	1
82	90.1690.00	Anello rad. Ø 45x62x8	1
83	96.6938.00	Rosetta Ø 6.4x10x0.7	4
84	99.1912.00	Vite M6x30 UNI 5931	4
85	99.1790.00	Vite M6x6 UNI 5929	1

**SERIE 44**

# VH VERSION

VERSIONE CON VALVOLA DI REGOLAZIONE AUT. – VERSION WITH BUILT-IN AUT. UNLOADER  
 VERSION AVEC RÉGULATEUR AUT. DE PRESSION INCORPORÉ  
 AUSFÜHRUNG MIT EINGEAUTEM AUT. DRUCKREGULIERVENTIL

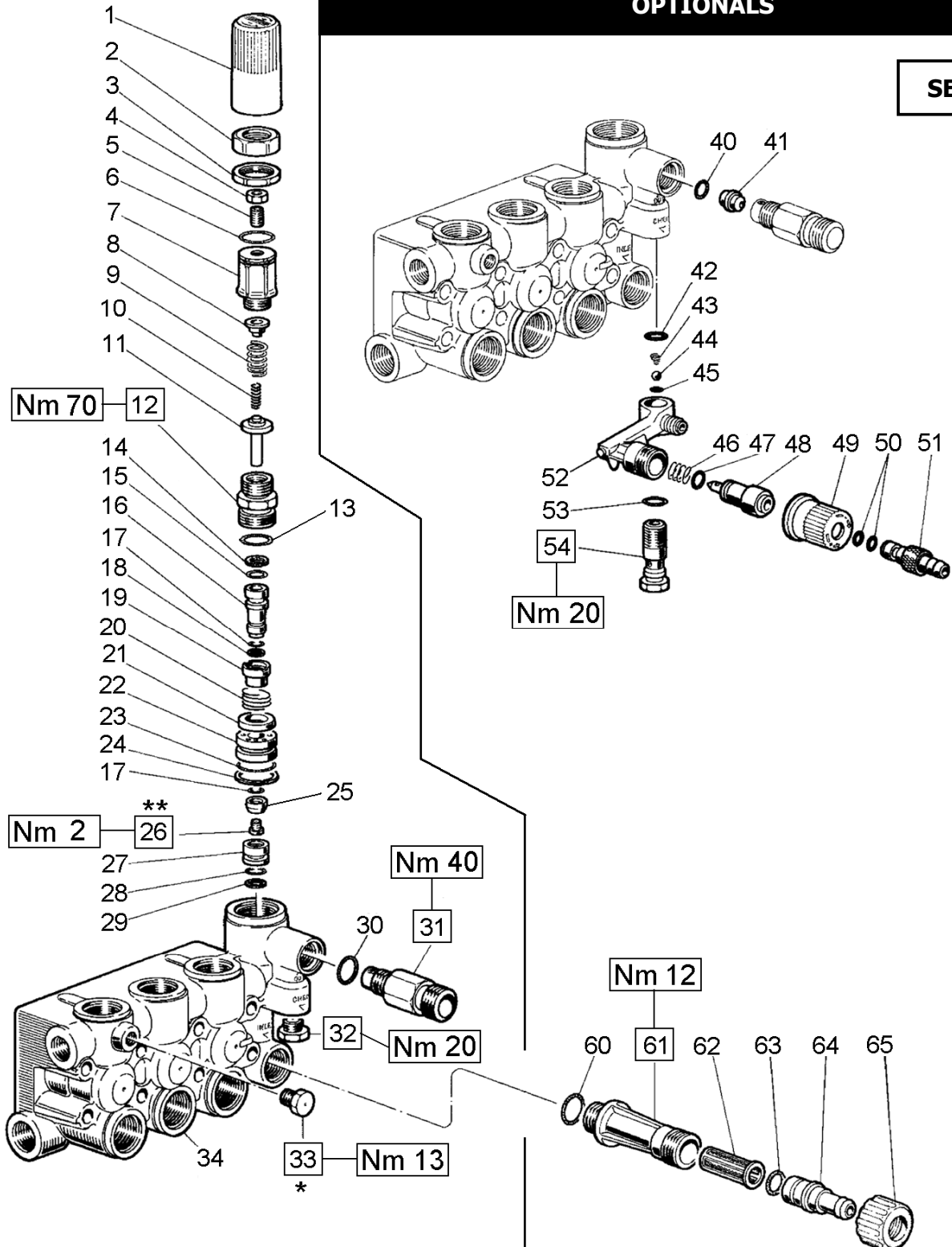
VERSIÓN CON REGULADOR AUT. DE PRESIÓN INCORPORADO - VERSÃO COM VÁLVULA DO REGULAMENTO AUT.

- \* Fissare con Loctite 542 col. ROSSO
- \* Affix with Loctite 542 col. RED
- \* Fixer avec de la Loctite 542 couleur ROUGE
- \* Mit Loctite 542 ROT befestigen
- \* Fijar con Loctite 542 col. ROJO
- \* Fixar com Loctite 542 cor. VERMELHA

- \*\* Fissare con Loctite 270 col. VERDE
- \*\* Affix with Loctite 270 col. GREEN
- \*\* Fixer avec de la Loctite 270 couleur VERT
- \*\* Mit Loctite 270 GRÜN befestigen
- \*\* Fijar con Loctite 270 col. VERDE
- \*\* Fixar com Loctite 270 cor. VERDE

## OPTIONALS

SERIE 44





# VH VERSION

**VERSIONE CON VALVOLA DI REGOLAZIONE AUT. – VERSION WITH BUILT-IN AUT. UNLOADER  
VERSION AVEC RÉGULATEUR AUT. DE PRESSION INCORPORÉ  
AUSFÜHRUNG MIT EINGEBAUTEM AUT. DRUCKREGULIERVENTIL  
VERSIÓN CON REGULADOR AUT. DE PRESIÓN INCORPORADO - VERSÃO COM VÁLVULA DO REGULAMENTO AUT.**

POS	COD.	DESCRIZIONE – DESCRIPTION - KIT	N
1	36.3187.51	Pomolo	1
2	36.3186.70	Ghiera – OPTIONAL	1
3	92.2935.00	Dado M28x1.5 - OPTIONAL	1
4	92.2218.00	Dado M8x13 UNI 5589	1
5	99.3054.00	Vite M8x20 UNI 5923	1
6	90.3598.00	OR Ø 20.35x1.78 (2081)	1
7	36.3185.70	Registro pressione	1
8	36.3169.70	Piattello molla	1
9	94.7436.00	Molla Ø 15x35	1
10	94.7345.00	Molla Ø 7.6x29	1
11	36.3233.70	Piattello inferiore molla	1
12	36.3228.70	Boccola di guida	1
13	90.3857.00	OR Ø 23.81x2.62 (132)	1
14	90.5052.00	Anello antiest. Ø 9.6x14x1.5	137 1
15	90.3820.00	OR Ø 9.13x2.62 (109) – Spec.	137 1
16	36.3234.70	Pistoncino di comando	137 1
17	90.3575.00	OR Ø 6.75x1.78 (106) – Spec.	137 2
18	90.5025.00	Anello antiest. Ø 7x10x1.5	137 1
19	36.3230.70	Distanziale	137 1
20	94.7485.00	Molla Ø 18.5x11,5	137 1
21	36.3231.51	Valvola	137 1
22	36.3229.70	Guida valvola	137 1
23	90.3600.00	OR Ø 21.95x1.78 (2087)	137 1
24	90.5144.00	Anello antiest. Ø 22x25x1.5	137 1
25	36.3190.66	Valvola sferica	137 1
26	99.1509.00	Vite M5x0.8x8.5 – INOX	137 1
27	36.3164.66	Sede valvola	137 1
28	90.3822.00	OR Ø 9.92x2.62 (112) – Spec.	137 1
29	90.5065.00	Anello antiest. Ø 10.6x15x2	137 1
30	90.3832.00	OR Ø 13.95x2.62 (3056) – Spec.	94 1
31	10.0078.70 10.0147.70	Nipplo G 3/8" - Ø3 Nipplo M22x1.5 – Ø3	1 1
32	98.2057.00	Tappo M14x1.5	1

33	98.1966.00	Tappo G 1/8"x8	1
34	44.1201.41 44.1205.41	Testata Ø15 Testata Ø18	11
<b>OPTIONALS</b>			
POS	COD.	DESCRIZIONE – DESCRIPTION - KIT	N
40	90.3822.00	OR Ø 9.92x2.62 (112) – Spec.	94 1
41	10.0151.66 10.0076.66	Ugello – Nozzle Ø 2 (8÷11 l/min.) Ugello – Nozzle Ø 2.2 (12÷17 l/min.)	1 1
42	90.3582.00	OR Ø 9.25x1.78 (2037)	94 1
43	94.8217.00	Molla conica Ø 4.3/7.3x11	94 1
44	97.4782.00	Sfera Ø 7/32"	94 1
45	90.3572.00	OR Ø 5.28x1.78 (2021) – Spec.	94 1
46	94.7383.00	Molla Ø 9.75x10	94 1
47	90.3580.00	OR Ø 8.73x1.78 (108) – Spec.	94 1
48	36.2564.70	Otturatore	1
49	36.2565.51	Pomolo	1
50	90.3570.00	OR Ø 4.48x1.78 (2018)	94 2
51	36.2566.70	Innesto porta-gomma	1
52	36.3181.51	Corpo dosatore	1
53	90.3585.00	OR Ø 10.82x1.78 (2043)	94 1
54	36.2563.70	Sede valvola	1
60	90.3841.00	OR Ø 17.13x2.62 (3068)	1
61	36.3182.51	Nipplo di aspirazione G 3/4"	1
62	92.8925.00	Filtro	1
63	90.3828.00	OR Ø 12.37x2.62 (3050)	1
64	36.2569.51	Porta-gomma aspirazione	1
65	92.9828.00	Ghiera G 3/4"	1

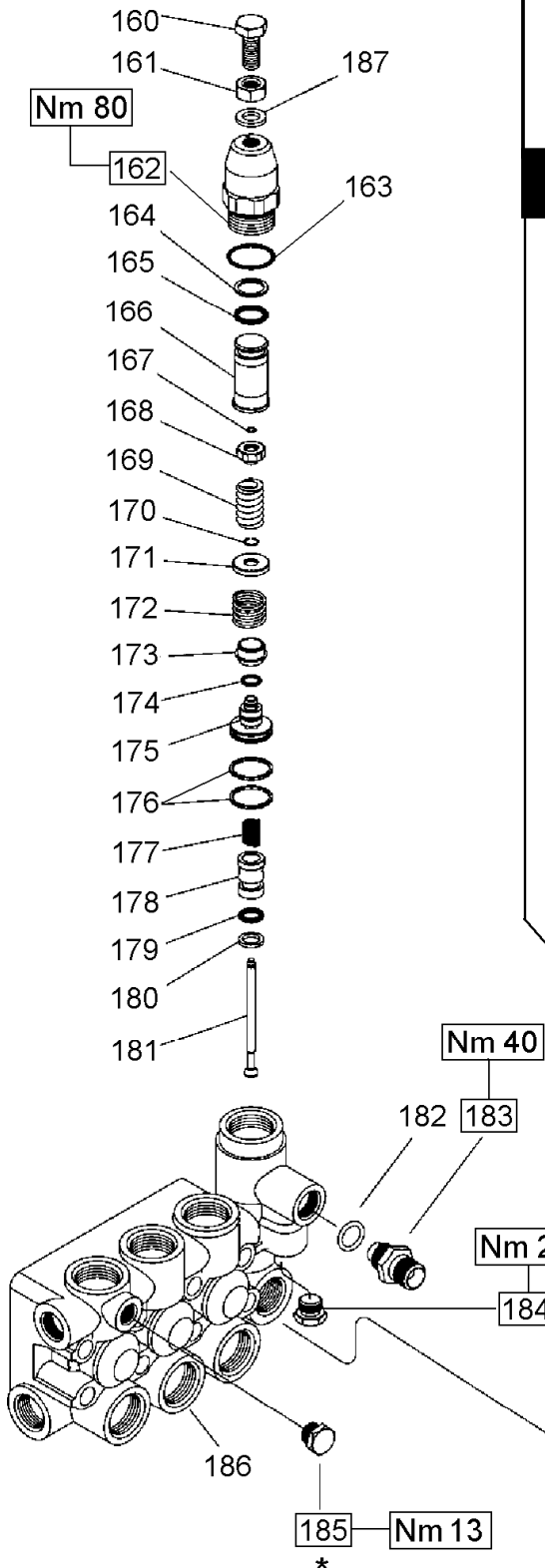
## KIT RICAMBI – SPARE KITS

KIT NR.	KIT 94	KIT 137
<b>Posizioni include Positions included</b>	<b>30 – 40 – 42 43 – 44 – 45 46 – 47 – 50 53</b>	<b>14 – 15 – 16 17 – 18 – 19 20 – 21 – 22 23 – 24 – 25 26 – 27 – 28 29</b>
<b>Nr. Pcs.</b>	<b>1</b>	<b>1</b>

# VK VERSION

VERSIONE CON VALVOLA DI REGOLAZIONE AUT. – VERSION WITH BUILT-IN AUT. UNLOADER  
 VERSION AVEC RÉGULATEUR AUT. DE PRESSION INCORPORÉ  
 AUSFÜHRUNG MIT EINGEAUTEM AUT. DRUCKREGULIERVENTIL

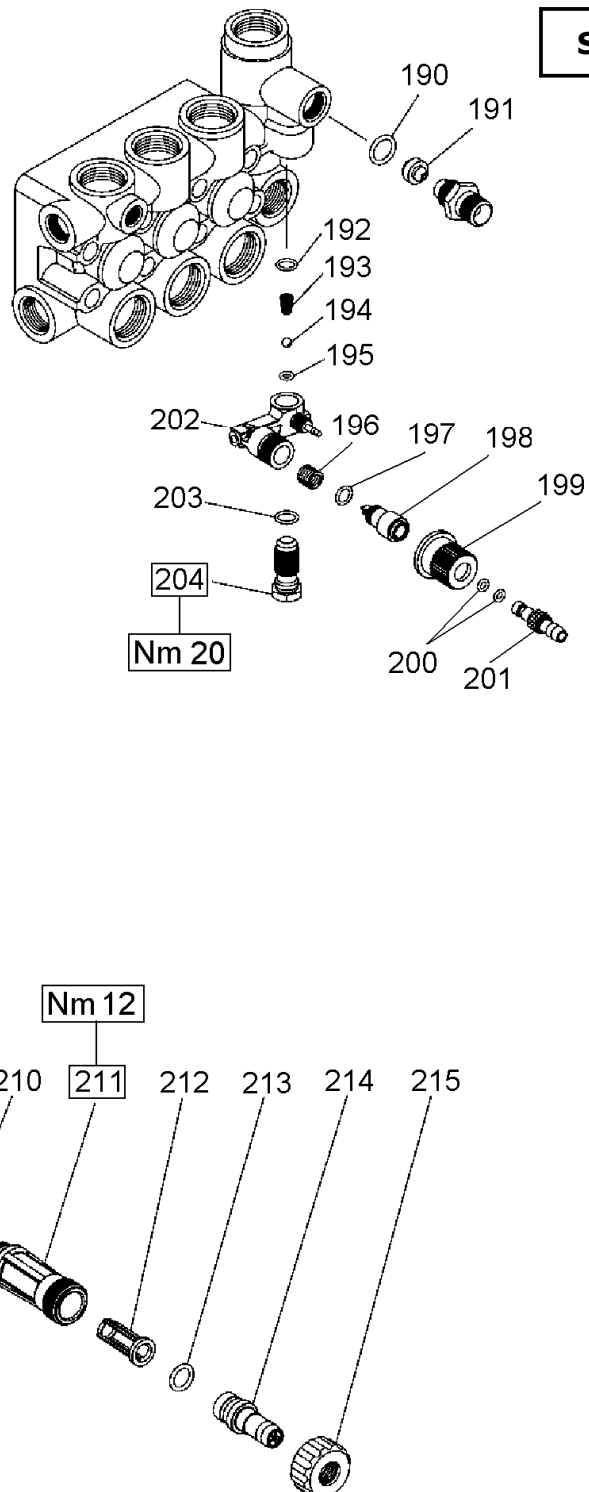
VERSÓN CON REGULADOR AUT. DE PRESIÓN INCORPORADO - VERSÃO COM VÁLVULA DO REGULAMENTO AUT.



- \* Fissare con Loctite 542 col. ROSSO
- \* Affix with Loctite 542 col. RED
- \* Fixer avec de la Loctite 542 couleur ROUGE
- \* Mit Loctite 542 ROT befestigen
- \* Fijar con Loctite 542 col. ROJO
- \* Fixar com Loctite 542 cor. VERMELHA

## OPTIONALS

**SERIE 44**



# VK VERSION

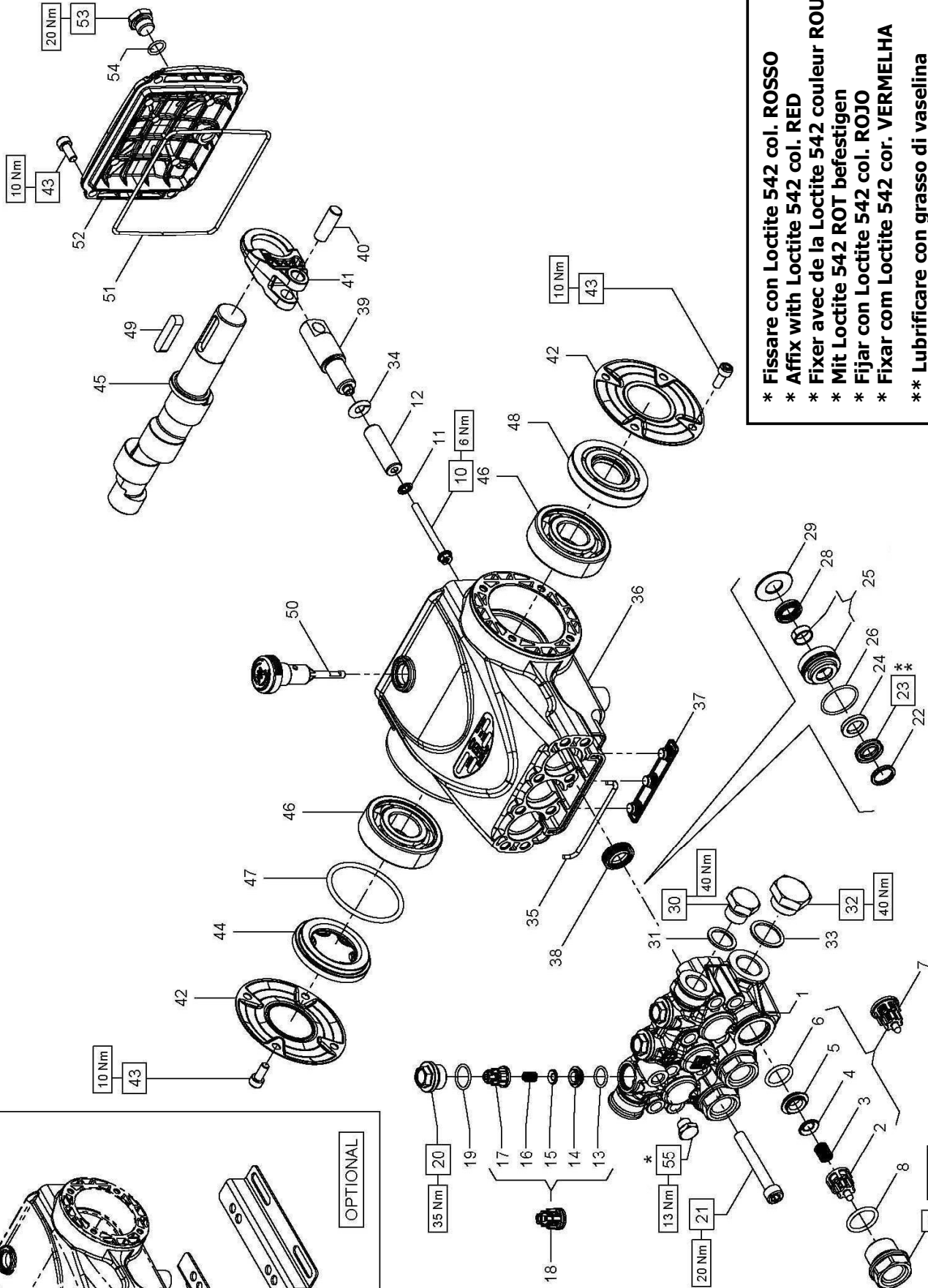
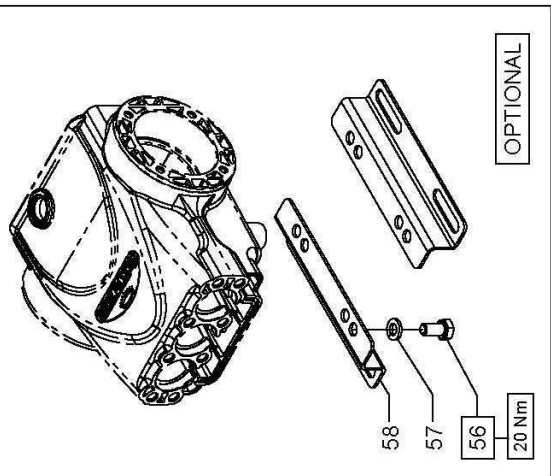
**VERSIONE CON VALVOLA DI REGOLAZIONE AUT. – VERSION WITH BUILT-IN AUT. UNLOADER  
VERSION AVEC RÉGULATEUR AUT. DE PRESSIÒN INCORPORÉ  
AUSFÜHRUNG MIT EINGEBAUTEM AUT. DRUCKREGULIERVENTIL  
VERSIÓN CON REGULADOR AUT. DE PRESIÓN INCORPORADO - VERSÃO COM VÁLVULA DO REGULAMENTO AUT.**

POS	COD.	DESCRIZIONE – DESCRIPTION - KIT	N
160	99.3663.00	Vite M10x1.25x25 UNI 5740	1
161	92.2368.00	Dado M10x1.25 UNI 5589	1
162	36.3270.70	Corpo superiore	1
163	90.3604.00	OR Ø 25.12x1.78 (2100)	1
164	90.5090.00	Anello antiest. Ø 15.8x20x1.3	1
165	90.3835.00	OR Ø 15.08x2.62 (119)	1
166	36.3271.00	Fine corsa	1
167	90.0059.00	Anello di arresto Ø 5 UNI 7433	177 1
168	36.3274.70	Piattello molla	177 1
169	94.7408.00	Molla Ø 12.5x26	177 1
170	90.0062.00	Anello di arresto Ø 8 UNI 7433	177 1
171	36.3273.70	Piattello molla	177 1
172	94.7480.00	Molla Ø 18.2x16.5	177 1
173	36.3277.56	Otturatore	177 1
174	90.3581.00	OR Ø 8.73x1.78 (108)	177 1
175	36.3272.70	Pistoncino di comando	177 1
176	92.7710.00	Fascia elastica Ø 25	177 2
177	94.7372.00	Molla 9.3x15	177 1
178	36.3276.66	Sede valvola	177 1
179	90.3823.00	OR Ø 9.92x2.62 (112)	177 1
180	90.5065.00	Anello antiest. Ø 10.6x15x2	177 1
181	36.3275.66	Asta valvola	177 1
182	90.3832.00	OR Ø 13.95x2.62 (3056) – Spec.	94 1
183	10.0078.70 10.0147.70	Nipplo G 3/8" - Ø 3 Nipplo M22x1.5 – Ø 3	1 1
184	98.2057.00	Tappo M14x1.5	1
185	98.1966.00	Tappo G 1/8"x8	1
186	44.1201.41 44.1205.41	Testata Ø 15 Testata Ø 18	1 1
187	96.7103.00	Rosetta Ø 10.5x18x2	1

OPTIONALS			
POS	COD.	DESCRIZIONE – DESCRIPTION - KIT	N
190	90.3822.00	OR Ø 9.92x2.62 (112) – Spec.	94 1
191	10.0151.66 10.0076.66	Ugello – Nozzle Ø 2 (8÷11 l/min.) Ugello – Nozzle Ø 2.2 (12÷17 l/min.)	1 1
192	90.3582.00	Or Ø 9.25x1.78 (2037)	94 1
193	94.8217.00	Molla conica Ø 4.3/7.3x11	94 1
194	97.4782.00	Sfera Ø 7/32"	94 1
195	90.3572.00	OR Ø 5.25x1.78 (2021) – Spec.	94 1
196	94.7383.00	Molla Ø 9.75x10	94 1
197	90.3580.00	OR Ø 8.73x1.78 (108) – Spec.	94 1
198	36.2564.70	Otturatore	1
199	36.2565.51	Pomolo	1
200	90.3570.00	OR Ø 4.48x1.78 (2018)	94 2
201	36.2566.70	Innesto porta-gomma	1
202	36.3181.51	Corpo dosatore	1
203	90.3585.00	OR Ø 10.82x1.78 (2043)	94 1
204	36.2563.70	Sede valvola	1
210	90.3841.00	OR Ø 17.13x2.62 (3068)	1
211	36.3182.51	Nipplo di aspirazione G 3/4"	1
212	92.8925.00	Filtro	1
213	90.3828.00	OR Ø 12.37x2.62 (3050)	1
214	36.2569.51	Porta-gomma aspirazione	1
215	92.9828.00	Ghiera G 3/4"	1

## KIT RICAMBI – SPARE KITS

KIT NR.	KIT 94	KIT 177
<b>Posizioni incluse Positions included</b>	<b>182 – 190 – 192 193 – 194 – 195 196 – 197 – 200 203</b>	<b>167 – 168 – 169 170 – 171 – 172 173 – 174 – 175 176 – 177 – 178 179 – 180 -181</b>
<b>Nr. Pcs.</b>	<b>1</b>	<b>1</b>



\* Fissare con Loctite 542 col. ROSSO  
 \* Affix with Loctite 542 col. RED  
 \* Fixer avec de la Loctite 542 couleur ROUGE  
 \* Mit Loctite 542 ROT befestigen  
 \* Fijar con Loctite 542 col. ROJO  
 \* Fixar com Loctite 542 cor. VERMELHA  
 \*\* Lubrificare con grasso di vaselina  
 \*\* To lubricate with vaseline grease  
 \*\* Lubrifier avec gras des vaseline  
 \*\* Sich mit fett zum vaselin schmieren  
 \*\* Para lubricar con la grasa de vaselina  
 \*\* Para lubrificar com a graxa de vaselina

**SERIE 58**

**DIS. COD. 58.9500.00**



**E2B2008 - E2B2808 - E2B2010 - E2B1711 - E2B1712**  
**E2B1713 - E2B2014 - E2C2109 - E2C2809 - E2C2111**  
**E2C2112 - E2C1713 - E2C1714 - E2C1715 - E2C2016**  
**E2D2010 - E2D2810 - E2D2011 - E2D2811 - E2D2812**  
**E2D2013 - E2D2813 - E2D2015 - E2D2016 E2E2108**  
**E2E2808 - E2E2810 - E2E2111 E2E2811 - E2E2812**  
**E2E2113 - E2E2813 E2E2114 - E2E2815 - E2E2116**

PISTON Ø 13		PISTON Ø 15		PISTON Ø 18	
E2B2808 - E2D2810	E2B2008 - E2B2010	E2B1711 - E2B1712			
E2D2811 - E2D2812	E2C2109 - E2C2809	E2B1713 - E2B2014			
E2D2813 - E2E2808	E2C2111 - E2C2112	E2C1713 - E2C1714			
E2E2810 - E2E2812	E2D2010 - E2D2011	E2C1715 - E2C2016			
E2E2813 - E2E2811	E2D2013 - E2D2015				
	E2D2016 - E2E2108				
	E2E2111 - E2E2113				
	E2E2815 - E2E2116				
	E2E2114				

POS	COD.	DESCRIZIONE - DESCRIPTION - KIT	NR
1	58.1200.41	Testata pompa Ø 13	1
	58.1201.41	Testata pompa Ø 15	1
	58.1202.41	Testata pompa Ø 18	1
2	36.2025.51	Guida valvola d'aspirazione	269
3	94.7376.00	Molla Ø 9.4x14.8	269
4	36.2001.76	Valvola sferica	269
5	36.2003.66	Sede valvola d'aspirazione	269
6	90.3841.00	OR Ø 17.13x2.62 NBR 70SH 3068	269
7	36.7115.01	Gruppo valvola d'aspirazione	269
8	90.3847.00	OR Ø 20.24x2.62 NBR 90SH 3081	270
9	98.2226.00	Tappo M24x1.5x16.7	270
10	99.1690.00	Vite M5x55	3
11	96.6905.00	Rosetta Ø 5x11.5x0.4	3
12	58.0400.09	Pistone Ø 13x42	3
	58.0401.09	Pistone Ø 15x42	3
	58.0402.09	Pistone Ø 18x42	3
13	90.3589.00	OR Ø 12.42x1.78 NBR 70SH 2050	269
14	36.2113.66	Sede valvola di mandata	269
15	36.2112.76	Valvola sferica	269
16	94.7333.00	Molla Ø 6.2x10.4	269
17	36.2111.51	Guida valvola di mandata	269
18	36.7193.01	Gruppo valvola mandata	269

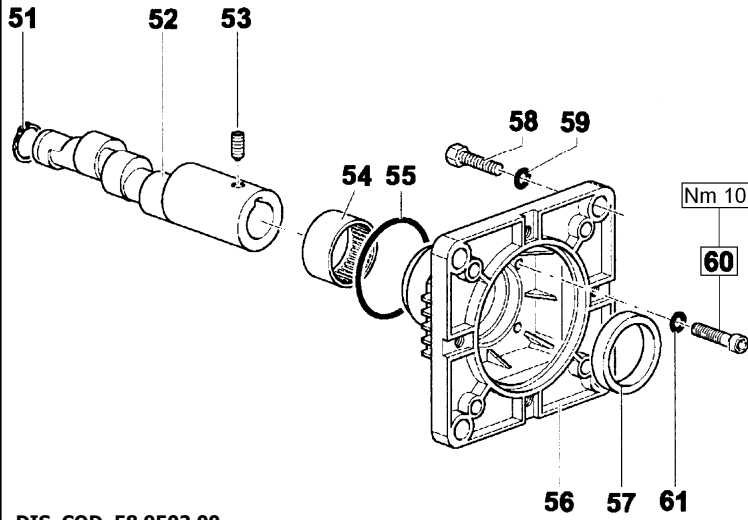
## KIT RICAMBI - SPARE KITS

KIT Nr.	KIT 269	KIT 270	KIT 271	PIST. Ø 13			PIST. Ø 15			PIST. Ø 18		
				KIT 272	KIT 275	KIT 273	KIT 276	KIT 274	KIT 277			
Posizioni incluse Positions included	2 - 3 - 4 5 - 6 - 13 14 - 15 - 16 17 - (7) - (18)	8 - 9 19 - 20	38	22 - 23 24 - 26 28	22 - 23 24 - 25 26 - 28 29	22 - 23 24 - 26 28	22 - 23 24 - 25 26 - 28 29	22 - 23 24 - 26 28	22 - 23 24 - 25 26 - 28 29	22 - 23 24 - 25 26 - 28 29	22 - 23 24 - 25 26 - 28 29	
Nr. Pcs.	3 + 3	3 + 3	3	3	1	3	1	3	1	3	1	

POS	COD.	DESCRIZIONE - DESCRIPTION - KIT	NR
19	90.3593.00	OR Ø 15.60x1.78 NBR 70SH 2062	270
20	98.2137.00	Tappo M18x1.5x10	270
21	99.3175.00	Vite M8x60 UNI 5931	8
22	44.1002.51	Anello di testa Ø 13	272-275
	63.1010.51	Anello di testa Ø 15 HP	273-276
	63.1011.51	Anello di testa Ø 18 HP	274-277
23	90.2602.00	An. ten. alt. Ø13x21x4 HP	272-275
	90.2611.00	An. ten. alt. Ø15x24x5.4/3.4 HP	273-276
	90.2653.50	An. ten. alt. Ø18x28x6/3.7 HP	274-277
24	90.5076.50	Anello antiest. Ø 13x21x3	272-275
	90.5089.90	Anello antiest. Ø 15x24x2	273-276
	90.5111.50	Anello antiest. Ø 18x28x2	274-277
25	58.6056.01	Gr. supp. guarn./boccola Ø 13	275
	58.6057.01	Gr. supp. guarn./boccola Ø 15	276
	58.6058.01	Gr. supp. guarn./boccola Ø 18	277
26	90.3606.00	OR Ø 26.7x1.78 NBR 70SH 2106	272-273-274-275-276-277
28	90.2601.00	Anello ten. alt. Ø 13x20x5 LP	272-275
	90.2608.00	Anello ten. alt. Ø 15x22x5 LP	273-276
	90.2650.00	Anello ten. alt. Ø 18x24x5 LP	274-277
29	58.2106.70	Anello per tenuta Ø 13	275
	58.2107.70	Anello per tenuta Ø 15	276
	58.2108.70	Anello per tenuta Ø 18	277
30	98.2100.00	Tappo G 3/8"x13	1
31	96.7380.00	Rosetta Ø 17.5x23x1.5	1
32	98.2176.00	Tappo G 1/2"x10	1
33	96.7514.00	Rosetta Ø 21.5x27x1.5	1
34	96.6980.00	Rosetta Ø 7.5x18x0.5	3
35	58.2105.82	Guarnizione spugna Ø 3x94	1
36	58.0100.22	Carter pompa	1
37	58.2104.51	Protezione	1
38	90.1565.50	Anello rad. Ø 15x24x5/7	271
39	58.0500.66	Guida pistone	3

# VERSION A (for electric motors NEMA 184 TC)

**E2C2109 – E2C2111 – E2C1713  
E2C1714 – E2C1715**



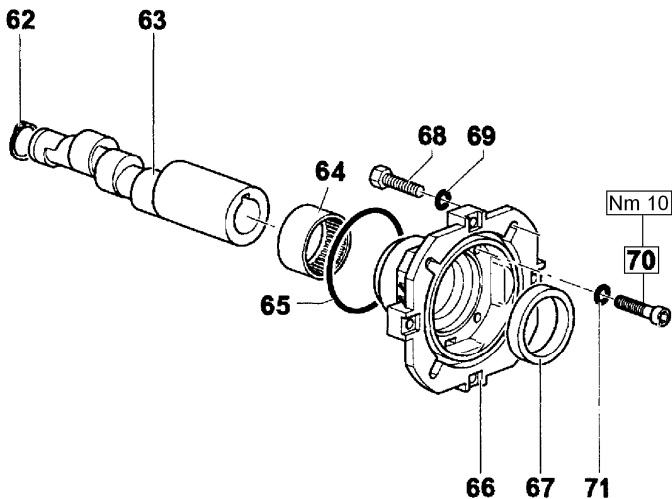
DIS. COD. 58.9502.00

POS	COD.	DESCRIZIONE - DESCRIPTION	NR
51	90.0635.00	Anello di fermo Ø 25 UNI 7435	1
52	63.0232.65 63.0236.65 63.0294.65	Albero – E2C1713-E2C2109 Albero – E2C1715-E2C2111 Albero – E2C1714	1
53	99.1790.00	Vite M6x6 UNI 5929	1
54	91.8568.00	Boccola a rullini Ø 45x52x20	1
55	90.4097.00	OR Ø 55.56x3.56 NBR 70SH 159	1
56	10.0504.22	Flangia per motore elettrico	1
57	90.1687.00	Anello rad. Ø 45x60x8	1
58	99.4600.00	Vite 1/2"x1-1/4"	4
59	96.7195.00	Rosetta Ø 13x18x1.1	4
60	99.1912.00	Vite M6x30 UNI 5931	4
61	96.6938.00	Rosetta Ø 6.4x10x0.7	4

**SERIE 58**

# VERSION B (for electric motors IEC 100-112 B14)

**E2B2008 – E2B2010 – E2B1711 – E2B1712  
E2B1713 – E2B2014 – E2B2808 – E2D2010  
E2D2011 – E2D2013 – E2D2015 – E2D2016  
E2D2810 – E2D2811 – E2D2812 – E2D2813**



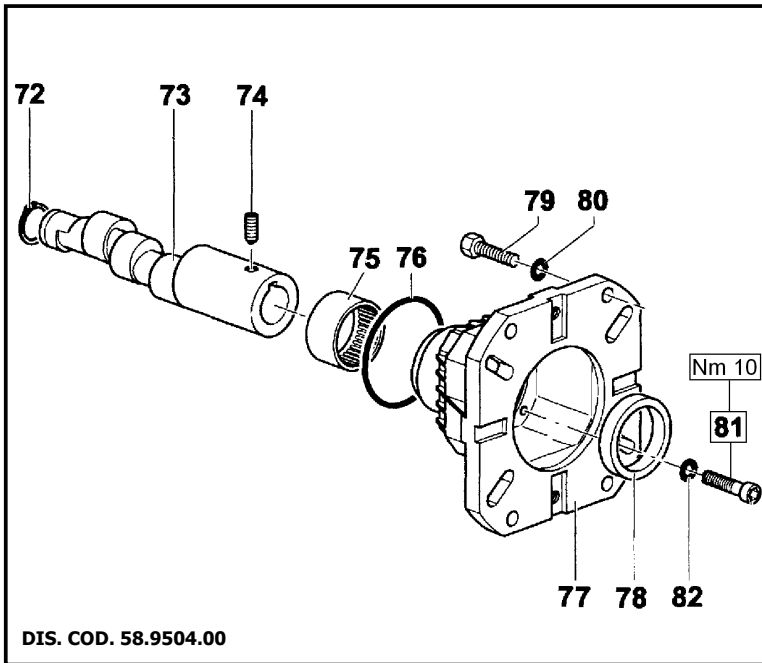
DIS. COD. 58.9503.00

POS	COD.	DESCRIZIONE - DESCRIPTION	NR
62	90.0635.00	Anello di fermo Ø 25 UNI 7435	1
63	63.0245.65 63.0248.65 63.0252.65 63.0256.65 63.0295.65 63.0293.65	Albero – E2D2010 Albero – E2D2011 Albero – E2B1711-E2B2008 E2D2810-E2D2013 Albero – E2B1713-E2D2016-E2D2812 Albero – E2B2010-E2B2014 E2B2808-E2D2813 Albero – E2B1712-E2D2015-E2D2811	1
64	91.8568.00	Boccola a rullini Ø 45x52x20	1
65	90.4097.00	OR Ø 55.56x3.56 NBR 70SH 159	1
66	10.0494.22	Flangia per motore elettrico	1
67	90.1697.00	Anello rad. Ø 45x60x8	1
68	99.3067.00	Vite M8x25 UNI 5739	4
69	96.7014.00	Rosetta Ø 8.4x13x0.8	4
70	99.1912.00	Vite M6x30 UNI 5931	4
71	96.6938.00	Rosetta Ø 6.4x10x0.7	4

**SERIE 58**

# VERSION C 1" (for gasoline engines SAE J 609 type B ext.4)

**E2E2111 – E2E2113 – E2E2114 – E2E2116  
E2E2808 – E2E2810 – E2E2811 – E2E2812  
E2E2813 – E2E2815**

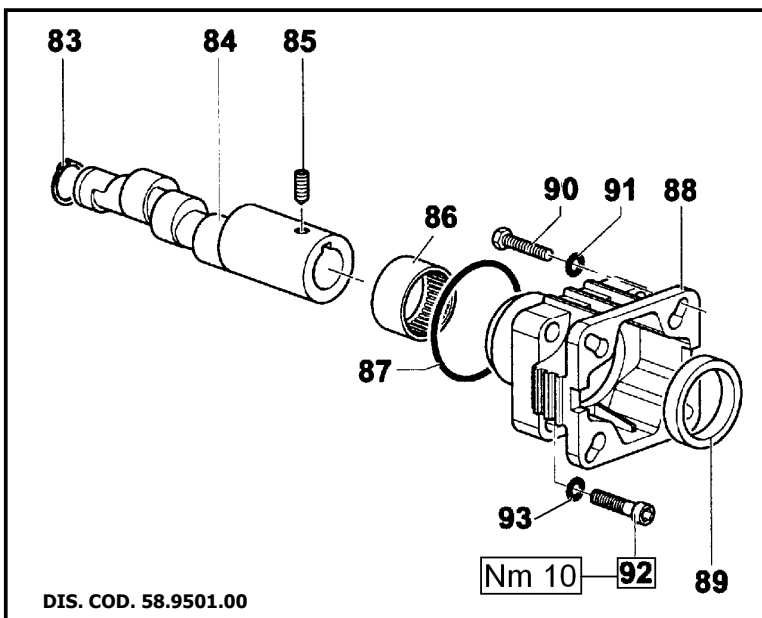


POS	COD.	DESCRIZIONE - DESCRIPTION	NR
72	90.0635.00	Anello seeger Ø 25	1
73	63.0277.65 63.0280.65 63.0282.65 63.0284.65 63.0292.65 63.0290.65	Albero - E2E2111-E2E2808 Albero - E2E2113-E2E2810 Albero - E2E2811-E2E2114 Albero - E2E2116-E2E2812 Albero - E2E2813 Albero - E2E2815	1
74	99.1790.00	Vite M6x6 UNI 5929	1
75	91.8568.00	Boccola a rullini Ø 45x52x20	1
76	90.4097.00	OR Ø 55.56x3.56 NBR 70SH 159	1
77	10.0518.22	Flangia per motore a scoppio	1
78	90.1687.00	Anello rad. Ø 45x60x8	1
79	99.2755.00 99.3346.00	Vite 5/16"x1" Vite 3/8"x1"-1/4"	4
80	96.7020.00 96.7104.00	Rosetta Ø 8.4x15x1.5 Rosetta Ø 10.5x16x1	4
81	99.1912.00	Vite M6x30 UNI 5931	4
82	96.6938.00	Rosetta Ø 6.4x10x0.7	4

**SERIE 58**

# VERSION C 3/4" (for gasoline engines SAE J 609 type A ext.3)

**E2E2108 – E2E2111 – E2E2113**



POS	COD.	DESCRIZIONE - DESCRIPTION	NR
83	90.0635.00	Anello seeger Ø 25	1
84	63.0262.65 63.0264.65 63.0266.65	Albero - E2E2108 Albero - E2E2111 Albero - E2E2113	1
85	99.1790.00	Vite M6x6 UNI 5929	1
86	91.8568.00	Boccola a rullini Ø 45x52x20	1
87	90.4097.00	OR Ø 55.56x3.53 NBR 70SH 159	1
88	10.0617.22	Flangia motore a scoppio	1
89	90.1687.00	Anello rad. Ø 45x60x8	1
90	99.2730.00	Vite 5/16"x3/4"x24	4
91	96.7014.00	Rosetta Ø 8.4x13x0.8	4
92	99.1912.00	Vite M6x30 UNI 5931	4
93	96.6938.00	Rosetta Ø 6.4x10x0.7	4

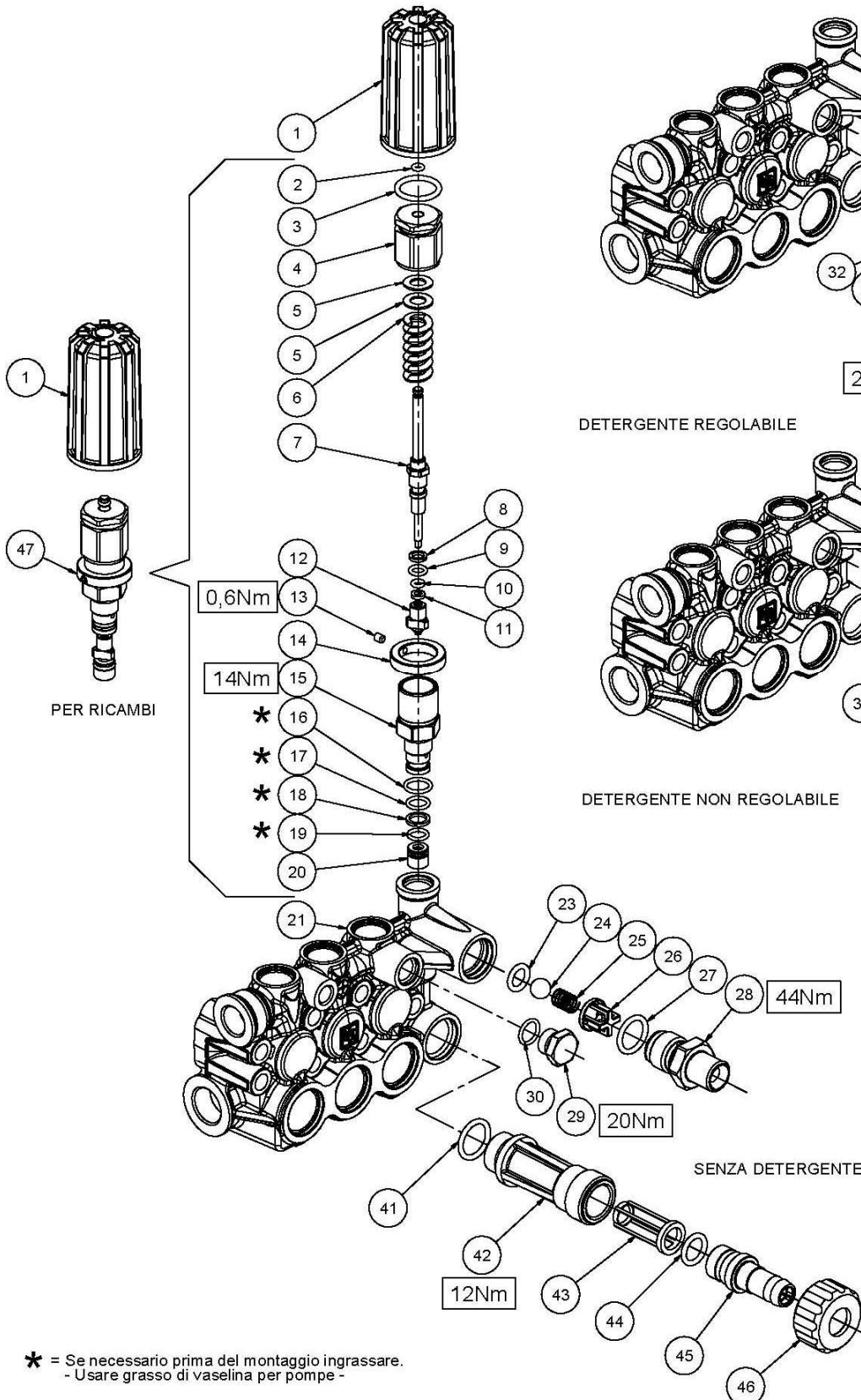
**SERIE 58**

# VH VERSION

VERSIONE CON VALVOLA DI REGOLAZIONE AUT. – VERSION WITH BUILT-IN AUT. UNLOADER  
 VERSION AVEC RÉGULATEUR AUT. DE PRESSION INCORPORÉ  
 AUSFÜHRUNG MIT EINGEAUTEM AUT. DRUCKREGULIERVENTIL

VERSIÓN CON REGULADOR AUT. DE PRESIÓN INCORPORADO - VERSÃO COM VÁLVULA DO REGULAMENTO AUT.

## OPTIONALS



DETERGENTE REGOLABILE

DETERGENTE NON REGOLABILE

SENZA DETERGENTE

\* = Se necessario prima del montaggio ingrassare.  
 - Usare grasso di vaselina per pompe -

**SERIE 58**

DIS. COD. 36.9547.00



# VH VERSION

**VERSIONE CON VALVOLA DI REGOLAZIONE AUT. – VERSION WITH BUILT-IN AUT. UNLOADER  
VERSION AVEC RÉGULATEUR AUT. DE PRESSION INCORPORÉ  
AUSFÜHRUNG MIT EINGEBAUTEM AUT. DRUCKREGULIERVENTIL  
VERSIÓN CON REGULADOR AUT. DE PRESIÓN INCORPORADO - VERSÃO COM VÁLVULA DO REGULAMENTO AUT.**

POS	COD.	DESCRIZIONE – DESCRIPTION - KIT	NR
1	36.3485.51	Pomolo di regolazione	1
2	90.3566.00	OR Ø 2.90x1.78 NBR 70 Sh. 2012	1
3	90.3845.00	OR Ø 18.72x2.62 NBR 70 Sh. 3075	1
4	36.3481.70	Registro di pressione	1
5	36.3486.51	Rondella di scorrimento	2
6	94.7395.00	Molla Ø 11.3x34.5	1
7	N.A.	Pistoncino di comando	1
8	N.A.	Anello antiest. Ø 6.1x9x1.5	1
9	N.A.	OR Ø 6.07x1.78 NBR 70 Sh. 2025	1
10	N.A.	OR Ø 3.69x1.78 NBR 70 Sh. 2015	1
11	N.A.	Anello antiest. Ø 4x7x1.5	1
12	N.A.	Otturatore	1
13	99.1267.00	Vite M4x5 UNI 5929	1
14	36.3477.70	Ghiera di pressione massima	1
15	N.A.	Boccola di guida	1
16	90.3587.00	OR Ø 11.11x1.78 NBR 70 Sh. 114	1
17	90.3581.00	OR Ø 8.73x1.78 NBR 70 Sh. 108	1
18	90.5038.00	Anello antiest. Ø 9x12x1.5	1
19	90.3578.00	OR Ø 7.66x1.78 NBR 70 Sh. 2031	1
20	36.3483.66	Sede	1
21	58.1205.41 58.1204.41 58.1203.41	Testata pompa con valv. integ. Ø 18 Testata pompa con valv. integ. Ø 15 Testata pompa con valv. integ. Ø 13	1
23	90.3823.00	OR Ø 9.92x2.62 NBR 70 Sh. 112	278 1
24	97.4838.00	Sfera Ø 13/32"	278 1
25	94.7355.00	Molla Ø 8.5x12	278 1
26	36.3104.51	Guida valvola	278 1
27	90.3839.00	OR Ø 15.88x2.62 NBR 70 Sh. 121	278 1
28	36.3490.70 36.3489.70 36.3488.70 36.3487.70 34.3479.70	Nipplo 3/8" NPT – F – Ø3 Nipplo G 3/8" – F – Ø3 Nipplo M22x1.5 – Ø3 Nipplo 3/8" NPT – M – Ø3 Nipplo G 3/8" – M – Ø3	1
29	98.2041.00	Tappo G 1/4"x9	1

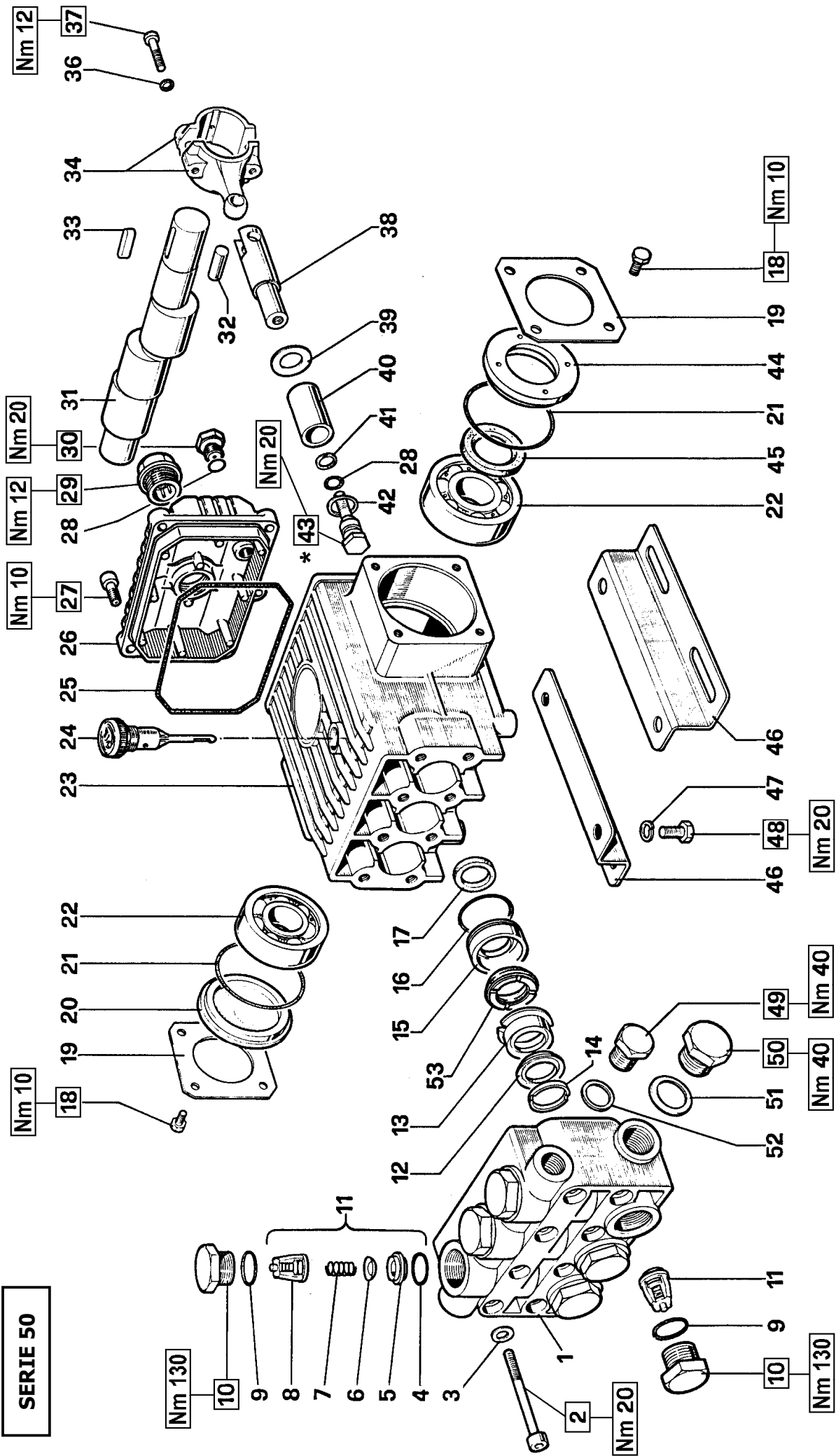
POS	COD.	DESCRIZIONE – DESCRIPTION - KIT	NR
30	90.3585.00	OR Ø 10.82x1.78 NBR 70 Sh. 2043 279-280	1
31	10.0795.66 10.0798.66	Ugello per iniettore Ø 2 Ugello per iniettore Ø 2.2	1
32	94.8217.00	Molla conica Ø 4.3/7.3x11	279-280 1
33	97.4782.00	Sfera Ø 7/32"	279-280 1
34	90.3573.00	OR Ø 5.28x1.78 NBR 70 Sh. 2021 279-280	2
35	36.3482.70	Sede valvola detergente	279 1
36	97.6615.00	Spina elastica Ø 2x12 UNI 6873	279 1
37	94.7334.00	Molla Ø 6.4x12.5	279 1
38	36.3484.51	Pomolo detergente rosso	279 1
39	36.3342.70	Otturatore con portagomma	279 1
40	36.3492.70	Portagomma	280 1
47	36.6054.01	Frutto valvola con sede	278 1
<b>OPTIONALS</b>			
41	90.3841.00	OR Ø 17.13x2.62 NBR 70 Sh. 3068	1
42	36.3182.51	Nipplo aspirazione G 3/4"	1
43	92.8925.00	Filtro Ø 12x35	1
44	90.3828.00	OR Ø 12.37x2.62 NBR 70 Sh. 3050	1
45	36.2569.51	Portagomma aspirazione	1
46	92.9828.00	Ghiera G 3/4" – Ø 15	1

**N.A. : NOT AVAILABLE – PARTICOLARE NON FORNITO**

## KIT RICAMBI – SPARE KITS

KIT NR.	KIT 278	KIT 279	KIT 280
<b>Posizioni include Positions included</b>	<b>23 - 24 25 - 26 27 - 47</b>	<b>30 - 32 33 - 34 35 - 36 37 - 38 39</b>	<b>30 - 32 33 - 34 40</b>
<b>Nr. Pcs.</b>	-	-	-

**SERIE 50**



\* Fissare con Loctite 542 col. ROSSO  
 \* Affix with Loctite 542 col. RED  
 \* Fixer avec de la Loctite 542 couleur ROUGE  
 \* Mit Loctite 542 ROT befestigen  
 \* Fijar con Loctite 542 col. ROJO  
 \* Fixar com Loctite 542 cor. VERMELHA



**W70 – W71 – W91 – W98**  
**W99 – W995 – W996**  
**W997 – WS137 – WS149**

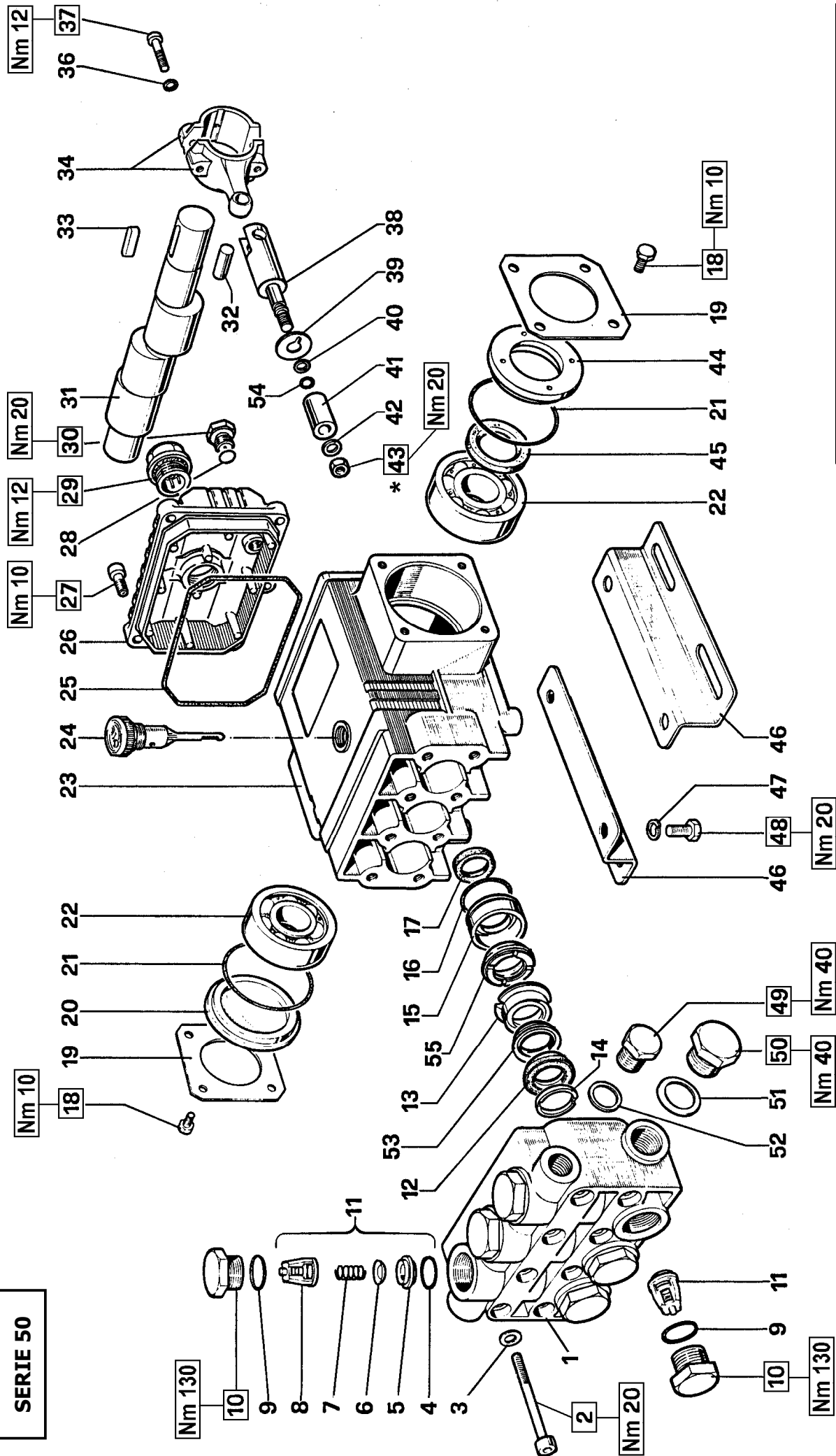
POS	COD.	DESCRIZIONE – DESCRIPTION - KIT	NR
1	50.1200.22 50.1200.41	Testata pompa Ø 20 – NICKEL Testata pompa Ø 20	1 1
2	99.3175.00	Vite M8x60 UNI 5931	8
3	96.7014.00	Rosetta Ø 8,4x13x0.8	8
4	90.3841.00	OR Ø 17.13x2.62 (3068)	1 6
5	36.2003.66	Sede valvola	1 6
6	36.2001.76	Valvola sferica	1 6
7	94.7376.00	Molla Ø 9,4x14,8	1 6
8	36.2002.51	Guida valvola	1 6
9	90.3847.00	OR Ø 20,24x2,62 90 Sh. (3081)	4 6
10	98.2220.00	Tappo M24x2x16,5	4 6
11	36.7032.01	Gruppo valvola aspiraz./mandata	1 6
12	90.2703.00	Anello ten. alt. Ø20x30x5,5/3 HP 19-27	3
13	50.2166.70	Anello intermedio Ø 20	20-27 3
14	50.1000.51	Anello di testa Ø 20	21-27 3
15	50.0805.70	Anello di fondo Ø 20	22-27 3
16	90.3612.00	OR Ø 31,47x1,78 (2125)	22-27 3
17	90.1614.00	Anello rad. Ø 20x30x5	23 3
18	99.1807.00	Vite M6x10 UNI 5739	8
19	50.1500.74	Coperchi laterale o carter	2
20	50.2116.51	Distanziale	1
21	90.4097.00	OR Ø 55,56x3,53 (159)	2
22	91.8329.00	Cuscinetto a sfere 6305	2

**KIT RICAMBI – SPARE KITS**

KIT Nr.	KIT 1	KIT 4	KIT 6	KIT 19	KIT 20	KIT 21	KIT 22	KIT 23	KIT 27
Posizioni include Positions included	4 - 5 6 - 7 8 (11)	9 - 10	28 - 39 41 - 42 43	12 - 53	13	14	15 - 16	17	12 - 13 14 - 15 16 - 53
Nr. Pcs.	6	6	3	3	3	6	3	3	1

POS	COD.	DESCRIZIONE – DESCRIPTION - KIT	NR
23	50.0100.22	Carter pompa	1
24	98.2103.00	Tappo carico olio G 3/8"	1
25	90.3920.00	OR Ø 101.27x2.62 (3400)	1
26	50.1600.22	Coperchio posteriore carter	1
27	99.1837.00	Vite M6x14 UNI 5931	5
28	90.3585.00	OR Ø 10,82x1,78 (2043)	6 4
29	97.5968.00	Spia livello olio G 3/4"	1
30	98.2041.00	Tappo G 1/4"x9	1
31	50.0201.35 50.0205.35	Albero - W71-W91-W99-W996-W997-WS137 Albero - W70-W98-W995-WS149	1 1
32	97.7330.00	Spinotto Ø 9x19,5	3
33	91.4878.00	Linguetta 8x7x25 UNI 6604	1
34	50.0300.01 50.0303.01	Biella completa Biella completa - WS137-W997-WS149	3 3
36	96.6939.00	Rosetta Ø6.4x10x0.7	6
37	99.1927.00	Vite M6x35 UNI 5931	6
38	50.0501.56	Guida pistone	3
39	96.7286.00	Rosetta Ø 14x28x0.5	6 3
40	50.0404.09	Pistone Ø 20x40	3
41	90.5067.00	Anello antiest. Ø 11x14x1.5	6 3
42	96.7280.00	Rosetta Ø 14x18,5x0.5	6 3
43	47.2195.66	Vite fissaggio pistone	6 3
44	50.2115.51	Distanziale	1
45	90.1634.00	Anello rad. Ø 25x42x7	1

**SERIE 50**



\* Fissare con Loctite 542 col. ROSSO  
 \* Affix with Loctite 542 col. RED  
 \* Fixer avec de la Loctite 542 couleur ROUGE  
 \* Mit Loctite 542 ROT befestigen  
 \* Fijar con Loctite 542 col. ROJO  
 \* Fixar com Loctite 542 cor. VERMELHA



# WW141 – WW161 WW935 - WW944

## KIT RICAMBI – SPARE KITS

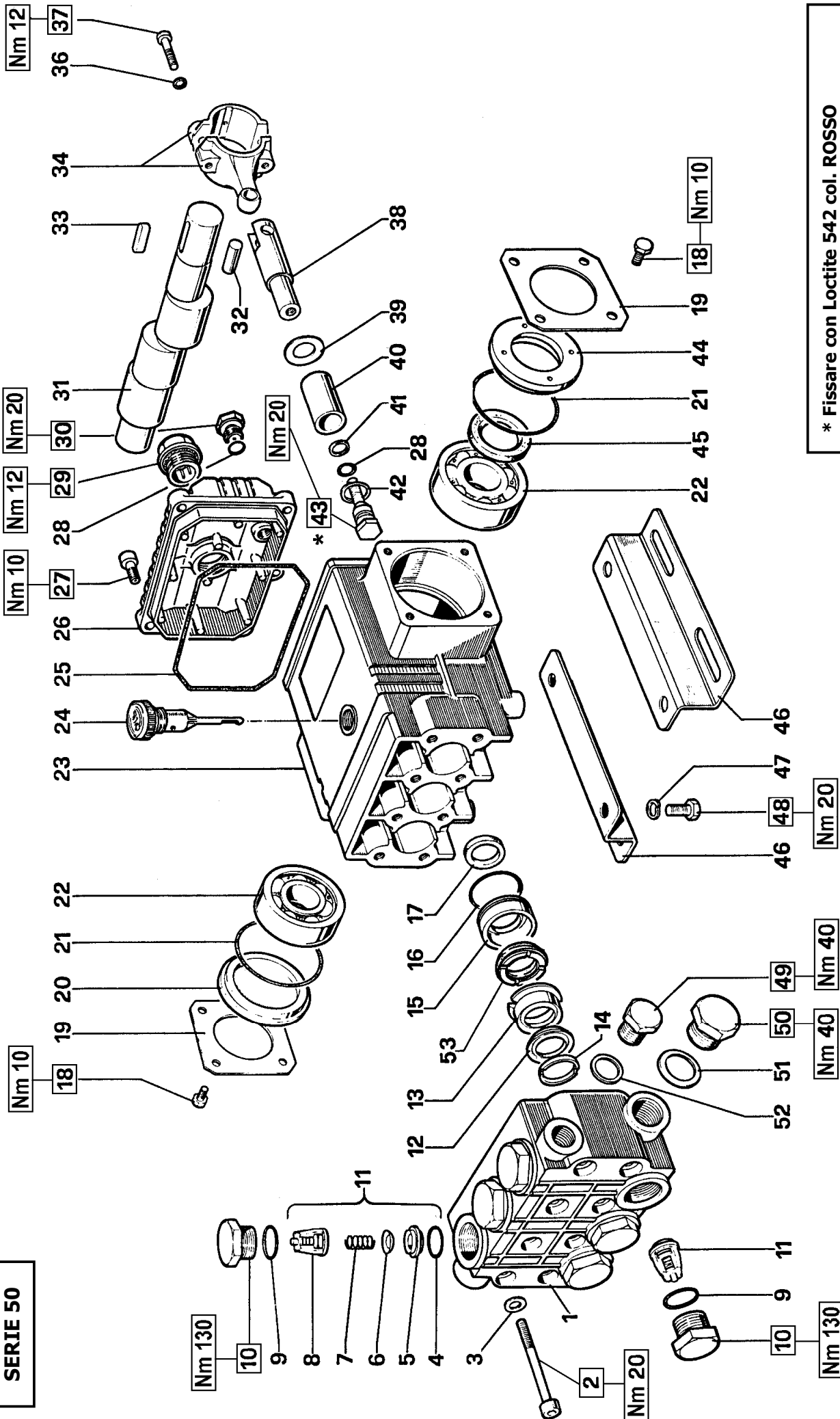
KIT Nr.	KIT 1	KIT 4	KIT 23	KIT 88	KIT 89	KIT 90	KIT 91	KIT 92
Posizioni include Positions included (11)	4 - 5 6 - 7 8 (11)	9 - 10	17	12 - 53 55	13	14	15 - 16	12 - 13 14 - 15 16 - 53 55
Nr. Pcs.	6	6	3	3	3	6	3	1

POS	COD.	DESCRIZIONE – DESCRIPTION - KIT	NR
1	50.1205.41	Testata pompa Ø 15	1
2	99.3175.00	Vite M8x60 UNI 5931	8
3	96.7014.00	Rosetta Ø 8,4x13x0.8	8
4	90.3841.00	OR Ø 17.13x2.62 (3068)	1
5	36.2003.66	Sede valvola	1
6	36.2001.76	Valvola sferica	1
7	94.7376.00	Molla Ø 9.4x14.8	1
8	36.2002.51	Guida valvola	1
9	90.3847.00	OR Ø 20.24x2.62 90 Sh. (3081)	4
10	98.2220.00	Tappo M24x2x16.5	4
11	36.7032.01	Gruppo valvola aspiraz./mandata	1
12	90.2620.00	Anello ten. alt. Ø15x25x5/3.1 HP 88-92	3
13	52.2166.70	Anello intermedio Ø 15	89-92
14	51.1000.51	Anello di testa Ø 15	90-92
15	52.0805.70	Anello di fondo Ø 15	91-92
16	90.3612.00	OR Ø 31.47x1.78 (2125)	91-92
17	90.1614.00	Anello rad. Ø 20x30x5	23
18	99.1807.00	Vite M6x10 UNI 5739	8
19	50.1500.74	Coperchio laterale carter	2
20	50.2116.51	Distanziale	1
21	90.4097.00	OR Ø 55.56x3.53 (159)	2
22	91.8329.00	Cuscinetto a sfere 6305	2

POS	COD.	DESCRIZIONE – DESCRIPTION - KIT	NR
23	50.0104.22	Carter pompa	1
24	98.2103.00	Tappo carico olio G 3/8"	1
25	90.3920.00	OR Ø 101.27x2.62 (3400)	1
26	50.1600.22	Coperchio posteriore carter	1
27	99.1837.00	Vite M6x14 UNI 5931	5
28	90.3585.00	OR Ø 10.82x1.78 (2043)	4
29	97.5968.00	Spia livello olio G 3/4"	1
30	98.2041.00	Tappo G 1/4"x9	1
31	50.0201.35 50.0205.35	Albero – WW161-WW944 Albero – WW141-WW935	1 1
32	97.7330.00	Spinotto Ø 9x19.5	3
33	91.4878.00	Linguetta 8x7x25 UNI 6604	1
34	50.0300.01	Biella completa	3
36	96.6939.00	Rosetta Ø6.4x10x0.7	6
37	99.1927.00	Vite M6x35 UNI 5931	6
38	52.0500.56	Guida pistone	3
39	96.7070.00	Rosetta Ø 9x23x0.5	3
40	90.5022.00	Anello antiest. Ø 6.2x9x1.5	3
41	52.0400.09	Pistone Ø 15x37.5	3
42	96.7008.70	Rosetta Ø 8x13x1	3
43	92.2216.00	Dado M8x13x5 - INOX	3
44	50.2115.51	Distanziale	1
45	90.1634.00	Anello rad. Ø 25x42x7	1

POS	COD.	DESCRIZIONE – DESCRIPTION - KIT	NR
46	50.2000.74	Piedino pompa	2
47	96.7016.00	Rosetta Ø 8.4 UNI 1751	4
48	99.3037.00	Vite M8x16 UNI 5739	4
49	98.2100.00	Tappo G 3/8"x13	1
50	98.2176.00	Tappo G 1/2"x10	1
51	96.7514.00	Rosetta Ø 21.5x27x1.5	1
52	96.7380.00	Rosetta Ø 17.5x23x1.5	1
53	90.2622.00	Anello RESTOP Ø 15x25x5/3.1 88-92	3
54	90.3572.00	OR Ø 5.28x1.78 (2021)	3
55	90.2617.00	Anello ten. alt. Ø 15x25x5.8 LP 88-92	3

**SERIE 50**



\* Fissare con Loctite 542 col. ROSSO  
 \* Affix with Loctite 542 col. RED  
 \* Fixer avec de la Loctite 542 couleur ROUGE  
 \* Mit Loctite 542 ROT befestigen  
 \* Fijar con Loctite 542 col. ROJO  
 \* Fixar com Loctite 542 cor. VERMELHA



**T701 – T711 – T911 – T981**  
**T991 – T9951 – T9961**  
**T9971 – TS1371 – TS1491**

**KIT RICAMBI – SPARE KITS**

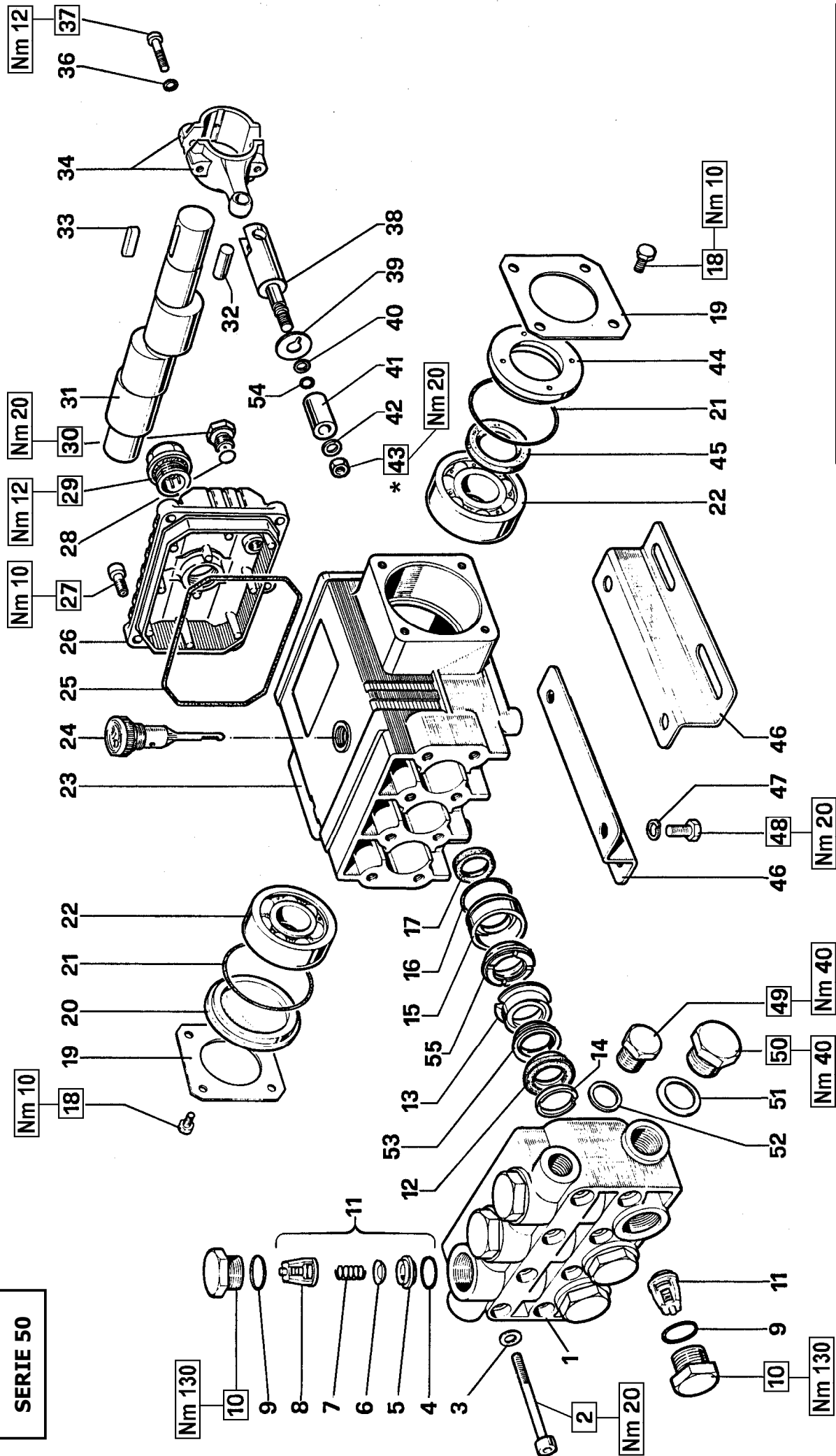
KIT Nr.	KIT 1	KIT 4	KIT 6	KIT 19	KIT 20	KIT 21	KIT 22	KIT 23	KIT 27
Posizioni incluse Positions included (11)	4 - 5 6 - 7 8	9 - 10	28 - 39 41 - 42 43	12 - 53	13	14	15 - 16	17	12 - 13 14 - 15 16 - 53
Nr. Pcs.	6	6	3	3	3	6	3	3	1

POS	COD.	DESCRIZIONE – DESCRIPTION - KIT	NR
1	50.1200.22 50.1207.41	Testata pompa Ø 20 – NICKEL Testata pompa Ø 20	1 1
2	99.3175.00	Vite M8x60 UNI 5931	8
3	96.7014.00	Rosetta Ø 8.4x13x0.8	8
4	90.3841.00	OR Ø 17.13x2.62 (3068)	1
5	36.2003.66	Sede valvola	1
6	36.2001.76	Valvola sferica	1
7	94.7376.00	Molla Ø 9.4x14.8	1
8	36.2002.51	Guida valvola	1
9	90.3847.00	OR Ø 20.24x2.62 90 Sh. (3081)	4
10	98.2220.00	Tappo M24x2x16.5	4
11	36.7032.01	Gruppo valvola aspiraz./mandata	1
12	90.2703.00	Anello ten. alt. Ø20x30x5.5/3 HP 19-27	3
13	50.2166.70	Anello intermedio Ø 20	20-27
14	50.1000.51	Anello di testa Ø 20	21-27
15	50.0805.70	Anello di fondo Ø 20	22-27
16	90.3612.00	OR Ø 31.47x1.78 (2125)	22-27
17	90.1614.00	Anello rad. Ø 20x30x5	23
18	99.1807.00	Vite M6x10 UNI 5739	8
19	50.1500.74	Coperchio laterale carter	2
20	50.2116.51	Distanziale	1
21	90.4097.00	OR Ø 55.56x3.53 (159)	2
22	91.8329.00	Cuscinetto a sfere 6305	2

POS	COD.	DESCRIZIONE – DESCRIPTION - KIT	NR
23	50.0104.22	Carter pompa	1
24	98.2103.00	Tappo carico olio G 3/8"	1
25	90.3920.00	OR Ø 101.27x2.62 (3400)	1
26	50.1600.22	Coperchio posteriore carter	1
27	99.1837.00	Vite M6x14 UNI 5931	5
28	90.3585.00	OR Ø 10.82x1.78 (2043)	4
29	97.5968.00	Spia livello olio G 3/4"	1
30	98.2041.00	Tappo G 1/4"x9	1
31	50.0201.35 50.0205.35 50.0218.35	Albero - T711-T911-T991-T9961-T9971-TS1371 Albero - T701-T981-T9951-TS1491 Albero - T711-T911-T991-T9961 – USA VS. T9971-TS1371 – USA VS.	1 1 1
32	97.7330.00	Spinotto Ø 9x19.5	3
33	91.4878.00 91.4890.00	Linguetta 8x7x25 UNI 6604 Linguetta 8x7x35 UNI 6604 – USA VS.	1
34	50.0300.01 50.0303.01	Biella completa Biella completa - Ts1371-T9971-TS1491	3 3
36	96.6939.00	Rosetta Ø 6.4x10x0.7	6
37	99.1927.00	Vite M6x35 UNI 5931	6
38	50.0501.56	Guida pistone	3
39	96.7286.00	Rosetta Ø 14x28x0.5	6
40	50.0404.09	Pistone Ø 20x40	3
41	90.5067.00	Anello antiest. Ø 11x14x1.5	6
42	96.7280.00	Rosetta Ø 14x18.5x0.5	6
43	47.2195.66	Vite fissaggio pistone	6

POS	COD.	DESCRIZIONE – DESCRIPTION - KIT	NR
44	50.2115.51	Distanziale	1
45	90.1634.00	Anello rad. Ø 25x42x7	1
46	50.2000.74	Piedino	2
47	96.7016.00	Rosetta Ø 8.4 UNI 1751	4
48	99.3037.00	Vite M8x16 UNI 5739	4
49	98.2100.00	Tappo G 3/8"x13	1
50	98.2176.00	Tappo G 1/2"x10	1
51	96.7514.00	Rosetta Ø 21.5x27x1.5	1
52	96.7380.00	Rosetta Ø 17.5x23x1.5	1
53	90.2698.00	Anello ten. alt. Ø 20x30x7 LP	19-27

**SERIE 50**



\* Fissare con Loctite 542 col. ROSSO  
 \* Affix with Loctite 542 col. RED  
 \* Fixer avec de la Loctite 542 couleur ROUGE  
 \* Mit Loctite 542 ROT befestigen  
 \* Fijar con Loctite 542 col. ROJO  
 \* Fixar com Loctite 542 cor. VERMELHA





# TT1411 - TT1611 TT9351 - TT9441

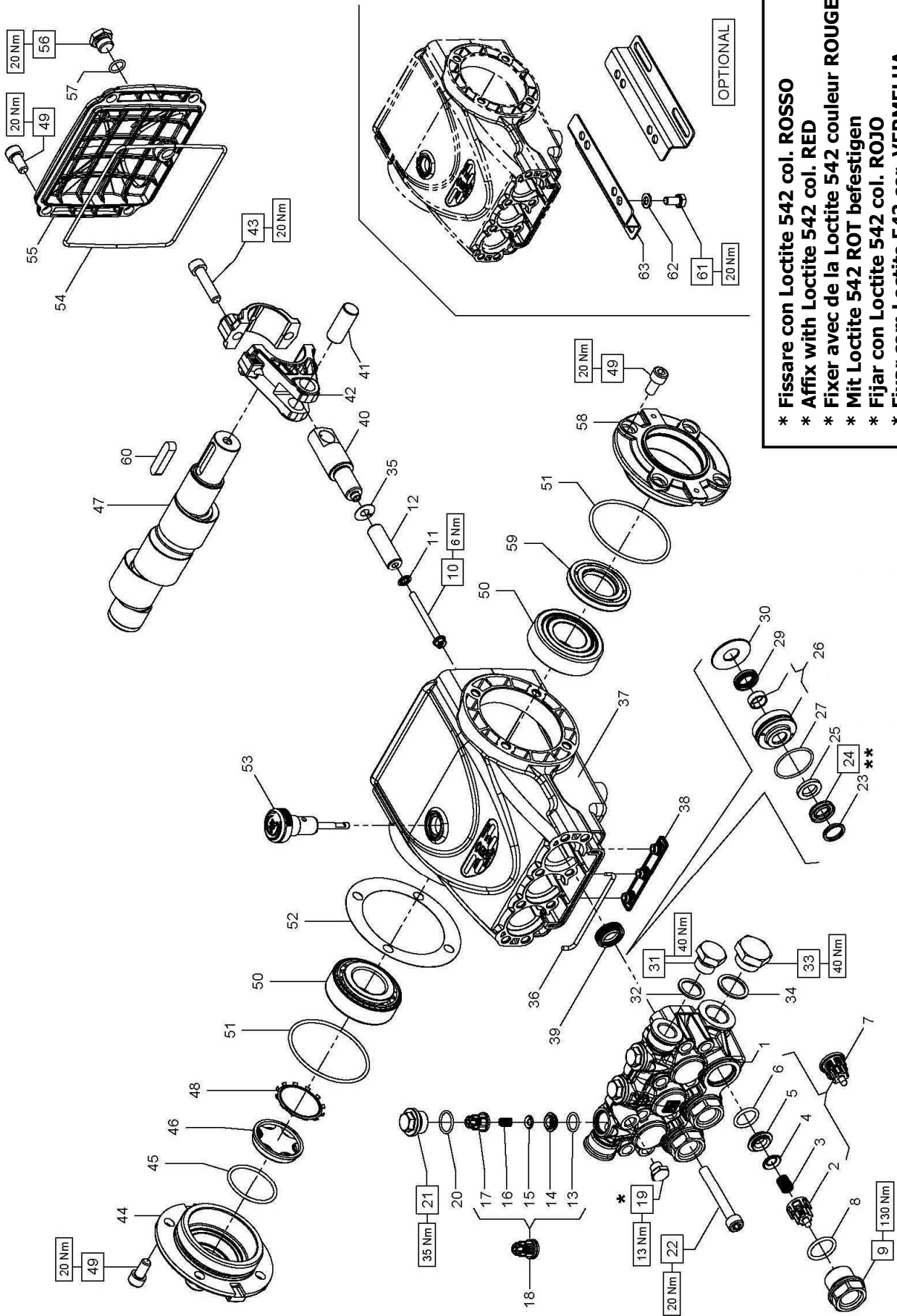
## KIT RICAMBI - SPARE KITS

KIT Nr.	KIT 1	KIT 4	KIT 23	KIT 88	KIT 89	KIT 90	KIT 91	KIT 92
Posizioni include Positions included (11)	4 - 5 6 - 7 8	9 - 10	17	12 - 53 55	13	14	15 - 16	12 - 13 14 - 15 16 - 53 55
Nr. Pcs.	6	6	3	3	3	6	3	1

POS	COD.	DESCRIZIONE - DESCRIPTION - KIT	NR
1	50.1205.41	Testata pompa Ø 15	1
2	99.3175.00	Vite M8x60 UNI 5931	8
3	96.7014.00	Rosetta Ø 8.4x13x0.8	8
4	90.3841.00	OR Ø 17.13x2.62 (3068)	1
5	36.2003.66	Sede valvola	1
6	36.2001.76	Valvola sferica	1
7	94.7376.00	Molla Ø 9.4x14.8	1
8	36.2002.51	Guida valvola	1
9	90.3847.00	OR Ø 20.24x2.62 90 Sh. (3081)	4
10	98.2220.00	Tappo M24x2x16.5	4
11	36.7032.01	Gruppo valvola aspiraz./mandata	1
12	90.2620.00	Anello ten. alt. Ø15x25x5/3.1 HP 88-92	3
13	52.2166.70	Anello intermedio Ø 15	89-92
14	51.1000.51	Anello di testa Ø 15	90-92
15	52.0805.70	Anello di fondo Ø 15	91-92
16	90.3612.00	OR Ø 31.47x1.78 (2125)	91-92
17	90.1614.00	Anello rad. Ø 20x30x5	23
18	99.1807.00	Vite M6x10 UNI 5739	8
19	50.1500.74	Coperchio laterale carter	2
20	50.2116.51	Distanziale	1
21	90.4097.00	OR Ø 55.56x3.53 (159)	2
22	91.8329.00	Cuscinetto a sfere 6305	2

POS	COD.	DESCRIZIONE - DESCRIPTION - KIT	NR
23	50.0104.22	Carter pompa	1
24	98.2103.00	Tappo carico olio G 3/8"	1
25	90.3920.00	OR Ø 101.27x2.62 (3400)	1
26	50.1600.22	Coperchio posteriore carter	1
27	99.1837.00	Vite M6x14 UNI 5931	5
28	90.3585.00	OR Ø 10.82x1.78 (2043)	4
29	97.5968.00	Spia livello olio G 3/4"	1
30	98.2041.00	Tappo G 1/4"x9	1
31	50.0201.35 50.0205.35	Albero eccentrico - TT1611-TT9441 Albero eccentrico - TT1411-TT9351	1 1
32	97.7330.00	Spinotto Ø 9x19.5	3
33	91.4878.00	Linguetta 8x7x25 UNI 6604	1
34	50.0300.01	Biella completa	3
36	96.6939.00	Rosetta Ø6.4x10x0.7	6
37	99.1927.00	Vite M6x35 UNI 5931	6
38	52.0500.56	Guida pistone	3
39	96.7070.00	Rosetta Ø 9x23x0.5	3
40	90.5022.00	Anello antifist. Ø 6.2x9x1.5	3
41	52.0400.09	Pistone Ø 15x37.5	3
42	96.7008.70	Rosetta Ø 8x13x1	3
43	92.2216.00	Dado M8x13x5 - INOX	3
44	50.2115.51	Distanziale	1
45	90.1634.00	Anello rad. Ø 25x42x7	1

POS	COD.	DESCRIZIONE - DESCRIPTION - KIT	NR
46	50.2000.74	Piedino pompa	2
47	96.7016.00	Rosetta Ø 8.4 UNI 1751	4
48	99.3037.00	Vite M8x16 UNI 5739	4
49	98.2100.00	Tappo G 3/8"x13	1
50	98.2176.00	Tappo G 1/2"x10	1
51	96.7514.00	Rosetta Ø 21.5x27x1.5	1
52	96.7380.00	Rosetta Ø 17.5x23x1.5	1
53	90.2622.00	Anello RESTOP Ø 15x25x5/3.1 88-92	3
54	90.3572.00	OR Ø 5.28x1.78 (2021)	3
55	90.2617.00	Anello ten. alt. Ø 15x25x5.8 LP 88-92	3





**\* Fissare con Loctite 542 col. ROSSO**  
**\* Affix with Loctite 542 col. RED**  
**\* Fixer avec de la Loctite 542 couleur ROUGE**  
**\* Mit Loctite 542 ROT befestigen**  
**\* Fijar con Loctite 542 col. ROJO**  
**\* Fixar com Loctite 542 cor. VERMELHA**

**\*\* Lubrificare con grasso di vaselina**  
**\*\* To lubricate with vaseline grease**  
**\*\* Lubrifier avec gras des vaseline**  
**\*\* Sich mit fett zum vaselin schmieren**  
**\*\* Para lubricar con la grasa de vaselina**  
**\*\* Para lubrificar com a graxa de vaselina**

**SERIE 59**

**DIS. COD. 59.9500.00**

			
<b>E3A1713 – E3A1515 - E3B1911 – E3B1713  E3B1515 – E3B1218 - E3B1021 – E3C1713  E3C1515 - E3C1218 – E3C1021</b>			

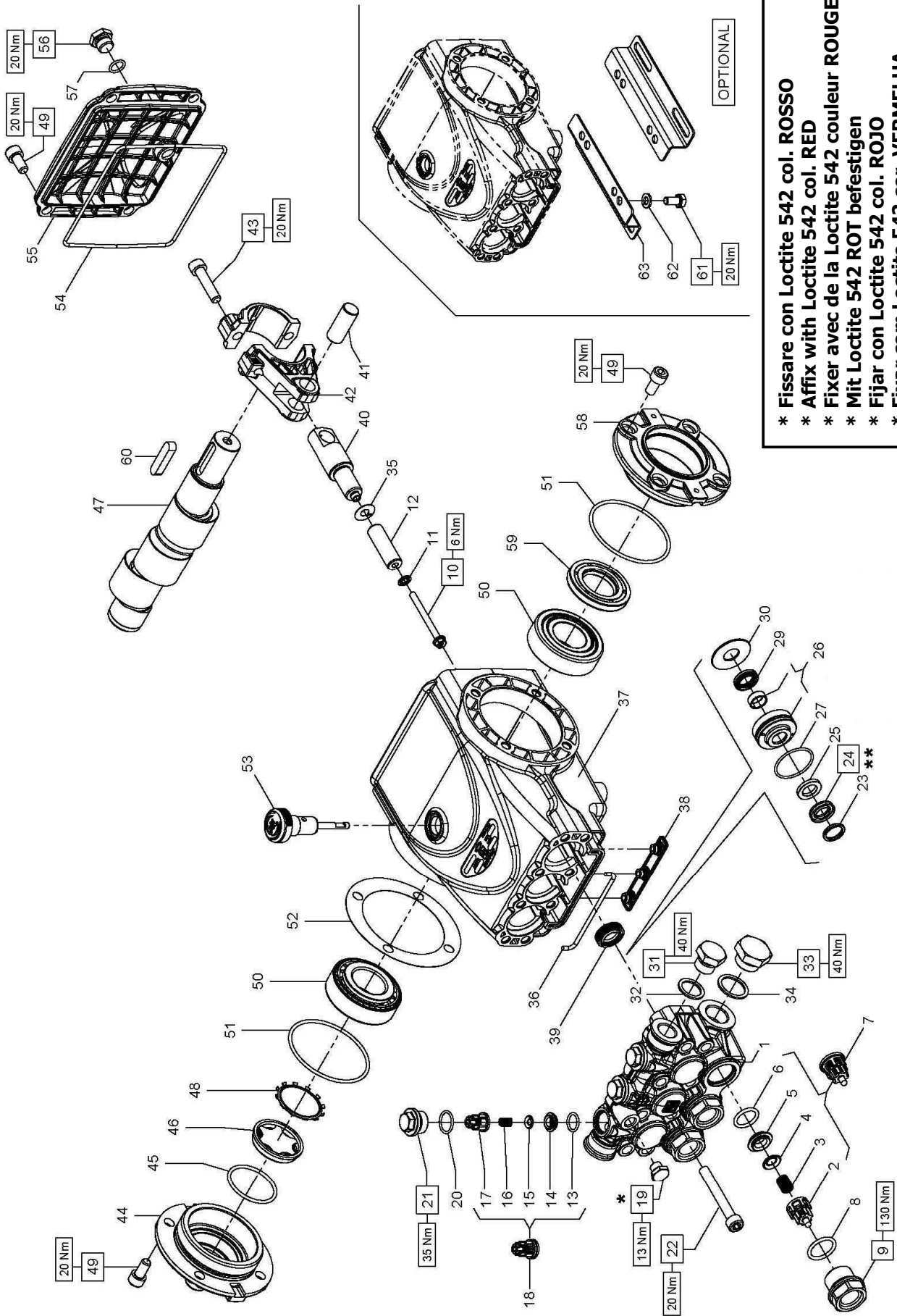
PISTON Ø 18		PISTON Ø 20		PISTON Ø 22	
E3B1911 E3C1713	E3B1713 E3B1515 E3C1515 E3C1218 E3C1021	E3A1713 E3A1515 E3B1218 E3B1021			

POS	COD.	DESCRIZIONE – DESCRIPTION - KIT	NR
1	59.1202.41 59.1203.41 59.1204.41	Testata pompa D.18 Testata pompa D.20 Testata pompa D.22	1 1 1
2	36.2025.51	Guida valvola d'aspirazione	269 3
3	94.7676.00	Molla Dm. 9.4x14.8	269 3
4	36.2001.76	Valvola sferica	269 3
5	36.2003.66	Sede valvola d'aspirazione	269 3
6	90.3841.00	OR D. 17.13x2.62 NBR 70 SH 3068	269 3
7	36.7115.01	Gruppo valvola d'aspirazione	269 3
8	90.3847.00	OR D.20.24x2.62 NBR 70 SH 3081	270 3
9	98.2226.00	Tappo M24x1.5x16.7	270 3
10	99.1690.00	Vite M5x55	3
11	96.6905.00	Rosetta D.5x11.5x0.4	3
12	58.0402.09 59.0400.09 59.0401.09	Pistone D.18x42 Pistone D.20x42 Pistone D.22x42	1 1 1
13	90.3589.00	OR D.12.42x1.78 NBR 70 SH 2050	269 3
14	36.2113.66	Sede valvola di mandata	269 3
15	36.2112.76	Valvola sferica	269 3
16	94.7333.00	Molla Dm.6.2x10.4	269 3
17	36.2111.51	Guida valvola di mandata	269 3
18	36.7193.01	Gruppo valvola di mandata	269 3
19	98.1966.00	Tappo G 1/8"x8	1
20	90.3593.00	OR D.15.60x1.78 NBR 70 SH 2062	270 3
21	98.2137.00	Tappo M18x1.5x10 D.23-D.12	270 3
22	99.3175.00	Vite M8x60 UNI 5931	8

### KIT RICAMBI – SPARE KITS

KIT Nr.	KIT 269	KIT 270	KIT 271	PIST. Ø 18			PIST. Ø 20			PIST. Ø 22		
				KIT 284	KIT 289	KIT 290	KIT 285	KIT 290	KIT 286	KIT 291		
Posizioni incluse Positions included	2 - 3 - 4 5 - 6 - 13 14 - 15 - 16 17 - (7) - (18)	8 - 9 20 - 21	39	23 - 24 25 - 26 27 - 29 30	23 - 24 25 - 26 27 - 29 30	23 - 24 25 - 26 27 - 29 30	23 - 24 25 - 27 29	23 - 24 25 - 26 27 - 29 30	23 - 24 25 - 27 29	23 - 24 25 - 26 27 - 29 30	23 - 24 25 - 26 27 - 29 30	
Nr. Pcs.	3 + 3	3 + 3	3	3	1	3	3	1	3	3	1	

POS	COD.	DESCRIZIONE – DESCRIPTION - KIT	NR
23	66.1007.51 66.1009.51 63.1010.51	Anello di testa D.20 Anello di testa D.22 Anello di testa D.18	285-290 286-291 284-289
24	90.2691.00 90.2716.00 90.2653.50	An. ten.alt. D.20x30x6/3.7 HP An. ten.alt. D.22x32x6/3.7 HP An. ten.alt. D.18x28x46/3.7 HP	285-290 286-291 284-289
25	90.5111.50 90.5134.00 90.5148.50	Anello antiest. D.18x28x2 Anello antiest. D.20x30x2 Anello antiest. D.22x32x2	284-289 285-290 286-291
26	59.6060.01 59.6061.01 59.6062.01	Gr. supp. guarn./bussola D.18 Gr. supp. guarn./bussola D.20 Gr. supp. guarn./bussola D.22	289 290 291
27	90.3612.00	OR D.31.47x1.78 NBR 70 SH. 2125 282-283-284-285-286-287-288-289-290-291	3
29	90.2690.00 90.2715.00 90.2650.00	Anello ten. alt. D.20x28x6.5 LP Anello ten. alt. D.22x30x6.5 LP Anello ten. alt. D.18x24x5 LP	285-290 286-291 284-289
30	59.2107.70 59.2108.70 59.2109.70	Anello per tenuta D.18 Anello per tenuta D.20 Anello per tenuta D.22	289 290 291
31	98.2100.00	Tappo G 3/8"x13	1
32	96.7380.00	Rosetta D.17.5x23x1.5	1
33	98.2176.00	Tappo G 1/2"x10	1
34	96.7514.00	Rosetta D.21.5x27x1.5	1
35	96.6980.00	Rosetta D.7.5x18x0.5	3
36	59.2110.82	Guarnizione spugna D.3x103	1
37	59.0100.22	Carter pompa	1
38	58.2104.51	Protezione	1
39	90.1565.50	Anello rad. D.15x24x5/7	271
40	59.050066	Guida pistone	3
41	97.7399.00	Spinotto D.14x34	3



**\* Fissare con Loctite 542 col. ROSSO**  
**\* Affix with Loctite 542 col. RED**  
**\* Fixer avec de la Loctite 542 couleur ROUGE**  
**\* Mit Loctite 542 ROT befestigen**  
**\* Fijar con Loctite 542 col. ROJO**  
**\* Fixar com Loctite 542 cor. VERMELHA**

**\*\* Lubrificare con grasso di vaselina**  
**\*\* To lubricate with vaseline grease**  
**\*\* Lubrifier avec gras des vaseline**  
**\*\* Sich mit fett zum vaselin schmieren**  
**\*\* Para lubrificar con la grasa de vaselina**  
**\*\* Para lubrificar com a graxa de vaselina**

**SERIE 59**

**DIS. COD. 59.9500.00**



**E3A2113 - E3A2115 - E3B2511 - E3B2513  
E3B2515 - E3B2118 - E3B2121 - E3C2513  
E3C2515 - E3C2518 - E3C2521 - E3E2813  
E3E2815 - E3E2517 - E3E2520**



**KIT RICAMBI - SPARE KITS**

KIT Nr.	KIT 269	KIT 292	KIT 271	PIST. Ø 13			PIST. Ø 15			PIST. Ø 18			PIST. Ø 20			PIST. Ø 22		
				KIT 282	KIT 287	KIT 283	KIT 288	KIT 284	KIT 289	KIT 285	KIT 290	KIT 286	KIT 291					
Posizioni incluse Positions included	2 - 3 - 4 5 - 6 - 13 14 - 15 - 16 17 - (7) - (18)	8 - 9 20 - 21	39	23 - 24 25 - 26 27 - 29 29	23 - 24 25 - 26 27 - 29 30	23 - 24 25 - 26 27 - 29 29	23 - 24 25 - 26 27 - 29 29	23 - 24 25 - 26 27 - 29 29	23 - 24 25 - 26 27 - 29 29	23 - 24 25 - 26 27 - 29 29	23 - 24 25 - 26 27 - 29 29	23 - 24 25 - 26 27 - 29 29	23 - 24 25 - 26 27 - 29 29	23 - 24 25 - 26 27 - 29 29	23 - 24 25 - 26 27 - 29 29	23 - 24 25 - 26 27 - 29 29	23 - 24 25 - 26 27 - 29 29	
Nr. Pcs.	3 + 3	3 + 3	3	3	3	3	3	3	3	3	3	3	3	3	3	3	3	

PISTON Ø 13	PISTON Ø 15	PISTON Ø 18	PISTON Ø 20	PISTON Ø 22
E3E2813 E3E2815	E3E2517 E3E2520	E3C2511 E3C2513	E3B2513 E3B2515 E3C2515 E3C2518 E3C2521	E3A2113 E3A2115 E3B2118 E3B2121

POS	COD.	DESCRIZIONE - DESCRIPTION - KIT	NR
1	59.1210.41 59.1211.41 59.1212.41 59.1213.41 59.1214.41	Testata pompa D.13 - NICKEL Testata pompa D.15 - NICKEL Testata pompa D.18 - NICKEL Testata pompa D.20 - NICKEL Testata pompa D.22 - NICKEL	1 1 1 1 1
2	36.2025.51	Guida valvola d'aspirazione	269
3	94.7676.00	Molla Dm. 9.4x14.8	269
4	36.2001.76	Valvola sferica	269
5	36.2003.66	Sede valvola d'aspirazione	269
6	90.3841.00	OR D. 17.13x2.62 NBR 70 SH 3068269	3
7	36.7115.01	Gruppo valvola d'aspirazione	269
8	90.3847.00	OR D.20.24x2.62 NBR 70 SH 3081292	3
9	98.2225.00	Tappo M24x1.5x16.7 - NICKEL	292
10	99.1690.00	Vite M5x55	3
11	96.6905.00	Rosetta D.5x11.5x0.4	3
12	58.0400.09 58.0401.09 58.0402.09 59.0400.09 59.0401.09	Pistone D.13x42 Pistone D.15x42 Pistone D.18x42 Pistone D.20x42 Pistone D.22x42	1 1 1 1 1
13	90.3589.00	OR D.12.42x1.78 NBR 70 SH 2050269	3
14	36.2113.66	Sede valvola di mandata	269
15	36.2112.76	Valvola sferica	269
16	94.7333.00	Molla Dm.6.2x10.4	269
17	36.2111.51	Guida valvola di mandata	269
18	36.7193.01	Gruppo valvola di mandata	269
19	98.1967.00	Tappo G 1/8"x8 - NICKEL	1
20	90.3593.00	OR D.15.60x1.78 NBR 70 SH 2062292	3
21	98.2137.50	Tappo M18x1.5x10 D.23-D.12 - NK 292	3

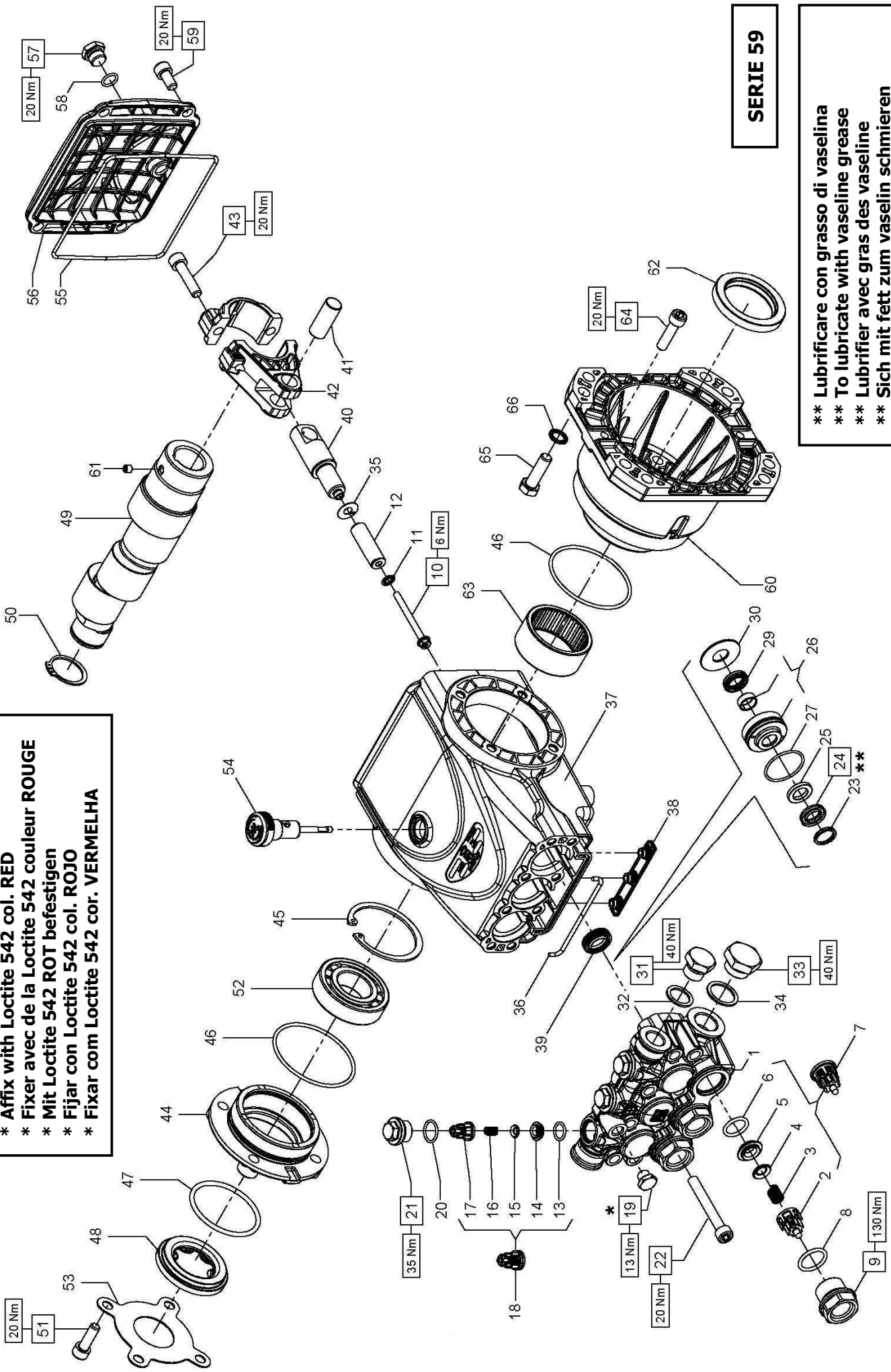
POS	COD.	DESCRIZIONE - DESCRIPTION - KIT	NR
22	99.3175.00	Vite M8x60 UNI 5931	8
23	66.1007.51 66.1009.51 63.1010.51 63.1011.51 44.1002.51	Anello di testa D.20 Anello di testa D.22 Anello di testa D.15 Anello di testa D.18 Anello di testa D.13	3 3 3 3 3
24	90.2691.00 90.2716.00 90.2611.00 90.2653.50 90.2602.00	An. ten.alt. D.20x30x6/3.7 HP An. ten.alt. D.22x32x6/3.7 HP An. ten.alt. D.15x24x5.4/3.4 HP An. ten.alt. D.18x28x46/3.7 HP An. ten.alt. D.13x21x4 HP	3 3 3 3 3
25	90.5076.50 90.5089.90 90.5111.50 90.5134.00 90.5148.50	Anello antiest. D.13x21x4 Anello antiest. D.15x24x2 Anello antiest. D.18x28x2 Anello antiest. D.20x30x2 Anello antiest. D.22x32x2	3 3 3 3 3
26	59.6058.01 59.6059.01 59.6060.01 59.6061.01 59.6062.01	Gr. suup. guarn./boccola D.13 Gr. suup. guarn./boccola D.15 Gr. suup. guarn./boccola D.18 Gr. suup. guarn./boccola D.20 Gr. suup. guarn./boccola D.22	3 3 3 3 3
27	90.3612.00	OR D.31.47x1.78 NBR 70 SH. 2125 282-283-284-285-286-287-288-289-290-291	3
29	90.2690.00 90.2715.00 90.2608.00 90.2650.00 90.2601.00	Anello ten. alt. D.20x28x6.5 LP Anello ten. alt. D.22x30x6.5 LP Anello ten. alt. D.15x22x5 LP Anello ten. alt. D.18x24x5 LP Anello ten. alt. D.13x20x5 LP	3 3 3 3 3
30	59.2105.70 59.2106.70 59.2107.70 59.2108.70 59.2109.70	Anello per tenuta D.13 Anello per tenuta D.15 Anello per tenuta D.18 Anello per tenuta D.20 Anello per tenuta D.22	3 3 3 3 3
31	98.2099.00	Tappo G 3/8"x13 - NICKEL	1
32	96.7380.00	Rosetta D.17.5x23x1.5	1
33	98.2179.00	Tappo G 1/2"x10 - NICKEL	1
34	96.7514.00	Rosetta D.21.5x27x1.5	1
35	96.6980.00	Rosetta D.7.5x18x0.5	3

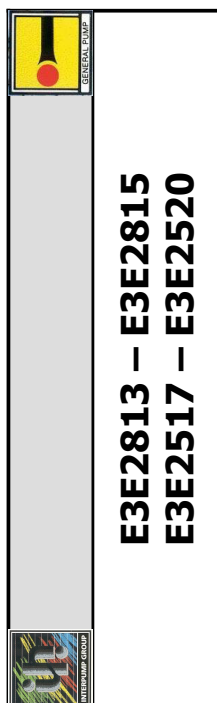
POS	COD.	DESCRIZIONE - DESCRIPTION - KIT	NR
36	59.2110.82	Guarnizione spugna D.3x103	1
37	59.0100.22	Carter pompa	1
38	58.2104.51	Protezione	1
39	90.1565.50	Anello rad. D.15x24x5/7	271
40	59.050066	Guida pistone	3
41	97.7399.00	Spinotto D.14x34	3
42	59.0300.01	Biella completa	3
43	99.3099.00	Vite serraggio biella M8x35	6
44	47.1512.22	Coperchio laterale lato spia	1
45	90.3877.00	OR D.39.34x2.62 NBR 70 SH. 3156	1
46	70.2118.01	Spia livello olio	1
47	59.0201.35 59.0202.35 59.0203.35	Albero - E3A2115-E3B2121-E3C2521-E3E2815 Albero - E3A2113-E3B2118-E3B2515-E3C2518 E3E2520 Albero - E3B2511-E3B2513-E3C2513-E3C2515 E3E2813-E3E2517	1 1 1
48	90.0756.00	Anello seeger D.45	1
49	99.3039.00	Vite M8x16 UNI 5931	12
50	91.8375.00	Cuscinetto a rulli 30x62x21.25	2
51	90.3913.00	OR D.67.95x2.62 NBR 70 SH. 3628	2
52	97.5680.00 97.5978.00	Spessore D.74.5x104x0.3 Spessore D.74.5x104x0.1	1 1
53	98.2103.00	Asta livello olio G 3/8"x51	1
54	90.3922.00	OR D.133.02x2.62 NBR 70 SH. 3525	1
55	59.1600.22	Coperchio posteriore carter	1
56	98.2041.00	Tappo G 1/4"x9	1
57	90.3585.00	OR D.10.82x1.78 NBR 70 SH. 2043	1
58	47.1510.22	Coperchio laterale lato PTO	1
59	90.1648.00	Anello rad. D.30x55x7	1
60	91.4892.00	Linguetta 8x7x35	1
61	99.3037.00	Vite M8x16 UNI 5739	4
62	96.7016.00	Rosetta D. 8.4 UNI 1751	4
63	50.2000.74	Piedino pompa	2

- \* Fissare con Loctite 542 col. ROSSO
- \* Affix with Loctite 542 col. RED
- \* Fixer avec de la Loctite 542 couleur ROUGE
- \* Mit Loctite 542 ROT befestigen
- \* Fijar con Loctite 542 col. ROJO
- \* Fixar com Loctite 542 cor. VERMELHA

**SERIE 59**

- \*\* Lubrificare con grasso di vaselina
- \*\* To lubricate with vaseline grease
- \*\* Lubrifier avec gras des vaseline
- \*\* Sich mit fett zum vaselin schmieren
- \*\* Para lubricar con la grasa de vaselina
- \*\* Para lubricar com a graxa de vaselina





KIT RICAMBI – SPARE KITS					PIST. Ø 13			PIST. Ø 15		
KIT Nr.	KIT 269	KIT 292	KIT 271	KIT 282	KIT 287	KIT 283	KIT 288			
Posizioni include Positions included	2 - 3 - 4 5 - 6 - 13 14 - 15 - 16 17 - (7) - (18)	8 - 9 20 - 21	39	23 - 24 25 - 27 29	23 - 24 25 - 26 27 - 29 30	23 - 24 25 - 27 29	23 - 24 25 - 26 27 - 29 30			
Nr. Pcs.	3 + 3	3 + 3	3	3	1	3	1			

PISTON Ø 13		PISTON Ø 15	
<b>E3E2813 - E3E2815</b>		<b>E3E2517 - E3E2520</b>	

POS	COD.	DESCRIZIONE – DESCRIPTION - KIT	NR
48	44.2118.01	Distanziale con indicatore	1
49	59.0204.65 59.0205.65 59.0206.65	Albero – E3E2815 Albero – E3E2520 Albero – E3E2517-E3E2813	1 1 1
50	90.066700	Anello seeger D.30	1
51	99.3069.00	Vite M8x25 UNI 5931	4
52	91.8376.00	Cuscinetto a rulli	1
53	66.1502.74	Coperchio anteriore carter	1
54	98.2103.00	Asta livello olio G 3/8"x51	1
55	90.3922.00	OR D.133.02x2362 NBR 70 SH. 3525	1
56	59.1600.22	Coperchio posteriore carter	1
57	98.2041.00	Tappo G 1/4"x9	1
58	90.3585.00	OR D.10.82x1.78 NBR 70 SH. 2043	1
59	99.3039.00	Vite M8x16 UNI 5931	4
60	10.0801.22	Flangia motore a scoppio C1"	1
61	99.1790.00	Vite M6x6 UNI 5929	1
62	90.1690.00	Anello rad. D.45x62x8	1
63	91.8585.00	Boccola a rullini D.50x58x25	1
64	90.3084.00	Vite M8x30 UNI 5931	4
65	99.3346.00	Vite 3/8"-16x1-1/4"	4
66	96.7104.00	Rosetta D.10.5x16x1	4

POS	COD.	DESCRIZIONE – DESCRIPTION - KIT	NR
24	90.2611.00 90.2602.00	An. ten.alt. D.15x24x5.4/3.4 HP 283-288 An. ten.alt. D.13x21x4 HP 282-287	3 3
25	90.5076.50 90.5089.90	Anello antiest. D.13x21x4 282-287 Anello antiest. D.15x24x2 283-288	3 3
26	59.6058.01 59.6059.01	Gr. supp. guarn./bussola D.13 287 Gr. supp. guarn./bussola D.15 288	3 3
27	90.3612.00	OR D.31.47x1.78 NBR 70 SH. 2125 282-283-284-285-286-287-288-289-290-291	3
29	90.2608.00 90.2601.00	Anello ten. alt. D.15x22x5 LP 283-288 Anello ten. alt. D.13x20x5 LP 282-287	3 3
30	59.2105.70 59.2106.70	Anello per tenuta D.13 287 Anello per tenuta D.15 288	3 3
31	98.2099.00	Tappo G 3/8"x13 - NICKEL	1
32	96.7380.00	Rosetta D.17.5x23x1.5	1
33	98.2179.00	Tappo G 1/2"x10 - NICKEL	1
34	96.7514.00	Rosetta D.21.5x27x1.5	1
35	96.6980.00	Rosetta D.7.5x18x0.5	3
36	59.2110.82	Guarnizione spugna D.3x103	1
37	59.0100.22	Carter pompa	1
38	58.2104.51	Protezione	1
39	90.1565.50	Anello rad. D.15x24x5/7	3
40	59.0500.66	Guida pistone	3
41	97.7399.00	Spinotto D.14x34	3
42	59.0300.01	Biella completa	3
43	99.3099.00	Vite serraggio biella M8x35	6
44	47.1500.22	Coperchio laterale lato spia	1
45	90.0850.00	Anello seeger D.62	1
46	90.3913.00	OR D.67.95x2.62 NBR 70 SH. 3628	2
47	90.4097.00	OR D.55.56x3.53 NBR 70 SH. 159	1

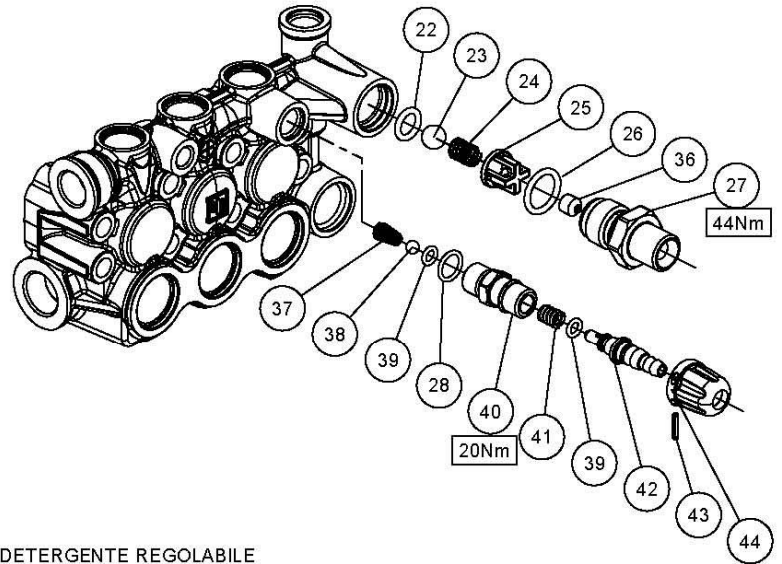
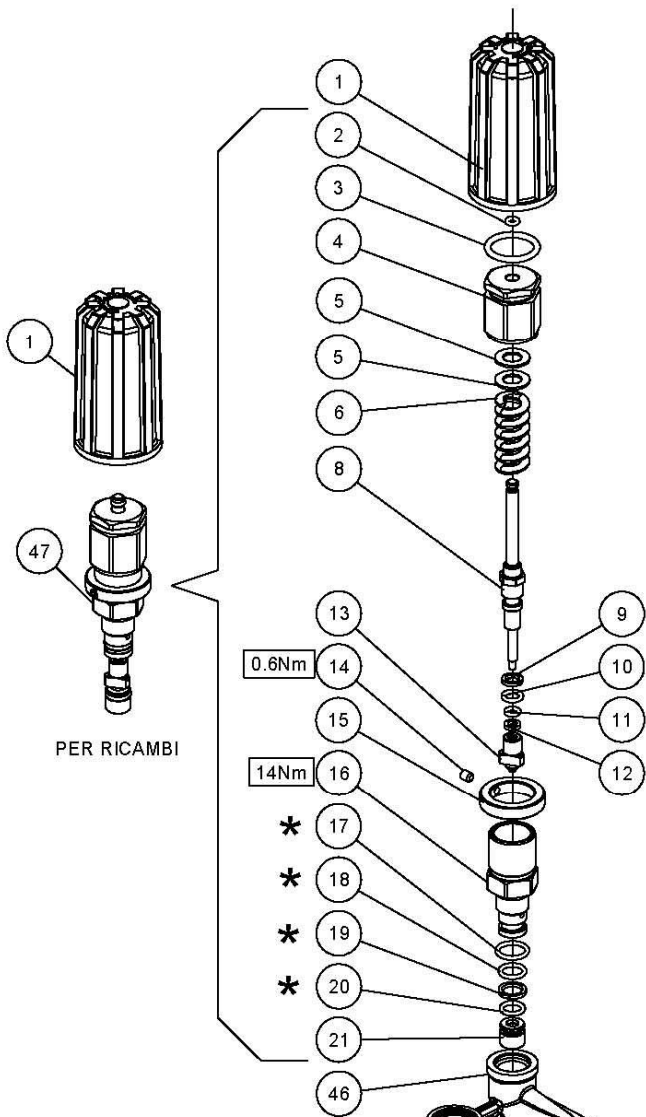
POS	COD.	DESCRIZIONE – DESCRIPTION - KIT	NR
1	59.1210.41 59.1211.41	Testata pompa D.13 - NICKEL Testata pompa D.15 - NICKEL	1 1
2	36.2025.51	Guida valvola d'aspirazione	269 3
3	94.7676.00	Molla Dm. 9.4x14.8	269 3
4	36.2001.76	Valvola sferica	269 3
5	36.2003.66	Sede valvola d'aspirazione	269 3
6	90.3841.00	OR D. 17.13x2.62 NBR 70 SH 3068	269 3
7	36.7115.01	Gruppo valvola d'aspirazione	269 3
8	90.3847.00	OR D.20.24x2.62 NBR 70 SH 3081	292 3
9	98.2225.00	Tappo M24x1.5x16.7 – NICKEL	292 3
10	99.1690.00	Vite M5x55	3 3
11	96.6905.00	Rosetta D.5x11.5x0.4	3 3
12	58.0400.09 58.0401.09	Pistone D.13x42 Pistone D.15x42	1 1
13	90.3589.00	OR D.12.42x1.78 NBR 70 SH 2050	269 3
14	36.2113.66	Sede valvola di mandata	269 3
15	36.2112.76	Valvola sferica	269 3
16	94.7333.00	Molla Dm.6.2x10.4	269 3
17	36.2111.51	Guida valvola di mandata	269 3
18	36.7193.01	Gruppo valvola di mandata	269 3
19	98.1967.00	Tappo G 1/8"x8 - NICKEL	1 1
20	90.3593.00	OR D.15.60x1.78 NBR 70 SH 2062	292 3
21	98.2137.50	Tappo M18x1.5x10 D.23-D.12 – NK	292 3
22	99.3175.00	Vite M8x60 UNI 5931	8 8
23	63.1010.51 44.1002.51	Anello di testa D.15 283-288 Anello di testa D.13 282-287	3 3

# VH VERSION

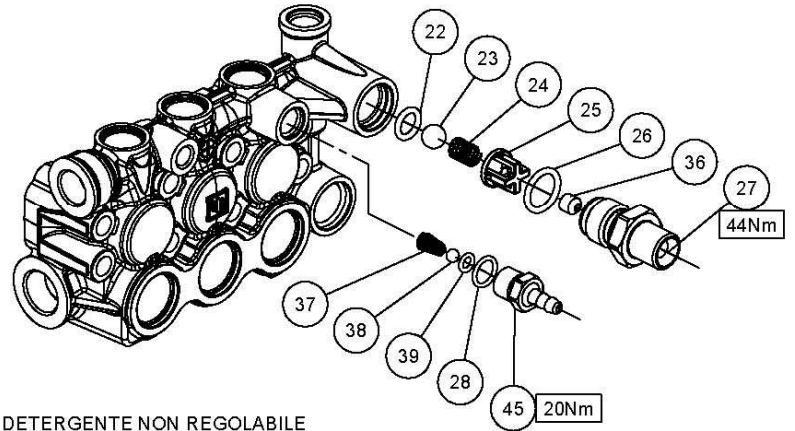
VERSIONE CON VALVOLA DI REGOLAZIONE AUT. – VERSION WITH BUILT-IN AUT. UNLOADER  
 VERSION AVEC RÉGULATEUR AUT. DE PRESSION INCORPORÉ  
 AUSFÜHRUNG MIT EINGEAUTEM AUT. DRUCKREGULIERVENTIL

VERSIÓN CON REGULADOR AUT. DE PRESIÓN INCORPORADO - VERSÃO COM VÁLVULA DO REGULAMENTO AUT.

## OPTIONALS

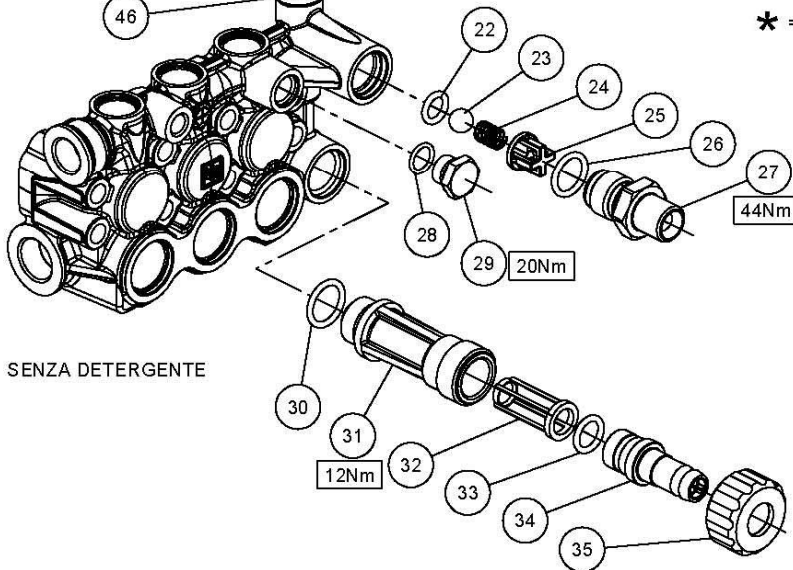


DETERGENTE REGOLABILE



DETERGENTE NON REGOLABILE

\* = Se necessario prima del montaggio ingrassare.  
 - Usare grasso di vaselina per pompe -



SENZA DETERGENTE

**SERIE 59**

DIS. COD. 36.9548.00



# VH VERSION

**VERSIONE CON VALVOLA DI REGOLAZIONE AUT. – VERSION WITH BUILT-IN AUT. UNLOADER  
VERSION AVEC RÉGULATEUR AUT. DE PRESSION INCORPORÉ  
AUSFÜHRUNG MIT EINGEBAUTEM AUT. DRUCKREGULIERVENTIL  
VERSIÓN CON REGULADOR AUT. DE PRESIÓN INCORPORADO - VERSÃO COM VÁLVULA DO REGULAMENTO AUT.**

POS	COD.	DESCRIZIONE – DESCRIPTION - KIT	NR
1	36.3485.51	Pomolo di regolazione	1
2	90.3566.00	OR D.2.90X1.78 NBR 70 SH. 2012	1
3	90.3845.00	OR D.18.72X2.62 NBR 70 SH. 3075	1
4	36.3481.70	Registro di pressione	1
5	36.3486.51	Rondella di scorrimento	2
6	94.7395.00	Molla D.11.3x34.5	1
8	N.A.	Pistoncino di comando	1
9	N.A.	Anello antiest. D.6.1x9x1.5	1
10	N.A.	OR D.6.07x1.78 NBR 70 Sh. 2025	1
11	N.A.	OR D.3.69x1.78 NBR 70 Sh. 2015	1
12	N.A.	Anello antiest. D.4x7x1.5	1
13	N.A.	Otturatore	1
14	99.1267.00	Vite M4x5 UNI 5929	1
15	36.3477.70	Ghiera di pressione massima	1
16	N.A.	Boccola di guida	1
17	90.3587.00	OR D.11.11x1.78 NBR 70 SH. 114	1
18	90.3581.00	OR D.8.73x1.78 NBR 70 SH. 108	1
19	90.5038.00	Anello antiest. D.9x12x1.5	1
20	90.3578.00	OR D.7.66x1.78 NBR 70 SH. 2031	1
21	36.3483.66	Sede	1
22	90.3823.00	OR D.9.92x2.62 NBR 70 SH. 112	278 1
23	97.4838.00	Sfera Ø 13/32"	278 1
24	94.7355.00	Molla Ø 8.5x12	278 1
25	36.3104.51	Guida valvola	278 1
26	90.3839.00	OR Ø 15.88x2.62 NBR 70 Sh. 121	278 1
27	36.3490.70 36.3489.70 36.3488.70 36.3487.70 34.3479.70	Nipplo 3/8" NPT – F – Ø3 Nipplo G 3/8" – F – Ø3 Nipplo M22x1.5 – Ø3 Nipplo 3/8" NPT – M – Ø3 Nipplo G 3/8" – M – Ø3	1
28	90.3585.00	OR Ø 10.82x1.78 NBR 70 Sh. 2043 279-280	1
29	98.2041.00	Tappo G 1/4"x9	1

POS	COD.	DESCRIZIONE – DESCRIPTION - KIT	NR
36	10.0795.66 10.0798.66	Ugello per iniettore Ø 2 Ugello per iniettore Ø 2.2	1
37	94.8217.00	Molla conica Ø 4.3/7.3x11	279-280 1
38	97.4782.00	Sfera Ø 7/32"	279-280 1
39	90.3573.00	OR Ø 5.28x1.78 NBR 70 Sh. 2021 279-280	2
40	36.3482.70	Sede valvola detergente	279 1
41	94.7334.00	Molla Ø 6.4x12.5	279 1
42	36.3342.70	Otturatore con portagomma	279 1
43	97.6615.00	Spina elastica Ø 2x12 UNI 6873	279 1
44	36.3484.51	Pomolo detergente rosso	279 1
45	36.3492.70	Portagomma	280 1
46	59.1206.41 59.1207.41 59.1208.41 59.1209.41	Testata pompa con valv. integr. D.15 Testata pompa con valv. integr. D.18 Testata pompa con valv. integr. D.20 Testata pompa con valv. integr. D.22	1
47	36.6054.01	Frutto valvola con sede	278 1
<b>OPTIONALS</b>			
30	90.3841.00	OR Ø 17.13x2.62 NBR 70 Sh. 3068	1
31	36.3182.51	Nipplo aspirazione G 3/4"	1
32	92.8925.00	Filtro Ø 12x35	1
33	90.3828.00	OR Ø 12.37x2.62 NBR 70 Sh. 3050	1
34	36.2569.51	Portagomma aspirazione	1
35	92.9828.00	Ghiera G 3/4" – Ø 15	1

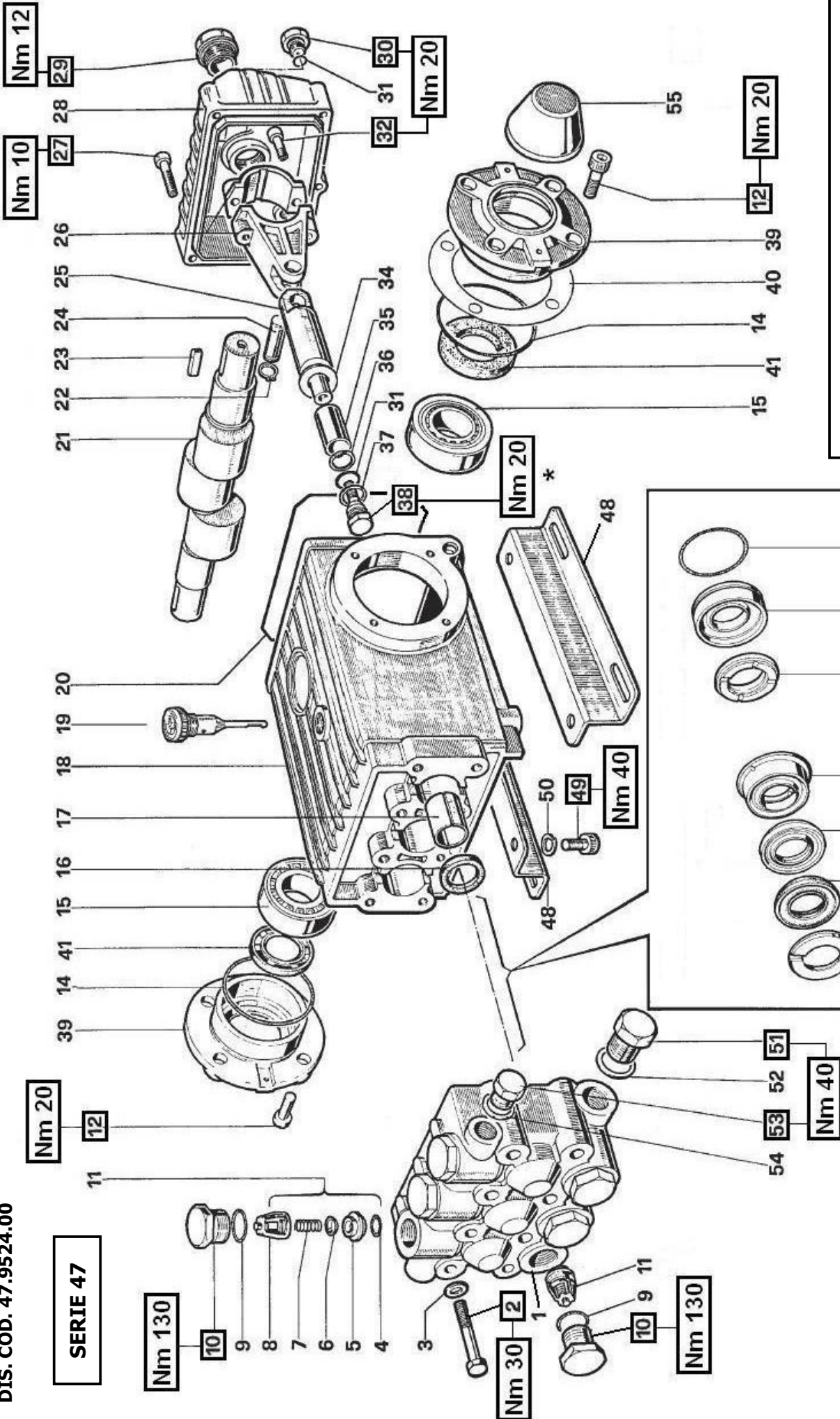
**N.A. : NOT AVAILABLE – PARTICOLARE NON FORNITO**

## KIT RICAMBI – SPARE KITS

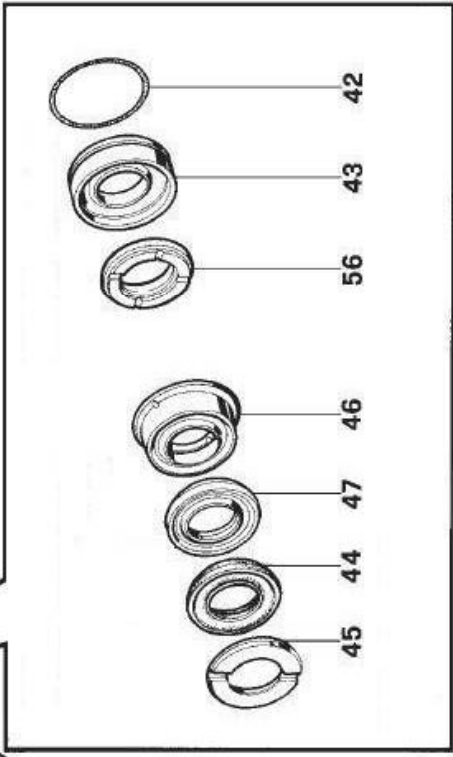
KIT NR.	KIT 278	KIT 279	KIT 280
<b>Posizioni include Positions included</b>	<b>22 – 23 24 – 25 26 – 47</b>	<b>28 – 37 38 – 39 40 – 41 42 – 43 44</b>	<b>28 – 37 38 – 39 45</b>
<b>Nr. Pcs.</b>	-	-	-

DIS. COD. 47.9524.00

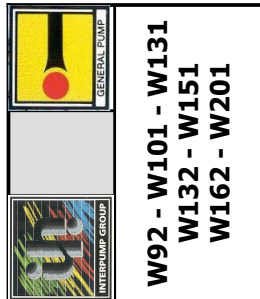
**SERIE 47**



\* Fissare con Loctite 542 col. ROSSO  
 \* Affix with Loctite 542 col. RED  
 \* Fixer avec de la Loctite 542 couleur ROUGE  
 \* Mit Loctite 542 ROT befestigen  
 \* Fijar con Loctite 542 col. ROJO  
 \* Fixar com Loctite 542 cor. VERMELHA



**CON ALBERO A DOPPIA PRESA DI FORZA**  
**WITH DOUBLE-SIDED SHAFT**



**W92 - W101 - W131**  
**W132 - W151**  
**W162 - W201**

**KIT RICAMBI -- SPARE KITS**

OTTONE BRASS			NICKEL			PISTONE - PISTON Ø20						PISTONE - PISTON Ø22					
KIT Nr.	KIT 1	KIT 2	KIT 3	KIT 6	KIT 4	KIT 5	KIT 7	KIT 10	KIT 28	KIT 69	KIT 71	KIT 11	KIT 14	KIT 29	KIT 148	KIT 149	
Posizioni include Positions included (11)	4-5 6-7 8	16	41	31-34 36-37 38	9-10	9-10	45	42-43	42-43 44-45 46-47 56	44-47 56	46-47	45	42-43	42-43 44-45 46-47 56	44-47 56	46-47	
Nr. Pcs.	6	3	2	3	6	6	6	3	1	3	3	6	3	1	3	3	

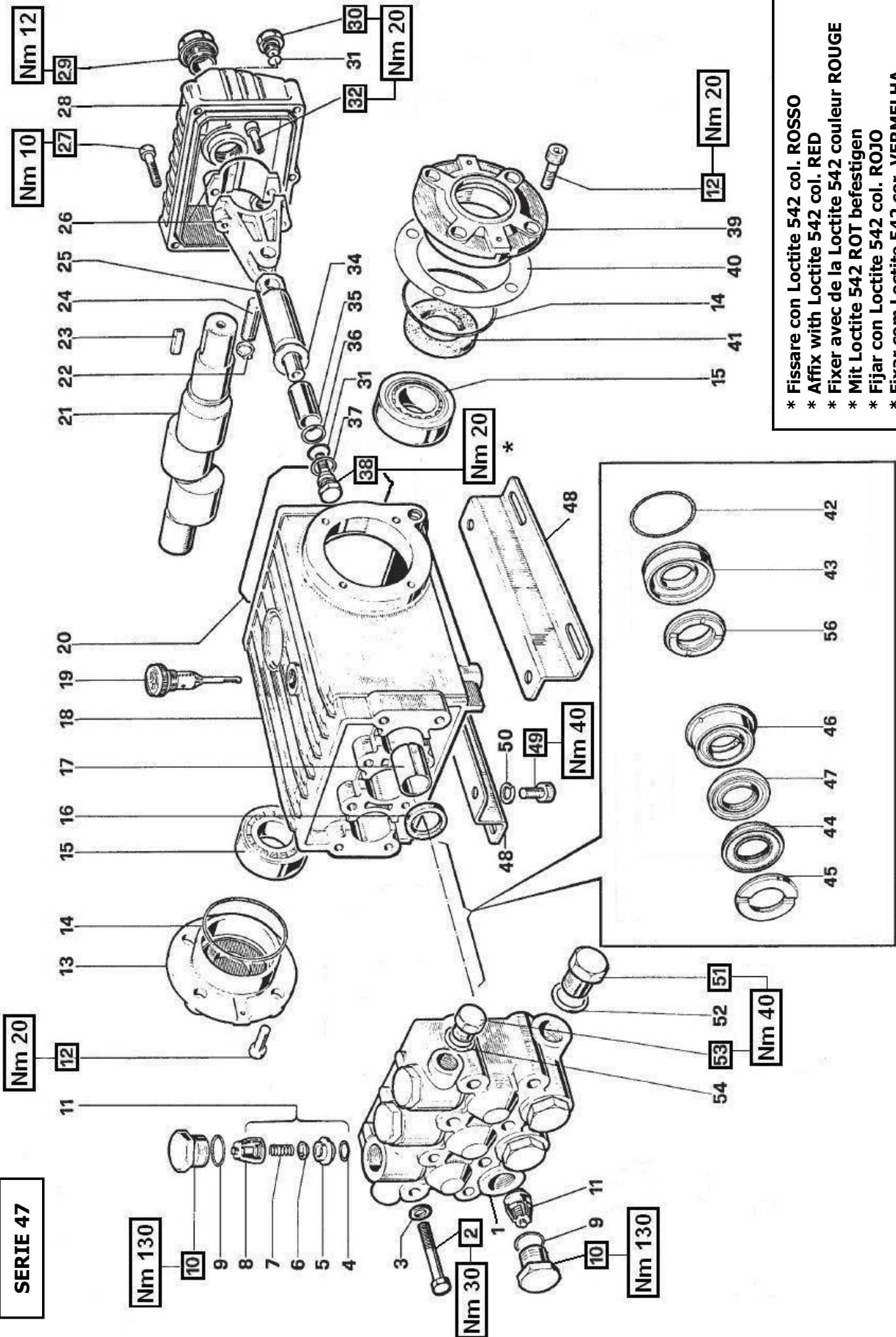
PISTONE - PISTON Ø20		PISTONE - PISTON Ø22	
<b>OTTONE BRASS</b>	<b>W101 - W131</b> <b>W151</b>	<b>W92 - W132</b>	
<b>NICKEL</b>	<b>W201</b>	<b>W162</b>	

POS	COD.	DESCRIZIONE - DESCRIPTION - KIT	NR
1	47.1201.41 47.1202.41	Testata Ø 20-22 Testata Ø 20-22 - NICKEL	1 1
2	99.3206.00	Vite M8x70 UNI 5737	8
3	96.7020.00	Rosetta Ø 8 UNI 1736	8
4	90.3841.00	OR Ø 17.13x2.62 (3068)	1 6
5	36.2003.66	Sede valvola	1 6
6	36.2001.76	Valvola	1 6
7	94.7376.00	Molla Ø 9.4x14.8	1 6
8	36.2002.51	Guida valvola	1 6
9	90.3847.00	OR Ø 20.24x2.62 (3081)	4 5 6
10	98.2220.00 98.2222.00	Tappo M24x2x16.5 Tappo M24x2x16.5 - NICKEL	4 5 6
11	36.7032.01	Gruppo valvola	1 6
12	99.3039.00	Vite M8x16 UNI 5931	8
14	90.3913.00	OR Ø 67.95x2.62 (3325)	2
15	91.8375.00	Cuscinetto a rulli 32206	2
16	90.1625.00	Anello rad. Ø 22x32x2.5	2 3
17	90.9126.00	Boccola Ø 22x25x30	3


POS	COD.	DESCRIZIONE - DESCRIPTION - KIT	NR
18	47.0100.22	Carter	1
19	98.2106.00	Tappo carico olio G 3/8"	1
20	90.3922.00	OR Ø 133.02x2.62 (3525)	1
21	47.0200.35 47.0201.35 47.0211.35	Albero - D. PTO - W92-W101 Albero - D. PTO - W132-W151-W162-W201 Albero - D. PTO - W131	1 1 1
22	90.0557.00	Anello di fermo Ø 12	6
23	91.4878.00	Linguetta 8x7x25 UNI 6604	1
24	97.7380.00	Spinotto Ø 13x35	3
25	47.0503.56 47.0504.66 47.0505.54	Guida pistone - W162-W201 Guida pistone - W92 -W101 Guida pistone - W132-W131-W151	3 3 3
26	47.0300.01	Biella completa	3
27	99.1837.00 99.1912.00	Vite M6x14 UNI 5931 - W92-W101 Vite M6x30 UNI 5931 - W132-W131 W151-W162-W201	5 5
28	47.1600.22 47.1601.22	Coperchio carter - W92-W101 Coperchio carter - W132-W131-W151 W162-W201	1 1
29	97.5968.00	Spia livello olio G 3/4"	1
30	98.2041.00	Tappo G 1/4"x9	1
31	90.3585.00	OR Ø 10.82x1.78 (2043)	6 4
32	99.3099.00	Vite M8x35 UNI 5931	6
34	96.7286.00	Rosetta Ø 14x28x0.5	6 3
35	47.0404.09 47.0405.09	Pistone Ø 20 Pistone Ø 22	3 3
36	90.5067.00	Anello antiest. Ø 11x14x1.5	6 3

POS	COD.	DESCRIZIONE - DESCRIPTION - KIT	NR
37	96.7280.00	Rosetta Ø 14x18.5x0.5	6 3
38	47.2195.66	Vite fissaggio pistone	6 3
39	47.1510.22	Coperchio cuscinetto	2
40	97.5678.00	Spessore	2
41	90.1648.00	Anello rad. Ø 30x55x7	3 2
42	90.3616.00	OR Ø 34.65x1.78 (2137)	10-14-28-29 3
43	47.0805.70 47.0806.70	Anello di fondo Ø 20 Anello di fondo Ø 22	10-28 14-29 3 3
44	90.2705.00 90.2725.00	Anello tenuta Ø 20 H.P. Anello tenuta Ø 22 H.P.	28-69 29-148 3 3
45	47.1000.51 46.1000.51	Anello di testa Ø 20 Anello di testa Ø 22	7-28 11-29 3 3
46	47.2169.70 47.2170.70	Anello intermedio Ø 20 Anello intermedio Ø 22	28-71 29-149 3 3
47	90.2704.00 90.2730.00	Anello RESTOP Ø 20 Anello RESTOP Ø 22	28-69-71 29-148-149 3 3
48	47.2000.74	Piedino	2
49	99.3644.00	Vite M10x18 UNI 5931	4
50	96.7106.00	Rosetta Ø 10 DIN 7980	4
51	98.2176.00	Tappo G 1/2"x10	1
52	96.7514.00	Rosetta Ø 21.5x27x1.5	1
53	98.2100.00	Tappo G 3/8"x13	1
54	96.7380.00	Rosetta Ø 17.5x23x1.5	1
55	47.2124.51	Cappellotto PTO	1
56	90.2710.00 90.2728.00	Anello tenuta Ø 20 L.P. Anello tenuta Ø 22 L.P.	28-69 29-148 3 3

**SERIE 47**



\* Fissare con Loctite 542 col. ROSSO  
\* Affix with Loctite 542 col. RED  
\* Fixer avec la Loctite 542 couleur ROUGE  
\* Mit Loctite 542 ROT befestigen  
\* Fijar con Loctite 542 col. ROJO  
\* Fixar com Loctite 542 cor. VERMELHA



**WS82 - WS101 - WS133**  
**WS912 - WS913 - WS102**  
**WS131 - WS151**  
**WS171 - WS201 - W916**  
**WS152 - WS202 - W921**  
**W914 - W922**

**WS82 - WS101 - WS133**  
**WS912 - WS913 - WS102**  
**WS131 - WS151 - WS171**  
**W914**

---

**WS201 - W916 - WS152**  
**WS202 - W921 - W922**

### KIT RICAMBI - SPARE KITS

OTTONE  
BRASS

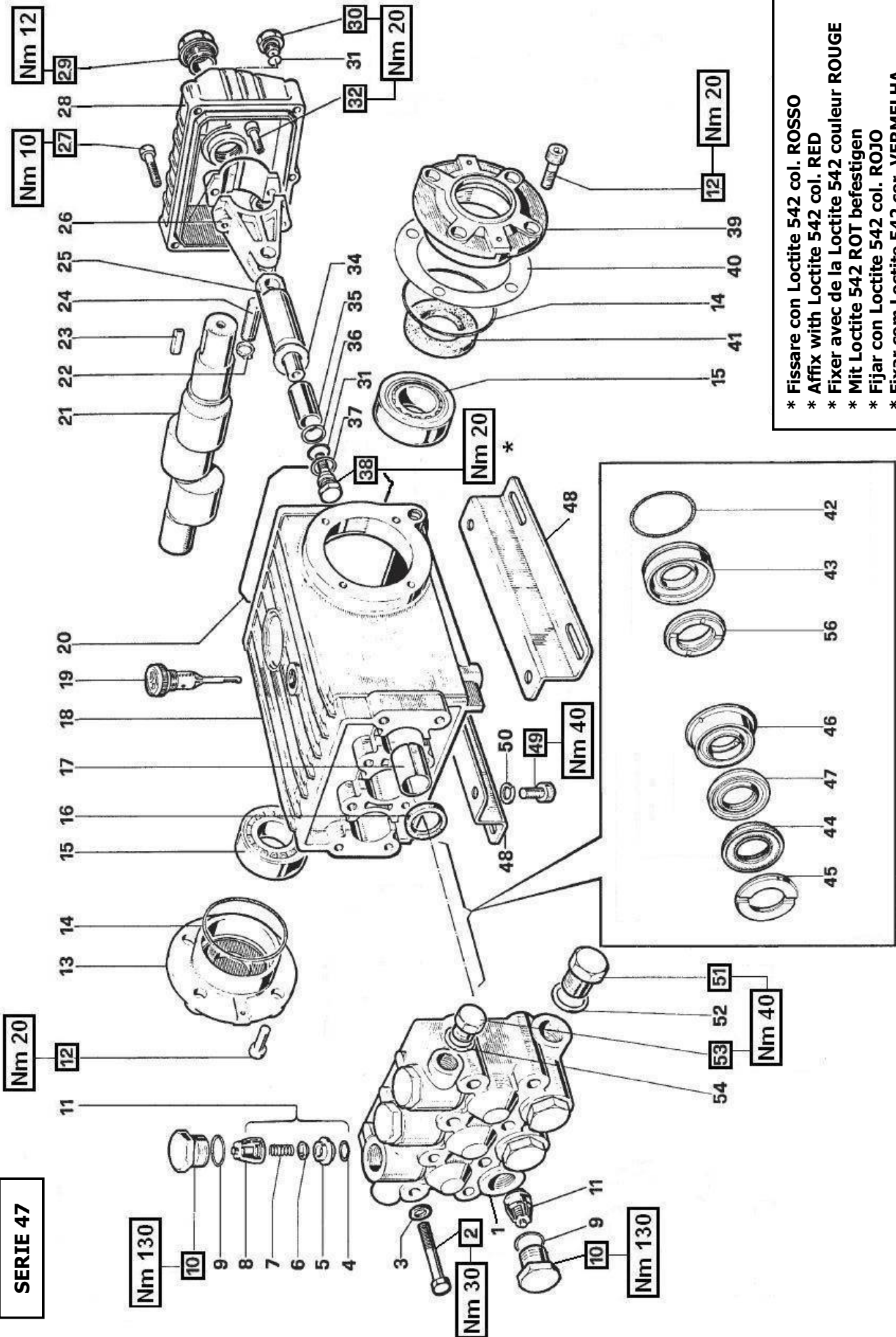
NICKEL

KIT Nr.	KIT 1	KIT 2	KIT 3	KIT 4	KIT 5	KIT 6	KIT 7	KIT 10	KIT 28	KIT 69	KIT 71
Posizioni incluse Positions included	4-5 6-7 8 (11)	16	41	9-10	9-10	31-34 36-37 38	45	42-43 44-45 46-47 56	42-43 44-45 46-47 56	44-47 56	46-47
Nr. Pcs.	6	3	2	6	6	3	6	3	1	3	3

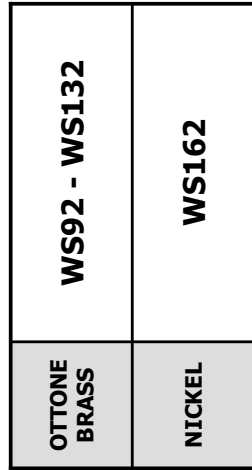
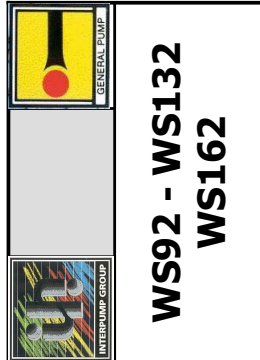
POS	COD.	DESCRIZIONE - DESCRIPTION - KIT	NR	POS	COD.	DESCRIZIONE - DESCRIPTION - KIT	NR
20	90.3922.00	OR Ø 133.02x2.62 (3525)	1	34	96.7286.00	Rosetta Ø 14x28x0.5	3
	47.0204.35	Albero - WS102	1	35	47.0404.09	Pistone Ø 20	3
	47.0206.35	Albero - WS151-WS201-W916-W914-W922	1	36	90.5067.00	Anello antifest. Ø 11x14x1.5	6
	47.0210.35	Albero - WS131	1	37	96.7280.00	Rosetta Ø 14x18.5x0.5	6
21	47.0215.35	Albero - WS171	1	38	47.2195.66	Vite fissaggio pistone	6
	47.0217.35	Albero - WS82-WS152-WS202	1	39	47.1510.22	Coperchio cuscinetto	1
	47.0218.35	Albero - WS101-W912	1	40	97.5678.00	Spessore	2
	47.0219.35	Albero - WS133-W913-W921	1	41	90.1648.00	Anello rad. Ø 30x55x7	3
	47.0230.35	Albero - W914-W922	1	42	90.3616.00	OR Ø 34.65x1.78 (2137)	10-28
22	90.0557.00	Anello di fermo Ø 12	6	43	47.0805.70	Anello di fondo Ø 20	10-28
23	91.4890.00	Linguetta 8x7x35 UNI 6604	1	44	90.2705.00	Anello tenuta Ø 20 H.P.	28-69
24	97.7380.00	Spinotto Ø 13x35	3	45	47.1000.51	Anello di testa Ø 20	7-28
	47.0503.56	Guida pistone - WS201-W916-WS152-W922 WS202-W921	3	46	47.2169.70	Anello intermedio Ø 20	28-71
25	47.0504.66	Guida pistone - WS82-WS101-WS133-W912 W913	3	47	90.2704.00	Anello RESTOP Ø 20	28-69-71
	47.0505.54	Guida pistone - WS102-WS131-WS151 WS171-W914	3	48	47.2000.74	Piedino	2
26	47.0300.01	Biella completa	3	49	99.3644.00	Vite M10x18 UNI 5931	4
	99.1837.00	Vite M6x14 UNI 5931 - WS82-WS101 WS133-W912-W913	5	50	96.7106.00	Rosetta Ø 10 DIN 7980	4
27	99.1912.00	Vite M6x30 UNI 5931 - WS102-WS131 WS151-WS171-WS201-W916-WS152-WS202 W921-W914-W922	5	51	98.2176.00	Tappo G 1/2"x10	1
	47.1600.22	Coperchio carter - WS82-WS101-WS133 W912-W913	1	52	96.7514.00	Rosetta Ø 21.5x27x1.5	1
28	47.1601.22	Coperchio carter - WS102-WS131-WS151 WS171-WS201-W916-WS152-WS202-W921 W914-W922	1	53	98.2100.00	Tappo G 3/8"x13	1
29	97.5968.00	Spia livello olio G 3/4"	1	54	96.7380.00	Rosetta Ø 17.5x23x1.5	1
30	98.2041.00	Tappo G 1/4"x9	1	56	90.2710.00	Anello tenuta Ø 20 L.P.	28-69
31	90.3585.00	OR Ø 10.82x1.78 (2043)	6				
32	99.3099.00	Vite M8x35 UNI 5931	6				

POS	COD.	DESCRIZIONE - DESCRIPTION - KIT	NR
1	47.1201.41	Testata Ø 20	1
	47.1202.41	Testata Ø 20 - NICKEL	1
2	99.3206.00	Vite M8x70 UNI 5737	8
3	96.7020.00	Rosetta Ø 8 UNI 1736	8
4	90.3841.00	OR Ø 17.13x2.62 (3068)	1
5	36.2003.66	Sede valvola	1
6	36.2001.76	Valvola	1
7	94.7376.00	Molla Ø 9.4x14.8	1
8	36.2002.51	Guida valvola	1
9	90.3847.00	OR Ø 20.24x2.62 (3081)	4
10	98.2220.00	Tappo M24x2x16.5	4
	98.2222.00	Tappo M24x2x16.5 - NICKEL	5
11	36.7032.01	Gruppo valvola	1
12	99.3039.00	Vite M8x16 UNI 5931	8
13	47.1511.22	Coperchio cuscinetto	1
14	90.3913.00	OR Ø 67.95x2.62 (3325)	2
15	91.8375.00	Cuscinetto 32206	2
	91.8377.00	Cuscinetto 32206 - WS152-WS202-W921	2
16	90.1625.00	Anello rad. Ø 22x32x2.5	2
17	90.9126.00	Boccola Ø 22x25x30	3
18	47.0100.22	Carter	1
	47.0102.22	Carter - WS152-WS202-W921	1
19	98.2106.00	Tappo carico olio G 3/8"	1

**SERIE 47**



\* Fissare con Loctite 542 col. ROSSO  
\* Affix with Loctite 542 col. RED  
\* Fixer avec la Loctite 542 couleur ROUGE  
\* Mit Loctite 542 ROT befestigen  
\* Fijar con Loctite 542 col. ROJO  
\* Fixar com Loctite 542 cor. VERMELHA



**KIT RICAMBI -- SPARE KITS**

OTTONE  
BRASS

NICKEL

KIT Nr.	KIT 1	KIT 2	KIT 3	KIT 4	KIT 5	KIT 6	KIT 11	KIT 14	KIT 29	KIT 148	KIT 149
Posizioni include Positions included (11)	4-5 6-7 8	16	41	9-10	9-10	31-34 36-37 38	45	42-43	42-43 44-45 46-47 56	44-47 56	46-47
Nr. Pcs.	6	3	2	6	6	3	6	3	1	3	3

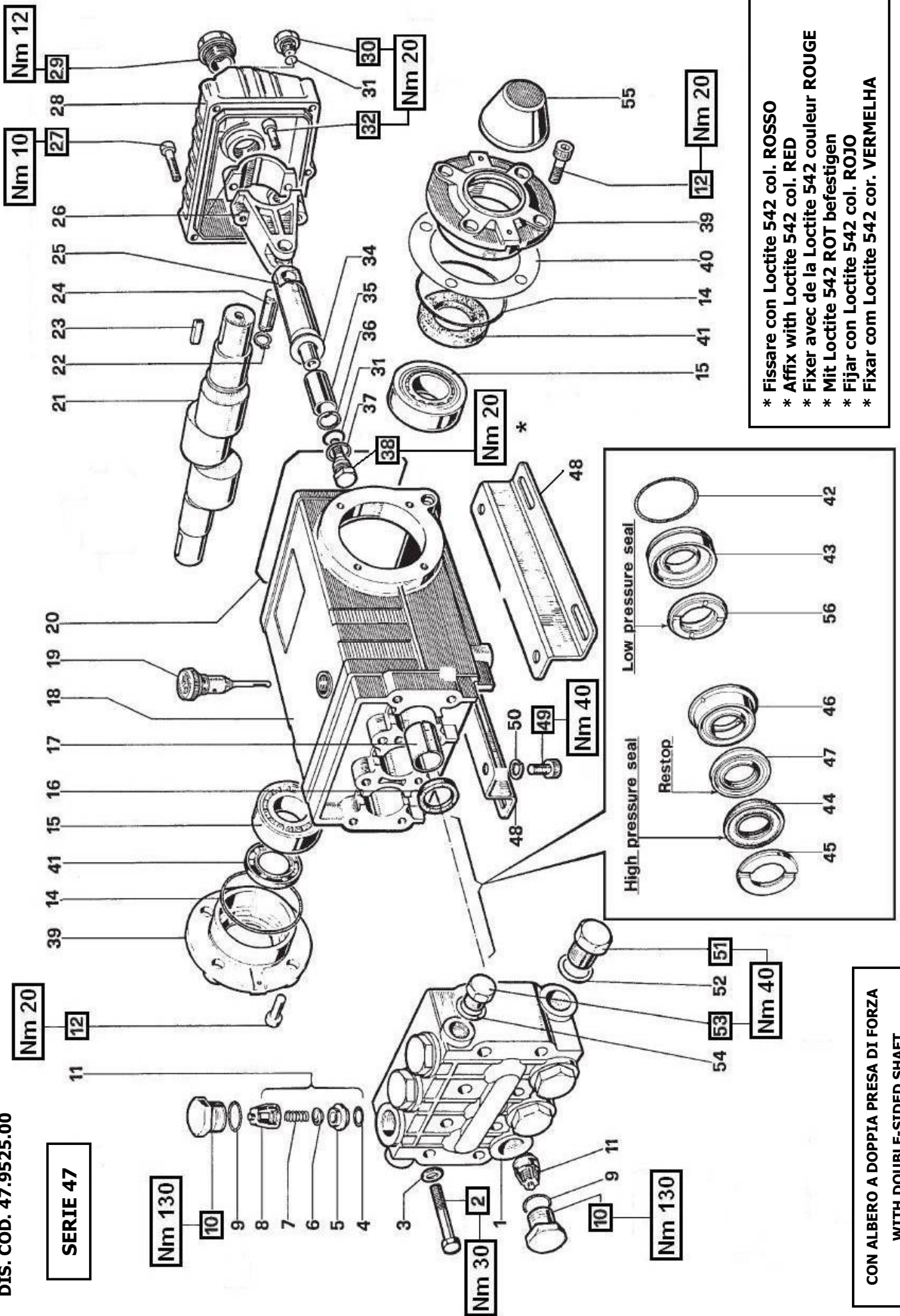
POS	COD.	DESCRIZIONE - DESCRIPTION - KIT	NR
1	47.1201.41 47.1202.41	Testata Ø 22 Testata Ø 22 - NICKEL	1 1
2	99.3206.00	Vite M8x70 UNI 5737	8
3	96.7020.00	Rosetta Ø 8 UNI 1736	8
4	90.3841.00	OR Ø 17.13x2.62 (3068)	1 6
5	36.2003.66	Sede valvola	1 6
6	36.2001.76	Valvola	1 6
7	94.7376.00	Molla Ø 9.4x14.8	1 6
8	36.2002.51	Guida valvola	1 6
9	90.3847.00	OR Ø 20.24x2.62 (3081)	4 5 6
10	98.2220.00 98.2222.00	Tappo M24x2x16.5 Tappo M24x2x16.5 - NICKEL	4 6 5 6
11	36.7032.01	Gruppo valvola	1 6
12	99.3039.00	Vite M8x16 UNI 5931	8
13	47.1511.22	Coperchio cuscinetto	1
14	90.3913.00	OR Ø 67.95x2.62 (3325)	2
15	91.8375.00	Cuscinetto 32206	2
16	90.1625.00	Anello rad. Ø 22x32x2.5	2 3
17	90.9126.00	Boccola Ø 22x25x30	3
18	47.0100.22	Carter	1
19	98.2106.00	Tappo carico olio G 3/8"	1
20	90.3922.00	OR Ø 133.02x2.62 (3525)	1
21	47.0206.35 47.0218.35	Albero - WS132-WS162 Albero - WS92	1 1

POS	COD.	DESCRIZIONE - DESCRIPTION - KIT	NR
22	90.0557.00	Anello di fermo Ø 12	6
23	91.4890.00	Linguetta 8x7x35 UNI 6604	1
24	97.7380.00	Spinotto Ø 13x35	3
25	47.0503.56 47.0504.66 47.0505.54	Guida pistone - WS162 Guida pistone - WS92 Guida pistone - WS132	3 3 3
26	47.0300.01	Biella completa	3
27	99.1837.00 99.1912.00	Vite M6x14 UNI 5931 - WS92 Vite M6x30 UNI 5931 - WS132-WS162	5 5
28	47.1600.22 47.1601.22	Coperchio carter - WS92 Coperchio carter - WS132-WS162	1 1
29	97.5968.00	Spia livello olio G 3/4"	1
30	98.2041.00	Tappo G 1/4"x9	1
31	90.3585.00	OR Ø 10.82x1.78 (2043)	6 4
32	99.3099.00	Vite M8x35 UNI 5931	6
34	96.7286.00	Rosetta Ø 14x28x0.5	6 3
35	47.0405.09	Pistone Ø 22	3
36	90.5067.00	Anello antiest. Ø 11x14x1.5	6 3
37	96.7280.00	Rosetta Ø 14x18.5x0.5	6 3
38	47.2195.66	Vite fissaggio pistone	6 3
39	47.1510.22	Coperchio cuscinetto	1
40	97.5678.00	Spessore	2
41	90.1648.00	Anello rad. Ø 30x55x7	3 1

POS	COD.	DESCRIZIONE - DESCRIPTION - KIT	NR
42	90.3616.00	OR Ø 34.65x1.78 (2137)	14-29 3
43	47.0806.70	Anello di fondo Ø 22	14-29 3
44	90.2725.00	Anello tenuta Ø 22 H.P.	29-148 3
45	46.1000.51	Anello di testa Ø 22	11-29 3
46	47.2170.70	Anello intermedio Ø 22	29-149 3
47	90.2730.00	Anello RESTOP Ø 22	29-148-149 3
48	47.2000.74	Piedino	2
49	99.3644.00	Vite M10x18 UNI 5931	4
50	96.7106.00	Rosetta Ø 10 DIN 7980	4
51	98.2176.00	Tappo G 1/2"x10	1
52	96.7514.00	Rosetta Ø 21.5x27x1.5	1
53	98.2100.00	Tappo G 3/8"x13	1
54	96.7380.00	Rosetta Ø 17.5x23x1.5	1
56	90.2728.00	Anello tenuta Ø 22 L.P.	29-148 3

DIS. COD. 47.9525.00

SERIE 47





- \* Fissare con Loctite 542 col. ROSSO
- \* Affix with Loctite 542 col. RED
- \* Fixer avec de la Loctite 542 couleur ROUGE
- \* Mit Loctite 542 ROT befestigen
- \* Fijar con Loctite 542 col. ROJO
- \* Fixar com Loctite 542 cor. VERMELHA

CON ALBERO A DOPPIA PRESA DI FORZA  
WITH DOUBLE-SIDED SHAFT



## KIT RICAMBI – SPARE KITS

	
<b>T921 – T1321 T1011 – T1311 T1511 – T1621 T2011</b>	

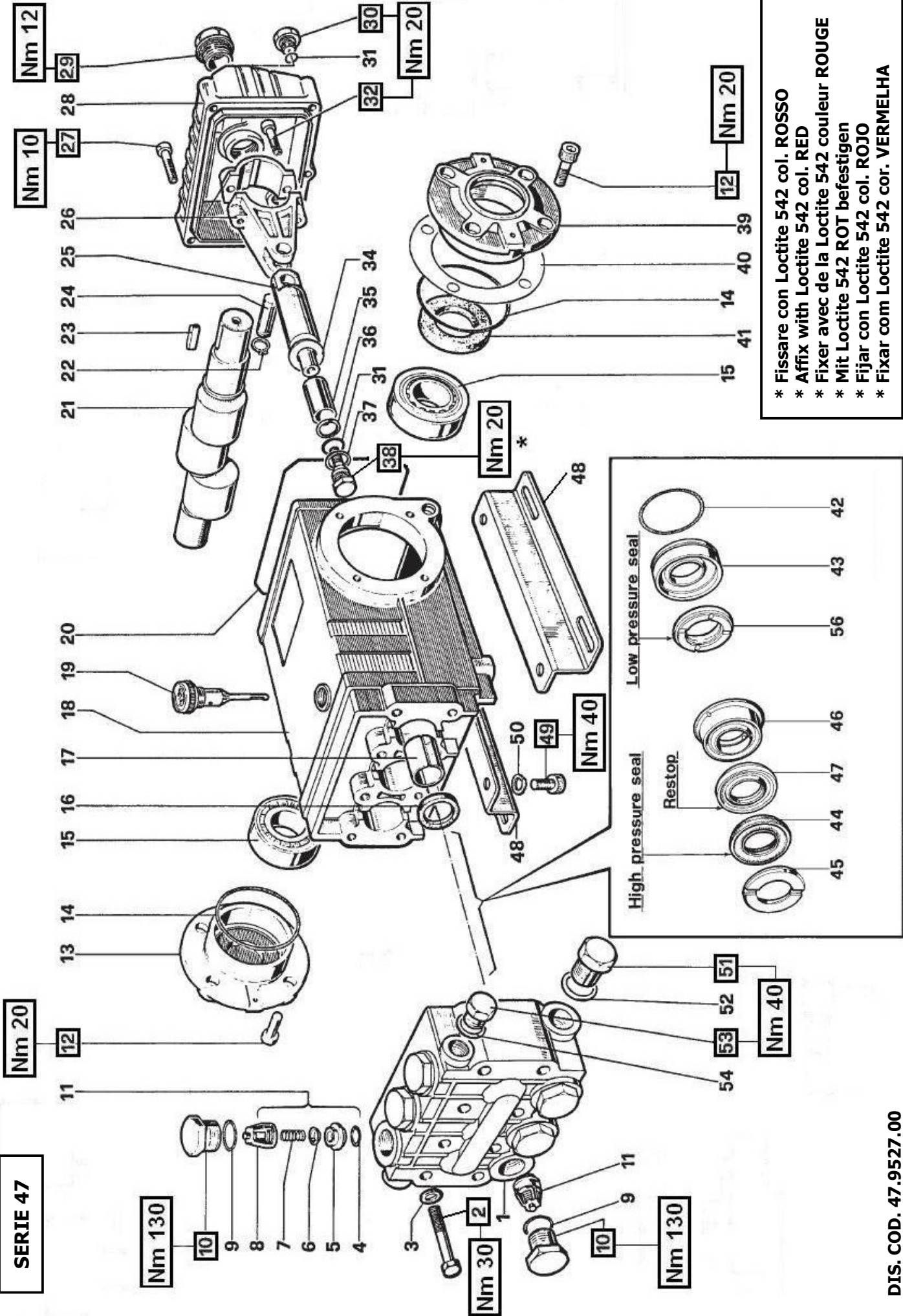
KIT Nr.	KIT 1	KIT 2	KIT 3	KIT 6	KIT 4	KIT 5	KIT 7	KIT 10	KIT 28	KIT 69	KIT 71	KIT 11	KIT 14	KIT 29	KIT 148	KIT 149
Posizioni incluse Positions included	4-5 6-7 8 (11)	16	41	31-34 36-37 38	9-10	9-10	45	42-43	42-43 44-45 46-47 56	44-47 56	46-47	45	42-43	42-43 44-45 46-47 56	44-47 56	46-47
Nr. Pcs.	6	3	2	3	6	6	6	3	1	3	3	6	3	1	3	3

PISTONE – PISTON Ø20		PISTONE – PISTON Ø22	
<b>OTTONE BRASS</b>	<b>T1011 - T1311 T1511</b>	<b>T921 – T1321</b>	
<b>NICKEL</b>	<b>T2011</b>	<b>T1621</b>	


POS	COD.	DESCRIZIONE – DESCRIPTION - KIT	NR
18	47.0104.22	Carter	1
19	98.2106.00	Tappo carico olio G 3/8"	1
20	90.3922.00	OR Ø 133.02x2.62 (3525)	1
21	47.0200.35 47.0201.35	Albero – D. p.d.f. - T921-T1011 Albero – D. p.d.f. - T1321-T1511-T1621-T2011	1 1
22	47.0211.35 47.0217.35	Albero – D. p.d.f. - T1311 Albero – USA	1 1
22	90.0557.00	Anello di fermo	6
23	91.4878.00 91.4890.00	Linguetta 8x7x25 UNI 6604 Linguetta 8x7x35 UNI 6604 – USA	1 1
24	97.7380.00	Spinotto Ø 13x35	3
25	47.0503.56 47.0504.66 47.0505.54	Guida pistone - T1621-T2011 Guida pistone - T921 Guida pistone - T1321	3 3 3
26	47.0300.01	Biella completa	3
27	99.1837.00 99.1912.00	Vite M6x14 UNI 5931 - T921-T1011 Vite M6x30 UNI 5931 - T1321-T1311-T1511-T1621-T2011	5 5
28	47.1600.22 47.1601.22	Coperchio carter - T921-T1011 Coperchio carter - T1321-T1311-T1511-T1621-T2011	1 1
29	97.5968.00	Spia livello olio G 3/4"	1
30	98.2041.00	Tappo G 1/4"x9	1
31	90.3585.00	OR Ø 10.82x1.78 (2043)	6
32	99.3099.00	Vite M8x35 UNI 5931	6
34	96.7286.00	Rosetta Ø 14x28x0.5	6
35	47.0404.09 47.0405.09	Pistone Ø 20 Pistone Ø 22	3 3
36	90.5067.00	Anello antiest. Ø 11x14x1.5	6

POS	COD.	DESCRIZIONE – DESCRIPTION - KIT	NR
37	96.7280.00	Rosetta Ø 14x18.5x0.5	6
38	47.2195.66	Vite fissaggio pistone	6
39	47.1510.22	Coperchio cuscinetto	2
40	97.5678.00	Spessore	2
41	90.1648.00	Anello rad. Ø 30x55x7	3
42	90.3616.00	OR Ø 34.65x1.78 (2137) 10-14-28-29	3
43	47.0805.70 47.0806.70	Anello di fondo Ø 20 Anello di fondo Ø 22	10-28 14-29
44	90.2705.00 90.2725.00	Anello tenuta Ø 20 H.P. Anello tenuta Ø 22 H.P.	28-69 29-148
45	47.1000.51 46.1000.51	Anello di testa Ø 20 Anello di testa Ø 22	7-28 11-29
46	47.2169.70 47.2170.70	Anello intermedio Ø 20 Anello intermedio Ø 22	28-71 29-149
47	90.2704.00 90.2730.00	Anello RESTOP Ø 20 Anello RESTOP Ø 22	28-69-71 29-148-149
48	47.2000.74	Piedino	2
49	99.3644.00	Vite M10x18 UNI 5931	4
50	96.7106.00	Rosetta Ø 10 DIN 7980	4
51	98.2176.00	Tappo G 1/2"x10	1
52	85.7514.00	Rosetta Ø 21.5x27x1.5	1
53	98.2100.00	Tappo G 3/8"x13	1
54	96.7380.00	Rosetta Ø 17.5x23x1.5	1
55	47.2124.51	Cappellotto p.d.f.	1
56	90.2710.00 90.2728.00	Anello tenuta Ø 20 L.P. Anello tenuta Ø 22 L.P.	28-69 29-148

**SERIE 47**



- \* Fissare con Loctite 542 col. ROSSO
- \* Affix with Loctite 542 col. RED
- \* Fixer avec de la Loctite 542 couleur ROUGE
- \* Mit Loctite 542 ROT befestigen
- \* Fijar con Loctite 542 col. ROJO
- \* Fixar com Loctite 542 cor. VERMELHA



**TS821 - TS1011 - TS1331**  
**T9121 - T9131 - TS1021**  
**TS1311 - TS1511 - TS1711**  
**TS2011 - T9161 - TS1521**  
**TS2021 - T9211**

**TS821 - TS1011 - TS1331**  
**TS9121 - T9131 - TS1021**  
**TS1311 - TS1511 - TS1711**

**OTTONE BRASS**

**TS2011 - T9161 - TS1521**  
**TS2021 - T9211**

**NICKEL**

**KIT RICAMBI - SPARE KITS**

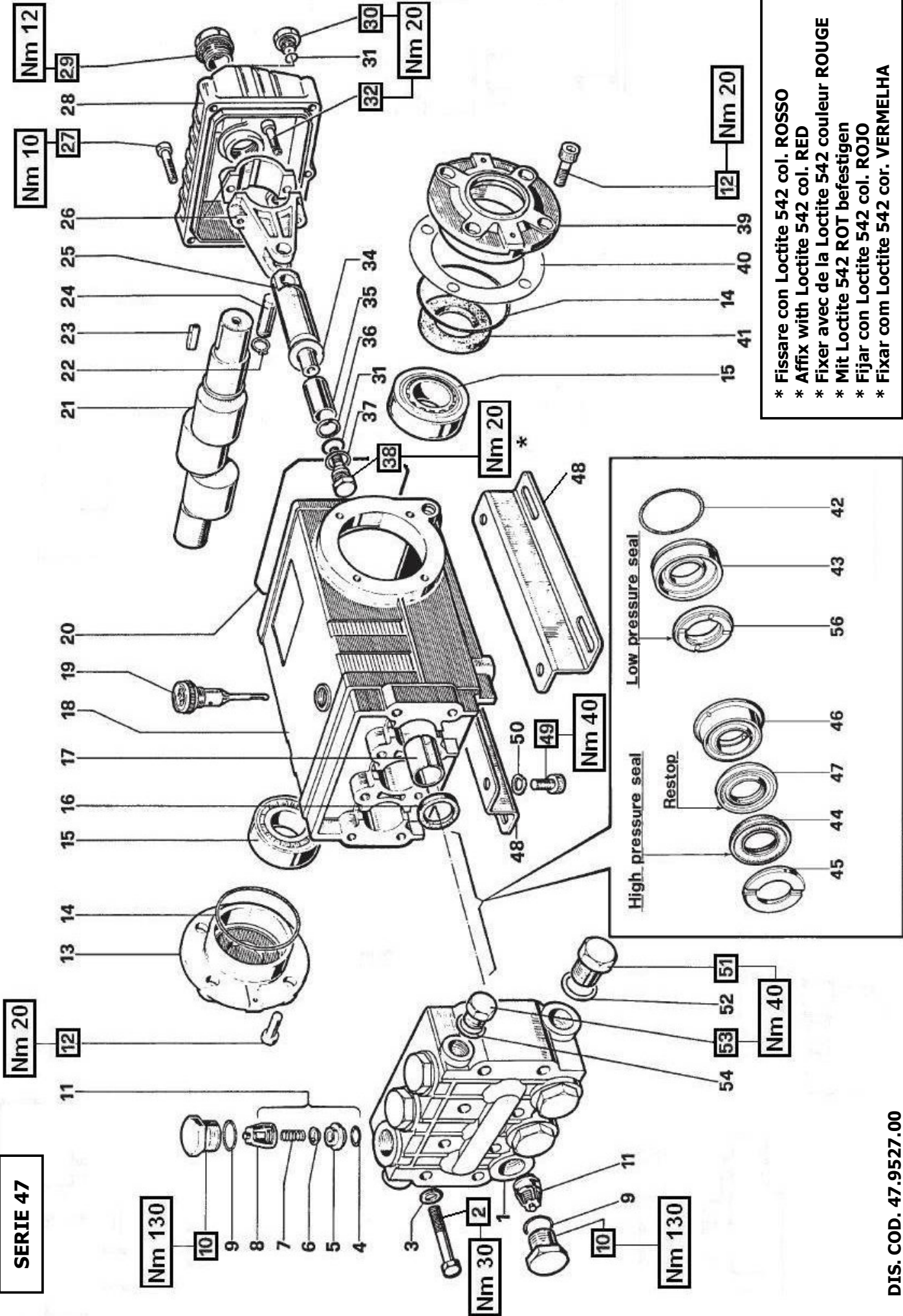
KIT Nr.	KIT 1	KIT 2	KIT 3	KIT 6	OTTONE BRASS			NICKEL		
					KIT 4	KIT 5	KIT 7	KIT 10	KIT 28	KIT 69
Posizioni incluse Positions included (11)	4-5 6-7 8 (11)	16	41	31-34 36-37 38	9-10	9-10	45	42-43 44-45 46-47 56	44-47 56	46-47
Nr. Pcs.	6	3	2	3	6	6	6	3	1	3

POS	COD.	DESCRIZIONE - DESCRIPTION - KIT	NR
1	47.1208.41 47.1209.41	Testata - OTT.- BRASS Testata - NICKEL	1 1
2	99.3206.00	Vite M8x70 UNI 5737	8
3	96.7020.00	Rosetta Ø 8 UNI 1736	8
4	90.3841.00	OR Ø 17.13x2.62 (3068)	1
5	36.2003.66	Sede valvola	1
6	36.2001.76	Valvola	1
7	94.7376.00	Molla Ø 9.4x14.8	1
8	36.2002.51	Guida valvola	1
9	90.3847.00	OR Ø 20.24x2.62 (3081)	4-5
10	98.2220.00 98.2222.00	Tappo M24x2x16.5 - OTT.- BRASS Tappo M24x2x16.5 - NICKEL	4 5
11	36.7032.01	Gruppo valvola	1
12	99.3039.00	Vite M8x16 UNI 5931	8
13	47.1511.22	Coperchio cuscinetto	1
14	90.3913.00	OR Ø 67.95x2.62 (3325)	2
15	91.8375.00 91.8377.00	Cuscinetto 32206 Cuscinetto 32206 - TS1521-TS2021 T9211	2 2
16	90.1625.00	Anello rad. Ø 22x32x2.5	2
17	90.9126.00	Boccola Ø 22x25x30	3
18	47.0104.22 47.0105.22	Carter Carter - TS1521-TS2021-T9211	1 1
19	98.2106.00	Tappo carico olio G 3/8"	1
20	90.3922.00	OR Ø 133.02x2.62 (3525)	1

POS	COD.	DESCRIZIONE - DESCRIPTION - KIT	NR
21	47.0204.35 47.0206.35 47.0210.35 47.0215.35 47.0217.35 47.0218.35 47.0219.35	Albero - TS1021 Albero - TS1511-T9161-TS2011 Albero - TS1311 Albero - TS1711 Albero - TS821-TS1521-TS2021 Albero - TS1011-T9121 Albero - TS1331-T9131-T9211	1 1 1 1 1 1 1
22	90.0557.00	Anello di fermo	6
23	91.4878.00 91.4890.00	Linguetta 8x7x25 UNI 6604 Linguetta 8x7x35 UNI 6604 - TS1521 TS2021-T9211	1 1
24	97.7380.00	Spinotto Ø 13x35	3
25	47.0503.56 47.0504.66 47.0505.54	Guida pist. - TS2011-T9161-TS1521 TS2021-T9211 Guida pist. - TS821-TS1011-TS1331-T9121 T9131 Guida pist. - TS1021-TS1311-TS1511-TS1711	3 3 3
26	47.0300.01	Biella completa	3
27	99.1837.00 99.1912.00	Vite M6x14 UNI 5931 - TS821-TS1011 TS1331-T9121-T9131 Vite M6x30 UNI 5931 - TS1021-TS1311 TS1511-TS1711-TS2011-T9161-TS1521 TS2021-T9211	5 5
28	47.1600.22 47.1601.22	Coperchio carter - TS821-TS1011-TS1331 T9121-T9131 Coperchio carter - TS1021-TS1311-TS1511 TS1711-TS2011-T9161-TS1521-TS2021 T9211	1 1
29	97.5968.00	Spia livello olio G 3/4"	1
30	98.2041.00	Tappo G 1/4"x9	1
31	90.3585.00	OR Ø 10.82x1.78 (2043)	6
32	99.3099.00	Vite M8x35 UNI 5931	6

POS	COD.	DESCRIZIONE - DESCRIPTION - KIT	NR
34	96.7286.00	Rosetta Ø 14x28x0.5	6
35	47.0404.09	Pistone Ø 20	3
36	90.5067.00	Anello antiest. Ø 11x14x1.5	6
37	96.7280.00	Rosetta Ø 14x18.5x0.5	6
38	47.2195.66	Vite fissaggio pistone	6
39	47.1510.22	Coperchio cuscinetto	1
40	97.5678.00	Spessore	2
41	90.1648.00	Anello rad. Ø 30x55x7	3
42	90.3616.00	OR Ø 34.65x1.78 (2137)	10-14-28-29
43	47.0805.70	Anello di fondo Ø 20	10-28
44	90.2705.00	Anello tenuta Ø 20 H.P.	28-69
45	47.1000.51	Anello di testa Ø 20	7-2
46	47.2169.70	Anello intermedio Ø 20	28-71
47	90.2704.00	Anello RESTOP Ø 20	28-69-71
48	47.2000.74	Piedino	2
49	99.3644.00	Vite M10x18 UNI 5931	4
50	96.7106.00	Rosetta Ø 10 DIN 7980	4
51	98.2176.00	Tappo G 1/2"x10	1
52	85.7514.00	Rosetta Ø 21.5x27x1.5	1
53	98.2100.00	Tappo G 3/8"x13	1
54	96.7380.00	Rosetta Ø 17.5x23x1.5	1
56	90.2710.00	Anello tenuta Ø 20 L.P.	28-69

**SERIE 47**



- \* Fissare con Loctite 542 col. ROSSO
- \* Affix with Loctite 542 col. RED
- \* Fixer avec de la Loctite 542 couleur ROUGE
- \* Mit Loctite 542 ROT befestigen
- \* Fijar con Loctite 542 col. ROJO
- \* Fixar com Loctite 542 cor. VERMELHA



# TS921 – TS1321 TS1621

<b>OTTONE BRASS</b>	<b>TS921 – TS1321</b>
<b>NICKEL</b>	<b>TS1621</b>

## KIT RICAMBI – SPARE KITS

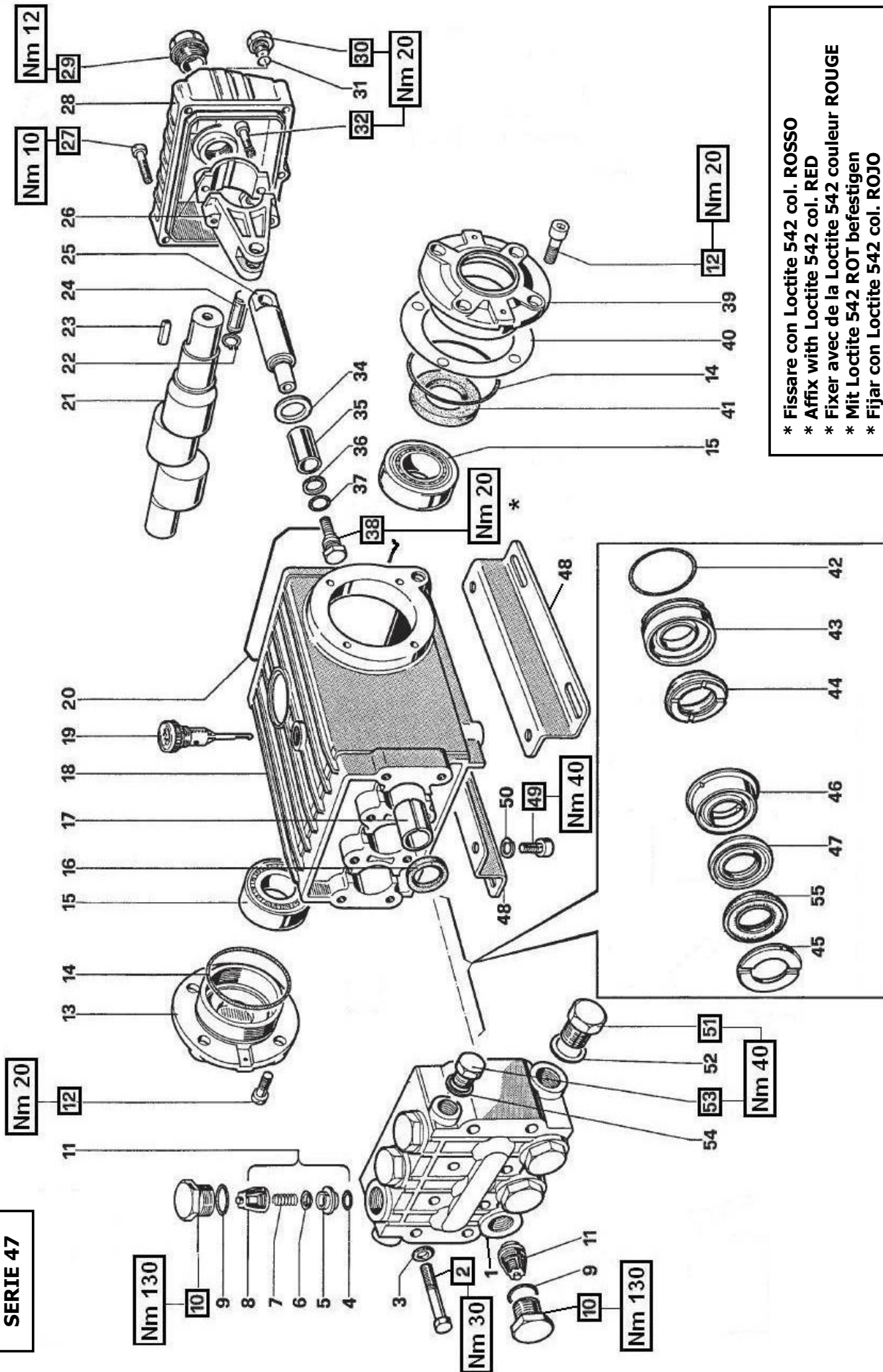
KIT Nr.	KIT 1	KIT 2	KIT 3	KIT 6	OTTONE BRASS			NICKEL		
					KIT 4	KIT 5	KIT 11	KIT 14	KIT 29	KIT 148
Posizioni include Positions included (11)	4-5 6-7 8	16	41	31-34 36-37 38	9-10	9-10	45	42-43 44-45 46-47 56	44-47 56	46-47
Nr. Pcs.	6	3	2	3	6	6	6	3	3	3

POS	COD.	DESCRIZIONE – DESCRIPTION - KIT	NR
1	47.1208.41 47.1209.41	Testata - OTT. - BRASS Testata - NICKEL	1 1
2	99.3206.00	Vite M8x70 UNI 5737	8
3	96.7020.00	Rosetta Ø 8 UNI 1736	8
4	90.3841.00	OR Ø 17.13x2.62 (3068)	1 6
5	36.2003.66	Sede valvola	1 6
6	36.2001.76	Valvola	1 6
7	94.7376.00	Molla Ø 9.4x14.8	1 6
8	36.2002.51	Guida valvola	1 6
9	90.3847.00	OR Ø 20.24x2.62 (3081)	4-5 6
10	98.2220.00 98.2222.00	Tappo M24x2x16.5 - OTT. - BRASS Tappo M24x2x16.5 - NICKEL	4 5 6
11	36.7032.01	Gruppo valvola	1 6
12	99.3039.00	Vite M8x16 UNI 5931	8
13	47.1511.22	Coperchio cuscinetto	1
14	90.3913.00	OR Ø 67.95x2.62 (3325)	2
15	91.8375.00	Cuscinetto 32206	2
16	90.1625.00	Anello rad. Ø 22x32x2.5	2 3
17	90.9126.00	Boccola Ø 22x25x30	3
18	47.0104.22	Carter	1
19	98.2106.00	Tappo carico olio G 3/8"	1
20	90.3922.00	OR Ø 133.02x2.62 (3525)	1
21	47.0206.35 47.0218.35	Albero - TS1321-TS1621 Albero - TS921	1 1

POS	COD.	DESCRIZIONE – DESCRIPTION - KIT	NR
22	90.0557.00	Anello di fermo	6
23	91.4878.00 91.4890.00	Linguetta 8x7x25 UNI 6604 Linguetta 8x7x35 UNI 6604 - USA	1
24	97.7380.00	Spinotto Ø 13x35	3
25	47.0503.56 47.0504.66 47.0505.54	Guida pistone - TS1621 Guida pistone - TS921 Guida pistone - TS1321	3 3 3
26	47.0300.01	Biella completa	3
27	99.1837.00 99.1912.00	Vite M6x14 UNI 5931 - TS921 Vite M6x30 UNI 5931 - TS1321-TS1621	5 5
28	47.1600.22 47.1601.22	Coperchio carter - TS921 Coperchio carter - TS1321-TS1621	1 1
29	97.5968.00	Spia livello olio G 3/4"	1
30	98.2041.00	Tappo G 1/4"x9	1
31	90.3585.00	OR Ø 10.82x1.78 (2043)	6 4
32	99.3099.00	Vite M8x35 UNI 5931	6
34	96.7286.00	Rosetta Ø 14x28x0.5	6 3
35	47.0405.09	Pistone Ø 22	3
36	90.5067.00	Anello antiest. Ø 11x14x1.5	6 3
37	96.7280.00	Rosetta Ø 14x18.5x0.5	6 3
38	47.2195.66	Vite fissaggio pistone	6 3
39	47.1510.22	Coperchio cuscinetto	1
40	97.5678.00	Spessore	2
41	90.1648.00	Anello rad. Ø 30x55x7	3 1

POS	COD.	DESCRIZIONE – DESCRIPTION - KIT	NR
42	90.3616.00	OR Ø 34.65x1.78 (2137) 10-14-28-29	3
43	47.0806.70	Anello di fondo Ø 22	14-29 3
44	90.2725.00	Anello tenuta Ø 22 H.P.	29-148 3
45	46.1000.51	Anello di testa Ø 22	11-29 3
46	47.2170.70	Anello intermedio Ø 22	29-149 3
47	90.2730.00	Anello RESTOP Ø 22	29-148-149 3
48	47.2000.74	Piedino	2
49	99.3644.00	Vite M10x18 UNI 5931	4
50	96.7106.00	Rosetta Ø 10 DIN 7980	4
51	98.2176.00	Tappo G 1/2"x10	1
52	85.7514.00	Rosetta Ø 21.5x27x1.5	1
53	98.2100.00	Tappo G 3/8"x13	1
54	96.7380.00	Rosetta Ø 17.5x23x1.5	1
56	90.2728.00	Anello tenuta Ø 22 L.P.	29-148 3

**SERIE 47**



\* Fissare con Loctite 542 col. ROSSO  
\* Affix with Loctite 542 col. RED  
\* Fixer avec de la Loctite 542 couleur ROUGE  
\* Mit Loctite 542 ROT befestigen  
\* Fijar con Loctite 542 col. ROJO  
\* Fixar com Loctite 542 cor. VERMELHA

DIS. COD. 47.9528.00



# W928 - T9281

## KIT RICAMBI – SPARE KITS

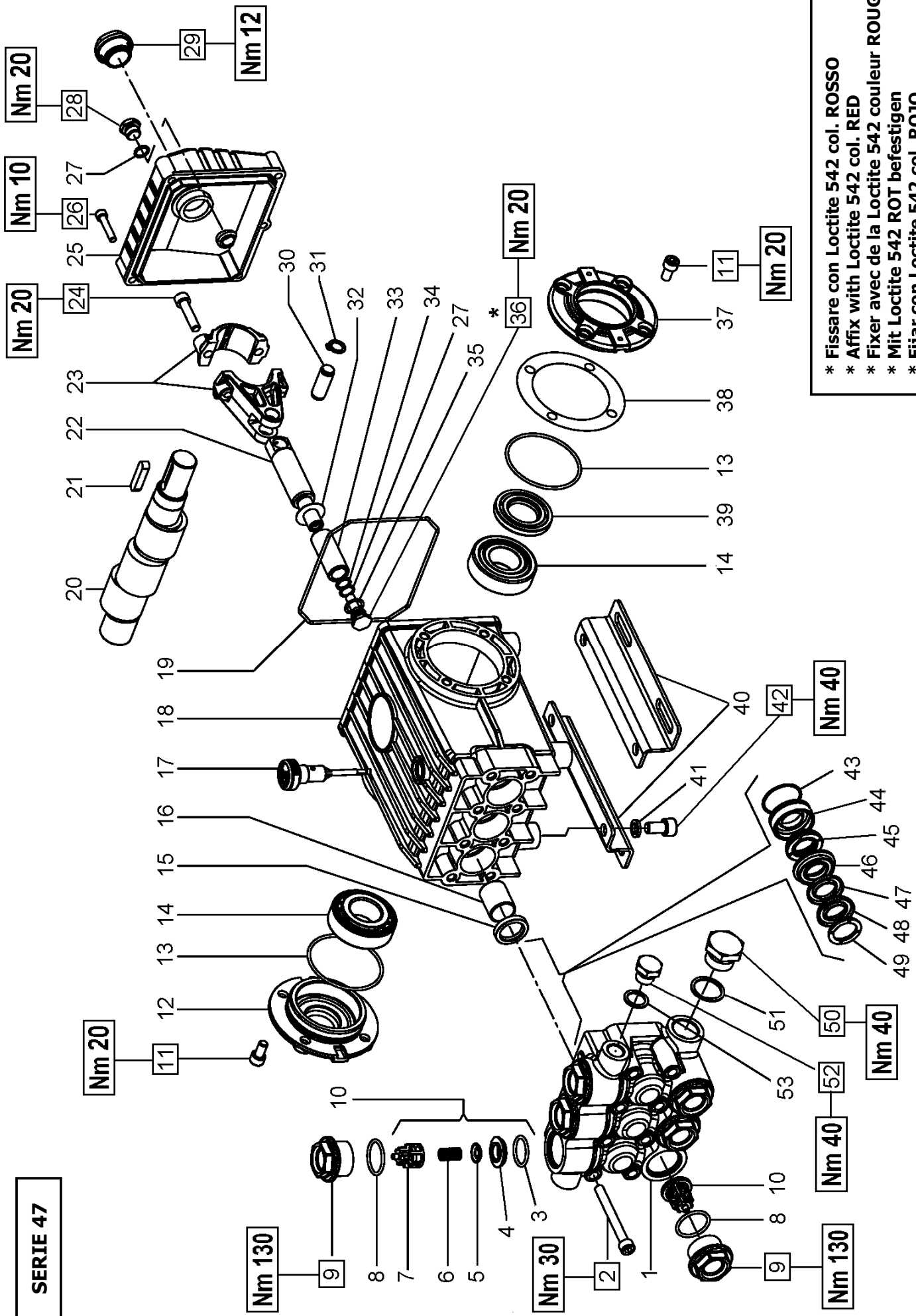
KIT Nr.	KIT 1	KIT 2	KIT 3	KIT 106	KIT 107	KIT 108	KIT 109	KIT 110	KIT 111	KIT 112
Posizioni include Positions included	4-5 6-7 8 (11)	16	41	9-10	36-37 38	45	44-47 55	46	42-43	42-43 44-45 46-47 55
Nr. Pcs.	6	3	2	6	3	6	3	3	3	1

POS	COD.	DESCRIZIONE – DESCRIPTION - KIT	NR
1	47.1214.41	Testata Ø 16 - NICKEL	1
2	99.3206.00	Vite M8x70 UNI 5737	8
3	96.7020.00	Rosetta Ø 8 UNI 1736	8
4	90.3841.00	OR Ø 17.13x2.62 (3068)	1
5	36.2003.66	Sede valvola	1
6	36.2001.76	Valvola	1
7	94.7376.00	Molla Ø 9.4x14.8	1
8	36.2002.51	Guida valvola	1
9	90.3847.00	OR Ø 20.24x2.62 (3081)	106
10	98.2224.00	Tappo M24x1.5x17.5 – H.P.	106
11	36.7032.01	Gruppo valvola	1
12	99.3039.00	Vite M8x16 UNI 5931	8
13	47.1511.22	Coperchio cuscinetto	1
14	90.3913.00	OR Ø 67.95x2.62 (3325)	2
15	91.8377.00	Cuscinetto a rulli 32206	2
16	90.1625.00	Anello rad. Ø 22x32x2.5	2
17	90.9126.00	Boccola Ø 22x25x30	3
18	47.0102.22	Carter	1
19	98.2106.00	Tappo carico olio G 3/8"	1
20	90.3922.00	OR Ø 133.02x2.62 (3525)	1
21	47.0217.35	Albero	1
22	90.0557.00	Anello di fermo Ø 12	6

POS	COD.	DESCRIZIONE – DESCRIPTION - KIT	NR
23	91.4890.00	Linguetta 8x7x35 UNI 6604	1
24	97.7380.00	Spinotto Ø 13x35	3
25	47.0506.66	Guida pistone	3
26	47.0300.01	Biella completa	3
27	99.1912.00	Vite M6x30 UNI 5931	5
28	47.1601.22	Coperchio carter	1
29	97.5968.00	Spia livello olio G 3/4"	1
30	98.2041.00	Tappo G 1/4"x9	1
31	90.3585.00	OR Ø 10.82x1.78 (2043)	1
32	99.3099.00	Vite M8x35 UNI 5931	6
34	47.2117.47	Anello di protezione	3
35	47.0408.56	Pistone Ø 16	3
36	90.5033.00	Anello antiest. Ø 8x11x1.5	107
37	90.3577.00	OR Ø 7.66x1.78 – Spec.	107
38	47.2196.66	Vite fissaggio pistone	107
39	47.1510.22	Coperchio cuscinetto	1
40	97.5678.00	Spessore	2
41	90.1648.00	Anello rad. Ø 30x55x7	3
42	90.3616.00	OR Ø 34.65x1.78 (2137)	111-112
43	47.0808.70	Anello di fondo Ø 16	111-112
44	90.2644.00	Anello tenuta Ø 16 L.P.	109-112
45	47.1003.51	Anello di testa Ø 16	108-112

POS	COD.	DESCRIZIONE – DESCRIPTION - KIT	NR
46	47.2172.70	Anello intermedio Ø 16	110-112
47	90.2643.00	Anello RESTOP Ø 16	109-112
48	47.2000.74	Piedino	2
49	99.3644.00	Vite M10x18 UNI 5931	4
50	96.7106.00	Rosetta Ø 10 DIN 7980	4
51	98.2176.00	Tappo G 1/2"x10	1
52	96.7514.00	Rosetta Ø 21.5x27x1.5	1
53	98.2100.00	Tappo G 3/8"x13	1
54	96.7380.00	Rosetta Ø 17.5x23x1.5	1
55	90.2642.00	Anello tenuta Ø 16 H.P.	109-112

**SERIE 47**



\* Fissare con Loctite 542 col. ROSSO  
 \* Affix with Loctite 542 col. RED  
 \* Fixer avec de la Loctite 542 couleur ROUGE  
 \* Mit Loctite 542 ROT befestigen  
 \* Fijar con Loctite 542 col. ROJO  
 \* Fixar com Loctite 542 cor. VERMELHA



# WS 1630



## KIT RICAMBI – SPARE KITS

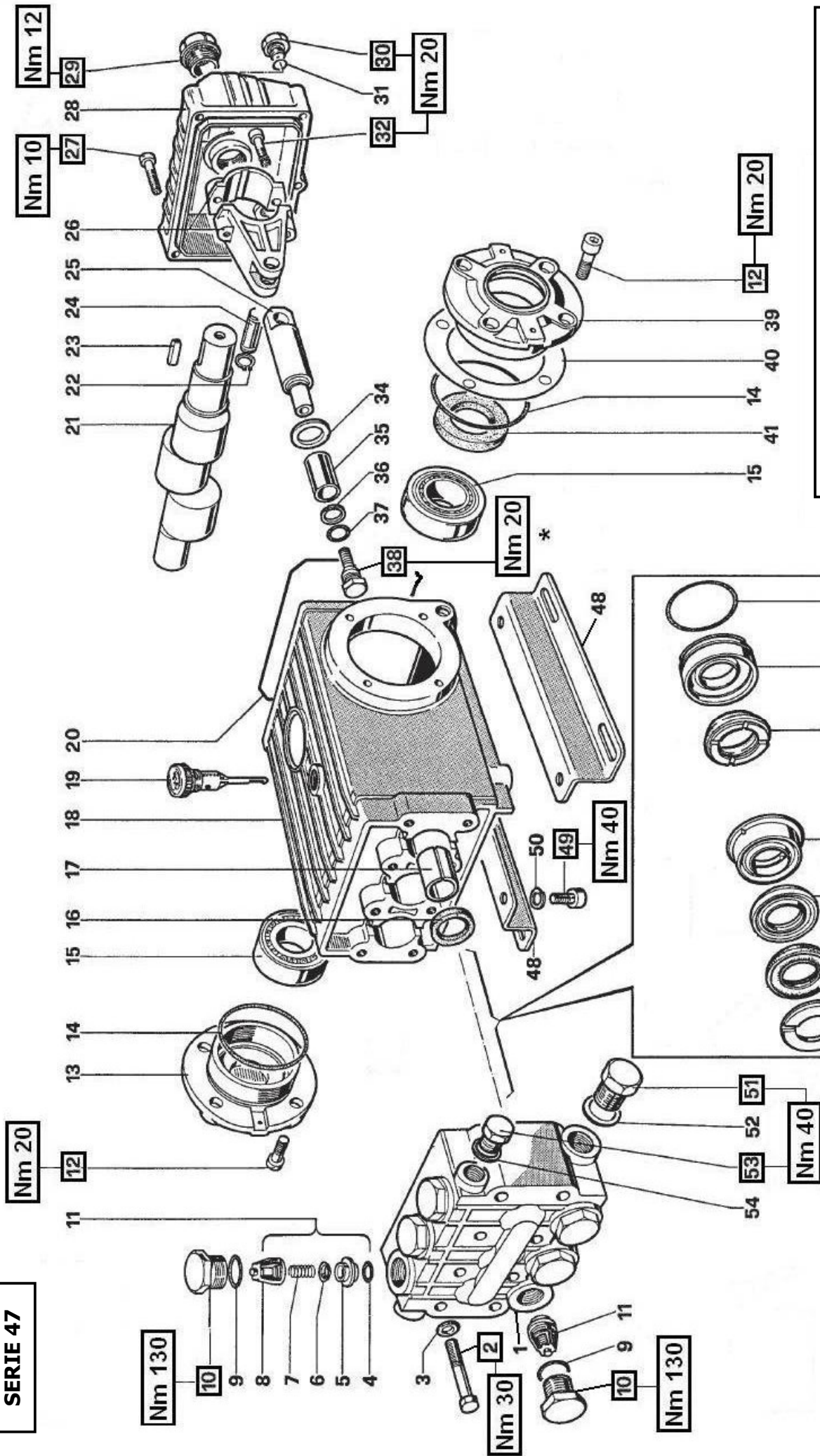
KIT Nr.	KIT 2	KIT 6	KIT 11	KIT 14	KIT 29	KIT 148	KIT 149	KIT 169
Posizioni include Positions included	15	27 - 32 34 - 35 36	49	43 44	43 - 44 45 - 46 47 - 48 49	45 - 47 48	46 - 47	3 - 4 5 - 6 7 (10)
Nr. Pcs.	3	3	6	3	1	3	3	6

POS	COD.	DESCRIZIONE – DESCRIPTION - KIT	NR
1	47.1230.41	Testata Ø 22	1
2	99.3220.00	Vite M8x75 UNI 5931	8
3	90.3857.00	OR Ø 23.81x2.62 (132)	169
4	36.2033.66	Sede valvola	169
5	36.2034.76	Valvola sferica	169
6	94.7388.00	Molla Ø 10x18.5	169
7	36.2035.51	Guida valvola	169
8	90.3864.00	OR Ø 28.25x2.62 (3112)	6
9	98.2300.00	Tappo M32x1.5x17.5	6
10	36.7127.01	Gruppo valvola aspiraz. / mand.	169
11	99.3039.00	Vite M8x16 UNI 5931	8
12	47.1511.22	Coperchio cuscinetto	1
13	90.3913.00	OR Ø 67.95x2.62 (3268)	2
14	91.8375.00	Cuscinetto a rulli 32206	2
15	90.1625.00	Anello rad. Ø 22x32x5.5	2
16	90.9126.00	Boccola Ø 22x25x30	3
17	98.2106.00	Tappo carico olio G 3/8"	1
18	47.0100.22	Carter pompa	1
19	90.3922.00	OR Ø 133.02x2.62 (3525)	1
20	47.0223.35	Albero – WS1630	1
21	91.4878.00	Linguetta 8x7x25 UNI 6604	1

POS	COD.	DESCRIZIONE – DESCRIPTION - KIT	NR
22	47.0504.66	Guida pistone	3
23	47.0300.01	Biella completa	3
24	99.3099.00	Vite M8x35 UNI 5931	6
25	47.1601.22	Coperchio posteriore	1
26	99.1912.00	Vite M6x30 UNI 5931	4
27	90.3585.00	OR Ø 10.82x1.78 (2043)	6
28	98.2041.00	Tappo G 1/4"x9	1
29	97.5968.00	Spia livello olio G 3/4"	1
30	97.7380.00	Spinotto Ø 13x35.5	3
31	90.0557.00	Anello seeger Ø 12	6
32	96.7286.00	Rosetta Ø 14x28x0.5	6
33	47.0405.09	Pistone Ø 22	3
34	90.5067.00	Anello antiest. Ø 11x14x1.5	6
35	96.7280.00	Rosetta Ø 14x18.5x0.5	6
36	47.2195.66	Vite fissaggio pistone	6
37	47.1510.22	Coperchio cuscinetto	1
38	97.5678.00	Spessore	1
39	90.1648.00	Anello rad. Ø 30x55x7	1
40	47.2000.74	Piedino pompa	2
41	96.7106.00	Rosetta Ø 10 DIN 7980	4
42	99.3644.00	Vite M10x18 UNI 5931	4

POS	COD.	DESCRIZIONE – DESCRIPTION - KIT	NR
43	90.3616.00	OR Ø 34.65x1.78 (2137)	14-29
44	47.0806.70	Anello di fondo Ø 22	14-29
45	90.2728.00	Anello ten. alt. Ø 22x35x8.8 LP	29-148
46	47.2170.70	Anello intermedio Ø 22	29-149
47	90.2730.00	Anello RESTOP Ø22x35x5.5/2	29-148-149
48	90.2725.00	Anello ten. alt. Ø 22x35x7/4.5 HP	29-148
49	46.1000.51	Anello di testa Ø 22	11-29
50	98.2268.00	Tappo G 3/4"x16	
51	96.7700.00	Rosetta Ø 26.5x32x1.5	
52	98.2100.00	Tappo G 3/8"x13	
53	96.7380.00	Rosetta Ø 17.5x23x1.5	

**SERIE 47**



\* Fissare con Loctite 542 col. ROSSO  
\* Affix with Loctite 542 col. RED  
\* Fixer avec la Loctite 542 couleur ROUGE  
\* Mit Loctite 542 ROT befestigen  
\* Fijar con Loctite 542 col. ROJO  
\* Fixar com Loctite 542 cor. VERMELHA

DIS. COD. 47.9528.00



# WS251 - WS252

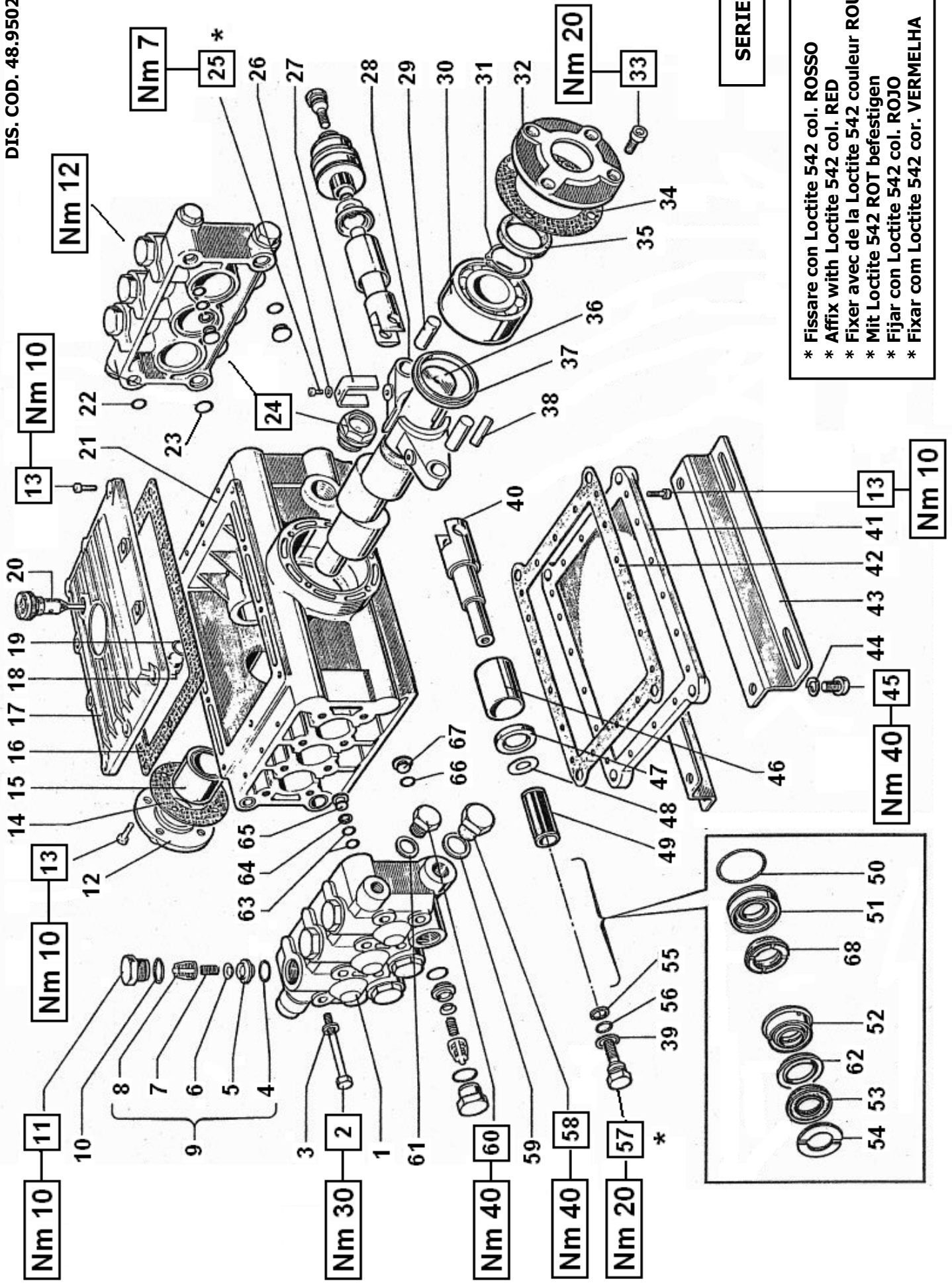
## KIT RICAMBI – SPARE KITS

KIT Nr.	KIT 1	KIT 2	KIT 3	KIT 6	KIT 7	KIT 10	KIT 28	KIT 69	KIT 71
Posizioni include Positions included	4-5 6-7 8 (11)	16	41	31 - 34 36 - 37 38	45	42 - 43	42 - 43 44 - 45 46 - 47 56	44 - 47 56	46 - 47
Nr. Pcs.	6	3	2	3	6	3	1	3	3

POS	COD.	DESCRIZIONE – DESCRIPTION - KIT	NR
1	47.1217.41	Testata Ø 20	1
2	99.3206.00	Vite M8x70 UNI 5737	8
3	96.7020.00	Rosetta Ø 8 UNI 1736	8
4	90.3841.00	OR Ø 17.13x2.62 (3068)	1
5	36.2003.66	Sede valvola	1
6	36.2001.76	Valvola	1
7	94.7376.00	Molla Ø 9.4x14.8	1
8	36.2002.51	Guida valvola	1
9	90.3847.00	OR Ø 20.24x2.62 (3081)	6
10	98.2228.00	Tappo M24x1.5x17.5 – HP	6
11	36.7032.01	Gruppo valvola	1
12	99.3039.00	Vite M8x16 UNI 5931	8
13	47.1511.22	Coperchio cuscinetto	1
14	90.3913.00	OR Ø 67.95x2.62 (3325)	2
15	91.8378.00	Cuscinetto a rulli 32206	2
16	90.1625.00	Anello rad. Ø 22x32x2.5	2
17	90.9126.00	Boccola Ø 22x25x30	3
18	47.0100.22	Carter	1
19	98.2106.00	Tappo carico olio G 3/8"	1
20	90.3922.00	OR Ø 133.02x2.62 (3525)	1
21	47.0218.35 47.0217.35	Albero – WS251 Albero – WS252	1 1
22	90.0557.00	Anello di fermo	6

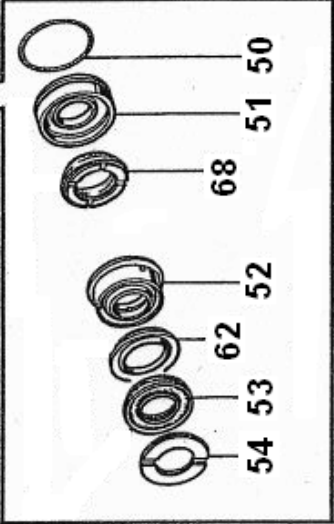
POS	COD.	DESCRIZIONE – DESCRIPTION - KIT	NR
23	91.4890.00	Linguetta 8x7x35 UNI 6604	1
24	97.7380.00	Spinotto Ø 13x35	3
25	47.0503..56	Guida pistone	3
26	47.0300.01	Biella completa	3
27	99.1912.00	Vite M6x30 UNI 5931	5
28	47.1601.22	Coperchio carter	1
29	97.5968.00	Spia livello olio G 3/4"	1
30	98.2041.00	Tappo G 1/4"x9	1
31	90.3585.00	OR Ø 10.82x1.78 (2043)	6
32	99.3099.00	Vite M8x35 UNI 5931	6
34	96.7286.00	Rosetta Ø 14x28x0.5	6
35	47.0404.09	Pistone Ø 20	3
36	90.5067.00	Anello antiest. Ø 11x14x1.5	6
37	96.7280.00	Rosetta Ø 14x18x0.5	6
38	47.2195.66	Vite fissaggio pistone	6
39	47.1510.22	Coperchio cuscinetto	1
40	97.5678.00	Spessore	2
41	90.1648.00	Anello rad. Ø 30x55x7	3
42	90.3616.00	OR Ø 34.65x1.78 (2137)	10-28
43	47.0805.70	Anello di fondo Ø 20	10-28
44	90.2705.00	An. tenuta Ø20x35x7.5/4.5 LP	28-69
45	47.1000.51	Anello di testa Ø 20	7-28

POS	COD.	DESCRIZIONE – DESCRIPTION - KIT	NR
46	47.2169.70	Anello intermedio Ø 20	28-71
47	90.2704.00	Anello RESTOP Ø20x35x5.5/2	28-69-71
48	47.2000.74	Piedino	2
49	99.3644.00	Vite M10x18 UNI 5931	4
50	96.7106.00	Rosetta Ø 10 DIN 7980	4
51	98.2176.00	Tappo G 1/2"x10	1
52	96.7514.00	Rosetta Ø 21.5x27x1.5	1
53	98.2100.00	Tappo G 3/8"x13	1
54	96.7380.00	Rosetta Ø 17.5x23x1.5	1
55	90.2710.00	Anello tenuta Ø 20x35x8.7 LP	28-69



SERIE 48

\* Fissare con Loctite 542 col. ROSSO  
 \* Affix with Loctite 542 col. RED  
 \* Fixer avec de la Loctite 542 couleur ROUGE  
 \* Mit Loctite 542 ROT befestigen  
 \* Fijar com Loctite 542 col. ROJO  
 \* Fixar com Loctite 542 cor. VERMELHA





# WS135 – W203 TS1351 – T2031

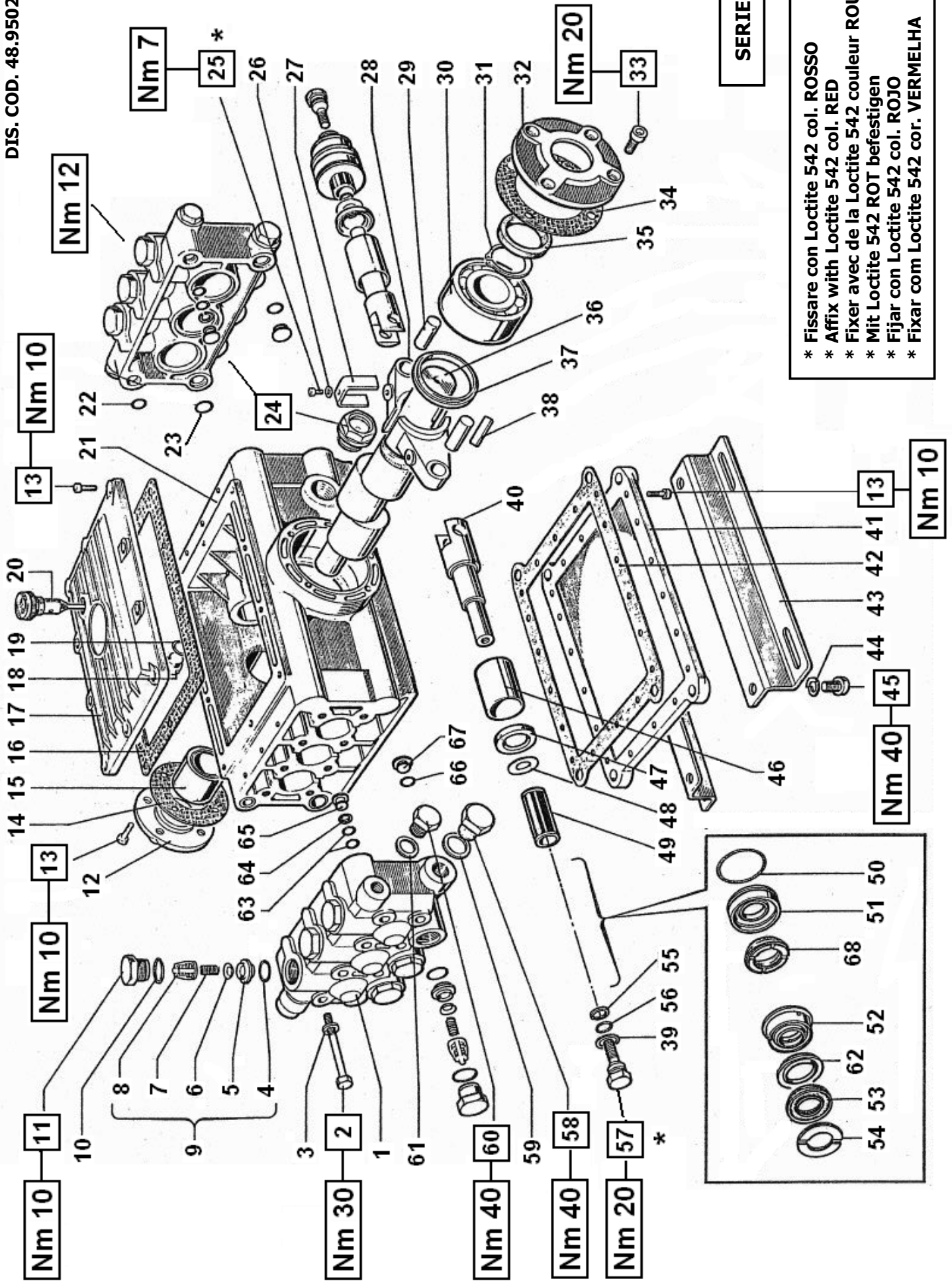
## KIT RICAMBI – SPARE KITS

KIT Nr.	KIT 1	KIT 4	KIT 6	KIT 24	KIT 7	KIT 10	KIT 28	KIT 69	KIT 71
Posizioni include Positions included	4 - 5 6 - 7 8 (9)	10 - 11	39 - 48 55 - 56 57	47	54	50 - 51	50 - 51 52 - 53 54 - 62 68	53 - 62 68	52 - 62
Nr. Pcs.	6	6	3	3	6	3	1	3	3

POS	COD.	DESCRIZIONE – DESCRIPTION - KIT	NR
1	48.1202.41	Testata pompa	2
2	99.3206.00	Vite M8x70 UNI 5737	16
3	96.7020.00	Rosetta Ø 8,4x15x1.5	16
4	90.3841.00	OR Ø 17.13x2.62 (3068)	1
5	36.2003.66	Sede valvola	1
6	36.2001.76	Valvola	1
7	94.7376.00	Molla Ø 9.4x14.8	1
8	36.2002.51	Guida valvola	1
9	36.7032.01	Gruppo valvola aspiraz./mandata	1
10	90.3847.00	OR Ø 20.51x2.62 90 Sh. (3081)	4
11	98.2220.00	Tappo M24x2x16	4
12	48.1601.22	Coperchio laterale carter	1
13	99.1837.00	Vite M6x14 UNI 5931	32
14	48.2119.84	Guarnizione coperchio laterale	1
15	91.8370.00	Cuscinetto a rulli NA6906	1
16	48.2118.84	Guarnizione coperchio superiore	1
17	48.2114.22	Coperchio superiore carter	1
18	98.2041.00	Tappo G 1/4"x9	1
19	90.3585.00	OR Ø 10.82x1.78 (2043)	1
20	98.2097.00	Tappo con asta G 3/8"x97	1
21	48.0104.02	Carter pompa	1
22	90.3827.00	OR Ø 11.91x2.62 (115)	2
23	90.3839.00	OR Ø 15.88x2.62 (121)	2
24	97.5968.00	Spia livello olio G 3/4"	1
25	99.1537.00	Vite M5x12 UNI 5931	6

POS	COD.	DESCRIZIONE – DESCRIPTION - KIT	NR
26	96.6910.00	Rosetta Ø 5.3x9x0.6	6
27	48.2170.74	Forcella bielle	6
28	48.0301.22	Coppia di bielle	3
29	97.7374.00	Spinotto Ø 13x29.5	6
30	91.8475.00	Cuscinetto a sfere 3207	1
31	90.0695.00	Anello seeger Ø 35 UNI 7435	1
32	48.1500.22	Coperchio laterale carter lato PTO	1
33	99.3039.00	Vite M8x16 UNI 5931	4
34	48.2112.84	Guarnizione coperchio laterale lato PTO	1
35	90.1670.00	Anello rad. Ø 35x52x7	1
36	48.0202.35 48.0201.35	Albero eccentrico C.16 – WS135 – TS1351 Albero eccentrico C.16 – W203 – T2031	1 1
37	48.2123.89	Anello bielle	6
38	91.4975.00	Linguetta 10x8x50 UNI 6604	1
39	96.7280.00	Rosetta Ø 14x18.5x0.5	6
40	48.0501.54	Guida pistone	6
41	48.2116.22	Coperchio inferiore carter	1
42	48.2117.84	Guarnizione coperchio inferiore carter	1
43	48.2000.74	Piedino pompa	2
44	96.7106.00	Rosetta Ø 10.2 DIN 7980	4
45	99.3599.00	Vite M10x35 UNI 5931	4
46	90.9150.00	Boccola Ø 30x34x40	6
47	90.1627.00	Anello rad. Ø 22x35x8	24
48	96.7286.00	Rosetta Ø 14x28x0.5	6
49	47.0404.09	Pistone Ø 20x50	6


POS	COD.	DESCRIZIONE – DESCRIPTION - KIT	NR
50	90.3616.00	OR Ø 34.65x1.78 (2137)	10-28
51	47.0805.70	Anello di fondo Ø 20	10-28
52	47.2169.70	Anello intermedio Ø 20	28-71
53	90.2705.00	Anello ten. alt. Ø 20x35x7.5/4.5 HP 28-69	6
54	47.1000.51	Anello di testa Ø 20	7-28
55	90.5067.00	Anello antiest. Ø 11x14x1.5	6
56	90.3585.00	OR Ø 10.82x1.78 (2043)	6
57	47.2195.66	Vite fissaggio pistone	6
58	98.2176.00	Tappo G 1/2"x10	4
59	96.7514.00	Rosetta Ø 21.5x27x1.5	4
60	98.2100.00	Tappo G 3/8"x13	3
61	96.7380.00	Rosetta Ø 17.5x23x1.5	3
62	90.2704.00	Anello RESTOP Ø 20x35x5.5/2 28-69-71	6
63	90.3580.00	OR Ø 8.73x1.78 (108)	4
64	90.5037.00	Anello antiest. Ø 9x12x1.5	2
65	48.2204.70	Tappo interno Ø 12	2
66	90.3825.00	OR Ø 17.78x2.62 (3043)	2
67	48.2203.70	Tappo interno Ø 16	2
68	90.2710.00	Anello ten. alt. Ø 20x35x8.7 LP 28-69	6




**SERIE 48**

\* Fissare con Loctite 542 col. ROSSO  
 \* Affix with Loctite 542 col. RED  
 \* Fixer avec de la Loctite 542 couleur ROUGE  
 \* Mit Loctite 542 ROT befestigen  
 \* Fijar con Loctite 542 col. ROJO  
 \* Fixar com Loctite 542 cor. VERMELHA

**KIT RICAMBI – SPARE KITS**



# W163 T1631

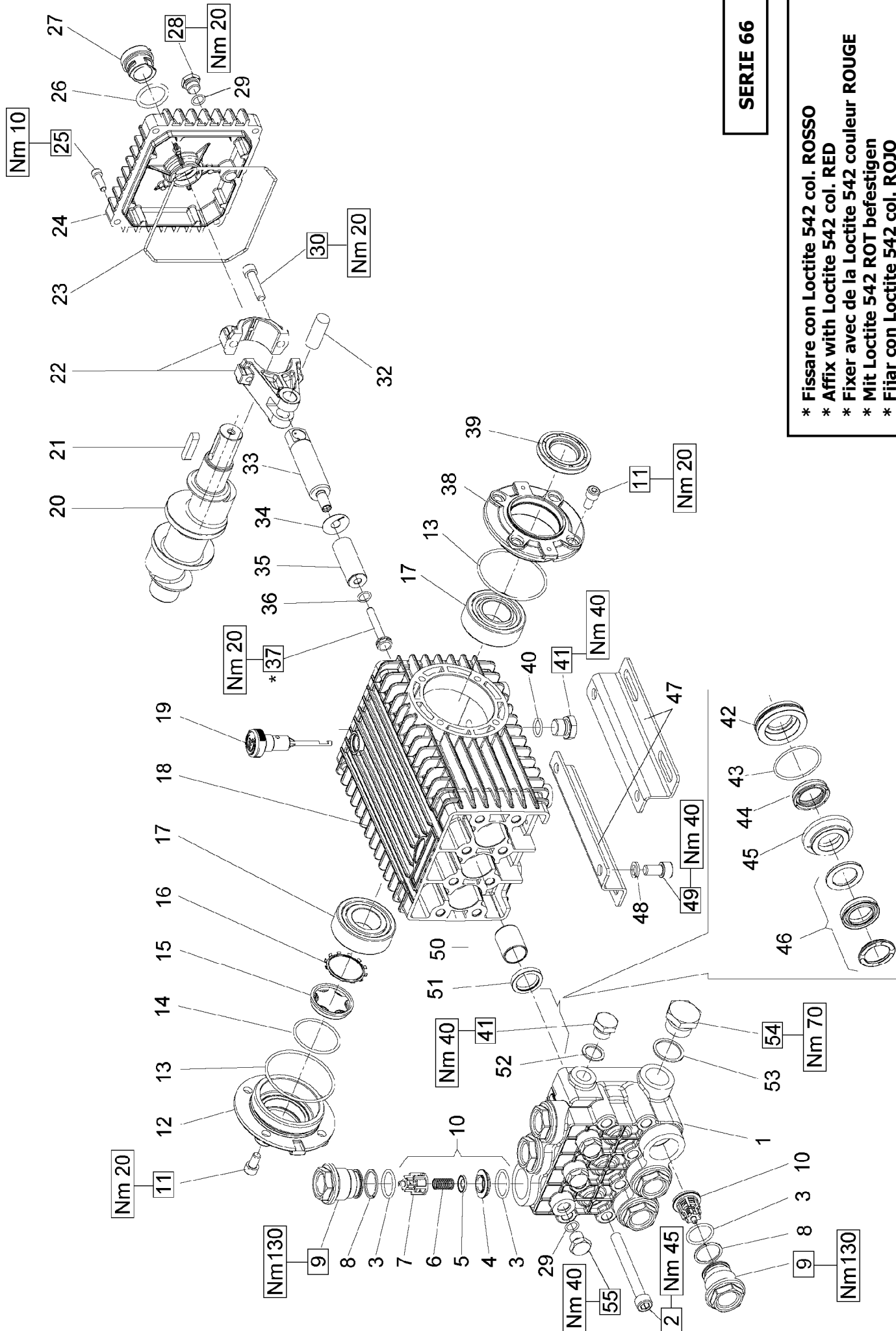


KIT Nr.	KIT 1	KIT 4	KIT 6	KIT 24	KIT 11	KIT 14	KIT 29	KIT 148	KIT 149
Posizioni include Positions included	4 - 5 6 - 7 8 (9)	10 - 11	39 - 48 55 - 56 57	47	54	50 - 51	50 - 51 52 - 53 54 - 62 68	53 - 62 68	52 - 62
Nr. Pcs.	6	6	3	3	6	3	1	3	3

POS	COD.	DESCRIZIONE - DESCRIPTION - KIT	NR
26	96.6910.00	Rosetta Ø 5.3x9x0.6	6
27	48.2170.74	Forcella bielle	6
28	48.0301.22	Coppia di bielle	3
29	97.7374.00	Spinotto Ø 13x29.5	6
30	91.8475.00	Cuscinetto a sfere 3207	1
31	90.0695.00	Anello seeger Ø 35 UNI 7435	1
32	48.1500.22	Coperchio laterale carter lato PTO	1
33	99.3039.00	Vite M8x16 UNI 5931	4
34	48.2112.84	Guarnizione coperchio laterale lato PTO	1
35	90.1670.00	Anello rad. Ø 35x52x7	1
36	48.0201.35	Albero eccentrico C.16	1
37	48.2123.89	Anello bielle	6
38	91.4975.00	Linguetta 10x8x50 UNI 6604	1
39	96.7280.00	Rosetta Ø 14x18.5x0.5	6
40	48.0501.54	Guida pistone	6
41	48.2116.22	Coperchio inferiore carter	1
42	48.2117.84	Guarnizione coperchio inferiore carter	1
43	48.2000.74	Piedino pompa	2
44	96.7106.00	Rosetta Ø 10.2 DIN 7980	4
45	99.3699.00	Vite M10x35 UNI 5931	4
46	90.9150.00	Boccola Ø 30x34x40	6
47	90.1627.00	Anello rad. Ø 22x35x8	24
48	96.7286.00	Rosetta Ø 14x28x0.5	6
49	47.0405.09	Pistone Ø 22x50	6
50	90.3616.00	OR Ø 34.65x1.78 (2137)	14-29

POS	COD.	DESCRIZIONE - DESCRIPTION - KIT	NR
51	47.0806.70	Anello di fondo Ø 22	14-29
52	47.2170.70	Anello intermedio Ø 22	29-149
53	90.2725.00	Anello ten. alt. Ø 22x35x7/4.5 HP 29-148	6
54	46.1000.51	Anello di testa Ø 22	11-29
55	90.5067.00	Anello antiest. Ø 11x14x1.5	6
56	90.3585.00	OR Ø 10.82x1.78 (2043)	6
57	47.2195.66	Vite fissaggio pistone	6
58	98.2176.00	Tappo G 1/2"x10	4
59	96.7514.00	Rosetta Ø 21.5x27x1.5	4
60	98.2100.00	Tappo G 3/8"x13	3
61	96.7380.00	Rosetta Ø 17.5x23x1.5	3
62	90.2730.00	Anello RSETOP Ø 22x35x5.5/2 29-148-149	6
63	90.3580.00	OR Ø 8.73x1.78 (108)	4
64	90.5037.00	Anello antiest. Ø 9x12x1.5	2
65	48.2204.70	Tappo interno Ø 12	2
66	90.3825.00	OR Ø 17.78x2.62 (3043)	2
67	48.2203.70	Tappo interno Ø 16	2
68	90.2728.00	Anello ten. alt. Ø 22x35x8.8 LP 29-148	6

POS	COD.	DESCRIZIONE - DESCRIPTION - KIT	NR
1	48.1202.41	Testata pompa	2
2	99.3206.00	Vite M8x70 UNI 5737	16
3	96.7020.00	Rosetta Ø 8.4x15x1.5	16
4	90.3841.00	OR Ø 17.13x2.62 (3068)	1
5	36.2003.66	Sede valvola	1
6	36.2001.76	Valvola	1
7	94.7376.00	Molla Ø 9.4x14.8	1
8	36.2002.51	Guida valvola	1
9	36.7032.01	Gruppo valvola aspiraz./mandata	1
10	90.3847.00	OR Ø 20.51x2.62 90 Sh. (3081)	4
11	98.2220.00	Tappo M24x2x16	4
12	48.1601.22	Coperchio laterale carter	1
13	99.1837.00	Vite M6x14 UNI 5931	32
14	48.2119.84	Guarnizione coperchio laterale	1
15	91.8370.00	Cuscinetto a rulli NA6906	1
16	48.2118.84	Guarnizione coperchio superiore	1
17	48.2114.22	Coperchio superiore carter	1
18	98.2041.00	Tappo G 1/4"x9	1
19	90.3585.00	OR Ø 10.82x1.78 (2043)	1
20	98.2097.00	Tappo con asta G 3/8"x97	1
21	48.0104.02	Carter pompa	1
22	90.3827.00	OR Ø 11.91x2.62 (115)	2
23	90.3839.00	OR Ø 15.88x2.62 (121)	2
24	97.5968.00	Spia livello olio G 3/4"	1
25	99.1537.00	Vite M5x12 UNI 5931	6



**SERIE 66**

\* Fissare con Loctite 542 col. ROSSO  
 \* Affix with Loctite 542 col. RED  
 \* Fixer avec de la Loctite 542 couleur ROUGE  
 \* Mit Loctite 542 ROT befestigen  
 \* Fijar con Loctite 542 col. ROJO  
 \* Fixar com Loctite 542 cor. VERMELHA





**W3021 – W2525 – W3025**  
**W2030 – W2035 – W2141**  
**T3025 – T2530 – T2830**  
**T2535 – T2040 – T1750**



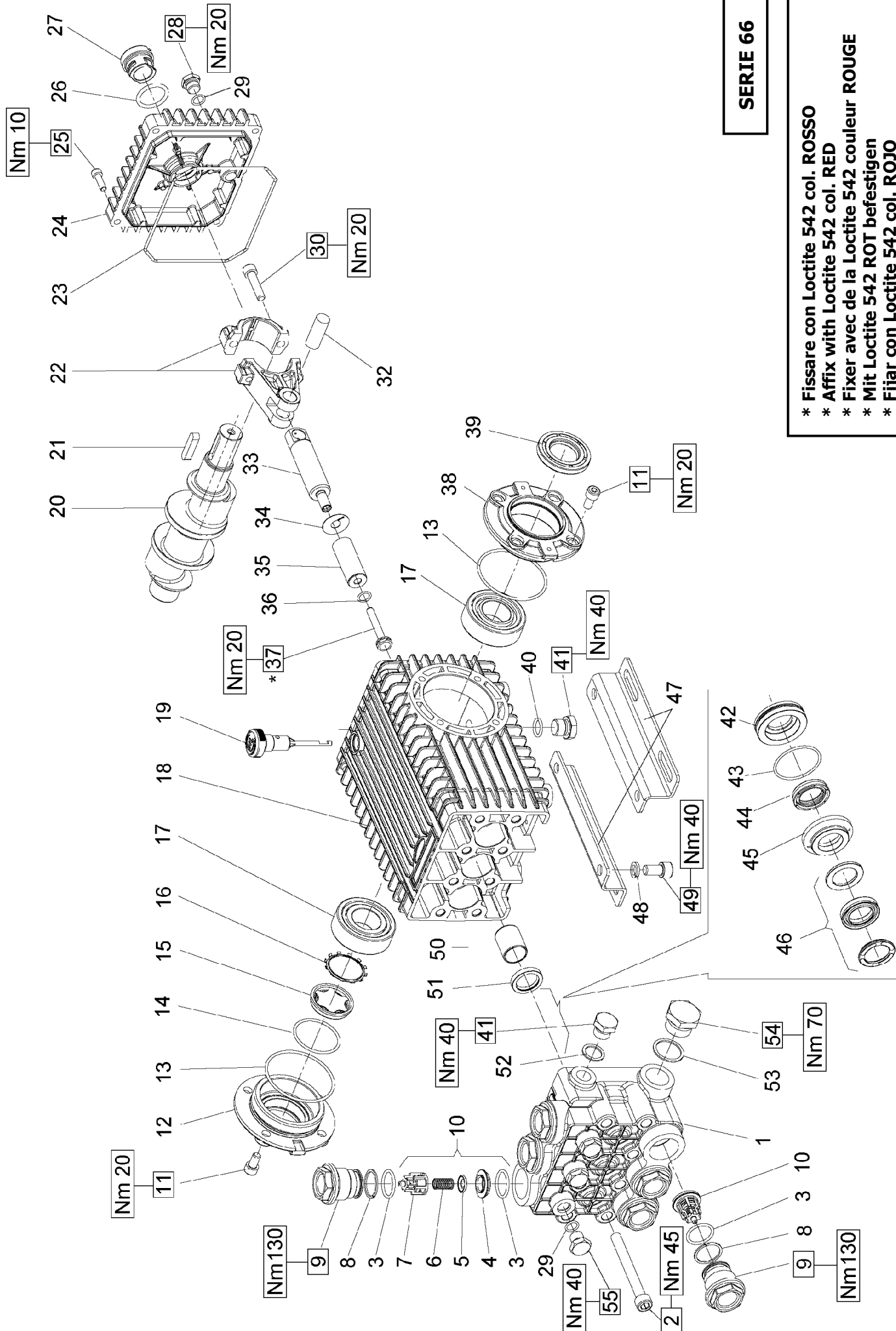
<b>PISTONE - PISTON Ø 18</b>		<b>PISTONE - PISTON Ø 20</b>	
<b>W3021 - T3025</b>	<b>W2525 – W3025</b>	<b>W2530 – T2535 - T2830</b>	
<b>PISTONE - PISTON Ø 22</b>	<b>PISTONE - PISTON Ø 24</b>		
<b>W2030 – W2035 - T2040</b>	<b>W2141 - T1750</b>		

POS	COD.	DESCRIZIONE – DESCRIPTION - KIT	NR
1	66.1245.41	Testata Ø 18	1
	66.1200.41	Testata Ø 20	1
	66.1201.41	Testata Ø 22	1
	66.1202.41	Testata Ø 24	1
2	99.3801.00	Vite M10x90 UNI 5931	8
3	90.3857.00	OR Ø 23.81x2.62 (132)	169
4	36.2033.66	Sede valvola sferica	169
5	36.2034.76	Valvola	169
6	94.7388.00	Molla Ø 10x18.5	169
7	36.2035.51	Guida valvola	169
8	90.5165.00	Anello antiest. Ø 24.7x29x1.5	6
9	66.1300.41	Tappo M32x1.5x29.5	6
10	36.7127.01	Gruppo valvola aspiraz. / mand.	169
11	99.3039.00	Vite M8x16 UNI 5931	8
12	47.1512.22	Coperchio cuscinetto lato spia	1
13	90.3913.00	OR Ø 67.95x2.62 (3268)	2
14	90.3877.00	OR Ø 39.34x2.62 (3156)	1
15	70.2118.01	Spia livello olio	1
16	90.0756.00	Anello seeger Ø 45	1

## KIT RICAMBI – SPARE KITS

KIT Nr.	KIT 2	KIT 3	KIT 169	PISTONE - PISTON Ø18		PISTONE - PISTON Ø20		PISTONE - PISTON Ø22		PISTONE - PISTON Ø24	
				KIT 180	KIT 176	KIT 170	KIT 171	KIT 172	KIT 173	KIT 181	KIT 182
Posizioni include Positions included	51	39	3-4 4-5 6 (10)	42-43 44-45 46	44-46	44-46	42-43 44-45 46	44-46	42-43 44-45 46	44-46	42-43 44-45 46
Nr. Pcs.	3	2	6	3	1	3	1	3	1	3	1

POS	COD.	DESCRIZIONE – DESCRIPTION - KIT	NR	POS	COD.	DESCRIZIONE – DESCRIPTION - KIT	NR
17	91.8380.00	Cuscinetto a rulli NJ 2206 EC	2	39	90.1648.00	Anello rad. Ø 30x55x7	3
18	66.0100.22	Carter pompa	1	40	90.3833.00	OR Ø 13.95x2.62 (3056)	1
19	98.2106.00	Tappo carico olio G 3/8"	1	41	98.2100.00	Tappo G 3/8"x13	2
20	66.0200.35	Albero – W2525-W2030-W3021-W3025 T2530-T3025-T2830	1	42	66.0803.70	Anello di fondo Ø 18	176
	66.0204.35	Albero – W2035-W2141-T2535-T2040-T1750	1		66.0800.70	Anello di fondo Ø 20	171
21	91.4892.00	Linguetta 9x7x35 UNI 6604	1		66.0801.70	Anello di fondo Ø 22	173
22	66.0300.01	Biella completa	3		66.0804.70	Anello di fondo Ø 24	182
23	90.3922.00	OR Ø 133.02x2.62 (3525)	1	43	90.3616.00	OR Ø34.65x1.78 (2137)171-173-176-182	3
24	66.1600.22	Coperchio posteriore	1	44	90.2652.00	Anello tenuta Ø18x26x6.5 LP	180-176
25	99.1884.00	Vite M6x20 UNI 5931	4		90.2690.00	Anello tenuta Ø20x28x6.5 LP	170-171
26	90.4051.00	OR Ø 26.58x3.53 (4106)	1		90.2715.00	Anello tenuta Ø22x30x6.5 LP	172-173
27	63.2100.51	Spia livello olio	1		90.2738.00	Anello tenuta Ø24x32x6.5 LP	181-182
28	98.2041.00	Tappo G 1/4"x9	1	45	66.2163.70	Anello intermedio Ø 18	176
29	90.3585.00	OR Ø 10.82x1.78 (2043)	4		66.2160.70	Anello intermedio Ø 20	171
30	99.3099.00	Vite M8x35 UNI 5931	6		66.2161.70	Anello intermedio Ø 22	173
32	97.7405.00	Spinotto Ø 14x39	3		66.2164.70	Anello intermedio Ø 24	182
33	66.0500.66	Guida pistone	3	46	90.2655.00	Anello tenuta Ø18x28x10 HP	180-176
34	96.7101.00	Rosetta Ø 10x28x0.5	3		90.2692.00	Anello tenuta Ø20x30x10 HP	170-171
35	66.0403.09	Pistone Ø 18x54	3		90.2717.00	Anello tenuta Ø22x32x10 HP	172-173
	66.0400.09	Pistone Ø 20x54	3		90.2741.00	Anello tenuta Ø24x34x10 HP	181-182
	66.0401.09	Pistone Ø 22x54	3	47	47.2000.74	Piedino fissaggio pompa	2
	66.0404.09	Pistone Ø 24x54	3	48	96.7106.00	Rosetta Ø 10.2 DIN 7980	4
36	90.3584.00	OR Ø 10.82x1.78 (2043) - 90 Sh.	3	49	99.3644.00	Vite M10x18 UNI 5931	4
37	66.2195.66	Vite fissaggio pistone	3	50	90.9126.00	Boccola Ø 22x25x30	3
38	47.1510.22	Coperchio cuscinetto aperto	1	51	90.1625.00	Anello rad. Ø 22x32x5.5	2
				52	96.7380.00	Rosetta Ø 17.5x23x1.5	1
				53	96.7700.00	Rosetta Ø 26.5x32x1.5	1
				54	98.2268.00	Tappo G 3/4"x16	1
				55	98.2043.00	Tappo G 1/4"x13	3



**SERIE 66**

- \* Fissare con Loctite 542 col. ROSSO
- \* Affix with Loctite 542 col. RED
- \* Fixer avec de la Loctite 542 couleur ROUGE
- \* Mit Loctite 542 ROT befestigen
- \* Fijar con Loctite 542 col. ROJO
- \* Fixar com Loctite 542 cor. VERMELHA

**DIS. COD. 66.9500.00**

# W1550



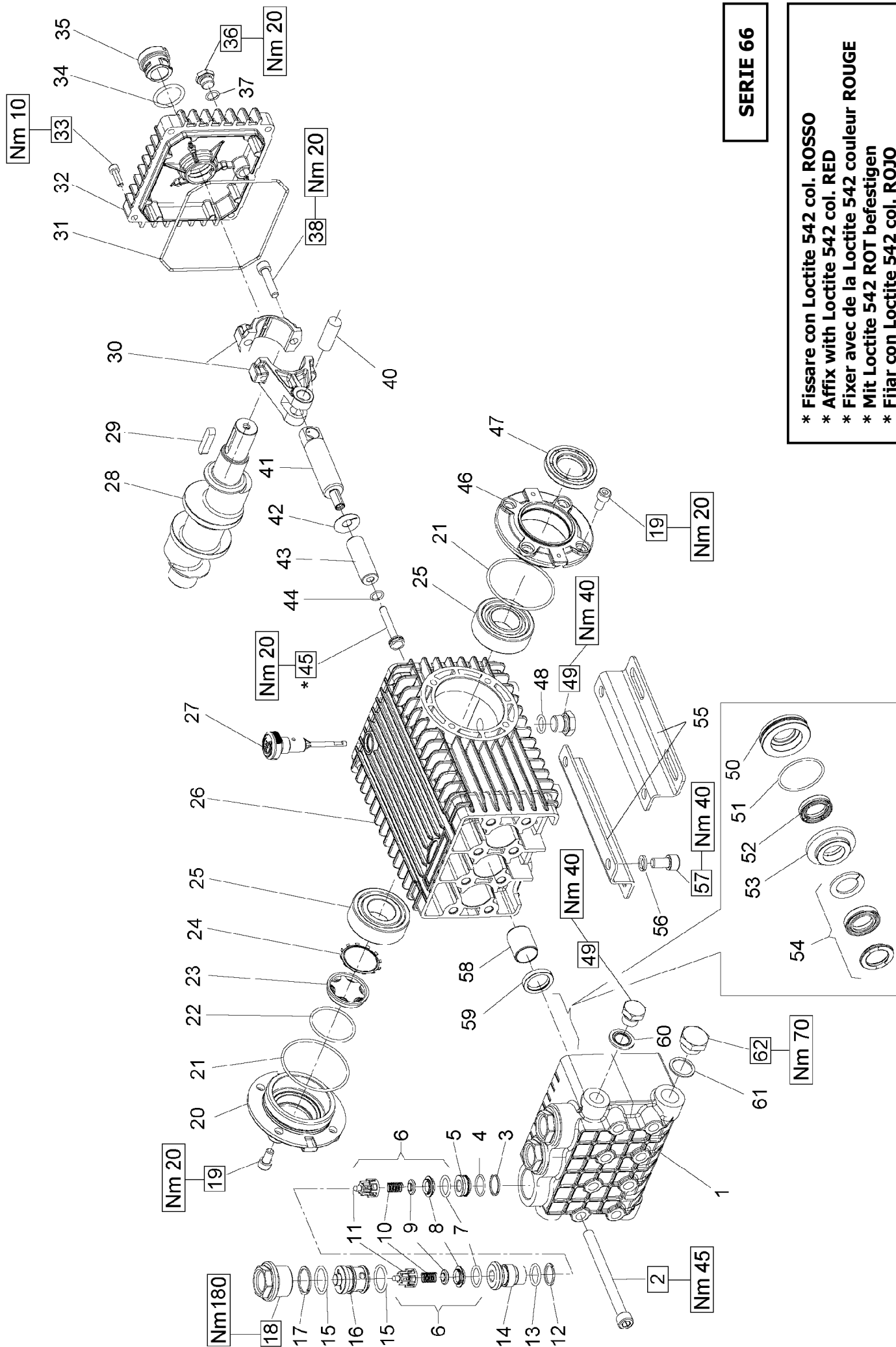
## KIT RICAMBI – SPARE KITS

KIT Nr.	KIT 2	KIT 3	KIT 169	KIT 248	KIT 247
Posizioni include Positions included	51	39	3-4 5-6 7 (10)	44-46	42-43 44-45 46
Nr. Pcs.	3	2	6	3	1

POS	COD.	DESCRIZIONE – DESCRIPTION - KIT	NR
1	66.1246.41	Testata Ø 28	1
2	99.3801.00	Vite M10x90 UNI 5931	8
3	90.3857.00	OR Ø 23.81x2.62 (132)	169
4	36.2033.66	Sede valvola	169
5	36.2034.76	Valvola sferica	169
6	94.7388.00	Molla Ø 10x18.5	169
7	36.2035.51	Guida valvola	169
8	90.5165.00	Anello antiest. Ø 24.7x29x1.5	6
9	66.1300.41	Tappo M32x1.5x29.5	6
10	36.7127.01	Gruppo valvola aspiraz. / mand.	169
11	99.3039.00	Vite M8x16 UNI 5931	8
12	47.1512.22	Coperchio cuscinetto lato spia	1
13	90.3913.00	OR Ø 67.95x2.62 (3268)	2
14	90.3877.00	OR Ø 39.34x2.62 (3156)	1
15	70.2118.01	Spia livello olio	1
16	90.0756.00	Anello seeger Ø 45	1
17	91.8380.00	Cuscinetto a rulli NJ 2206 EC	2
18	66.0100.22	Carter pompa	1
19	98.2106.00	Tappo carico olio G 3/8"	1
20	66.0200.35	Albero	1
21	91.4892.00	Linguetta 9x7x35 UNI 6604	1
22	66.0300.01	Biella completa	3

POS	COD.	DESCRIZIONE – DESCRIPTION - KIT	NR
23	90.3922.00	OR Ø 133.02x2.62 (3525)	1
24	66.1600.22	Coperchio posteriore	1
25	99.1884.00	Vite M6x20 UNI 5931	4
26	90.4051.00	OR Ø 26.58x3.53 (4106)	1
27	63.2100.51	Spia livello olio	1
28	98.2041.00	Tappo G 1/4"x9	1
29	90.3585.00	OR Ø 10.82x1.78 (2043)	4
30	99.3099.00	Vite M8x35 UNI 5931	6
32	97.7405.00	Spinotto Ø 14x39	3
33	66.0500.66	Guida pistone	3
34	96.7101.00	Rosetta Ø 10x28x0.5	3
35	66.0410.09	Pistone Ø 28x54	3
36	90.3584.00	OR Ø 10.82x1.78 (2043) - 90 Sh.	3
37	66.2195.66	Vite fissaggio pistone	3
38	47.1510.22	Coperchio cuscinetto aperto	1
39	90.1648.00	Anello rad. Ø 30x55x7	3
40	90.3833.00	OR Ø 13.95x2.62 (3056)	1
41	98.2100.00	Tappo G 3/8"x13	2
42	66.0825.70	Anello di fondo Ø 28	247
43	90.3620.00	OR Ø 37.82x1.78 (2150)	247
44	90.2753.00	Anello tenuta Ø28x36x6.5 LP	247-248
45	66.2200.70	Anello intermedio Ø 28	247

POS	COD.	DESCRIZIONE – DESCRIPTION - KIT	NR
46	90.2754.00	Anello tenuta Ø28x38x10 HP	247-248
47	47.2000.74	Piedino fissaggio pompa	2
48	96.7106.00	Rosetta Ø 10.2 DIN 7980	4
49	99.3644.00	Vite M10x18 UNI 5931	4
50	90.9126.00	Boccola Ø 22x25x30	3
51	90.1625.00	Anello rad. Ø 22x32x5.5	2
52	96.7380.00	Rosetta Ø 17.5x23x1.5	1
53	96.7700.00	Rosetta Ø 26.5x32x1.5	1
54	98.2268.00	Tappo G 3/4"x16	1
55	98.2043.00	Tappo G 1/4"x13	3



**SERIE 66**

- \* Fissare con Loctite 542 col. ROSSO
- \* Affix with Loctite 542 col. RED
- \* Fixer avec de la Loctite 542 couleur ROUGE
- \* Mit Loctite 542 ROT befestigen
- \* Fijar con Loctite 542 col. ROJO
- \* Fixar com Loctite 542 cor. VERMELHA



**W5015 – W4518 – W4015 – W4018 – W3521  
W3523 - T4018 – W5018 – T5018**

PISTONE – PISTON Ø16		PISTONE – PISTON Ø18	
<b>OTTONE BRASS</b>	<b>W5015 – W4518 W4015 - W4018 T4018</b>	<b>W3521 – W3523</b>	
<b>NICKEL</b>	<b>W5018 – T5018</b>		

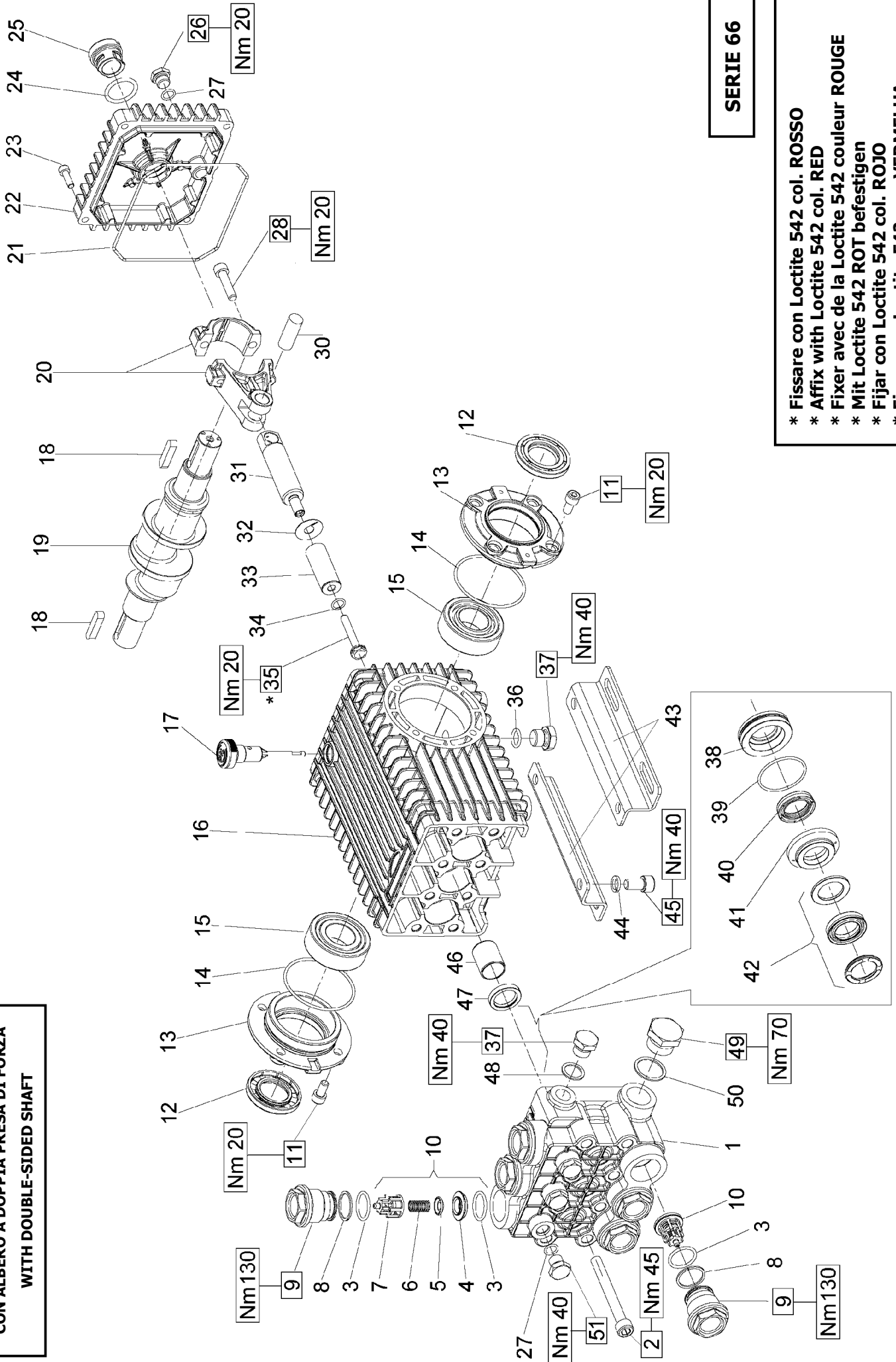
POS	COD.	DESCRIZIONE – DESCRIPTION – KIT	NR
1	66.1210.41	Testata Ø 16	1
	66.1211.41	Testata Ø 18	1
	66.1240.41	Testata Ø 16 – W5015 – W4518	1
	66.1247.41	Testata Ø 16 – NICKEL	1
2	99.3820.00	Vite M10x120 UNI 5931	8
3	90.5118.00	Anello antiestr. Ø 19.5x22x1.5	3
4	90.3596.00	OR Ø 18.77x1.78 (2075)	3
5	66.2102.70	Distanziale	3
6	36.7121.01	Gruppo valvola aspiraz. / mand.	150
7	90.3841.00	OR Ø 17.13x2.62 (3068)	150
8	36.2003.66	Sede valvola	150
9	36.2032.66	Valvola sferica	150
10	94.7376.00	Molla Ø 9.4x14.8	150
11	36.2025.51	Guida valvola	150
12	90.5115.00	Anello antiest. Ø 18.7x23x1.5	3
13	90.3843.00	OR Ø 17.86x2.62 (123)	3
14	66.2101.66	Bussola	3
15	90.3857.00	OR Ø 23.81x2.62 (132)	6
16	66.2100.70	Tappo Ø 29	3
17	90.5165.00	Anello antiest. Ø 24.7x29x1.5	3
18	66.1301.41	Tappo valvole M32x1.5x18.5	3
	66.1310.41	Tappo valvole M32x1.5x18.5 - NICKEL	3

**KIT RICAMBI – SPARE KITS**

KIT Nr.	KIT 2	KIT 3	KIT 150	PISTONE - PISTON Ø16			PISTONE - PISTON Ø18		
				KIT 174	KIT 175	KIT 180	KIT 176	KIT 180	KIT 176
Posizioni include Positions included	59	47	6 - 7 8 - 9 10 (11)	52 - 54	50 - 51 52 - 53 54	52 - 54	50 - 51 52 - 53 54	52 - 54	50 - 51 52 - 53 54
Nr. Pcs.	3	2	6	3	1	3	1	3	1

POS	COD.	DESCRIZIONE – DESCRIPTION – KIT	NR	POS	COD.	DESCRIZIONE – DESCRIPTION – KIT	NR
19	99.3039.00	Vite M8x16 UNI 5931	8	42	96.7101.00	Rosetta Ø 10x28x0.5	3
20	47.1512.22	Coperchio cuscinetto lato spia	1	43	66.0402.09 66.0403.09	Pistone Ø 16x54 Pistone Ø 18x54	3 3
21	90.3913.00	OR Ø 67.95x2.62 (3268)	2	44	90.3584.00	OR Ø 10.82x1.78 (2043) – 90 Sh.	3
22	90.3877.00	OR Ø 39.34x2.62 (3156)	1	45	66.2195.66	Vite fissaggio pistone	3
23	70.2118.01	Spia livello olio	1	46	47.1510.22	Coperchio cuscinetto aperto	1
24	90.0756.00	Anello seeger Ø 45	1	47	90.1648.00	Anello rad. Ø 30x56x7	3
25	91.8380.00	Cuscinetto a rulli NJ 2206 EC	2	48	90.3833.00	OR Ø 13.95x2.62 (3056)	1
26	66.0100.22	Carter pompa	1	49	98.2100.00	Tappo G 3/8"x13	2
27	98.2106.00	Tappo carico olio	1	50	66.0802.70 66.0803.70	Anello di fondo Ø 16 Anello di fondo Ø 18	175 176
28	66.0200.35 66.0204.35	Albero – W5015-W4015-W3521-T4018-T5018 Albero – W4518-W4018-W3523-W5018	1 1	51	90.3616.00	OR Ø 34.65x1.78 (2137)	175-176
29	91.4892.00	Linguetta 9x7x35 UNI 6604	1	52	90.2631.00 90.2652.00	Anello tenuta Ø 16x24x6.5 LP Anello tenuta Ø 18x26x6.5 LP	174-175 180-176
30	66.0300.01	Biella completa	3	53	66.2162.70 66.2163.70	Anello intermedio Ø 16 Anello intermedio Ø 18	175 176
31	90.3922.00	OR Ø 133.02x2.62 (3525)	1	54	90.2634.00 90.2655.00	Anello tenuta Ø 16x26x9.5 HP Anello tenuta Ø 18x28x10 HP	174-175 180-176
32	66.1600.22	Coperchio posteriore	1	55	47.2000.74	Piedino fissaggio pompa	2
33	99.1884.00	Vite M6x20 UNI 5931	4	56	96.7106.00	Rosetta Ø 10.2 DIN 7980	4
34	90.4051.00	OR Ø 26.58x3.53 (4106)	1	57	99.3644.00	Vite M10x18 UNI 5931	4
35	63.2100.51	Spia livello olio	1	58	90.9126.00	Boccola Ø 22x25x30	3
36	98.2041.00	Tappo G 1/4"x9	1	59	90.1625.00	Anello rad. Ø 22x32x5.5	2
37	90.3585.00	OR Ø 10.82x1.78 (2043)	1	60	93.1858.00	Rondella di tenuta G 3/8" Ø 15x27x2	1
38	99.3099.00	Vite M8x35 UNI 5931	6	61	96.7514.00	Rosetta Ø 21.5x27x1.5	1
40	97.7405.00	Spinotto Ø 14x39	3	62	98.2176.00	Tappo G 1/2"x10	1
41	66.0500.66	Guida pistone	3				

**CON ALBERO A DOPPIA PRESA DI FORZA  
WITH DOUBLE-SIDED SHAFT**



**SERIE 66**

- \* Fissare con Loctite 542 col. ROSSO
- \* Affix with Loctite 542 col. RED
- \* Fixer avec de la Loctite 542 couleur ROUGE
- \* Mit Loctite 542 ROT befestigen
- \* Fijar con Loctite 542 col. ROJO
- \* Fixar com Loctite 542 cor. VERMELHA



**W3021 – W2525 – W3025 – W2030**  
**W1550 - T3025 – T2530 – T2830**

<b>PISTONE - PISTON Ø 18</b>	<b>PISTONE - PISTON Ø 20</b>
<b>W3021 T3025</b>	<b>W2525 – W3025 T2530 - T2830</b>
<b>PISTONE - PISTON Ø 22</b>	<b>PISTONE - PISTON Ø 28</b>
<b>W2030</b>	<b>W1550</b>

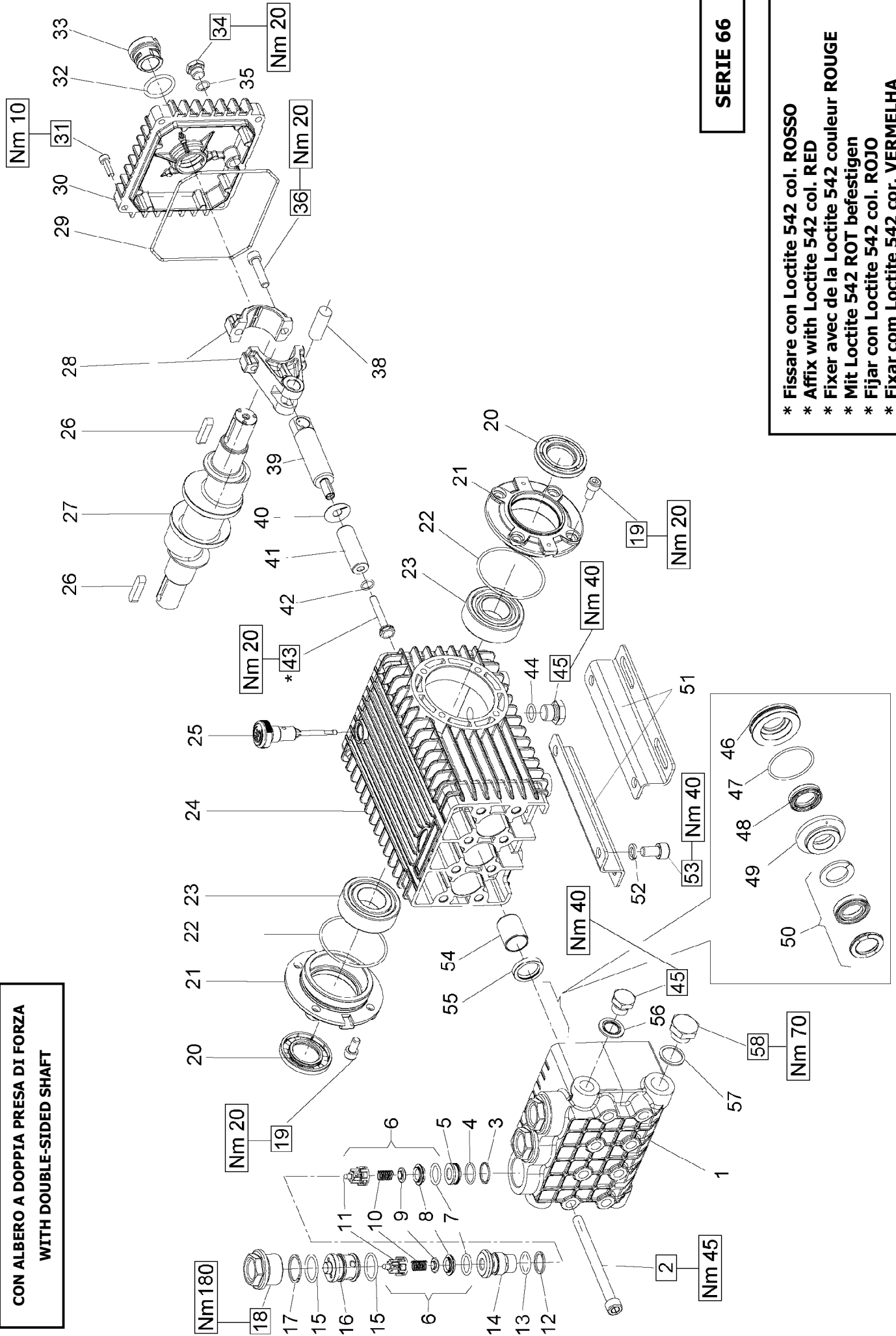
## KIT RICAMBI – SPARE KITS

KIT Nr.	KIT 2	KIT 3	KIT 169	PISTONE - PISTON Ø18			PISTONE - PISTON Ø20			PISTONE - PISTON Ø22			PISTONE - PISTON Ø28		
				KIT 180	KIT 176	KIT 172	KIT 170	KIT 171	KIT 173	KIT 248	KIT 247				
Posizioni include Positions included	47	12	3 - 4 5 - 6 7 (10)	40 - 42	38 - 39 40 - 41 42	40 - 42	38 - 39 40 - 41 42	40 - 42	38 - 39 40 - 41 42	40 - 42	38 - 39 40 - 41 42	40 - 42	38 - 39 40 - 41 42		
Nr. Pcs.	3	2	6	3	1	3	1	3	1	3	1	3	1		

POS	COD.	DESCRIZIONE – DESCRIPTION - KIT	NR
18	91.4892.00	Linguetta 9x7x35 UNI 6604	2
19	66.0210.35	Albero - D.PTO	1
20	66.0300.01	Biella completa	3
21	90.3922.00	OR Ø 133.02x2.62 (3525)	1
22	66.1600.22	Coperchio posteriore	1
23	99.1884.00	Vite M6x20 UNI 5931	4
24	90.4051.00	OR Ø 26.58x3.53 (4106)	1
25	63.2100.51	Spia livello olio	1
26	98.2041.00	Tappo G 1/4"x9	1
27	90.3585.00	OR Ø 10.82x1.78 (2043)	1
28	99.3099.00	Vite M8x35 UNI 5931	6
30	97.7405.00	Spinotto Ø 14x39	3
31	66.0500.66	Guida pistone	3
32	96.7101.00	Rosetta Ø 10x28x0.5	3
33	66.0403.09	Pistone Ø 18x54	3
	66.0400.09	Pistone Ø 20x54	3
	66.0401.09	Pistone Ø 22x54	3
	66.0410.09	Pistone Ø 28x54	3
34	90.3584.00	OR Ø 10.82x1.78 (2043) - 90 Sh.	3
35	66.2195.66	Vite fissaggio pistone	3
36	90.3833.00	OR Ø 13.95x2.62 (3056)	1
37	98.2100.00	Tappo G 3/8"x13	2
38	66.0803.70	Anello di fondo Ø 18	176
	66.0800.70	Anello di fondo Ø 20	171
	66.0801.70	Anello di fondo Ø 22	173
	66.0825.70	Anello di fondo Ø 28	247

POS	COD.	DESCRIZIONE – DESCRIPTION - KIT	NR
1	66.1245.41	Testata Ø 18	1
	66.1200.41	Testata Ø 20	1
	66.1201.41	Testata Ø 22	1
	66.1246.41	Testata Ø 28	1
2	99.3801.00	Vite M10x90 UNI 5931	8
3	90.3857.00	OR Ø 23.81x2.62 (132)	169
4	36.2033.66	Sede valvola sferica	169
5	36.2034.76	Valvola sferica	169
6	94.7388.00	Molla Ø 10x18.5	169
7	36.2035.51	Guida valvola	169
8	90.5165.00	Anello antifest. Ø 24.7x19x1.5	6
9	66.1300.41	Tappo M32x1.5x29.5	6
10	36.7127.01	Gruppo valvola aspiraz. / mand.	169
11	99.3039.00	Vite M8x16 UNI 5931	8
12	90.1648.00	Anello rad. Ø 30x55x7	3
13	47.1510.22	Coperchio cuscinetto aperto	2
14	90.3913.00	OR Ø 67.95x2.62 (3268)	2
15	91.8380.00	Cuscinetto a rulli NJ 2206 EC	2
16	66.0100.22	Carter pompa	1
17	98.2106.00	Tappo carico olio G 3/8"	1

**CON ALBERO A DOPPIA PRESA DI FORZA  
WITH DOUBLE-SIDED SHAFT**

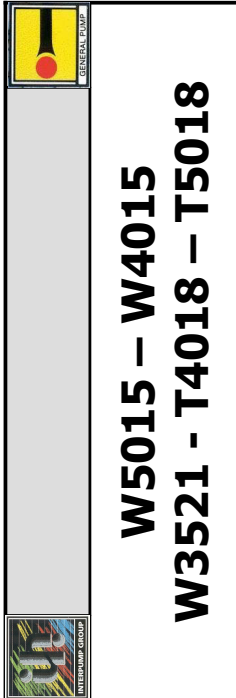


**SERIE 66**

- \* Fissare con Loctite 542 col. ROSSO
- \* Affix with Loctite 542 col. RED
- \* Fixer avec de la Loctite 542 couleur ROUGE
- \* Mit Loctite 542 ROT befestigen
- \* Fijar con Loctite 542 col. ROJO
- \* Fixar com Loctite 542 cor. VERMELHA

**DIS. COD. 66.9516.00**





# W5015 – W4015 W3521 - T4018 – T5018

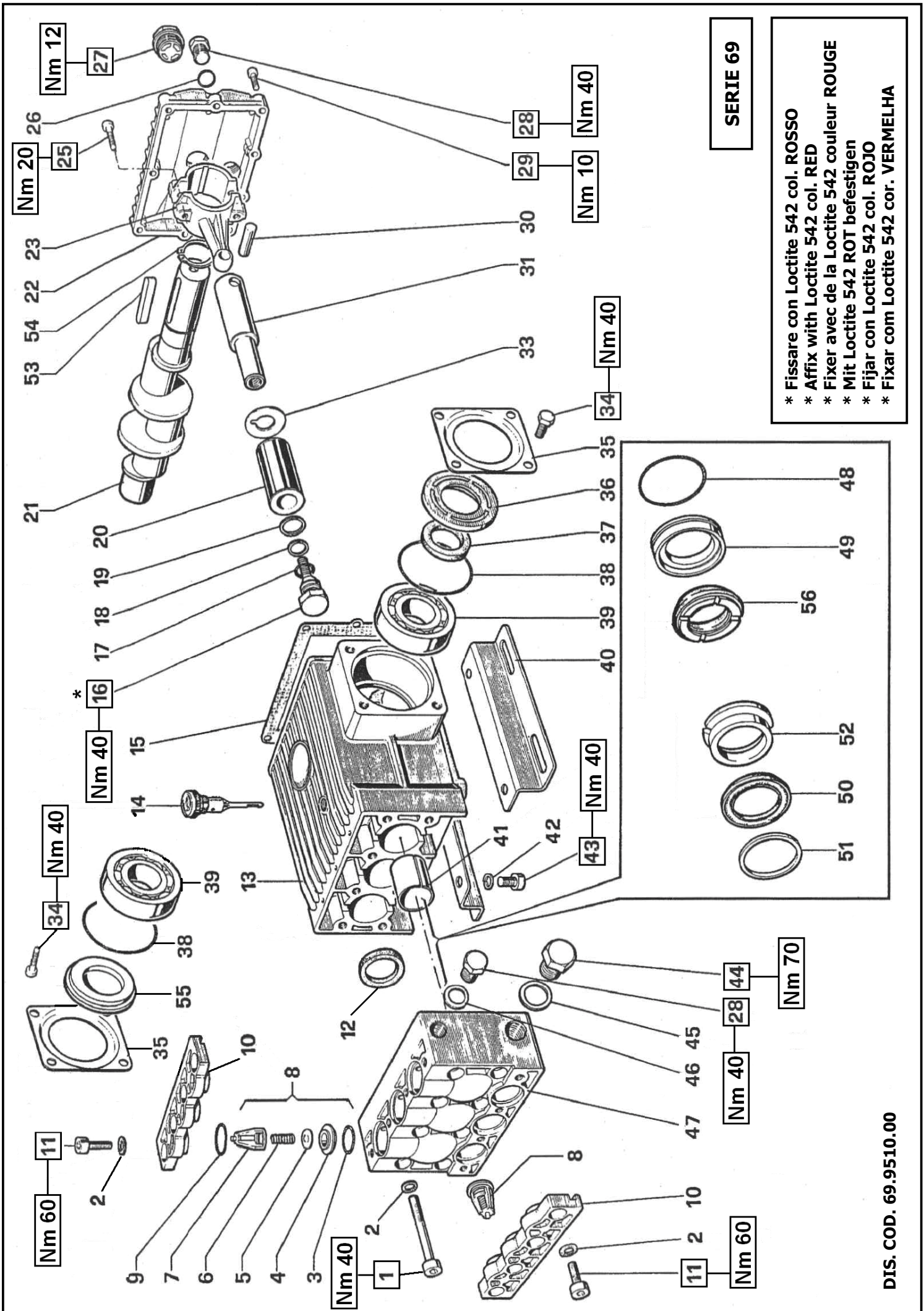
## KIT RICAMBI – SPARE KITS

KIT Nr.	KIT 2	KIT 3	KIT 150	PISTONE - PISTON Ø16			PISTONE - PISTON Ø18		
				KIT 174	KIT 175	KIT 180	KIT 176	KIT 180	KIT 176
Posizioni include Positions included	55	20	6-7 8-9 10 (11)	48-50	46-47 48-49 50	48-50	46-47 48-49 50	48-50	46-47 48-49 50
Nr. Pcs.	3	2	6	3	1	3	1	3	1

PISTONE - PISTON Ø 16		PISTONE - PISTON Ø 18	
W5015 – W4015 T4018 – T5018		W3521	

POS	COD.	DESCRIZIONE – DESCRIPTION - KIT	NR	POS	COD.	DESCRIZIONE – DESCRIPTION - KIT	NR
20	90.1648.00	Anello rad. Ø 30x56x7	3	43	66.2195.66	Vite fissaggio pistone	3
21	47.1510.22	Coperchio cuscinetto aperto	2	44	90.3833.00	OR Ø 13.95x2.62 (3056)	1
22	90.3913.00	OR Ø 67.95x2.62 (3268)	2	45	98.2100.00	Tappo G 3/8"x13	2
23	91.8380.00	Cuscinetto a rulli NJ 2206 EC	2	46	66.0802.70	Anello di fondo Ø 16	175
24	66.0100.22	Carter pompa	1	66.0803.70	Anello di fondo Ø 18	176	176
25	98.2106.00	Tappo carico olio	1	47	90.3616.00	OR Ø 34.65x1.78 (2137)	175-176
26	91.4892.00	Linguetta 9x7x35 UNI 6604	2	48	90.2631.00	Anello tenuta Ø 16x24x6.5 LP	174-175
27	66.0210.35	Albero – D.PTO W5015 – W4015 – W3521 T4015-T5018	1	90.2652.00	Anello tenuta Ø 18x26x6.5 LP	180-176	176
28	66.0300.01	Biella completa	3	66.2162.70	Anello intermedio Ø 16	175	175
29	90.3922.00	OR Ø 133.02x2.62 (3525)	1	66.2163.70	Anello intermedio Ø 18	176	176
30	66.1600.22	Coperchio posteriore	1	90.2634.00	Anello tenuta Ø 16x26x9.5 HP	174-175	175
31	99.1884.00	Vite M6x20 UNI 5931	4	90.2655.00	Anello tenuta Ø 18x28x10 HP	180-176	180-176
32	90.4051.00	OR Ø 26.58x3.53 (4106)	1	47.2000.74	Piedino fissaggio pompa		2
33	63.2100.51	Spia livello olio	1	96.7106.00	Rosetta Ø 10.2 DIN 7980		4
34	98.2041.00	Tappo G 1/4"x9	1	99.3644.00	Vite M10x18 UNI 5931		4
35	90.3585.00	OR Ø 10.82x1.78 (2043)	1	90.9126.00	Boccola Ø 22x25x30		3
36	99.3099.00	Vite M8x35 UNI 5931	6	90.1625.00	Anello rad. Ø 22x32x5.5		2
38	97.7405.00	Spinotto Ø 14x39	3	93.1858.00	Rondella di tenuta G 3/8" Ø 15x27x2		1
39	66.0500.66	Guida pistone	3	96.7514.00	Rosetta Ø 21.5x27x1.5		1
40	96.7101.00	Rosetta Ø 10x28x0.5	3	98.2176.00	Tappo G 1/2"x10		1
41	66.0402.09 66.0403.09	Pistone Ø 16x54 Pistone Ø 18x54	3 3				
42	90.3584.00	OR Ø 10.82x1.78 (2043) – 90 Sh.	3				

POS	COD.	DESCRIZIONE – DESCRIPTION - KIT	NR
1	66.1210.41	Testata Ø 16	1
1	66.1211.41	Testata Ø 18	1
1	66.1240.41	Testata Ø 16 – W5015 – W4518	1
2	99.3820.00	Vite M10x120 UNI 5931	8
3	90.5118.00	Anello antiestr. Ø 19.5x22x1.5	3
4	90.3596.00	OR Ø 18.77x1.78 (2075)	3
5	66.2102.70	Distanziale	3
6	36.7121.01	Gruppo valvola aspiraz. / mand.	150
7	90.3841.00	OR Ø 17.13x2.62 (3068)	150
8	36.2003.66	Sede valvola	150
9	36.2032.66	Valvola sferica	150
10	94.7376.00	Molla Ø 9.4x14.8	150
11	36.2025.51	Guida valvola	150
12	90.5115.00	Anello antiest. Ø 18.7x23x1.5	3
13	90.3843.00	OR Ø 17.86x2.62 (123)	3
14	66.2101.66	Bussola	3
15	90.3857.00	OR Ø 23.81x2.62 (132)	6
16	66.2100.70	Tappo Ø 29	3
17	90.5165.00	Anello antiest. Ø 24.7x29x1.5	3
18	66.1301.41	Tappo valvole M32x1.5x18.5	3
19	99.3039.00	Vite M8x16 UNI 5931	8



**SERIE 69**

- \* Fissare con Loctite 542 col. ROSSO
- \* Affix with Loctite 542 col. RED
- \* Fixer avec de la Loctite 542 couleur ROUGE
- \* Mit Loctite 542 ROT befestigen
- \* Fijar con Loctite 542 col. ROJO
- \* Fixar com Loctite 542 cor. VERMELHA

DIS. COD. 69.9510.00

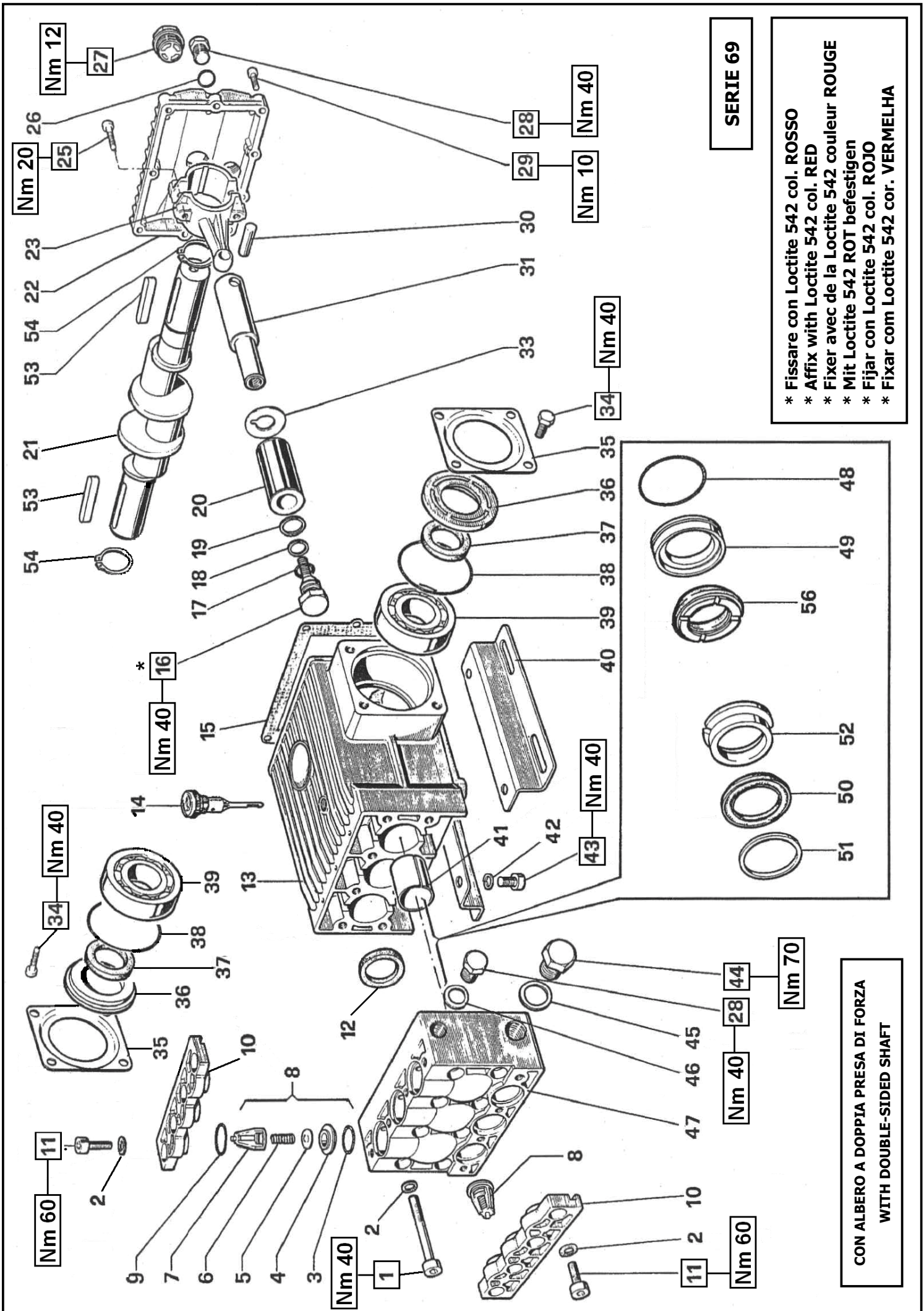
# W4 - T41

## KIT RICAMBI - SPARE KITS

KIT Nr.	KIT 32	KIT 37	KIT 38	KIT 39	KIT 40	KIT 41	KIT 42	KIT 62	KIT 74
Posizioni include Positions included	37	12	50 - 56	48 - 49 50 - 51 52 - 56	48 - 49	51	52	3 - 4 5 - 6 7 (8)	16 - 17 18 - 19
Nr. Pcs.	2	3	3	1	3	6	3	6	3

POS	COD.	DESCRIZIONE - DESCRIPTION - KIT	NR
23	69.0300.01	Biella - Completa	3
25	99.3099.00	Vite M8x35 UNI 5931	6
26	90.3833.00	OR Ø 13.95x2.62 (3056)	1
27	97.5968.00	Spia livello olio G 3/4"	1
28	98.2100.00	Tappo G 3/8"x13	2
29	99.1867.00	Vite M6x18 UNI 5931	9
30	97.7398.00	Spinotto Ø 14x31.5	3
31	69.0500.22	Guida pistone	3
33	96.7565.00	Rosetta Ø 22.3x41x2x0.5	3
34	90.3636.00	Vite M10x19 UNI 5739	8
35	68.1500.74	Coperchio laterale carter	2
36	69.2115.51	Distanziale	1
37	90.1672.00	Anello rad. Ø 35x52x8	32
38	90.4131.00	OR Ø 73.03x3.53 (176)	2
39	91.8480.00	Cuscinetto a sfere 6307	2
40	47.2000.74	Piedino pompa	2
41	90.9162.00	Boccola Ø 32x36x40	3
42	96.7106.00	Rosetta Ø 10.2 DIN 7980	4
43	99.3644.00	Vite M10x18 UNI 5931	4
44	98.2265.00	Tappo G 3/4"x16	1
45	96.7700.00	Rosetta Ø 26.5x32x1.5	1
46	96.7380.00	Rosetta Ø 17.5x23x1.5	1

POS	COD.	DESCRIZIONE - DESCRIPTION - KIT	NR
1	99.3787.00	Vite M10x80 UNI 5931	8
2	96.7104.00	Rosetta Ø 10.5x16x1	16
3	90.3859.00	OR Ø 25.07x2.62 (3100)	62
4	36.2017.66	Sede valvola	62
5	36.2018.76	Valvola	62
6	94.7394.00	Molla Ø 10.7x22.5	62
7	36.2008.51	Guida valvola	62
8	36.7060.01	Gruppo valvola aspiraz./mandata	62
9	90.4055.00	OR Ø 29.75x3.53 (4118)	6
10	69.2180.22	Coperchio valvole	2
11	99.3671.00	Vite M10x25 UNI 5931	8
12	90.1656.00	Anello rad. Ø 32x42x7	37
13	69.0100.22	Carter pompa	1
14	98.2106.00	Tappo carico olio G 3/8"	1
15	69.2119.84	Guarnizione coperchio posteriore	1
16	69.2195.66	Vite fissaggio pistone	74
17	90.3841.00	OR Ø 17.13x2.62 (3068)	74
18	90.5107.00	Anello antiest. Ø 17.4x22x1.5	74
19	96.7555.00	Rosetta Ø 22x27x0.5	74
20	69.0400.09	Pistone Ø 36x60	3
21	69.0205.35	Albero eccentrico C.24	1
22	69.1600.22	Coperchio posteriore carter	1



**SERIE 69**

\* Fissare con Loctite 542 col. ROSSO  
 \* Affix with Loctite 542 col. RED  
 \* Fixer avec la Loctite 542 couleur ROUGE  
 \* Mit Loctite 542 ROT befestigen  
 \* Fijar con Loctite 542 col. ROJO  
 \* Fixar com Loctite 542 cor. VERMELHA

**CON ALBERO A DOPPIA PRESA DI FORZA**  
**WITH DOUBLE-SIDED SHAFT**

# W4 - T41

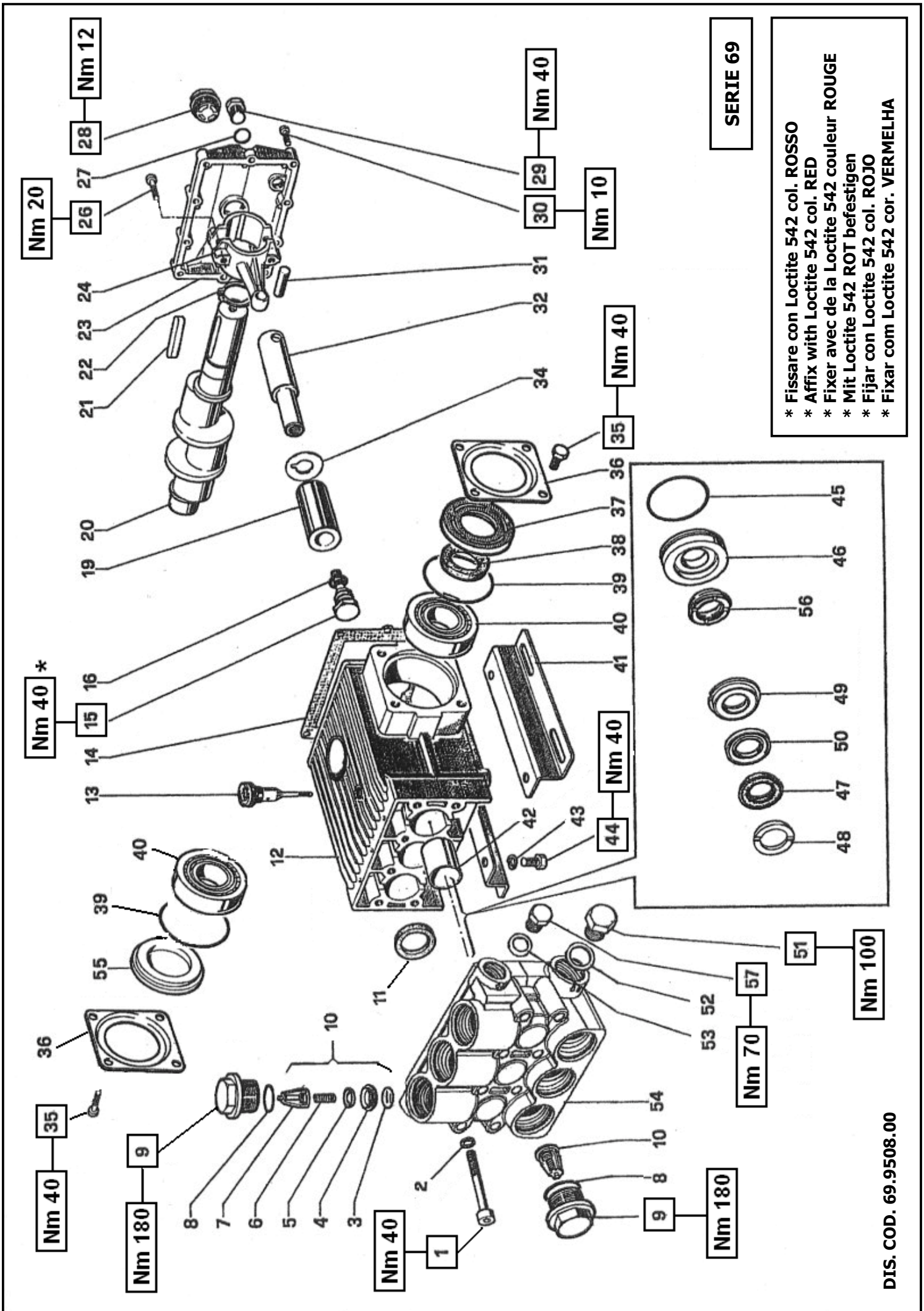
## KIT RICAMBI - SPARE KITS

KIT Nr.	KIT 32	KIT 37	KIT 38	KIT 39	KIT 40	KIT 41	KIT 42	KIT 62	KIT 74
Posizioni include Positions included	37	12	50 - 56	48 - 49 50 - 51 52 - 56	48 - 49	51	52	3 - 4 5 - 6 7 (8)	16 - 17 18 - 19
Nr. Pcs.	2	3	3	1	3	6	3	6	3

POS	COD.	DESCRIZIONE - DESCRIPTION - KIT	NR
23	69.0300.01	Biella - Completa	3
25	99.3099.00	Vite M8x35 UNI 5931	6
26	90.3833.00	OR Ø 13.95x2.62 (3056)	1
27	97.5968.00	Spia livello olio G 3/4"	1
28	98.2100.00	Tappo G 3/8"x13	2
29	99.1867.00	Vite M6x18 UNI 5931	9
30	97.7398.00	Spinotto Ø 14x31.5	3
31	69.0500.22	Guida pistone	3
33	96.7565.00	Rosetta Ø 22.3x41x2x0.5	3
34	90.3636.00	Vite M10x19 UNI 5739	8
35	68.1500.74	Coperchio laterale carter	2
36	69.2115.51	Distanziale	2
37	90.1672.00	Anello rad. Ø 35x52x8	32
38	90.4131.00	OR Ø 73.03x3.53 (176)	2
39	91.8480.00	Cuscinetto a sfere 6307	2
40	47.2000.74	Piedino pompa	2
41	90.9162.00	Boccola Ø 32x36x40	3
42	96.7106.00	Rosetta Ø 10.2 DIN 7980	4
43	99.3644.00	Vite M10x18 UNI 5931	4
44	98.2265.00	Tappo G 3/4"x16	1
45	96.7700.00	Rosetta Ø 26.5x32x1.5	1
46	96.7380.00	Rosetta Ø 17.5x23x1.5	1

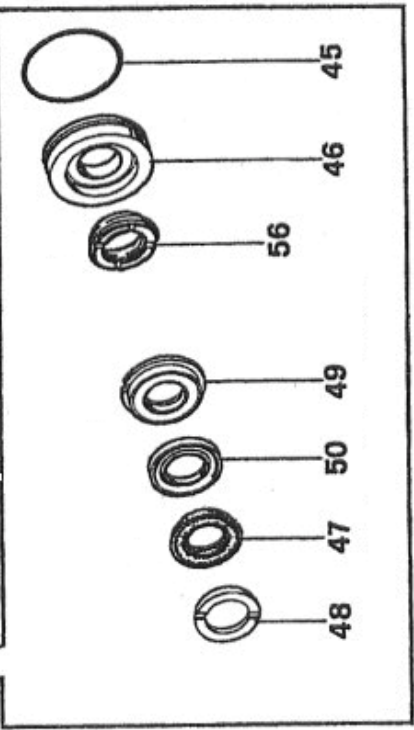
POS	COD.	DESCRIZIONE - DESCRIPTION - KIT	NR
47	69.1200.22	Testata pompa	1
48	90.3885.00	OR Ø 45.69x2.62 (3181)	39-40
49	69.0802.70	Anello di fondo Ø 36	39-40
50	90.2820.00	Anello ten. alt. Ø 36x48x6/3.5 HP 38-39	3
51	69.1002.93	Anello di testa Ø 36	39-41
52	69.2168.70	Anello intermedi Ø 36	39-42
53	91.4969.00	Linguetta 10x8x40 Uni 6604	2
54	90.0695.00	Anello seeger Ø 35 UNI 7435	2
56	90.2823.00	Anello ten. alt. Ø 36x48x7.5 LP	38-39

POS	COD.	DESCRIZIONE - DESCRIPTION - KIT	NR
1	99.3787.00	Vite M10x80 UNI 5931	8
2	96.7104.00	Rosetta Ø 10.5x16x1	16
3	90.3859.00	OR Ø 25.07x2.62 (3100)	62
4	36.2017.66	Sede valvola	62
5	36.2018.76	Valvola	62
6	94.7394.00	Molla Ø 10.7x22.5	62
7	36.2008.51	Guida valvola	62
8	36.7060.01	Gruppo valvola aspiraz./mandata	62
9	90.4055.00	OR Ø 29.75x3.53 (4118)	6
10	69.2180.22	Coperchio valvole	2
11	99.3671.00	Vite M10x25 UNI 5931	8
12	90.1656.00	Anello rad. Ø 32x42x7	37
13	69.0100.22	Carter pompa	1
14	98.2106.00	Tappo carico olio G 3/8"	1
15	69.2119.84	Guarnizione coperchio posteriore	1
16	69.2195.66	Vite fissaggio pistone	74
17	90.3841.00	OR Ø 17.13x2.62 (3068)	74
18	90.5107.00	Anello antiest. Ø 17.4x22x1.5	74
19	96.7555.00	Rosetta Ø 22x27x0.5	74
20	69.0400.09	Pistone Ø 36x60	3
21	69.0204.35	Albero eccentrico C.24 - D.PTO	1
22	69.1600.22	Coperchio posteriore carter	1



**SERIE 69**

- \* Fissare con Loctite 542 col. ROSSO
- \* Affix with Loctite 542 col. RED
- \* Fixer avec de la Loctite 542 couleur ROUGE
- \* Mit Loctite 542 ROT befestigen
- \* Fijar con Loctite 542 col. ROJO
- \* Fixar com Loctite 542 cor. VERMELHA



DIS. COD. 69.9508.00

# W827 - T8271

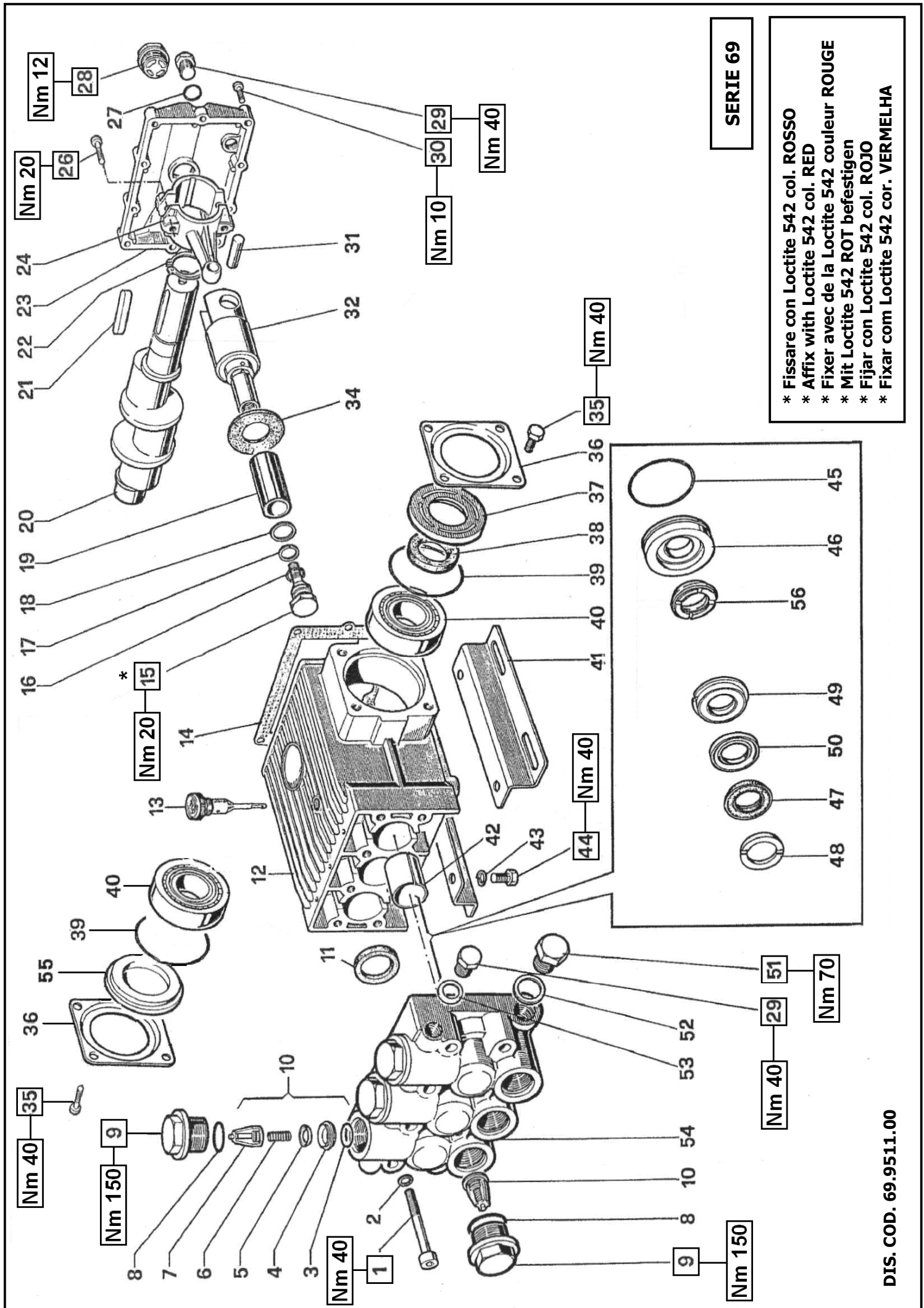
## KIT RICAMBI - SPARE KITS

KIT Nr.	KIT 32	KIT 37	KIT 40	KIT 41	KIT 43	KIT 188	KIT 189	KIT 190
Posizioni include Positions included	38	11	45 - 46	48	3 - 4 5 - 6 7 (10)	49	45 - 46 47 - 48 49 - 50 56	47 - 50 56
Nr. Pcs.	2	3	3	3	6	3	1	3

POS	COD.	DESCRIZIONE - DESCRIPTION - KIT	NR
1	99.3810.00	Vite M10x95 UNI 5931	8
2	96.7104.00	Rosetta Ø 10.5x16x1	8
3	90.4059.00	OR Ø 32.93x3.53 (4131)	43
4	36.2011.66	Sede valvola	43
5	36.2010.76	Valvola sferica	43
6	94.7450.00	Molla Ø 16x27.5	43
7	36.2009.51	Guida valvola	43
8	90.4065.00	OR Ø 37.69x3.53 (4150)	6
9	98.2420.00	Tappo M42x1.5x53	6
10	36.7065.01	Gruppo valvola aspiraz./mandata	43
11	90.1656.00	Anello rad. Ø 32x42x7	37
12	69.0100.22	Carter pompa	1
13	98.2106.00	Tappo carico olio G 3/8"	1
14	69.2119.84	Guarnizione coperchio posteriore	1
15	69.2196.66	Vite fissaggio pistone	3
16	90.3859.00	OR Ø 25.07x2.62 (3100)	3
19	69.0400.09	Pistone Ø 36x60	3
20	69.0205.35	Albero eccentrico C.24	1
21	91.4969.00	Linguetta 10x8x40 UNI 6604	1
22	90.0695.00	Anello seeger Ø 35 UNI 7435	1
23	69.1600.22	Coperchio posteriore carter	1
24	69.0304.01	Biella - Completa	3

POS	COD.	DESCRIZIONE - DESCRIPTION - KIT	NR
26	99.3099.00	Vite M8x35 UNI 5931	6
27	90.3833.00	OR Ø 13.95x2.62 (3056)	1
28	97.5968.00	Spia livello olio G 3/4"	1
29	98.2100.00	Tappo G 3/8"x13	1
30	99.1867.00	Vite M6x18 UNI 5931	9
31	97.7398.00	Spinotto Ø 14x31.5	3
32	69.0503.54	Guida pistone	3
34	96.7565.00	Rosetta Ø 22.3x42x0.5	3
35	99.3636.00	Vite M10x16 UNI 5739	8
36	68.1500.74	Coperchio laterale carter	2
37	69.2115.51	Distanziale	1
38	90.1672.00	Anello rad. Ø 35x52x8	32
39	90.4131.00	OR Ø 73.03x3.53 (176)	2
40	91.8482.00	Cuscinetto a rulli NJ 307 ECP	2
41	47.2000.74	Piedino pompa	2
42	90.9162.00	Boccola Ø 32x36x40	3
43	96.7106.00	Rosetta Ø 10.5 DIN 7980	4
44	99.3644.00	Vite M10x18 UNI 5931	4
45	90.3885.00	OR Ø 45.69x2.62 (3181)	40-189
46	69.0802.70	Anello di fondo Ø 36	40-189
47	90.2820.00	Anello ten. alt. Ø 36x48x6/3.5 HP 189-190	3

POS	COD.	DESCRIZIONE - DESCRIPTION - KIT	NR
48	69.1002.93	Anello di testa Ø 36	41-189
49	69.2170.70	Anello intermedio Ø 36	188-189
50	90.2818.00	Anello RESTOP Ø 36x48x6/3	189-190
51	98.2325.00	Tappo G 1"x17	1
52	96.7870.00	Rosetta Ø 33.5x38x1.5	1
53	96.7700.00	Rosetta Ø 26.5x32x1.5	1
54	69.1218.41	Testata pompa	1
55	69.2116.51	Distanziale	1
56	90.2823.00	Anello ten. alt. Ø 36x48x7.5 LP 189-190	3
57	98.2265.00	Tappo G 3/4"x16	1



**SERIE 69**

- \* Fissare con Loctite 542 col. ROSSO
- \* Affix with Loctite 542 col. RED
- \* Fixer avec la Loctite 542 couleur ROUGE
- \* Mit Loctite 542 ROT befestigen
- \* Fijar con Loctite 542 col. ROJO
- \* Fixar com Loctite 542 cor. VERMELHA

DIS. COD. 69.9511.00





# WS104 – WS153 TS1041 – TS1531

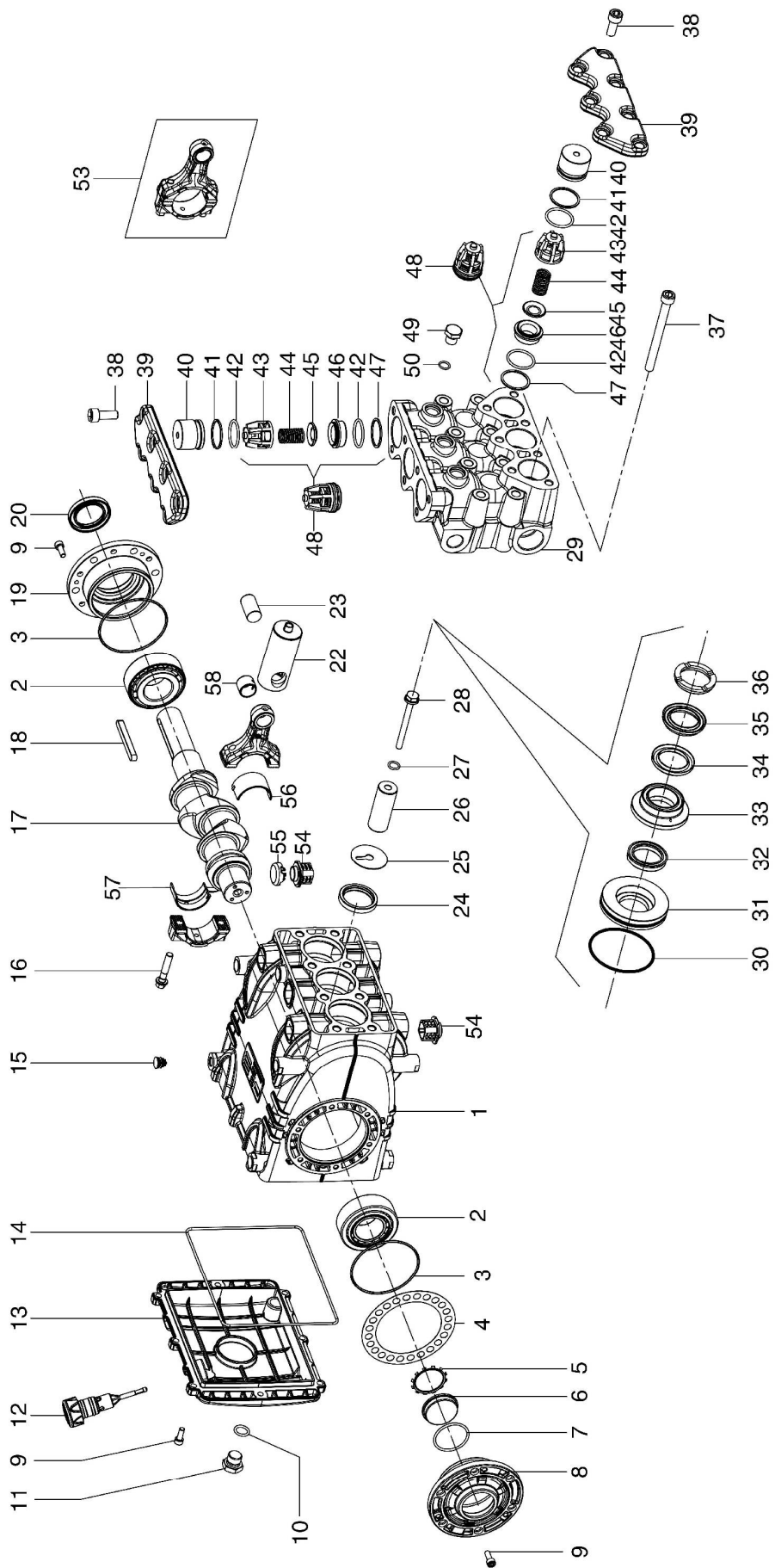
## KIT RICAMBI – SPARE KITS

KIT Nr.	KIT 7	KIT 32	KIT 37	KIT 54	KIT 57	KIT 62	KIT 69	KIT 71	KIT 82
Posizioni include Positions included	48	38	11	15 - 16 17 - 18 34	45 - 46	3 - 4 5 - 6 7 (10)	47 - 50 56	49 - 50	45 - 46 47 - 48 49 - 50 56
Nr. Pcs.	6	2	3	3	3	6	3	3	1

POS	COD.	DESCRIZIONE – DESCRIPTION - KIT	NR
1	99.3787.00	Vite M10x80 UNI 5931	8
2	96.7104.00	Rosetta Ø 10.5x16x1	8
3	90.3859.00	OR Ø 25.07x2.62 (3100)	62
4	36.2017.66	Sede valvola	62
5	36.2018.76	Valvola sferica	62
6	94.7394.00	Molla Ø 10.7x22.5	62
7	36.2008.51	Guida valvola	62
8	90.4051.00	OR Ø 26.58x3.53 (4106)	6
9	98.2312.00	Tappo M32x2x20.5	6
10	36.7060.01	Gruppo valvola aspiraz./mandata	62
11	90.1656.00	Anello rad. Ø 32x42x7	37
12	69.0100.22	Carter pompa	1
13	98.2106.00	Tappo carico olio G 3/8"	1
14	69.2119.84	Guarnizione coperchio posteriore	1
15	69.2195.66	Vite fissaggio pistone	54
16	90.3885.00	OR Ø 10.82x1.78 (3181)	54
17	90.5067.00	Anello antiest. Ø 11x14x1.5	54
18	96.7280.00	Rosetta Ø 14x18.5x0.5	54
19	47.0404.09	Pistone Ø 20x50	3
20	69.0210.35	Albero eccentrico C.22	1
21	91.4969.00	Linguetta 10x8x40 UNI 6604	1
22	90.0695.00	Anello seeger Ø 35 UNI 7435	1
23	69.1600.22	Coperchio posteriore carter	1

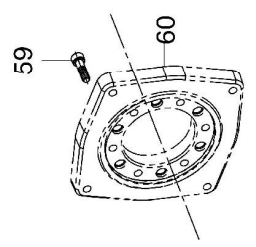
POS	COD.	DESCRIZIONE – DESCRIPTION - KIT	NR
24	69.0300.01 69.0303.01	Biella – Completa – ws104 – s1041 Biella – Completa – ws153 – s1531	3 3
26	99.3099.00	Vite M8x35 UNI 5931	6
27	90.3833.00	OR Ø 13.95x2.62 (3056)	1
28	97.5968.00	Spia livello olio G 3/4"	1
29	98.2100.00	Tappo G 3/8"x13	2
30	99.1867.00	Vite M6x18 UNI 5931	9
31	97.7398.00	Spinotto Ø 14x31.5	3
32	69.0502.54	Guida pistone	3
34	69.2117.47	Anello di protezione	54
35	99.3636.00	Vite M10x16 UNI 5739	8
36	68.1500.74	Coperchio laterale carter	2
37	69.2115.51	Distanziale	1
38	90.1672.00	Anello rad. Ø 35x52x8	32
39	90.4131.00	OR Ø 73.03x3.53 (176)	2
40	91.8480.00	Cuscinetto a sfere 6307	2
41	47.2000.74	Piedino pompa	2
42	90.9162.00	Boccola Ø 32x36x40	3
43	96.7106.00	Rosetta Ø 10.5 DIN 7980	4
44	99.3644.00	Vite M10x18 UNI 5931	4
45	90.3885.00	OR Ø 45.69x2.62 (3181)	57-82
46	69.0804.70	Anello di fondo Ø 20	57-82

POS	COD.	DESCRIZIONE – DESCRIPTION - KIT	NR
47	90.2705.00	Anello ten. alt. Ø 20x35x7.5/4.5 HP 69-82	3
48	47.1000.51	Anello di testa Ø 20	7-82
49	47.2169.70	Anello intermedio Ø 20	71-82
50	90.2704.00	Anello RESTOP Ø 20x35x5.5/2 69-71-82	3
51	98.2265.00	Tappo G 3/8"x16	1
52	96.7700.00	Rosetta Ø 26.5x32x1.5	1
53	96.7380.00	Rosetta Ø 17.5x23x1.5	1
54	69.1210.41	Testata pompa	1
55	69.2116.51	Distanziale	1
56	90.2710.00	Anello ten. alt. Ø 20x35x8.7 LP 69-82	3



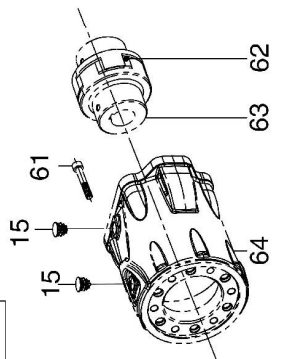
Flangia tipo "A" per azionamenti diretti

OPTIONAL



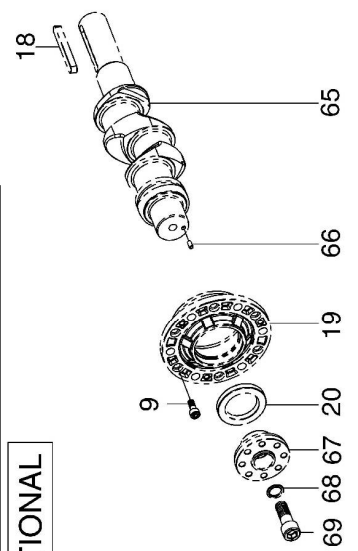
Campana e Giunto per accoppiamenti a motori idraulici SAE B

OPTIONAL



Preso di forza ausiliare su lato opposto azionamento

OPTIONAL



**SERIE 70**

COD. DIS. 70.9511.00



# W12070H - W100100H



<b>PISTON Ø 30</b>	<b>W12070H</b>	<b>PISTON Ø 36</b>	<b>W100100H</b>
--------------------	----------------	--------------------	-----------------

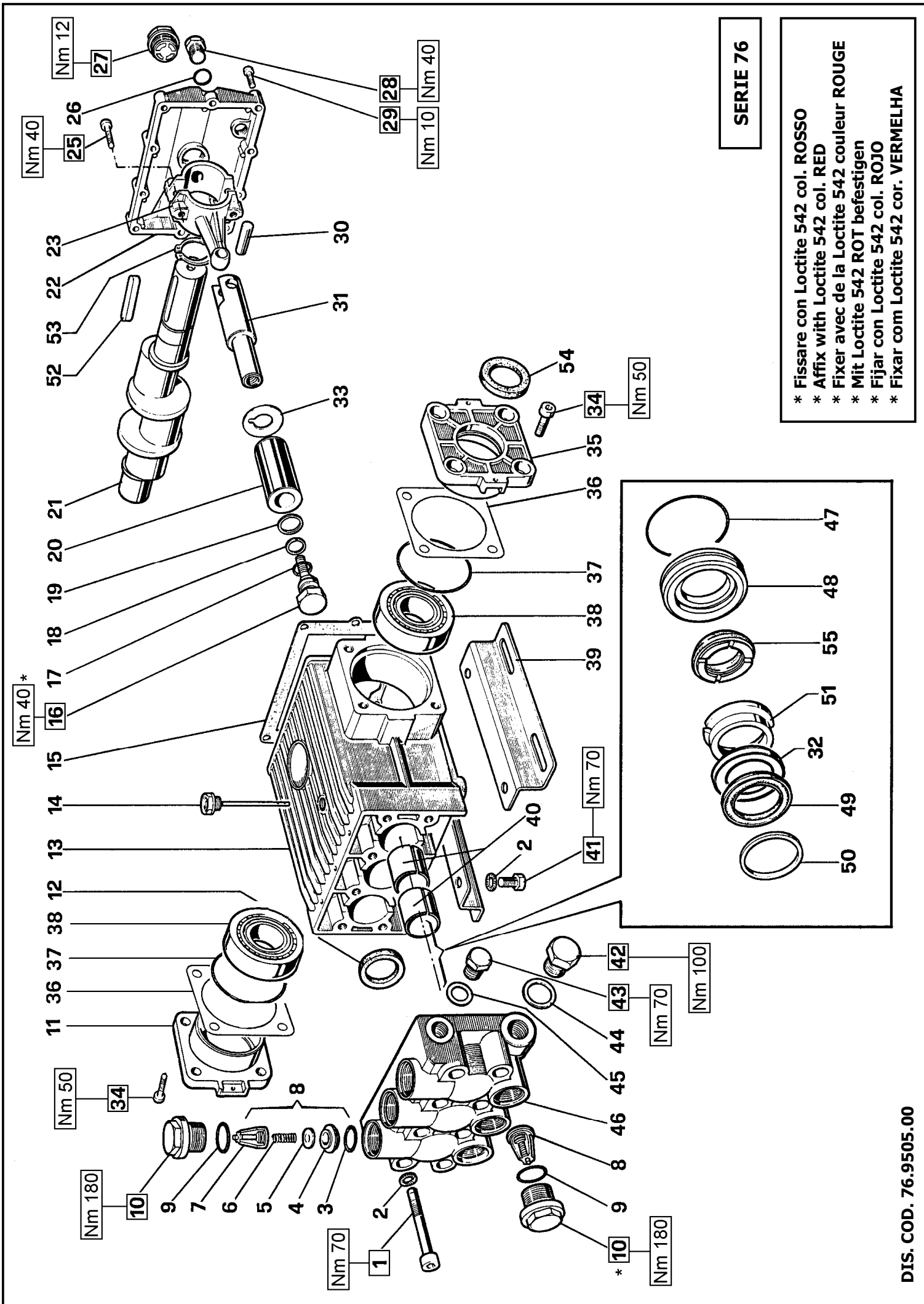
## KIT RICAMBI – SPARE KITS

KIT NR.	KIT 2030	KIT 2156 2157-2158	KIT 2010	KIT 2211	KIT 2133	PISTONE – PISTON Ø 36
Posizioni incluse Positions included	42 - 43 44 - 45 46 - 47 (48)	56 - 57	30 - 32 34 - 35	3 - 5 - 6 - 7 - 10 14 - 20 - 24 27 - 30 - 32 34 - 35 - 41 42 - 47 - 50	30 - 32 34 - 35	3 - 5 - 6 - 7 - 10 14 - 20 - 24 27 - 30 - 32 34 - 35 - 41 42 - 47 - 50
Nr. Pcs.	3	3	3	1	3	1

POS	COD.	DESCRIZIONE - DESCRIPTION - KIT	NR
1	70.0100.22	Carter pompa	1
2	91.8477.00	Cuscinetto a rulli 33207	2
3	90.3915.00	OR Ø 80.6x2.62 (3318) 2211-2134	2
4	70.2200.81 70.2203.81	Spessore 0.1 mm. Spessore 0.25 mm.	- -
5	90.0756.00	Anello seeger Ø 45 2211-2134	1
6	70.2118.01	Spia livello olio 2211-2134	1
7	90.3877.00	OR Ø 39.34x2.62 (3156) 2211-2134	1
8	70.1501.22	Coperchio cuscinetto lato spia	1
9	99.1854.00	Vite M6x16 UNI 5931	20
10	90.3833.00	OR Ø 13.95x2.62 (3056) 2211-2134	1
11	98.2099.00	Tappo G 3/8"x13 NK.	1
12	98.2115.00	Tappo con asta Ø 21.5x70	1
13	70.1600.22	Coperchio posteriore carter	1
14	90.3944.00	OR Ø 196.52x2.62 (3775) 2211-2134	1
15	98.2005.00	Tappo per foro Ø 15	7
16	99.3123.00	Vite serraggio biella	6
17	70.0200.35	Albero ecc.	1
18	91.4900.00	Linguetta 8x7x70 UNI 6604	1
19	70.1500.22	Coperchio cuscinetto lato PTO	1
20	90.1668.00	Anello rad. Ø 35x52x7 2211-2134	1
22	70.0500.15	Guida pistone	3
23	97.7420.00	Spinotto Ø 18x36	3
24	90.1677.00	Anello rad. Ø 36x47x6/7.5 2211-2134	3
25	96.7099.00	Rosetta Ø 10x45x1	3
26	70.0404.09 70.0405.09	Pistone Ø 30x62 Pistone Ø 36x62	3 3
27	90.3671.00	OR Ø 11.00x2.00 2211-2134	3
28	70.2195.66	Vite fissaggio pistone	3

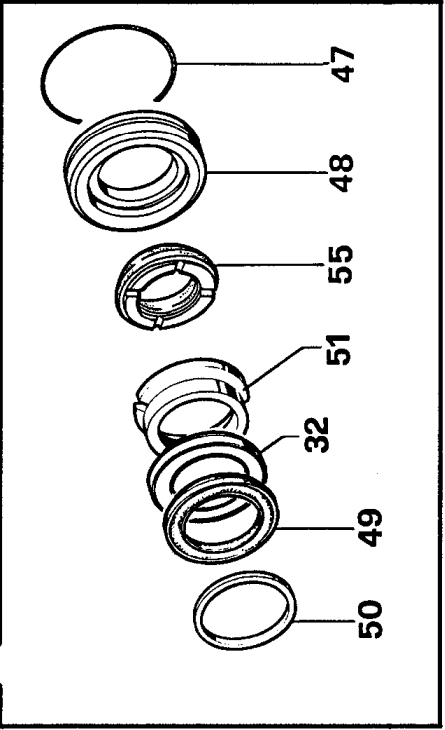
POS	COD.	DESCRIZIONE - DESCRIPTION - KIT	NR
29	70.1244.41 70.1241.41	Testata per pistone Ø 30 Testata per pistone Ø 36 NK.	1 1
30	90.3626.00	OR Ø 50.52x1.78 (2200) 2010-2133-2211-2134	3
31	70.0804.70 70.0812.70	Anello di fondo Ø 30 Anello di fondo Ø 36	3 3
32	90.2760.00 90.2800.00	Anello ten. alt. Ø 30x38.5.5 LP 2010-2211 Anello ten. alt. Ø 36x44.6 LP 2133-2134	3 3
33	70.2164.70 70.2224.70	Anello intermedio Ø 30 Anello intermedio Ø 36	3 3
34	90.2774.00 90.2818.00	Anello RESTOP Ø 30x45x8/4.5 2010-2211 Anello RESTOP Ø 36x48x6/3 2133-2134	3 3
35	90.2770.00 90.2820.00	An. ten. alt. Ø 30x45x7/4.5 HP 2010-2211 An. ten. alt. Ø 36x48x6/3.5 HP 2133-2134	3 3
36	70.1004.51 71.1002.51	Anello di testa pistone Ø 30 Anello di testa pistone Ø 36	3 3
37	99.3816.00	Vite M10x110 UNI 5931	8
38	99.3671.00	Vite M10x25 UNI 5931	14
39	70.2219.41 70.2223.41	Coperchio valvole - w12070H Coperchio valvole NK. - w100100H	1 1
40	70.2116.70	Tappo valvole	6
41	90.5180.00	An. antiest. Ø 32.4x36.5x1.5 2211-2134	6
42	90.3865.00	OR Ø 29.82x2.62 (3118) 2030-2211-2134	12
43	36.2047.05	Guida valvola 2030	6
44	94.7450.00	Molla Ø 16x27.5 2030	6
45	36.2010.76	Valvola sferica 2030	6
46	36.2048.66	Sede valvola 2030	6
47	90.5178.00	Anello antiest. Ø 31x35.5x1.5 2030-2211-2134	6
48	36.7143.01	Gr. valvola aspirazione / mandata 2030	6
49	98.2043.00 98.2099.00	Tappo G 1/4"x13 - w12070H Tappo G 3/8"x13 NK. - w100100H	3 3
50	90.3585.00	OR Ø 10.82x1.78 (2043) 2211-2134	3

POS	COD.	DESCRIZIONE - DESCRIPTION - KIT	NR
53	70.0305.01	Biella - Completa	3
54	70.2225.51	Tappo carter	6
55	71.2259.51	Cappuccio tappo carter	3
56	90.9220.00 90.9221.00 90.9222.00	Semboc. testa biella - Sup. Semboc. testa biella +0.25 - Sup. Semboc. testa biella +0.50 - Sup.	2156 2157 2158
57	90.9223.00 90.9224.00 90.9225.00	Semboc. testa biella - Inf. Semboc. testa biella +0.25 - Inf. Semboc. testa biella +0.50 - Inf.	2156 2157 2158
58	90.9100.00	Boccola piede biella	3
<b>AZIONAMENTO DIRETTO CON FLANGIA TIPO A</b>			
59	99.3084.00	Vite M8x30 UNI 5931	6
60	10.0673.20	Flangia motore idraulico tipo A	1
<b>AZIONAMENTO IDRAULICO CON CAMPANA E GIUNTO SAE-B</b>			
15	98.2005.00	Tappo per foro Ø 15	2
61	99.3136.00	Vite M8x45 UNI 5931	6
62	10.0755.47	Elemento elastico giunto Ø 46	1
63	10.7430.01	Giunto elastico Ø 30x25.4	1
64	10.0752.20	Flangia motore idraulico SAE-B	1
<b>AZIONAMENTO CON PRESA DI FORZA AUSILIARE</b>			
9	99.1854.00	Vite M6x16 UNI 5931	6
18	91.4900.00	Linguetta 8x7x70 UNI 6604	1
19	70.1500.22	Coperchio cuscinetto lato PTO	1
20	90.1668.00	Anello rad. Ø 35x52x7	1
65	70.0205.35	Albero ecc. doppio PTO	1
66	97.6152.00	Spina Ø 5x10	1
67	70.2234.54	Dispositivo doppio PTO	1
68	96.7160.00	Rosetta Ø 12x18x1	1
69	99.4295.00	Vite M12x35 UNI 5931	1



**SERIE 76**

- \* Fissare con Loctite 542 col. ROSSO
- \* Affix with Loctite 542 col. RED
- \* Fixer avec de la Loctite 542 couleur ROUGE
- \* Mit Loctite 542 ROT befestigen
- \* Fijar con Loctite 542 col. ROJO
- \* Fixar com Loctite 542 cor. VERMELHA





# W6 – W8 – T61 – T81 W155 – T1551

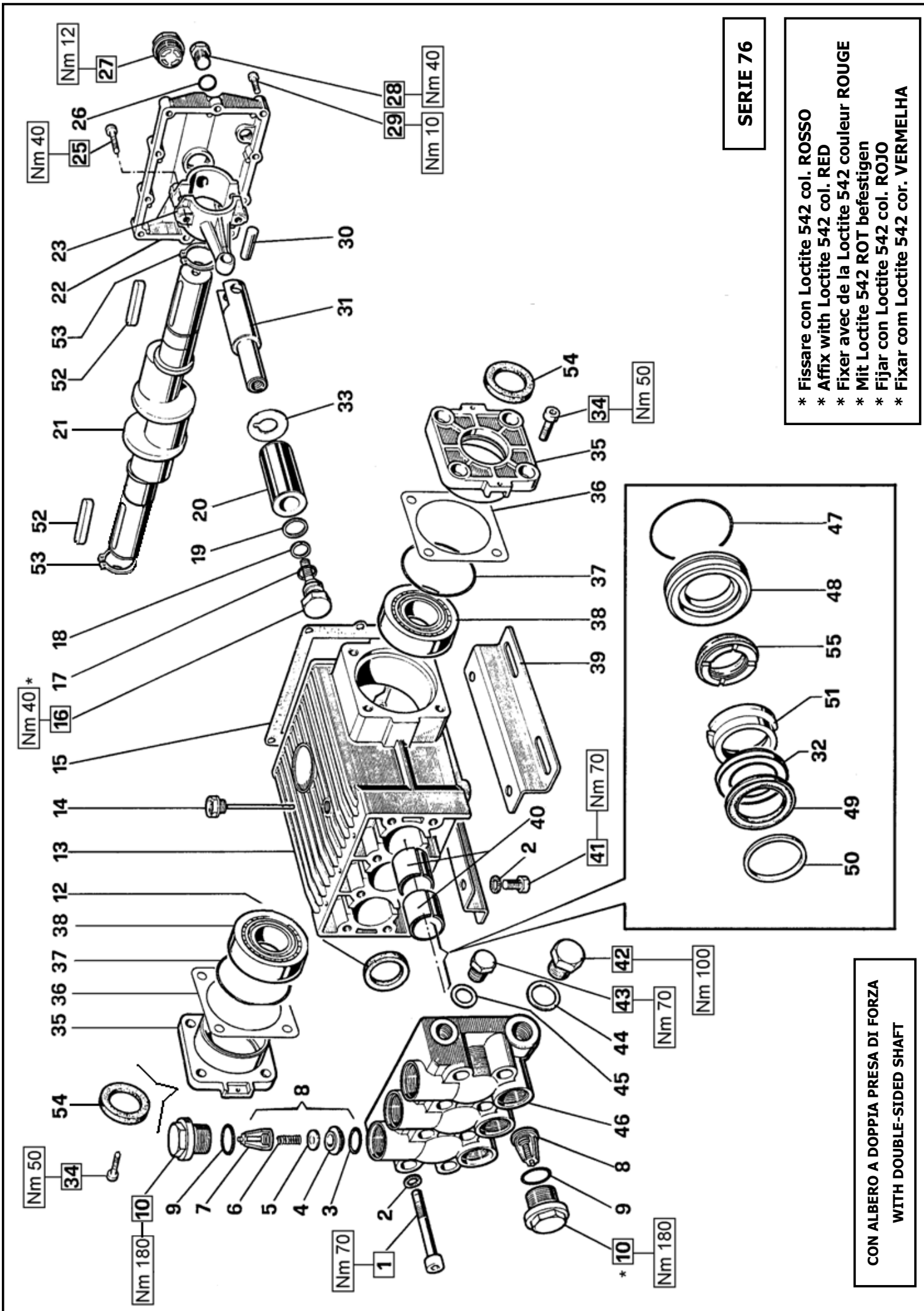
## KIT RICAMBI – SPARE KITS

KIT Nr.	PISTONE – PISTON Ø 30						PISTONE – PISTON Ø 45					
	KIT 32	KIT 43	KIT 44	KIT 74	KIT 65	KIT 113	KIT 114	KIT 115	KIT 47	KIT 79	KIT 80	KIT 81
54	3-4 5-6-7 (8)	12	16-17 18-19	50	51	32-49 55	47-48	32-47 48-49 50-51 55	50	32-49 55	32-47 48-49 50-51 55	32-51
Nr. Pcs.	2	6	3	6	3	3	3	1	6	3	1	1

POS	COD.	DESCRIZIONE – DESCRIPTION – KIT	NR
20	76.0400.56 76.0402.09	Pistone Ø 30x70 Pistone Ø 45x70	3 3
21	76.0210.35 76.0211.35	Albero – W155-T1551-W8-T81 Albero – W6-T61	1 1
22	76.1600.22	Coperchio posteriore carter	1
23	76.0303.01	Biella – Completa	3
25	99.3720.00	Vite M10x45 UNI 5931 – Zinc.	6
26	90.3833.00	OR Ø 13.95x2.62 (3056)	2
27	97.5968.00	Spia livello olio	1
28	98.2100.00	Tappo G 3/8"x13	2
29	99.1897.00	Vite M6x25 UNI 5931 – Zinc.	10
30	97.7400.00	Spinotto Ø 14x34.5	3
31	77.0500.54	Guida pistone	3
32	90.2774.00 90.2848.00	Anello RESTOP Ø 30x45x8/4.5 113-115 Anello RESTOP Ø 45x60x6.5/3 79-80-81	3 3
33	96.7568.00	Rosetta Ø 22.3x51x0.5	3
34	99.3652.00	Vite M10x20 UNI 5931	8
35	76.1500.22	Coperchio laterale carter	1
36	76.2200.78	Spessore	4
37	90.4141.00	OR Ø 85.32x3.53 (4337)	2
38	91.8474.00	Cuscinetto a rulli conici	2
39	76.2000.74	Piedino	2

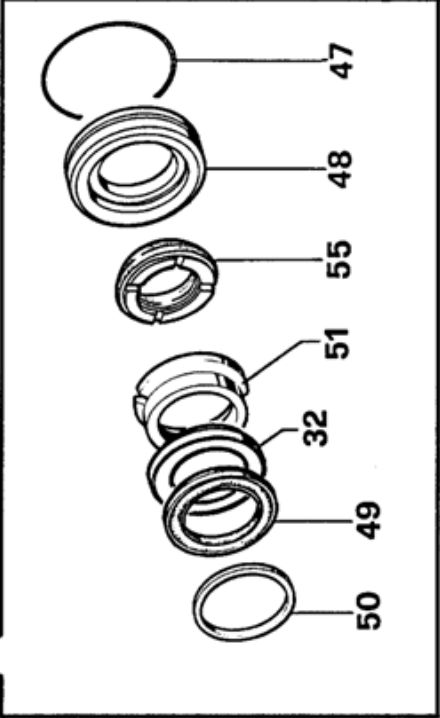
POS	COD.	DESCRIZIONE – DESCRIPTION – KIT	NR
40	90.9172.00 90.9174.00	Boccola Ø 35x39x30 Boccola Ø 35x39x50	6 3
41	99.4266.00	Vite M12x25 UNI 5739 – Zinc.	4
42	98.2325.00	Tappo G 1"x17	1
43	98.2265.00	Tappo G 3/4"x16	1
44	96.7870.00	Rosetta Ø 33.5x38x1.5	1
45	96.7700.00	Rosetta Ø 26.5x32x1.5	1
46	76.1210.41 76.1200.41	Testata Ø 35 Testata Ø 40	1 1
47	90.3903.00	OR Ø 60x2.62 (3237) 47-80-114-115	3
48	76.0800.70 76.0802.70	Anello di fondo Ø 30 114-115 Anello di fondo Ø 45 47-80	3 3
49	90.2770.00 90.2850.00	Anello ten. alt. Ø 30x45x7.5/4.5 HP 113-115 Anello ten. alt. Ø 45x60x7.5/4.5 HP 79-80	3 3
50	69.1000.51 76.1002.51	Anello di testa Ø 30 65-115 Anello di testa Ø 45 48-80	3 3
51	69.2167.70 76.2170.70	Anello intermedio Ø 30 66-115 Anello intermedio Ø 45 80-81	3 3
52	91.4978.00	Linguetta 10x8x55 UNI 7435	1
53	90.0695.00	Anello di arresto Ø 35 UNI 7435	1
54	90.1672.00	Anello rad. Ø 35x52x8 32	1
55	90.2776.00 90.2855.00	Anello ten. alt. Ø 30x45x9.5 LP 113-115 Anello ten. alt. Ø 45x60x9 LP 79-80	3 3

POS	COD.	DESCRIZIONE – DESCRIPTION – KIT	NR
1	99.4418.00	Vite M12x90 UNI 5931 – Zinc.	8
2	96.7195.00	Rosetta Ø 13x18x1.1	12
3	90.4059.00	OR Ø 32.93x3.53 (4131) – Spec.	43
4	36.2011.66	Sede valvola	43
5	36.2010.76	Valvola	43
6	94.7450.00	Molla Ø 16x27.5	43
7	36.2009.51	Guida valvola	43
8	36.7065.01	Gruppo valvola aspiraz./mand.	43
9	90.4065.00	OR Ø 37.69x3.53 (4150)	6
10	98.2420.00	Tappo M42x1.5x23	6
11	76.1501.22	Coperchio laterale carter	1
12	90.1670.00	Anello rad. Ø 35x52x7	44
13	76.0100.22 76.0102.01	Carter pompa – W6-W8-T61-T81 Carter pompa + boccole – W155-T1551	1 1
14	98.2270.00	Tappo carico olio	1
15	76.2119.84	Guarnizione coperchio posteriore	1
16	69.2195.66	Vite fissaggio pistone	74
17	90.3841.00	OR Ø 17.13x2.62 (3068)	74
18	90.5107.00	Anello antiest. Ø17.4x22x1.15	74
19	96.7555.00	Rosetta Ø 22x27x0.5	74



**SERIE 76**

- \* Fissare con Loctite 542 col. ROSSO
- \* Affix with Loctite 542 col. RED
- \* Fixer avec de la Loctite 542 couleur ROUGE
- \* Mit Loctite 542 ROT befestigen
- \* Fijar con Loctite 542 col. ROJO
- \* Fixar com Loctite 542 cor. VERMELHA



**CON ALBERO A DOPPIA PRESA DI FORZA  
WITH DOUBLE-SIDED SHAFT**



# W6 – W8 – T61 – T81 W155 – T1551

## KIT RICAMBI – SPARE KITS

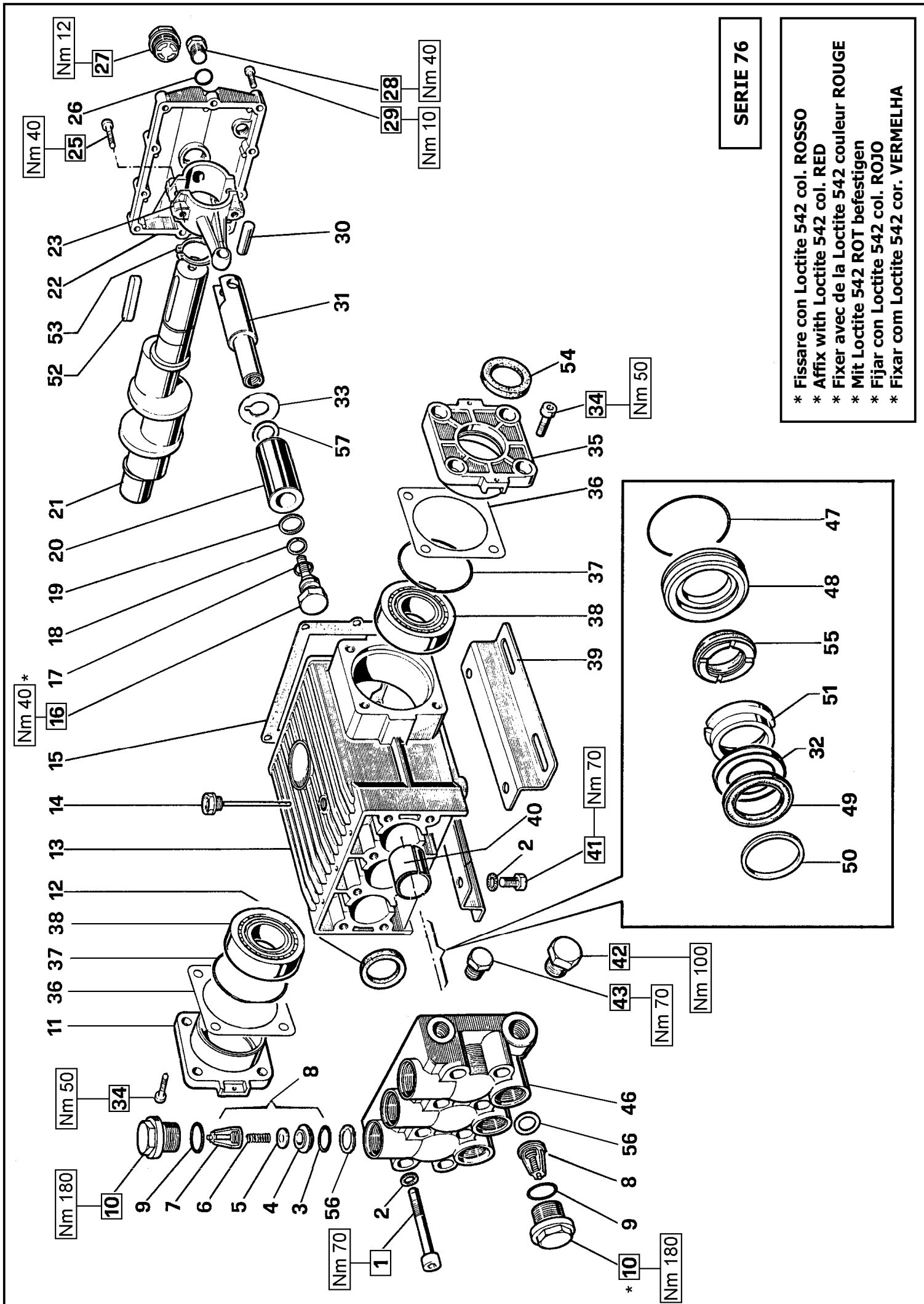
KIT Nr.	PISTONE – PISTON Ø 30						PISTONE – PISTON Ø 45						
	KIT 32	KIT 43	KIT 44	KIT 74	KIT 65	KIT 113	KIT 114	KIT 115	KIT 47	KIT 48	KIT 79	KIT 80	KIT 81
Posizioni include Positions included	54	3-4 5-6-7 (8)	12	16-17 18-19	50	32-49 55	47-48	32-47 48-49 50-51 55	47-48	50	32-49 55	32-47 48-49 50-51 55	32-51
Nr. Pcs.	2	6	3	3	6	3	3	1	6	3	3	1	1

PISTONE – PISTON Ø 30		PISTONE – PISTON Ø 45	
<b>W155 – T1551</b>		<b>W6 – W8 – T61 – T81</b>	

POS	COD.	DESCRIZIONE – DESCRIPTION – KIT	NR
20	76.0400.56 76.0402.09	Pistone Ø 30x70 Pistone Ø 45x70	3 3
21	76.0204.35 76.0205.35	Albero D.PTO - W155-T1551-W8-T81 Albero D.PTO – W6-T61	1 1
22	76.1600.22	Coperchio posteriore carter	1
23	76.0303.01	Biella – Completa	3
25	99.3720.00	Vite M10x45 UNI 5931 – Zinc.	6
26	90.3833.00	OR Ø 13.95x2.62 (3056)	2
27	97.5968.00	Spia livello olio	1
28	98.2100.00	Tappo G3/8"x13	2
29	99.1897.00	Vite M6x25 UNI 5931 – Zinc.	10
30	97.7400.00	Spinotto Ø 14x34.5	3
31	77.0500.54	Guida pistone	3
32	90.2774.00 90.2848.00	Anello RESTOP Ø 30x45x8/4.5 113-115 Anello RESTOP Ø 45x60x6.5/3 79-80-81	3 3
33	96.7568.00	Rosetta Ø 22.3x51x0.5	3
34	99.3652.00	Vite M10x20 UNI 5931	8
35	76.1500.22	Coperchio laterale carter	2
36	76.2200.78	Spessore	4
37	90.4141.00	OR Ø 85.32x3.53 (4337)	2
38	91.8474.00	Cuscinetto a rulli conici	2
39	76.2000.74	Piedino	2

POS	COD.	DESCRIZIONE – DESCRIPTION – KIT	NR
40	90.9172.00 90.9174.00	Boccola Ø 35x39x30 Boccola Ø 35x39x50	6 3
41	99.4266.00	Vite M12x25 UNI 5739 – Zinc.	4
42	98.2325.00	Tappo G 1"x17	1
43	98.2265.00	Tappo G 3/4"x16	1
44	96.7870.00	Rosetta Ø 33.5x38x1.5	1
45	96.7700.00	Rosetta Ø 26.5x32x1.5	1
46	76.1210.41 76.1200.41	Testata Ø 35 Testata Ø 40	1 1
47	90.3903.00	OR Ø 60x2.62 (3237) 47-80-114-115	3
48	76.0800.70 76.0802.70	Anello di fondo Ø 30 Anello di fondo Ø 45	3 3
49	90.2770.00 90.2850.00	Anello ten. alt. Ø 30x45x7.5/4.5 HP Anello ten. alt. Ø 45x60x7.5/4.5 HP	3 3
50	69.1000.51 76.1002.51	Anello di testa Ø 30 Anello di testa Ø 45	3 3
51	69.2167.70 76.2170.70	Anello intermedio Ø 30 Anello intermedio Ø 45	3 3
52	91.4978.00	Linguetta 10x8x55 UNI 7435	2
53	90.0695.00	Anello di arresto Ø 35 UNI 7435	2
54	90.1672.00	Anello rad. Ø 35x52x8	32
55	90.2776.00 90.2855.00	Anello ten. alt. Ø 30x45x9.5 LP Anello ten. alt. Ø 45x60x9 LP	3 3

POS	COD.	DESCRIZIONE – DESCRIPTION – KIT	NR
1	99.4418.00	Vite M12x90 UNI 5931 – Zinc.	8
2	96.7195.00	Rosetta Ø 13x18x1.1	12
3	90.4059.00	OR Ø 32.93x3.53 (4131) – Spec.	43
4	36.2011.66	Sede valvola	43
5	36.2010.76	Valvola	43
6	94.7450.00	Molla Ø 16x27.5	6
7	36.2009.51	Guida valvola	43
8	36.7065.01	Gruppo valvola aspiraz./mand.	43
9	90.4065.00	OR Ø 37.69x3.53 (4150)	6
10	98.2420.00	Tappo M42x1.5x23	6
12	90.1670.00	Anello rad. Ø 35x52x7	44
13	76.0100.22 76.0102.01	Carter pompa – W6-W8-T61-T81 Carter pompa + boccole – W155-T1551	1 1
14	98.2270.00	Tappo carico olio	1
15	76.2119.84	Guarnizione coperchio posteriore	1
16	69.2195.66	Vite fissaggio pistone	74
17	90.3841.00	OR Ø 17.13x2.62 (3068)	74
18	90.5107.00	Anello antiest. Ø17.4x22x1.15	74
19	96.7555.00	Rosetta Ø 22x27x0.5	74



**SERIE 76**

- \* Fissare con Loctite 542 col. ROSSO
- \* Affix with Loctite 542 col. RED
- \* Fixer avec de la Loctite 542 couleur ROUGE
- \* Mit Loctite 542 ROT befestigen
- \* Fijar con Loctite 542 col. ROJO
- \* Fixar com Loctite 542 cor. VERMELHA





# W6CW – W8CW

## KIT RICAMBI – SPARE KITS

KIT Nr.	KIT 32	KIT 41	KIT 43	KIT 44	KIT 74	KIT 188	KIT 190	KIT 266
Posizioni include Positions included	54	50	3-4 5-6-7 (8)	12	16-17 18-19	51	32-49 55	32-47 48-49 50-51 55
Nr. Pcs.	2	3	6	3	3	6	3	1

POS	COD.	DESCRIZIONE – DESCRIPTION - KIT	NR
1	99.4418.00	Vite M12x90 UNI 5931 – Zinc.	8
2	96.7195.00	Rosetta Ø 13x18x1.1	12
3	90.4059.00	OR Ø 32.93x3.53 (4131) – Spec.	43
4	36.2011.66	Sede valvola	43
5	36.2010.76	Valvola	43
6	94.7450.00	Molla Ø 16x27.5	43
7	36.2009.51	Guida valvola	43
8	36.7065.01	Gruppo valvola aspiraz./mand.	43
9	90.4065.00	OR Ø 37.69x3.53 (4150)	6
10	98.2420.00	Tappo M42x1.5x23	6
11	76.1501.22	Coperchio laterale carter	1
12	90.1670.00	Anello rad. Ø 35x52x7	44
13	76.0100.22	Carter pompa	1
14	98.2270.00	Tappo carico olio	1
15	76.2119.84	Guarnizione coperchio posteriore	1
16	69.2195.66	Vite fissaggio pistone	74
17	90.3841.00	OR Ø 17.13x2.62 (3068)	74
18	90.5107.00	Anello antiest. Ø17.4x22x1.15	74
19	96.7555.00	Rosetta Ø 22x27x0.5 74	3
20	69.0400.09	Pistone Ø 36x60	3
21	76.0210.35 76.0211.35	Albero – W8CW Albero – W6CW	1 1

POS	COD.	DESCRIZIONE – DESCRIPTION - KIT	NR
22	76.1600.22	Coperchio posteriore carter	1
23	76.0303.01	Biella – Completa	3
25	99.3720.00	Vite M10x45 UNI 5931 – Zinc.	6
26	90.3833.00	OR Ø 13.95x2.62 (3056)	2
27	97.5968.00	Spia livello olio	1
28	98.2100.00	Tappo G3/8"x13	2
29	99.1897.00	Vite M6x25 UNI 5931 – Zinc.	10
30	97.7400.00	Spinotto Ø 14x34.5	3
31	77.0500.54	Guida pistone	3
32	90.2818.00	Anello RESTOP Ø 36x48x6/3	190-266
33	96.7568.00	Rosetta Ø 22.3x51x0.5	3
34	99.3652.00	Vite M10x20 UNI 5931	8
35	76.1500.22	Coperchio laterale carter	1
36	76.2200.78	Spessore	4
37	90.4141.00	OR Ø 85.32x3.53 (4337)	2
38	91.8472.00	Cuscinetto a rulli conici – Spec.	2
39	76.2000.74	Piedino	2
40	90.9174.00	Boccola Ø 35x39x50	3
41	99.4266.00	Vite M12x25 UNI 5739 – Zinc.	4
42	98.2327.00	Tappo G1" NPT	1
43	98.2267.00	Tappo G3/4" NPT	1
46	76.1251.41	Testata Ø 36	1

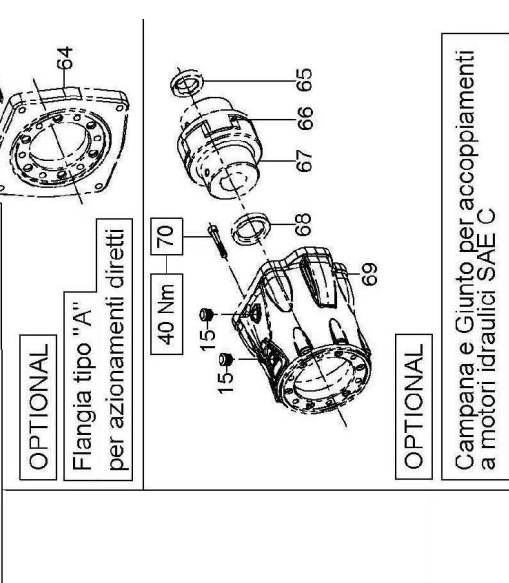
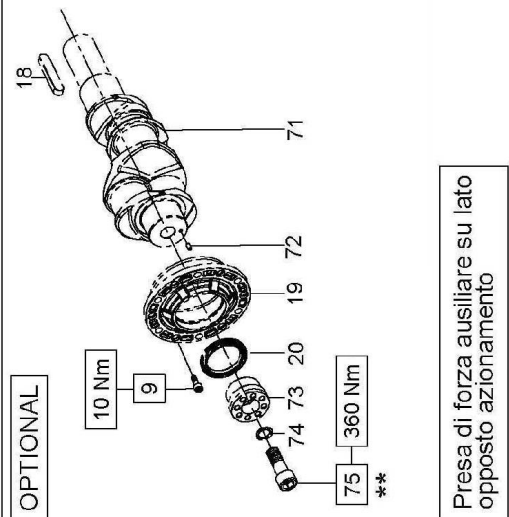
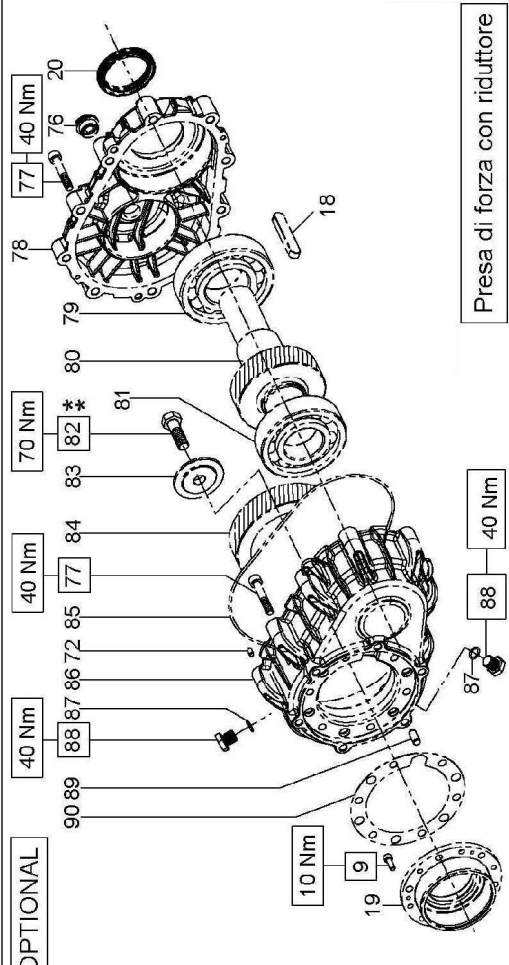
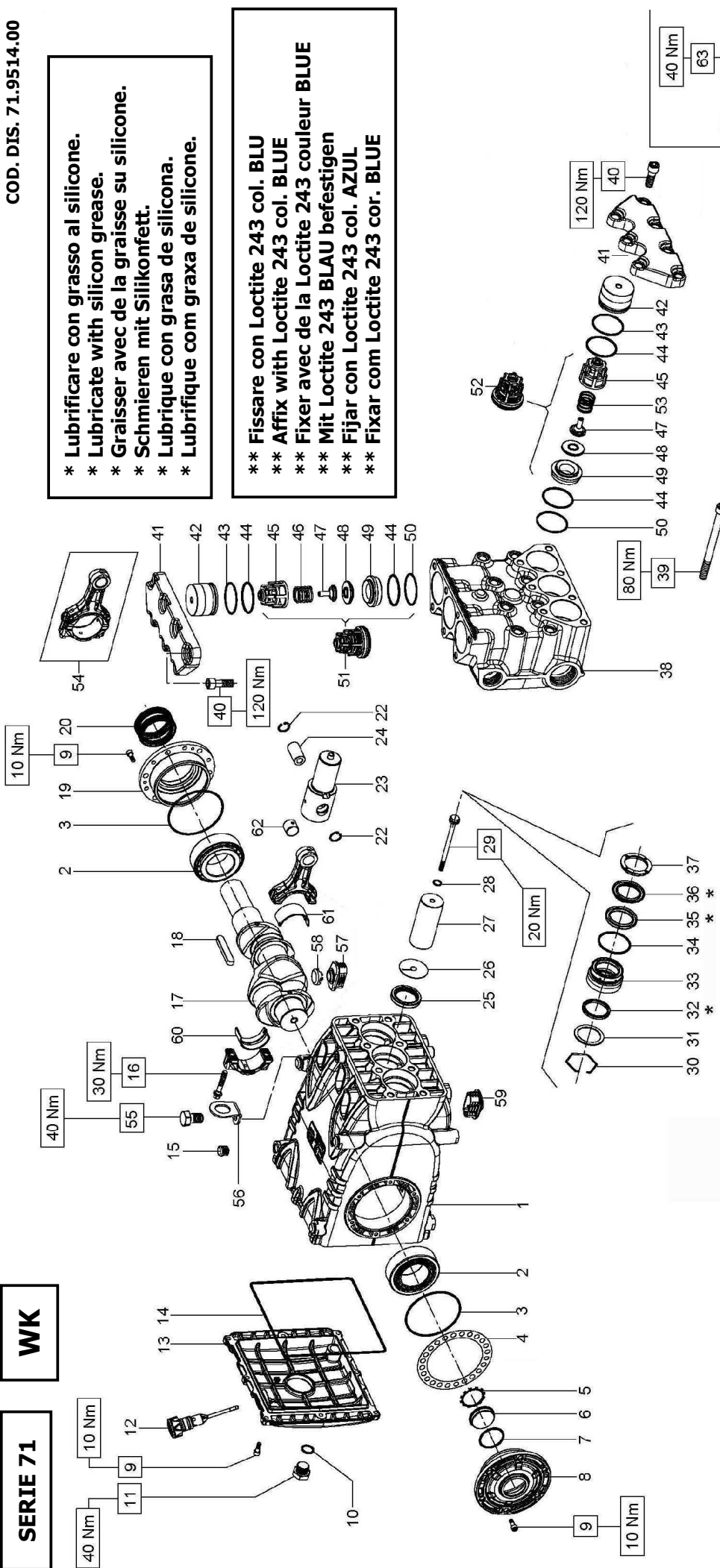
POS	COD.	DESCRIZIONE – DESCRIPTION - KIT	NR
47	90.3903.00	OR Ø 60x2.62 (3237)	266
48	76.0801.70	Anello di fondo Ø 36	266
49	90.2820.00	Anello ten. alt. Ø 36x48x6/3.5 HP 190-266	3
50	69.1002.93	Anello di testa Ø 36	41-266
51	69.2170.70	Anello intermedio Ø 36	188-266
52	91.4978.00	Linguetta 10x8x55 UNI 7435	1
53	90.0695.00	Anello di arresto Ø 35 UNI 7435	1
54	90.1672.00	Anello rad. Ø 35x52x8	32
55	90.2823.00	Anello ten. alt. Ø 36x48x7.5 LP 190-266	3
56	96.7570.00	Rosetta Ø 22.5x39.5x1	6
57	76.2117.70	Distanziale	3

**WK**

**SERIE 71**

\* Lubrificare con grasso al silicone.  
 \* Lubricate with silicon grease.  
 \* Graisser avec de la graisse su silicone.  
 \* Schmierer mit Silikonfett.  
 \* Lubrique con grasa de silicona.  
 \* Lubrifique com graxa de silicone.

\*\* Fissare con Loctite 243 col. BLU  
 \*\* Affix with Loctite 243 col. BLUE  
 \*\* Fixer avec de la Loctite 243 couleur BLUE  
 \*\* Mit Loctite 243 BLAU befestigen  
 \*\* Fijar con Loctite 243 col. AZUL  
 \*\* Fixar com Loctite 243 cor. BLUE



OPTIONAL  
 Flangia tipo "A"  
 per azionamenti diretti

OPTIONAL  
 Presa di forza ausiliare su lato opposto ad azionamento

OPTIONAL  
 Presa di forza con riduttore

OPTIONAL  
 Campana e Giunto per accoppiamenti a motori idraulici SAE C

# WK12 – WK15 - WK159

PISTON Ø 30	PISTON Ø 32	PISTON Ø 36
<b>WK159</b>	<b>WK12</b>	<b>WK15</b>

POS	COD.	DESCRIZIONE – DESCRIPTION – KIT	NR
1	71.0100.22	Carter pompa	1
2	91.8590.00	Cuscinetto a rulli 33210	2
3	90.3918.00	OR Ø 94.92x2.62 (3375) 2017-2222-2019	2
4	71.2200.81	Spessore 0.1 mm.	-
4	71.2203.81	Spessore 0.25 mm.	-
5	90.0756.00	Anello seeger Ø 45 2017-2222-2019	1
6	70.2118.01	Spia livello olio	1
7	90.3877.00	OR Ø 39.34x2.62 (3156) 2017-2222-2019	1
8	71.1501.22	Coperchio cuscinetto lato spia	1
9	99.1867.00	Vite M6x18 UNI 5931	20
10	90.3841.00	OR Ø 17.13x2.62 (3068) 2017-2222-2019	4
11	98.2183.00	Tappo G 1/2"x13 – NICKEL	1
12	98.2120.00	Tappo con asta Ø 21.5x91	1
13	71.1600.22	Coperchio posteriore carter	1
14	90.4000.00	OR Ø 215x3.00 2017-2222-2019	1
15	98.2060.00	Tappo per foro Ø 15	4
16	99.3138.00	Vite serraggio biella	6
17	71.0200.35	Albero ecc.	1
18	91.5000.00	Linguetta 9x8x70 UNI 6604	1
19	71.1500.22	Coperchio cuscinetto lato PTO	1
20	90.1700.00	Anello rad. Ø 50x65x8 2017-2222-2019	1
22	90.0606.00	Anello seeger Ø 20	6
23	71.0500.15	Guida pistone	3
24	97.7430.00	Spinotto Ø 20x38	3
25	90.1678.00	Anello rad. Ø 38x52x7/8.5 2017-2222-2019	3



## KIT RICAMBI – SPARE KITS

KIT NR.	KIT 2012	KIT 2013	KIT 2135 2154 - 2155	PISTONE – PISTON Ø 30			PISTONE – PISTON Ø 32			PISTONE – PISTON Ø 36			
				KIT 2016	KIT 2017	KIT 2066	KIT 2222	KIT 2018	KIT 2019				
Posizioni include Positions included	44 – 45 47 – 48 49 – 50 53 (52)	44 – 45 46 – 47 48 – 49 50 (51)	60 – 61	32 – 34 35 – 36	3 – 5 – 7 – 10 14 – 20 – 25 28 – 32 – 34 35 – 36 – 37 43 – 44 – 50	32 – 34 35 – 36	3 – 5 – 7 – 10 14 – 20 – 25 28 – 32 – 34 35 – 36 – 37 43 – 44 – 50	32 – 34 35 – 36	3 – 5 – 7 – 10 14 – 20 – 25 28 – 32 – 34 35 – 36 – 37 43 – 44 – 50	3	1	3	1
Nr. Pcs.	3	3	3	3	1	3	1	3	1	3	1	3	1

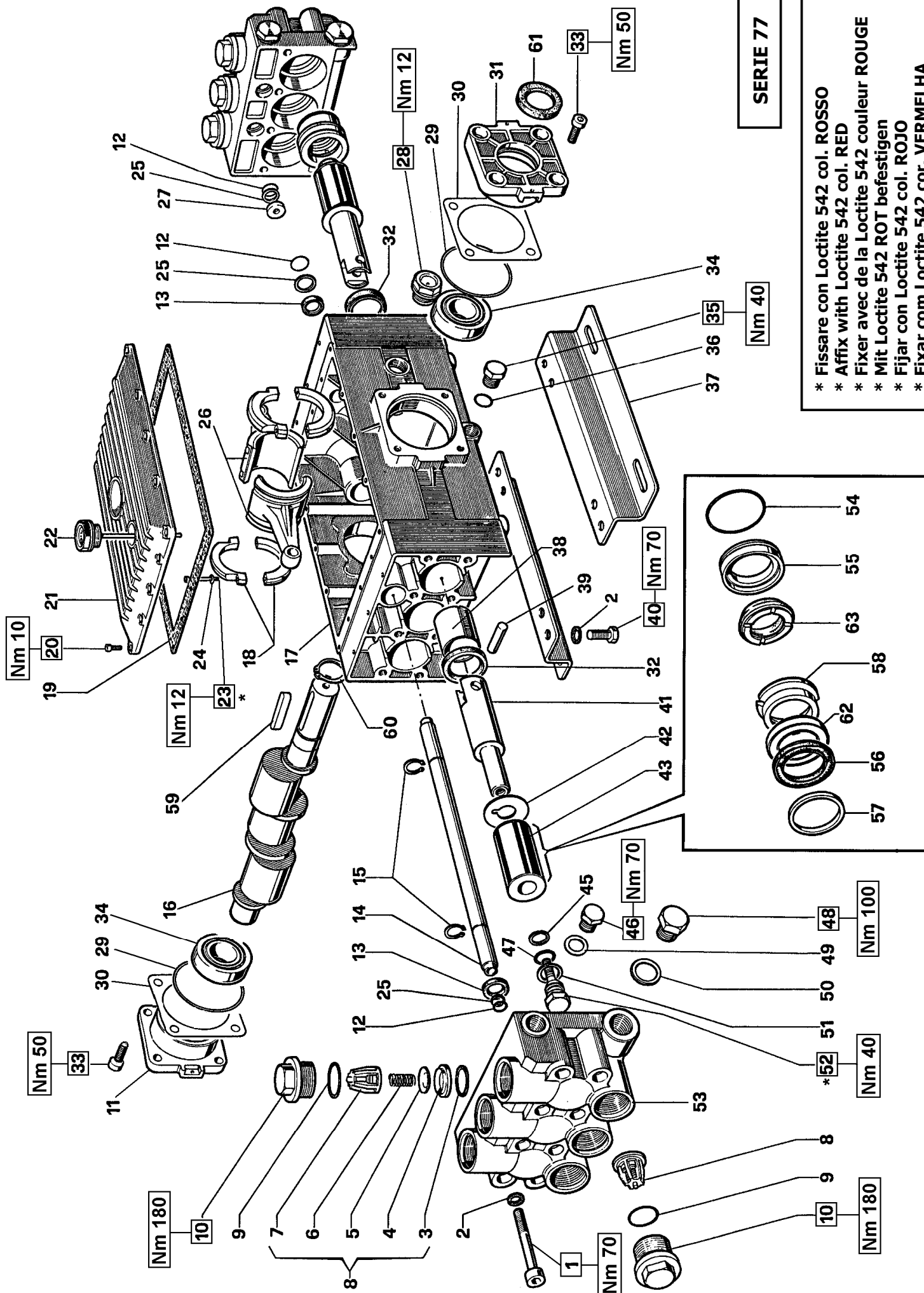
POS	COD.	DESCRIZIONE – DESCRIPTION – KIT	NR
26	90.7140.00	Rosetta Ø 10x50x1	3
27	71.0403.09	Pistone Ø 30x95	3
27	71.0404.09	Pistone Ø 36x95	3
27	72.0400.09	Pistone Ø 32x95	3
28	90.3671.00	OR Ø 11.00x2.00 2017-2222-2019	3
29	71.2195.66	Vite fissaggio pistone	3
30	90.0797.00	Anello di fermo Ø 52	3
31	71.2177.70	Anello per tenuta Ø 30	3
31	72.2105.70	Anello per tenuta Ø 32	3
31	71.2180.70	Anello per tenuta Ø 36	3
32	90.2760.00	An. ten. alt. Ø 30x38x5.5 LP 2016-2017	3
32	90.2780.00	An. ten. alt. Ø 32x40x5.5 LP 2066-2222	3
32	90.2800.00	An. ten. alt. Ø 36x40x6 LP 2018-2019	3
33	71.2153.70	Supporto guarnizioni Ø 30	3
33	71.2104.70	Supporto guarnizioni Ø 32	3
33	71.2154.70	Supporto guarnizioni Ø 36	3
34	90.3891.00	OR Ø 52.07x2.62 (3206) 2016-2017-2066-2222-2018-2019	3
35	90.2774.00	Anello RESTOP Ø 30x45x8/4.5 2016-2017	3
35	90.2784.00	Anello RESTOP Ø 32x44x5.5/3 2066-2222	3
35	90.2818.00	Anello RESTOP Ø 36x45x6/3 2018-2019	3
36	90.2770.00	An. ten. alt. Ø 30x45x7.5/4.5 HP 2016-2017	3
36	90.2788.00	An. ten. alt. Ø 32x44x6/3.5 HP 2066-2222	3
36	90.2820.00	An. ten. alt. Ø 36x48x6/3.5 HP 2018-2019	3
37	70.1004.51	Anello di testa Ø 30	2017
37	72.1000.51	Anello di testa Ø 32	2222
37	71.1002.51	Anello di testa Ø 36	2019
38	71.1290.15	Testata per pistone Ø 30	1
38	71.1291.15	Testata per pistone Ø 30 - NPT	1
38	71.1292.15	Testata per pistone Ø 32	1
38	71.1293.15	Testata per pistone Ø 32 - NPT	1
38	71.1294.15	Testata per pistone Ø 36	1
38	71.1295.15	Testata per pistone Ø 36 - NPT	1
39	99.4480.00	Vite M12x150 UNI 5931	8

POS	COD.	DESCRIZIONE – DESCRIPTION – KIT	NR
40	99.4295.00	Vite M12x35 UNI 5931	14
41	71.2274.15	Coperchio valvole	2
42	71.2111.70	Tappo valvole aspirazioe / mandata	6
43	90.5250.00	Anello antiest. Ø 50.9x55x1.5 2017-2222-2019	6
44	90.3889.00	OR Ø 48.89x2.62 (3193) 2012-2013-2017-2222-2019	12
45	36.2045.51	Guida valvola	2012-2013
46	94.7550.00	Molla Ø 25.2x26	2013
47	36.2086.51	Guida valvola interna	2012-2013
48	36.2085.02	Valvola sferica	2012-2013
49	36.2041.56	Sede valvola	2012-2013
50	90.5240.00	Anello antiest. Ø 49.5x44x4.5 2012-2013-2017-2222-2019	6
51	36.7137.01	Gr. valvola di mandata	2013
52	36.7136.01	Gr. valvola d'aspirazione	2012
53	94.7540.00	Molla Ø 24.7x27	2012
54	71.0307.01	Biella completa	3
55	99.4266.00	Vite M12x25 UNI 5739	1
56	71.2230.74	Staffa di sollevamento	1
57	71.2258.51	Tappo carter	3
58	71.2259.51	Cappuccio tappo carter	3
59	71.2258.51	Tappo carter	3
60	90.9243.00	Semibocc. testa biella – Inf.	2135
60	90.9244.00	Semibocc. testa biella +0.25 – Inf.	2154
60	90.9245.00	Semibocc. testa biella +0.50 – Inf.	2155
61	90.9240.00	Semibocc. testa biella – Sup.	2135
61	90.9241.00	Semibocc. testa biella +0.25 – Sup.	2154
61	90.9242.00	Semibocc. testa biella +0.50 – Sup.	2155
62	90.9110.00	Boccola piede biella	3

AZIONAMENTI SPECIALI – SPECIAL DRIVES		
RIDUTTORE GEARBOX		
9	Vite M6x18 UNI 5931	6
18	Linguetta 9x8x70 UNI 6604	1
19	Coperchio cuscinetto lato PTO	1
20	Anello rad. Ø 50x65x8	1
72	Spina Ø 5x10	1
76	Spia livello olio G 1/2"	1
77	Vite M8x50 UNI 5931	16
78	Coperchio scatola riduttore	1
79	Cuscinetto a sfere 6310	1
80	Pignone Z27 R.1.250 elicoidale Pignone Z25 R.1.500 elicoidale Pignone Z22 R.1.830 elicoidale	1 1 1
81	Cuscinetto a sfere 6309	1
82	Vite M12x40 UNI 5739	1
83	Rondella fissaggio corona	1
84	Corona Z34 R.1.250 elicoidale Corona Z37 R.1.500 elicoidale Corona Z40 R.1.830 elicoidale	1 1 1
85	OR Ø 209.22x2.62 (2-172)	1
86	Scatola riduttore	1
87	OR Ø 10.82x1.78 (2043)	2
88	Tappo G 1/4"x13	2
89	Spina Ø 8x18	1
90	Guarnizione scatola riduttore	1

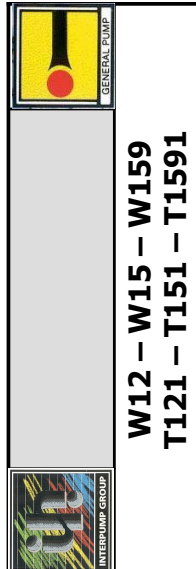
AZIONAMENTI SPECIALI – SPECIAL DRIVES		
AZIONAMENTO DIRETTO CON FLANGIA TIPO A DIRECT DRIVE WITH FLANGE TYPE A		
63	Vite M8x35 UNI 5931	6
64	Flangia motore idraulico tipo A	1
AZIONAMENTO IDRAULICO CON CAMPANA E GIUNTO SAE-C HYDRAULIC DRIVE WITH FLANGE AND FLEXIBLE COUPLING SAE-C		
15	Tappo per foro Ø 15	2
65	Distanziale Ø 31.75 H.10.5	1
66	Elemento elastico	1
67	Giunto elastico Ø 40x31.75	1
68	Distanziale Ø 40 H.10	1
69	Flangia motore idraulico SAE-C	1
70	Vite M8x50 UNI 5931	6
AZIONAMENTO CON PRESA DI FORZA AUSILIARE DRIVE WITH AUXILIARY PTO		
9	Vite M6x18 UNI 5931	6
18	Linguetta 9x8x70 UNI 6604	1
19	Coperchio cuscinetto lato PTO	1
20	Anello rad. Ø 50x65x8	1
71	Albero ecc. doppio PTO	1
72	Spina Ø 5x10	1
73	Dispositivo doppio PTO	1
74	Rosetta Ø 17x24x1	1
75	Vite M16x45 UNI 5931	1





**SERIE 77**

\* Fissare con Loctite 542 col. ROSSO  
 \* Affix with Loctite 542 col. RED  
 \* Fixer avec de la Loctite 542 couleur ROUGE  
 \* Mit Loctite 542 ROT befestigen  
 \* Fijar con Loctite 542 col. ROJO  
 \* Fixar com Loctite 542 cor. VERMELHA



**W12 – W15 – W159  
T121 – T151 – T1591**

<b>PISTONE-PISTON Ø 30</b>	
<b>W159 – T1591</b>	<b>PISTONE-PISTON Ø 45</b>
<b>W12 - W15 - T151 - T151</b>	

**KIT RICAMBI – SPARE KITS**

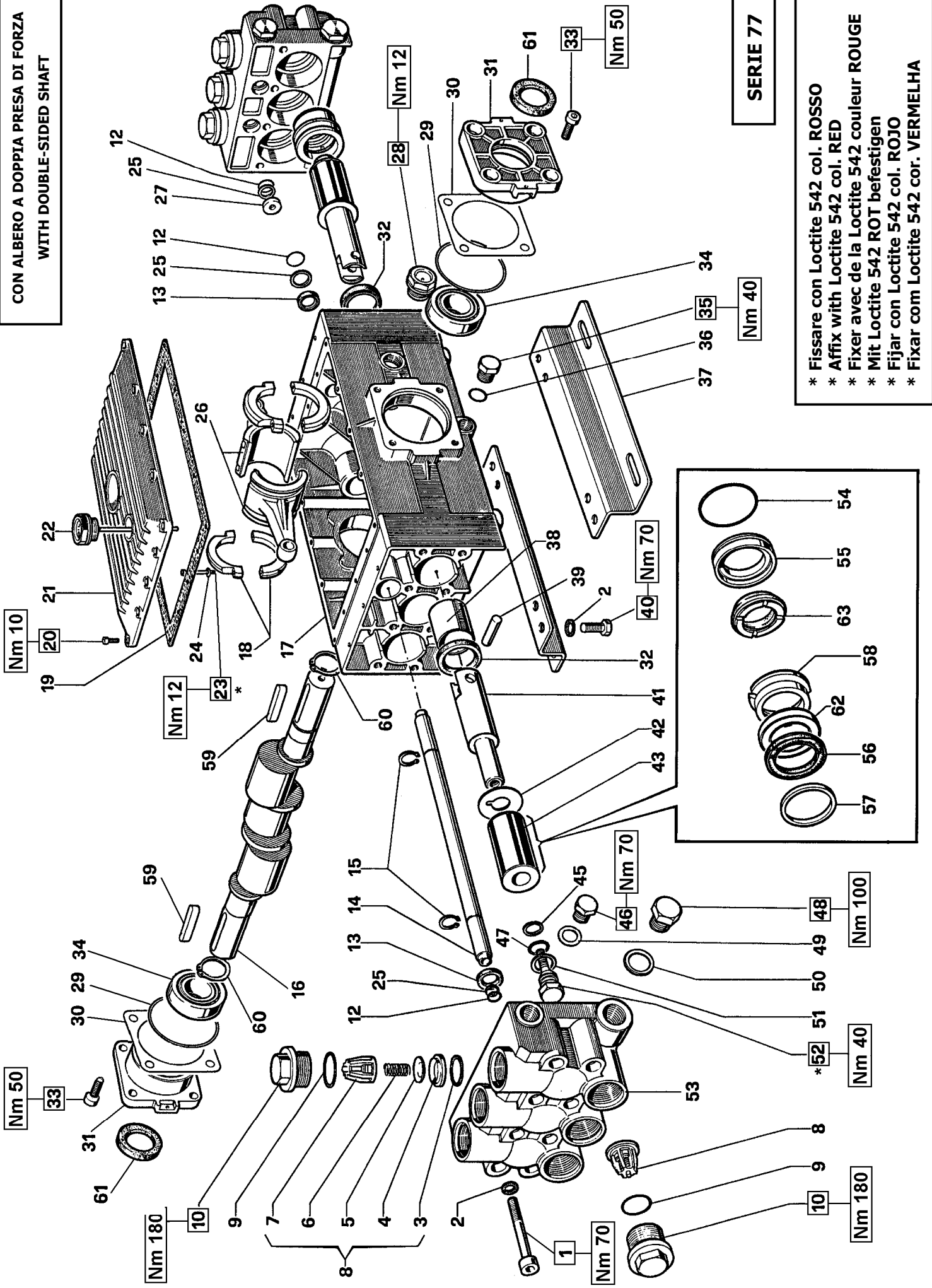
KIT Nr.	PISTONE – PISTON Ø 45						PISTONE – PISTON Ø 30							
	KIT 32	KIT 43	KIT 44	KIT 74	KIT 47	KIT 48	KIT 79	KIT 80	KIT 81	KIT 65	KIT 66	KIT 113	KIT 114	KIT 115
Posizioni Include Positions included	61	3 - 4 5 - 6 7 (8)	32	45 - 47 51 - 52	54 - 55 57 56 - 62 63	57	56 - 62 63	54 - 55 56 - 57 58 - 62 63	58 - 62	57	58	56 - 62 63	54 - 55 56 - 57 58 - 62 63	58 - 62 54 - 55 56 - 57 58 - 62 63
Nr. Pcs.	2	6	3	3	3	6	3	1	3	6	3	3	3	1

POS	COD.	DESCRIZIONE – DESCRIPTION – KIT	NR
43	76.0402.09 76.0400.56	Pistone Ø 45 Pistone Ø 30	6 6
45	90.5107.00	Anello antiest. Ø 17.4x22x1.5	74
46	98.2265.00	Tappo G 3/4"x16	3
47	90.3841.00	OR Ø 17.13x2.62 (3068)	74
48	98.2325.00	Tappo G 1"x17	2
49	96.7700.00	Rosetta Ø 26.5x32x1.5	3
50	96.7870.00	Rosetta Ø 33.5x38x1.5	2
51	96.7555.00	Rosetta Ø 22x27x0.5	74
52	69.2195.66	Vite fissaggio pistone	74
53	77.1200.41 77.1210.41	Testata Ø 45 Testata Ø 30	2 2
54	90.3903.00	OR Ø 60x2.62 (3237)	47-80-114-115
55	76.0802.70 76.0800.70	Anello di fondo Ø 45 Anello di fondo Ø 30	47-80 114-115
56	90.2850.00 90.2770.00	Anello ten. alt. Ø 45x60x7.5/4.5 HP Anello ten. alt. Ø 30x45x7.5/4.5 HP	79-80 113-115
57	76.1002.51 69.1000.51	Anello di testa Ø 45 Anello di testa Ø 30	48-80 65-115
58	76.2170.70 69.2167.70	Anello intermedio Ø 45 Anello intermedio Ø 30	80-81 66-115
59	91.4978.00	Linguetta 10x8x55 UNI 6604	1
60	90.0695.00	Anello d'arresto Ø 35 UNI 7435	1
61	90.1672.00	Anello rad. Ø 35x52x8	32
62	90.2848.00 90.2774.00	Anello RESTOP Ø 45x60x5/3 Anello RESTOP Ø 30x45x8/4.5	79-80-81 113-115
63	90.2855.00 90.2776.00	Anello ten. alt. Ø 45x60x9 LP Anello ten. alt. Ø 30x45x9.5 LP	79-80 113-115

POS	COD.	DESCRIZIONE – DESCRIPTION – KIT	NR
21	77.2114.22	Coperchio superiore carter	1
22	98.2272.00	Tappo carico olio G 3/4"	1
23	99.1927.00	Vite M6x35 UNI 5931	12
24	96.6938.00	Rosetta Ø 6.4x10x0.7	12
25	90.5091.00	Anello antiest. Ø 15.8x20x1.9	4
26	77.0302.41	Coppia di bielle	3
27	77.2203.70	Tappo per condotto mandata	2
28	97.5968.00	Spia livello olio G 3/4"	1
29	90.4141.00	OR Ø 85.32x3.53 (4337)	2
30	76.2200.78	Spessore	4
31	76.1500.22	Coperchio laterale carter	1
32	90.1670.00	Anello rad. Ø 35x52x7	44
33	99.3652.00	Vite M10x20 UNI 5931	8
34	91.8474.00	Cuscinetto a rulli conici	2
35	98.2100.00	Tappo G 3/8"x13	1
36	90.3833.00	OR Ø 13.95x2.62 (3056)	1
37	76.2000.74	Piedino	2
38	90.9174.00 90.9172.00	Boccola Ø 35x39x50 Boccola Ø 35x39x30 – W159-T1591	6 12
39	97.7400.00	Spinotto Ø 14x34.5	6
40	99.4266.00	Vite M12x25 UNI 5739 – Zinc.	4
41	77.0500.54	Guida Pistone	6
42	96.7568.00	Rosetta Ø 22.3x51 0.5	6

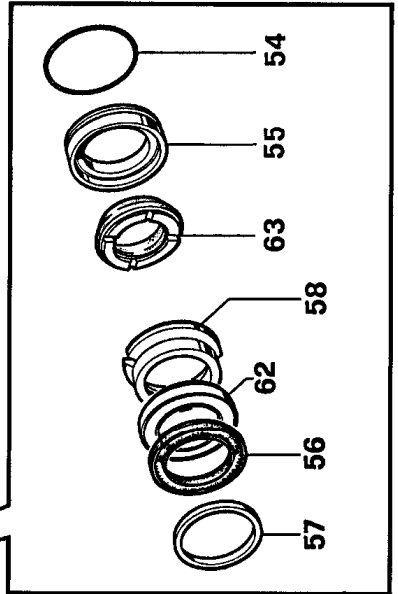
POS	COD.	DESCRIZIONE – DESCRIPTION – KIT	NR
1	99.4418.00	Vite M12x90 UNI 5931 – Zinc.	16
2	96.7195.00	Rosetta Ø 13x18x1.1	20
3	90.4059.00	OR Ø 32.93x3.53 (4131) – Spec.	43
4	36.2011.66	Sede valvola	43
5	36.2010.76	Valvola	43
6	94.7450.00	Molla Ø 16x27.5	43
7	36.2009.51	Guida valvola	43
8	36.7065.01	Gruppo valvola aspiraz./mand.	43
9	90.4065.00	OR Ø 37.69x3.53 (4150)	12
10	98.2420.00	Tappo M42x1.5x23	12
11	76.1501.22	Coperchio laterale carter	1
12	90.3835.00	OR Ø 15.08x2.62 (119)	4
13	90.1614.00	Anello rad. Ø 20x30x5	4
14	77.2122.93	Tubo di collegamento mandata	1
15	90.0605.00	Anello d'arresto Ø 20 UNI 7435	2
16	76.0210.35 76.0211.35	Albero – W15-T151-W159-T1591 Albero – W12-T121	1 1
17	77.0100.22 77.0102.01	Carter pompa Carter pompa + boccole – W159-T1591	1 1
18	77.2120.01	Anello serraggio bielle	6
19	77.2118.84	Guarnizione coperchio superiore	1
20	99.1867.00	Vite M6x18 UNI 5931 – Zinc.	16

CON ALBERO A DOPPIA PRESA DI FORZA  
WITH DOUBLE-SIDED SHAFT



SERIE 77

\* Fissare con Loctite 542 col. ROSSO  
 \* Affix with Loctite 542 col. RED  
 \* Fixer avec de la Loctite 542 couleur ROUGE  
 \* Mit Loctite 542 ROT befestigen  
 \* Fijar con Loctite 542 col. ROJO  
 \* Fixar com Loctite 542 cor. VERMELHA





# W12 – W15 T121 – T151



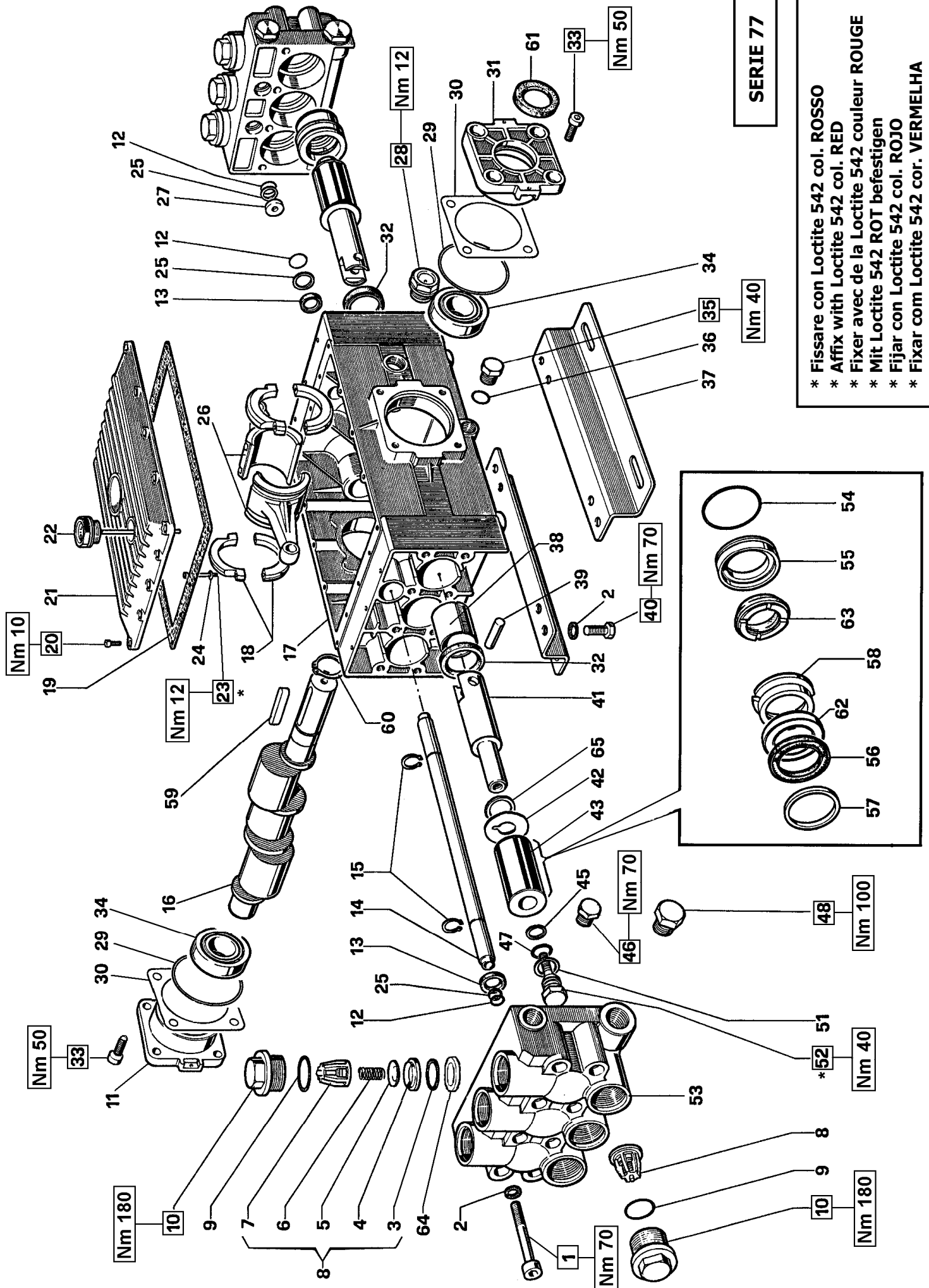
## KIT RICAMBI – SPARE KITS

KIT Nr.	KIT 32	KIT 43	KIT 44	KIT 47	KIT 48	KIT 74	KIT 79	KIT 80	KIT 81
Posizioni include Positions included	61	3 - 4 5 - 6 - 7 (8)	32	54 - 55	57	45 - 47 51 - 52	56 - 62 63	54 - 55 56 - 57 58 - 62 63	58 - 62
Nr. Pcs.	2	6	3	3	6	3	3	1	3

POS	COD.	DESCRIZIONE – DESCRIPTION - KIT	NR
1	99.4418.00	Vite M12x90 UNI 5931 – Zinc.	16
2	96.7195.00	Rosetta Ø 13x18x1.1	20
3	90.4059.00	OR Ø 32.93x3.53 (4131) – Spec.	43
4	36.2011.66	Sede valvola	43
5	36.2010.76	Valvola	43
6	94.7450.00	Molla Ø 16x27.5	43
7	36.2009.51	Guida valvola	43
8	36.7065.01	Gruppo valvola aspiraz./mand.	43
9	90.4065.00	OR Ø 37.69x3.53 (4150)	12
10	98.2420.00	Tappo M42x1.5x23	12
12	90.3835.00	OR Ø 15.08x2.62 (119)	4
13	90.1614.00	Anello rad. Ø 20x30x5	4
14	77.2122.93	Tubo di collegamento mandata	1
15	90.0605.00	Anello d'arresto Ø 20 UNI 7435	2
16	76.0204.35 76.0205.35	Albero D.P.TO – W15-T151 Albero D.P.TO – W12-T121	1 1
17	77.0100.22	Carter pompa	1
18	77.2120.01	Anello serraggio bielle	6
19	77.2118.84	Guarnizione coperchio superiore	1
20	99.1867.00	Vite M6x18 UNI 5931 – Zinc.	16
21	77.2114.22	Coperchio superiore carter	1
22	98.2272.00	Tappo carico olio G 3/4"	1

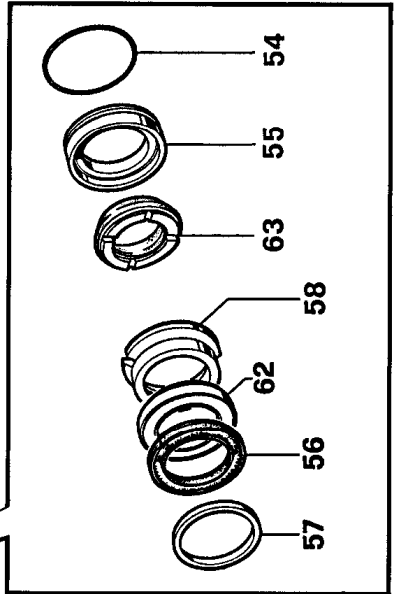
POS	COD.	DESCRIZIONE – DESCRIPTION - KIT	NR
46	98.2265.00	Tappo G 3/4"x16	3
47	90.3841.00	OR Ø 17.13x2.62 (3068)	74
48	98.2325.00	Tappo G 1"x17	2
49	96.7700.00	Rosetta Ø 26.5x32x1.5	3
50	96.7870.00	Rosetta Ø 33.5x38x1.5	2
51	96.7555.00	Rosetta Ø 22x27x0.5	74
52	69.2195.66	Vite fissaggio pistone	74
53	77.1200.41	Testata Ø 45	2
54	90.3903.00	OR Ø 60x2.62 (3237)	47-80
55	76.0802.70	Anello di fondo Ø 45	47-80
56	90.2850.00	Anello ten. alt. Ø 45x60x7.5/4.5 HP 79-80	6
57	76.1002.51	Anello di testa Ø 45	48-80
58	76.2170.70	Anello intermedio Ø 45	80-81
59	91.4978.00	Linguetta 10x8x55 UNI 6604	2
60	90.0695.00	Anello d'arresto Ø 35 UNI 7435	2
61	90.1672.00	Anello rad. Ø 35x52x8	32
62	90.2848.00	Anello RESTOP Ø 45x60x5/3	79-80-81
63	90.2855.00	Anello ten. alt. Ø 45x60x9 LP	79-80

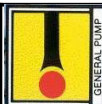
POS	COD.	DESCRIZIONE – DESCRIPTION - KIT	NR
23	99.1927.00	Vite M6x35 UNI 5931	12
24	96.6938.00	Rosetta Ø 6.4x10x0.7	12
25	90.5091.00	Anello antiest. Ø 15.8x20x1.9	4
26	77.0302.41	Coppia di bielle	3
27	77.2203.70	Tappo per condotto mandata	2
28	97.5968.00	Spia livello olio G 3/4"	1
29	90.4141.00	OR Ø 85.32x3.53 (4337)	2
30	76.2200.78	Spessore	4
31	76.1500.22	Coperchio laterale carter	2
32	90.1670.00	Anello rad. Ø 35x52x7	44
33	99.3652.00	Vite M10x20 UNI 5931	8
34	91.8474.00	Cuscinetto a rulli conici	2
35	98.2100.00	Tappo G 3/8"x13	1
36	90.3833.00	OR Ø 13.95x2.62 (3056)	1
37	76.2000.74	Piedino	2
38	90.9174.00	Boccola Ø 35x39x50	6
39	97.7400.00	Spinotto Ø 14x34.5	6
40	99.4266.00	Vite M12x25 UNI 5739 – Zinc.	4
41	77.0500.54	Guida Pistone	6
42	96.7568.00	Rosetta Ø 22.3x51 0.5	6
43	76.0402.09	Pistone Ø 45	6
45	90.5107.00	Anello antiest. Ø 17.4x22x1.5	74



**SERIE 77**

- \* Fissare con Loctite 542 col. ROSSO
- \* Affix with Loctite 542 col. RED
- \* Fixer avec de la Loctite 542 couleur ROUGE
- \* Mit Loctite 542 ROT befestigen
- \* Fijar con Loctite 542 col. ROJO
- \* Fixar com Loctite 542 cor. VERMELHA





# W158CW

## KIT RICAMBI – SPARE KITS

KIT Nr.	KIT 32	KIT 41	KIT 43	KIT 44	KIT 74	KIT 188	KIT 190	KIT 266
Posizioni incluse Positions included	61	57	3 - 4 5 - 6 7 (8)	32	45 - 47 51 - 52	58	56 - 62 63	54 - 55 56 - 57 58 - 62 63
Nr. Pcs.	2	6	6	3	3	3	3	1

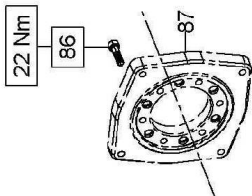
POS	COD.	DESCRIZIONE – DESCRIPTION - KIT	NR
1	99.4418.00	Vite M12x90 UNI 5931 – Zinc.	16
2	96.7195.00	Rosetta Ø 13x18x1.1	20
3	90.4059.00	OR Ø 32.93x3.53 (4131) – Spec.	43
4	36.2011.66	Sede valvola	43
5	36.2010.76	Valvola	43
6	94.7450.00	Molla Ø 16x27.5	43
7	36.2009.51	Guida valvola	43
8	36.7065.01	Gruppo valvola aspiraz./mand.	43
9	90.4065.00	OR Ø 37.69x3.53 (4150)	12
10	98.2420.00	Tappo M42x1.5x23	12
11	76.1501.22	Coperchio laterale carter	1
12	90.3835.00	OR Ø 15.08x2.62 (119)	4
13	90.1614.00	Anello rad. Ø 20x30x5	4
14	77.2122.93	Tubo di collegamento mandata	1
15	90.0605.00	Anello d'arresto Ø 20 UNI 7435	2
16	76.0210.35	Albero	1
17	77.0100.22	Carter pompa	1
18	77.2120.01	Anello serraggio bielle	6
19	77.2118.84	Guarnizione coperchio superiore	1
20	99.1867.00	Vite M6x18 UNI 5931 – Zinc.	16
21	77.2114.22	Coperchio superiore carter	1
22	98.2273.00	Tappo con asta G 3/4"x116	1

POS	COD.	DESCRIZIONE – DESCRIPTION – KIT	NR
23	99.1927.00	Vite M6x35 UNI 5931	12
24	96.6938.00	Rosetta Ø 6.4x10x0.7	12
25	90.5091.00	Anello antiest. Ø 15.8x20x1.9	4
26	77.0302.41	Coppia di bielle	3
27	77.2203.70	Tappo per condotto mandata	2
28	97.5968.00	Spia livello olio G 3/4"	1
29	90.4141.00	OR Ø 85.32x3.53 (4337)	2
30	76.2200.78	Spessore	4
31	76.1500.22	Coperchio laterale carter	1
32	90.1670.00	Anello rad. Ø 35x52x7	44
33	99.3652.00	Vite M10x20 UNI 5931	8
34	91.8472.00	Cuscinetto a rulli conici	2
35	98.2100.00	Tappo G 3/8"x13	1
36	90.3833.00	OR Ø 13.95x2.62 (3056)	1
37	76.2000.74	Piedino	2
38	90.9174.00	Boccola Ø 35x39x50	6
39	97.7400.00	Spinotto Ø 14x34.5	6
40	99.4266.00	Vite M12x25 UNI 5739 – Zinc.	4
41	77.0500.54	Guida Pistone	6
42	96.7568.00	Rosetta Ø 22.3x51 0.5	6
43	69.0400.09	Pistone Ø 36x60	6
45	90.5107.00	Anello antiest. Ø 17.4x22x1.5	74

POS	COD.	DESCRIZIONE – DESCRIPTION - KIT	NR
46	98.2267.00	Tappo G3/4" NPT	3
47	90.3841.00	OR Ø 17.13x2.62 (3068)	74
48	98.2327.00	Tappo G1" NPT	2
51	96.7555.00	Rosetta Ø 22x27x0.5	74
52	69.2195.66	Vite fissaggio pistone	74
53	77.1251.41	Testata Ø 36 - NPT	2
54	90.3903.00	OR Ø 60x2.62 (3237)	266
55	76.0801.70	Anello di fondo Ø 36	266
56	90.2820.00	Anello ten. alt. Ø36x48x6/3.5 HP 190-266	6
57	69.1002.93	Anello di testa Ø 36	41-266
58	69.2170.70	Anello intermedio Ø 36	188-266
59	91.4978.00	Linguetta 10x8x55 UNI 6604	1
60	90.0695.00	Anello d'arresto Ø 35 UNI 7435	1
61	90.1672.00	Anello rad. Ø 35x52x8	32
62	90.2818.00	Anello RESTOP Ø 36x48x6/3	190-266
63	90.2823.00	Anello ten. alt. Ø 36x48x7.5 LP	190-266
64	96.7570.00	Rosetta Ø 22.5x39.5x1	12
65	76.2114.70	Distanziale	6

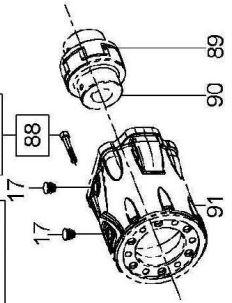
Flangia tipo "A" per azionamenti diretti

OPTIONAL



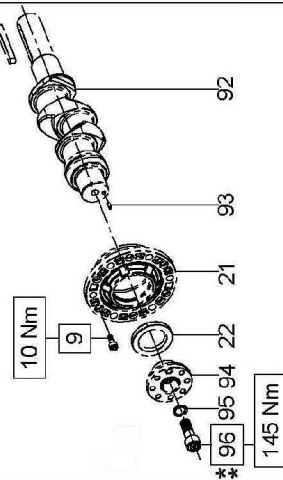
Campana e Giunto per accoppiamenti a motori idraulici SAE C

OPTIONAL



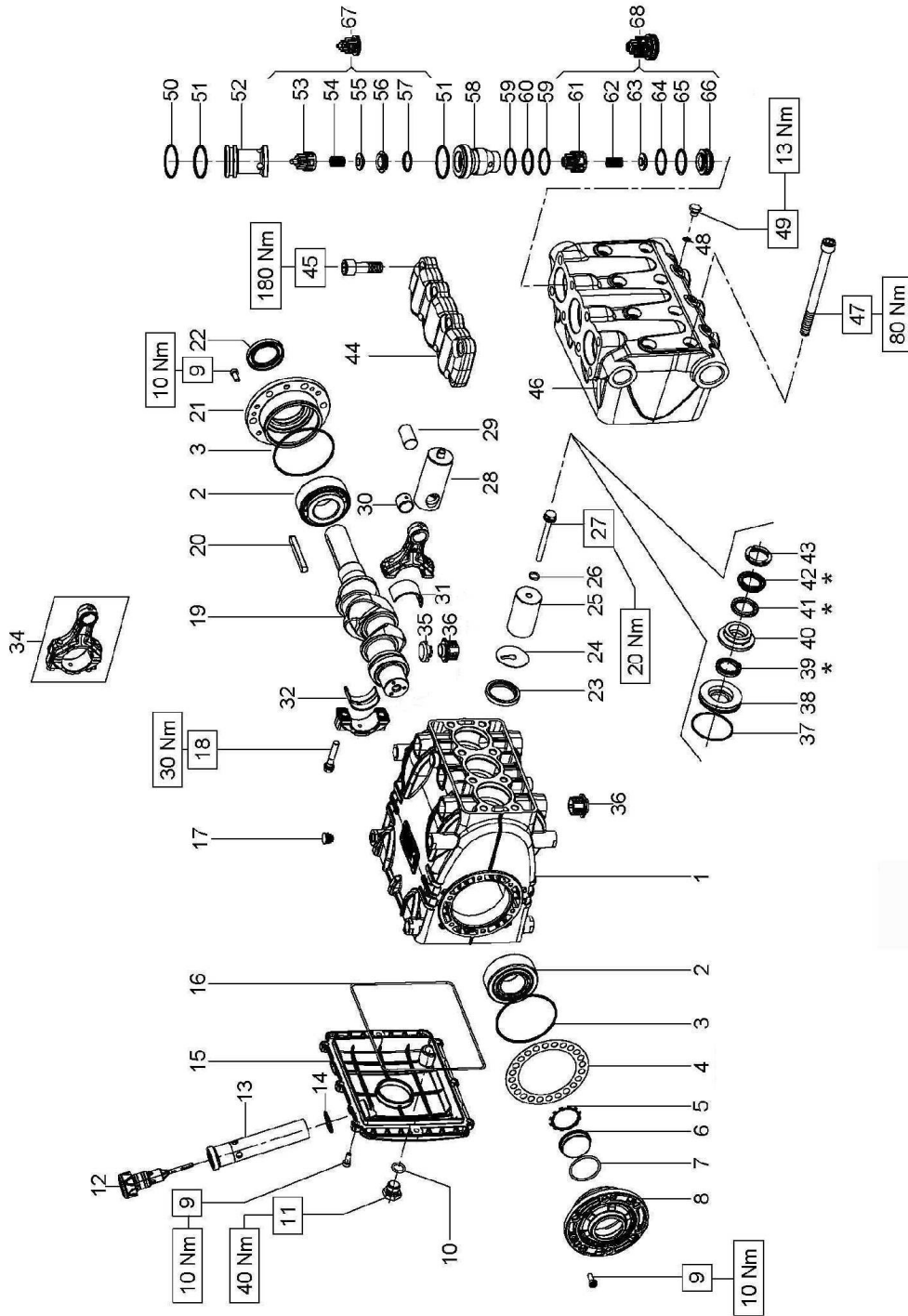
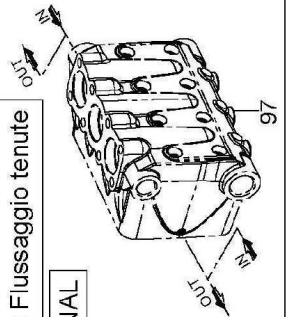
Presa di forza ausiliare su lato opposto azionamento

OPTIONAL



Sistema Flussaggio tenute

OPTIONAL



- \* Lubrificare con grasso al silicone.
- \* Lubricate with silicon grease.
- \* Graisser avec de la graisse su silicone.
- \* Schmierem mit Siilikonfett.
- \* Lubrique con grasa de silicona.
- \* Lubrifique com graxa de silicone.

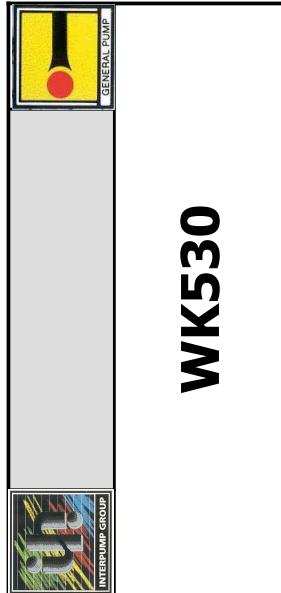
- \*\* Fissare con Loctite 243 col. BLU
- \*\* Affix with Loctite 243 col. BLUE
- \*\* Fixer avec de la Loctite 243 couleur BLUE
- \*\* Mit Loctite 243 BLAU befestigen
- \*\* Fijar con Loctite 243 col. AZUL
- \*\* Fixar com Loctite 243 cor. BLUE

SISTEMA FLUSSAGGIO TENUTE  
FLUSHING SYSTEM

WK

SERIE 70

COD. DIS. 70.9513.00



# WK530

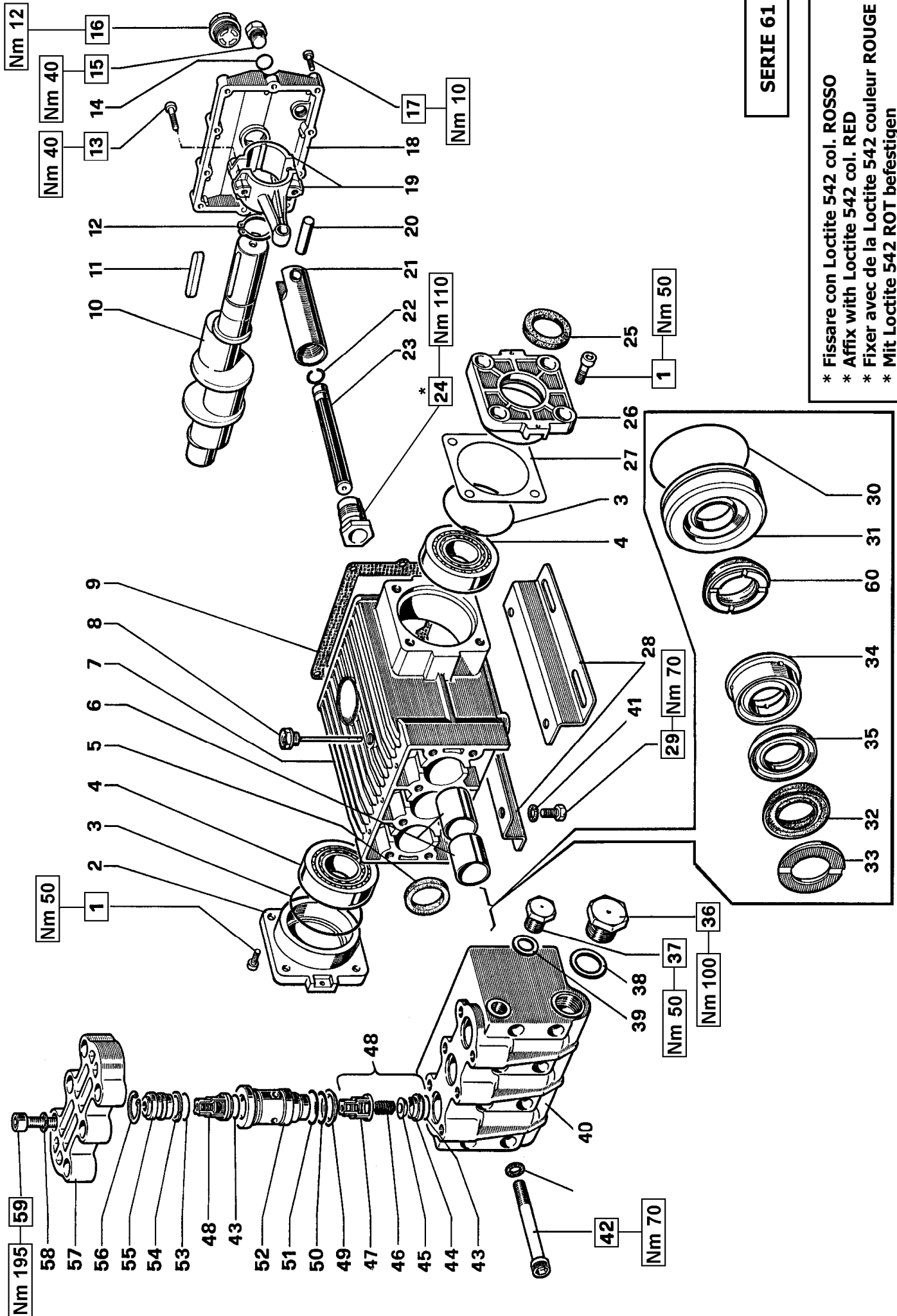
## KIT RICAMBI – SPARE KITS

KIT NR.	KIT 2228	KIT 2031	KIT 150	KIT 2231	KIT 2156 2157-2158
Posizioni incluse Positions included	37 - 39 41 - 42	61 - 62 - 63 64 - 65 - 66 (68)	53 - 54 55 - 56 57 (67)	3 - 5 - 7 - 10 - 14 16 - 22 - 23 - 26 37 - 39 - 41 - 42 48 - 50 - 51 - 57 59 - 60 - 64 - 65	31 - 32
Nr. Pcs.	3	3	6	1	3

POS	COD.	DESCRIZIONE - DESCRIPTION - KIT	NR
1	70.0100.22	Carter pompa	1
2	91.8477.00	Cuscinetto a rulli 33207	2
3	90.3915.00	OR Ø 80.6x2.62 (3318)	2
4	70.2200.81	Spessore 0.1 mm.	-
4	70.2203.81	Spessore 0.25 mm.	-
5	90.0756.00	Anello seeger Ø 45	2232 1
6	70.2118.01	Spia livello olio	1
7	90.3877.00	OR Ø 39.34x2.62 (3156)	2232 1
8	70.1501.22	Coperchio cuscinetto lato spia	1
9	99.1854.00	Vite M6x16 UNI 5931	20
10	90.3833.00	OR Ø 13.95x2.62 (3056)	2232 1
11	98.2099.00	Tappo G 3/8"x13 - NICKEL	1
12	98.2115.00	Tappo con asta Ø 21.5x70	1
13	72.2106.95	Tube per asta livello olio	1
14	90.3604.00	OR Ø 25.12x1.78 (2100)	2232 1
15	70.1606.22	Coperchio posteriore carter	1
16	90.3944.00	ORØ196.52x2.62 (3775)	2232 1
17	98.2005.00	Tappo per foro Ø 15	5
18	99.3123.00	Vite serraggio biella	6
19	70.0206.35	Albero ecc.	1
20	91.4900.00	Linguetta 8x7x70 UNI 6604	1
21	70.1500.22	Coperchio cuscinetto lato PTO	1
22	90.1668.00	Anello rad. Ø 35x52x7	2232 1
23	90.1677.00	Anello rad. Ø 36x47x6/7.5	2232 3
24	96.7099.00	Rosetta Ø 10x45x1	3
25	70.0411.09	Pistone Ø 18x63	3
26	90.3584.00	OR Ø 10.82x1.78 (2043)	2232 3
27	70.2241.36	Vite fissaggio pistone	3



POS	COD.	DESCRIZIONE - DESCRIPTION - KIT	NR
28	70.0500.15	Guida pistone	3
29	97.7420.00	Spinotto Ø 18x36	3
30	90.9100.00	Boccola piede biella	3
31	90.9220.00	Semiboc. testa biella - Sup. 2156	3
31	90.9221.00	Semiboc. testa biella +0.25 - Sup. 2157	3
31	90.9222.00	Semiboc. testa biella +0.50 - Sup. 2158	3
32	90.9223.00	Semiboc. testa biella - Inf. 2156	3
32	90.9224.00	Semiboc. testa biella +0.25 - Inf. 2157	3
32	90.9225.00	Semiboc. testa biella +0.50 - Inf. 2158	3
34	70.0305.11	Biella - Completa	3
35	71.2259.51	Cappuccio tappo carter	3
36	70.2225.51	Tappo carter	6
37	90.3626.00	OR Ø 50.52x1.78 (2200)	2228-2232 3
38	70.0818.66	Anello di fondo Ø 18	3
39	90.2648.00	Anello ten.alt. Ø18x26.5.5 LP 2228-2232	3
40	70.2246.66	Anello intermedio Ø 18	3
41	90.2687.00	Anello RESTOP Ø 18x32x6.2/3 2228-2232	3
42	90.2686.00	Anello ten.alt.Ø18x32x7/4.5 HP 2228-2232	3
43	71.1000.51	Anello di testa pistone Ø 18	3
44	70.2240.36	Coperchio valvole	1
45	90.4850.00	Vite M14x40 UNI 4762	8
46	70.1256.36	Testata pompa Ø 18	1
46	70.1259.36	Testata pompa Ø 18 - NPT	1
47	99.3828.00	Vite M10x140 UNI 5931	8
48	90.3576.00	OR Ø 6.75x1.78 (106)	2232 3
49	98.1972.00	Tappo G 1/8"x8	3
50	90.5177.50	Anello antiest. Ø 30.9x35x1.5	2232 3
51	90.3866.00	OR Ø 29.82x2.62 (3118)	2232 6
52	90.2243.66	Tappo Ø 35	3

POS	COD.	DESCRIZIONE - DESCRIPTION - KIT	NR
53	36.2025.51	Guida valvola	0150 3
54	94.7376.00	Molla Ø 9.4x14.8	0150 3
55	36.2032.66	Valvola sferica	0150 3
56	36.2003.66	Sede valvola	0150 3
57	90.3841.00	OR Ø 17.30x2.62 (3068)	0150-2232 3
58	70.2242.66	Bussola valvola	3
59	90.5165.00	Anello antiest. Ø 24.7x29x1.5	2232 6
60	90.3858.00	OR Ø 23.81x2.62 (132)	2232 3
61	36.2103.05	Guida valvola	2031 3
62	94.7397.00	Molla Ø 11.4x20	2031 3
63	36.2050.66	Valvola asferica	2031 3
64	90.3856.00	OR Ø 23.47x2.62 (3093)	2031-2232 3
65	90.5155.00	Anello antiest. Ø 23.9x28x2	2031-2232 3
66	36.2049.66	Sede valvola	2031 3
67	36.7121.01	Gr. Valvola apirazione	0150 3
68	36.7144.01	Gr. Valvola di mandata	2031 3
AZIONAMENTO DIRETTO CON FLANGIA TIPO A			
86	99.3484.00	Vite M8x30 UNI 5931	6
87	10.0673.20	Flangia motore idraulico tipo A	1
AZIONAMENTO IDRAULICO CON CAMPANA E GIUNTO SAE-B			
17	98.2005.00	Tappo per foro Ø 15	2
88	99.3136.00	Vite M8x45 UNI 5931	6
89	10.0755.47	Elemento elastico giunto Ø 46	1
90	10.7430.01	Giunto elastico Ø 30x25.4	1
91	10.0752.20	Flangia motore idraulico SAE-B	1
AZIONAMENTO CON PRESA DI FORZA AUSILIARE			
9	99.1854.00	Vite M6x16 UNI 5931	6
20	91.4900.00	Linguetta 8x7x70 UNI 6604	1
21	70.1500.22	Coperchio cuscinetto lato PTO	1
22	90.1668.00	Anello rad. Ø 35x52x7	1
92	70.0205.35	Albero ecc. doppio PTO	1
93	97.6152.00	Spina Ø 5x10	1
94	70.2234.54	Dispositivo doppio PTO	1
95	96.7160.00	Rosetta Ø 12x18x1	1
96	99.4295.00	Vite M12x35 UNI 5931	1



**SERIE 61**

- \* Fissare con Loctite 542 col. ROSSO
- \* Affix with Loctite 542 col. RED
- \* Fixer avec de la Loctite 542 couleur ROUGE
- \* Mit Loctite 542 ROT befestigen
- \* Fijar con Loctite 542 col. ROJO
- \* Fixar com Loctite 542 cor. VERMELHA

# W425 – T4251

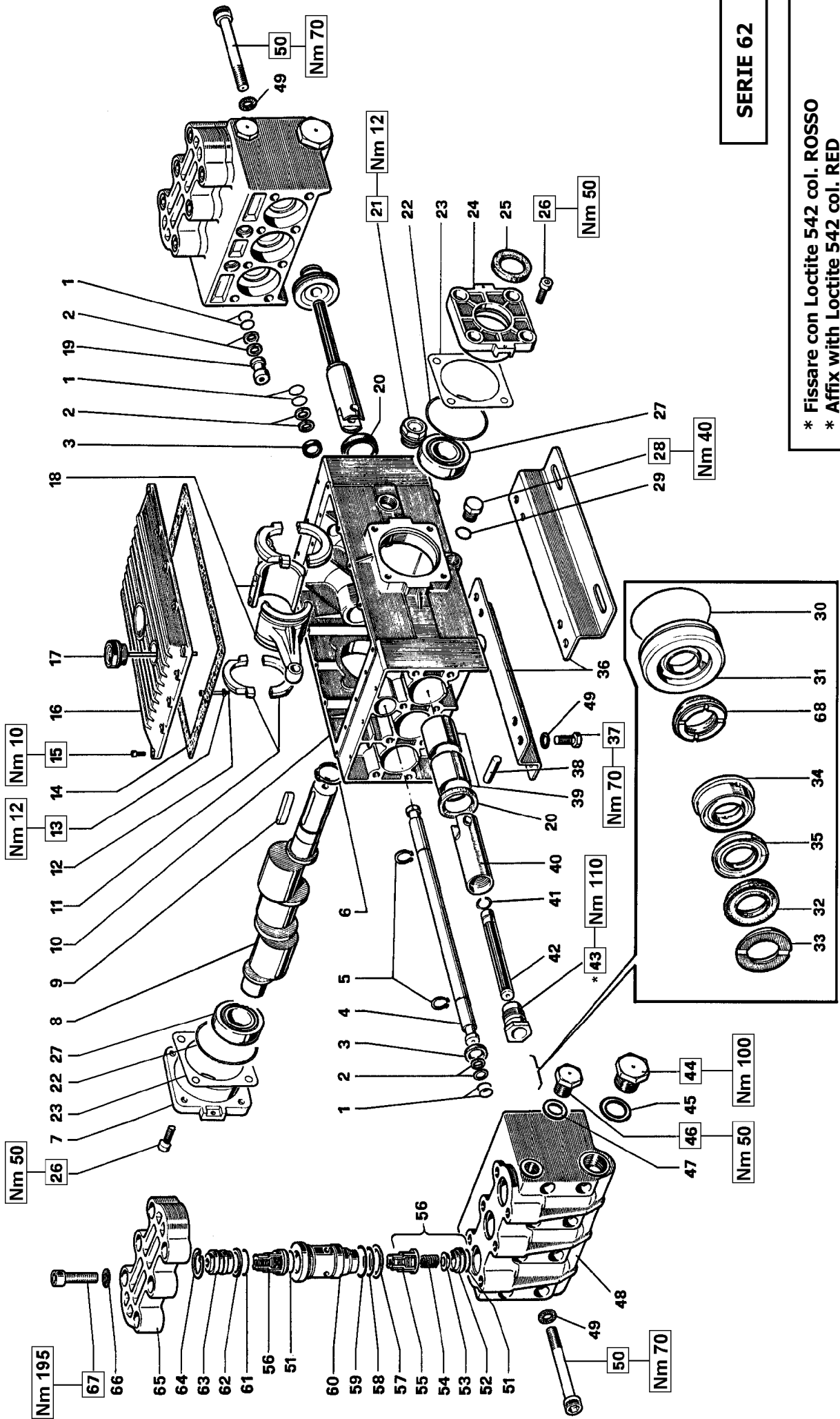
POS	COD.	DESCRIZIONE – DESCRIPTION - KIT	NR
1	99.3652.00	Vite M10x20 UNI 5931	8
2	76.1501.22	Coperchio laterale carter	1
3	90.4141.00	OR Ø 85.32x3.53 (4337)	2
4	91.8474.00	Cuscinetto a rulli conici	2
5	90.1670.00	Anello rad. Ø 35x52x7	44
6	90.9172.00	Boccola Ø 35x39x30	6
7	76.0102.01	Carter pompa + boccole	1
8	98.2270.00	Tappo carico olio G3/4"	1
9	76.2119.84	Guarnizione coperchio	1
10	76.0210.35	Albero Ø 35	1
11	91.4978.00	Linguetta 10x8x55 UNI 6604	1
12	90.0695.00	Anello d'arresto Ø 35 UNI 7435	1
13	99.3720.00	Vite M10x45 UNI 5931 – Zinc.	6
14	90.3833.00	OR Ø 13.95x2.62 (3056)	1
15	98.2100.00	Tappo G3/8"x13	1
16	97.5968.00	Spia livello olio G 3/4"	1
17	99.1897.00	Vite M6x25 UNI 5931 – Zinc.	10
18	76.1600.22	Coperchio posteriore carter	1
19	76.0303.01	Biella - Completa	3
20	97.7400.00	Spinotto Ø 14x34.5	3
21	61.0500.66	Guida pistone	3
22	90.0115.00	Anello di fermo	3

POS	COD.	DESCRIZIONE – DESCRIPTION – KIT	NR
23	61.0400.56	Pistone Ø 20x115	3
24	61.2195.66	Vite fissaggio pistone	3
25	90.1672.00	Anello rad. Ø 35x52x8	32
26	76.1500.22	Coperchio laterale carter	1
27	76.2200.78	Spessore	4
28	76.2000.74	Piedino	2
29	99.4266.00	Vite M12x25 UNI 5739 – Zinc.	4
30	90.3903.00	OR Ø 60x2.62 (3237)	76-78
31	61.0800.70	Anello di fondo Ø 20	76-78
32	90.2705.00	Anello ten. alt. Ø 20x35x7.5/4.5 HP 77-78	3
33	47.1000.51	Anello di testa Ø 20	7-78
34	61.2160.70	Anello intermedio Ø 20	75-78
35	90.2709.00	Anello RESTOP Ø 20x35x8/4.5	77-78
36	98.2325.00	Tappo G1"x17 – Zinc.	2
37	98.2178.00	Tappo G1/2"x16 – Zinc.	2
38	96.7870.00	Rosetta Ø 33.5x38x1.5	1
39	96.7514.00	Rosetta Ø 21.5x27x1.5	1
40	61.1202.41	Testata Ø 20 – NICKEL	1
41	96.7195.00	Rosetta Ø 13x18x1.1	12
42	99.4465.00	Vite M12x130 UNI 5931 – Zinc.	8
43	90.3850.00	OR Ø 21.89x2.62 (3087)	122
44	36.2024.66	Sede valvola	122

POS	COD.	DESCRIZIONE – DESCRIPTION – KIT	NR
45	36.2013.66	Valvola	122
46	94.7394.00	Molla Ø 10.7x22.5	122
47	36.2023.51	Guida valvola	122
48	36.7114.01	Gruppo valvola aspiraz./mand.	122
49	90.5181.00	Anello antiest. Ø 33x39x3	3
50	90.4057.00	OR Ø 31.34x3.53 (4125)	3
51	90.3871.00	OR Ø 34.6x2.62 (3137)	3
52	61.2177.66	Bussola valvola	3
53	90.3855.00	OR Ø 23.47x2.62 (3093)	3
54	90.5154.00	Anello antiest. Ø 23.7x28x2	3
55	61.2176.70	Tappo valvola di mandata	3
56	90.0670.00	Anello d'arresto Ø 30 UNI 7437	3
57	61.2182.41	Coperchio valvole	1
58	96.7300.00	Rosetta Ø 15x22x1.2	6
59	99.4860.00	Vite M14x50 UNI 5931 – Zinc.	6
60	90.2710.00	Anello ten. alt. Ø 20x35x8.7 LP	77-78

KIT Nr.	KIT 7	KIT 32	KIT 44	KIT 75	KIT 76	KIT 77	KIT 78	KIT 122
Posizioni include Positions included	33	25	5	34	30 - 31	32 - 35 60	30 - 31 32 - 33 34 - 35 60	43 - 44 45 - 46 47 (48)
Nr. Pcs.	6	2	3	3	3	3	1	6

## KIT RICAMBI – SPARE KITS



**SERIE 62**

- \* Fissare con Loctite 542 col. ROSSO
- \* Affix with Loctite 542 col. RED
- \* Fixer avec de la Loctite 542 couleur ROUGE
- \* Mit Loctite 542 ROT befestigen
- \* Fijar con Loctite 542 col. ROJO
- \* Fixar com Loctite 542 cor. VERMELHA





# W355 T3551

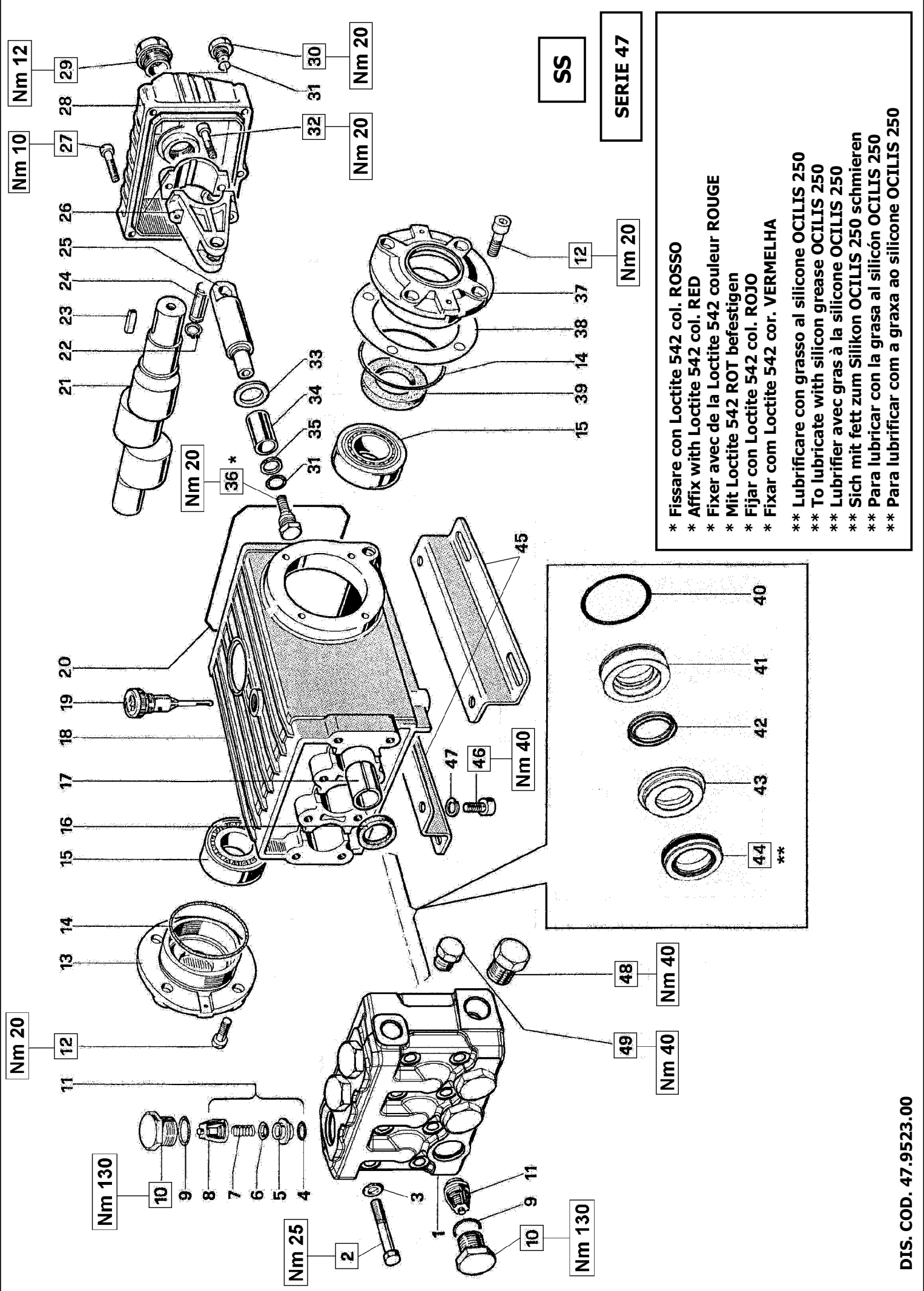
## KIT RICAMBI – SPARE KITS

KIT Nr.	KIT 7	KIT 32	KIT 44	KIT 75	KIT 76	KIT 77	KIT 78	KIT 122
Posizioni incluse Positions included	33	25	20	34	30 - 31	32 - 35 68	30 - 31 32 - 33 34 - 35 68	51 - 52 53 - 54 55 (56)
Nr. Pcs.	6	2	3	3	3	3	1	6

POS	COD.	DESCRIZIONE – DESCRIPTION - KIT	NR
1	90.3835.00	OR Ø 15.08x2.62 (119)	8
2	90.5090.00	Anello antiest. Ø 15.8x20x1.3	8
3	90.1614.00	Anello rad. Ø 20x30x5	4
4	62.2123.92	Tube di collegamento mandata	1
5	90.0605.00	Anello d'arresto Ø 20 UNI 7435	2
6	90.0695.00	Anello d'arresto Ø 35 UNI 7435	1
7	76.1501.22	Coperchio laterale carter	1
8	76.0210.35	Albero Ø 35	1
9	91.4978.00	Linguetta 10x8x55 UNI 6604	1
10	77.0102.01	Carter pompa + boccole	1
11	77.2120.01	Anello serraggio bielle	6
12	99.1927.00	Vite M6x35 UNI 5931	12
13	96.6938.00	Rosetta Ø 6,4x10x0,7	12
14	77.2118.84	Guarnizione coperchio superiore	1
15	99.1867.00	Vite M6x18 UNI 5931 – Zinc.	16
16	77.2114.22	Coperchio superiore carter	1
17	98.2272.00	Tappo carico olio G 3/4"	1
18	77.0302.41	Coppia di bielle	3
19	62.2130.70	Tappo per condotto mandata	2
20	90.1670.00	Anello rad. Ø 35x52x7	44
21	97.5968.00	Spia livello olio G 3/4"	1
22	90.4141.00	OR Ø 85.32x3.53 (4337)	2

POS	COD.	DESCRIZIONE – DESCRIPTION – KIT	NR
23	76.2200.78	Spessore	4
24	76.1500.22	Coperchio laterale carter	1
25	90.1672.00	Anello rad. Ø 35x52x8	32
26	99.3652.00	Vite M10x20 UNI 5931	8
27	91.8474.00	Cuscinetto a rulli conici	2
28	98.2100.00	Tappo G 3/8"x13	1
29	90.3833.00	OR Ø 13.95x2.62 (3056)	1
30	90.3903.00	OR Ø 60x2.62 (3237)	76-78
31	61.0800.70	Anello di fondo Ø 20	76-78
32	90.2705.00	Anello ten. alt. Ø 20x35x7,5/4,5 HP 77-78	6
33	47.1000.51	Anello di testa Ø 20	7-78
34	61.2160.70	Anello intermedio Ø 20	75-78
35	90.2709.00	Anello RESTOP Ø 20x35x8/4,5	77-78
36	76.2000.74	Piedino	2
37	99.4266.00	Vite M12x25 UNI 5739 – Zinc.	4
38	97.7400.00	Spinotto Ø14x34,5	6
39	90.9172.00	Boccola Ø 35x39x30	12
40	61.0500.66	Guida pistone	6
41	90.0115.00	Anello di fermo	3
42	61.0400.56	Pistone Ø 20x115	6
43	61.2195.66	Vite fissaggio pistone	6
44	98.2325.00	Tappo G 1"x17 – Zinc.	2

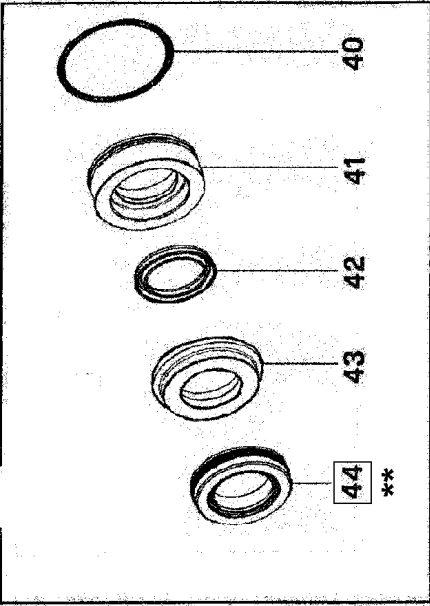
POS	COD.	DESCRIZIONE – DESCRIPTION – KIT	NR
45	96.7870.00	Rosetta Ø 33.5x38x1.5	2
46	98.2178.00	Tappo G 1/2"x16 – Zinc.	3
47	96.7514.00	Rosetta Ø 21.5x27x1.5	3
48	62.1202.41	Testata Ø 20 – NICKEL	2
49	96.7195.00	Rosetta Ø 13x18x1.1	20
50	99.4465.00	Vite M12x130 UNI 5931 – Zinc.	16
51	90.3850.00	OR Ø 21.89x2.62 (3087)	122
52	36.2024.66	Sede valvola	122
53	36.2013.66	Valvola	122
54	94.7394.00	Molla Ø 10,7x22,5	122
55	36.2023.51	Guida valvola	122
56	36.7114.01	Gruppo valvola aspiraz./mand.	122
57	90.5181.00	Anello antiest. Ø 33x39x3	6
58	90.4057.00	OR Ø 31.34x3.53 (4125)	6
59	90.3871.00	OR Ø 34.6x2.62 (3137)	6
60	61.2177.66	Bussola valvola	6
61	90.3855.00	OR Ø 23.47x2.62 (3093)	6
62	90.5154.00	Anello antiest. Ø 23,7x28x2	6
63	61.2176.70	Tappo valvola di mandata	6
64	90.0670.00	Anello d'arresto Ø 30 UNI 7437	6
65	61.2182.41	Coperchio valvole	2
66	96.7300.00	Rosetta Ø 15x22x1.2	12
67	99.4860.00	Vite M14x50 UNI 5931 – Zinc.	12
68	90.2710.00	Anello ten. alt. Ø 20x35x8,7 LP	77-78



SS

SERIE 47

\*\* Fissare con Loctite 542 col. ROSSO  
 \* Affix with Loctite 542 col. RED  
 \* Fixer avec de la Loctite 542 couleur ROUGE  
 \* Mit Loctite 542 ROT befestigen  
 \* Fijar con Loctite 542 col. ROJO  
 \* Fixar com Loctite 542 cor. VERMELHA  
 \*\* Lubrificare con grasso al silicone OCILIS 250  
 \*\* To lubricate with silicon grease OCILIS 250  
 \*\* Lubrifier avec gras à la silicone OCILIS 250  
 \*\* Sich mit fett zum Silikon OCILIS 250 schmieren  
 \*\* Para lubricar con la grasa al silicón OCILIS 250  
 \*\* Para lubrificar com a graxa ao silicone OCILIS 250





**SSE2013 – SSE2015  
SSE1518 – SSE2021  
SSU2015 – SSU2018  
SSU1521**

<b>PISTONE – PISTON Ø20</b>		<b>PISTONE – PISTON Ø22</b>	
<b>SSE2013 – SSE2015 SSE2021 – SSU2015 SSU2018</b>	<b>SSE1518 – SSU1521</b>		

<b>PISTONE – PISTON Ø20</b>		<b>PISTONE – PISTON Ø22</b>	
<b>SSE2013 – SSE2015 SSE2021 – SSU2015 SSU2018</b>	<b>SSE1518 – SSU1521</b>		

POS	COD.	DESCRIZIONE – DESCRIPTION – KIT	NR
1	47.1219.36	Testata Ø 20-22 – INOX	1
2	99.3207.00	Vite M8x70 UNI 5737 - INOX	8
3	96.7022.00	Rosetta Ø 8 UNI 1736 - INOX	8
4	90.3841.00	OR Ø 17.13x2.62 (3068)	6
5	36.2036.66	Sede valvola – INOX	192
6	36.2001.76	Valvola	192
7	94.7373.00	Molla Ø 9.4x14.8 – INOX	192
8	36.2025.51	Guida valvola	192
9	90.3847.00	OR Ø 20.24x2.62 (3081) – 90 Sh.	6
10	98.2230.00	Tappo M24x2x16.7 – INOX	6
11	36.7130.01	Gruppo valvola aspiraz. / mand.	192
12	99.3038.00	Vite M8x16 UNI 5931 – INOX	8
13	47.1511.22	Coperchio cuscinetto	1
14	90.3913.00	OR Ø 67.95x2.62 (3268)	2
15	91.8378.00	Cuscinetto a rulli 32206	2
16	90.1625.00	Anello rad. Ø 22x32x6.5	2 3

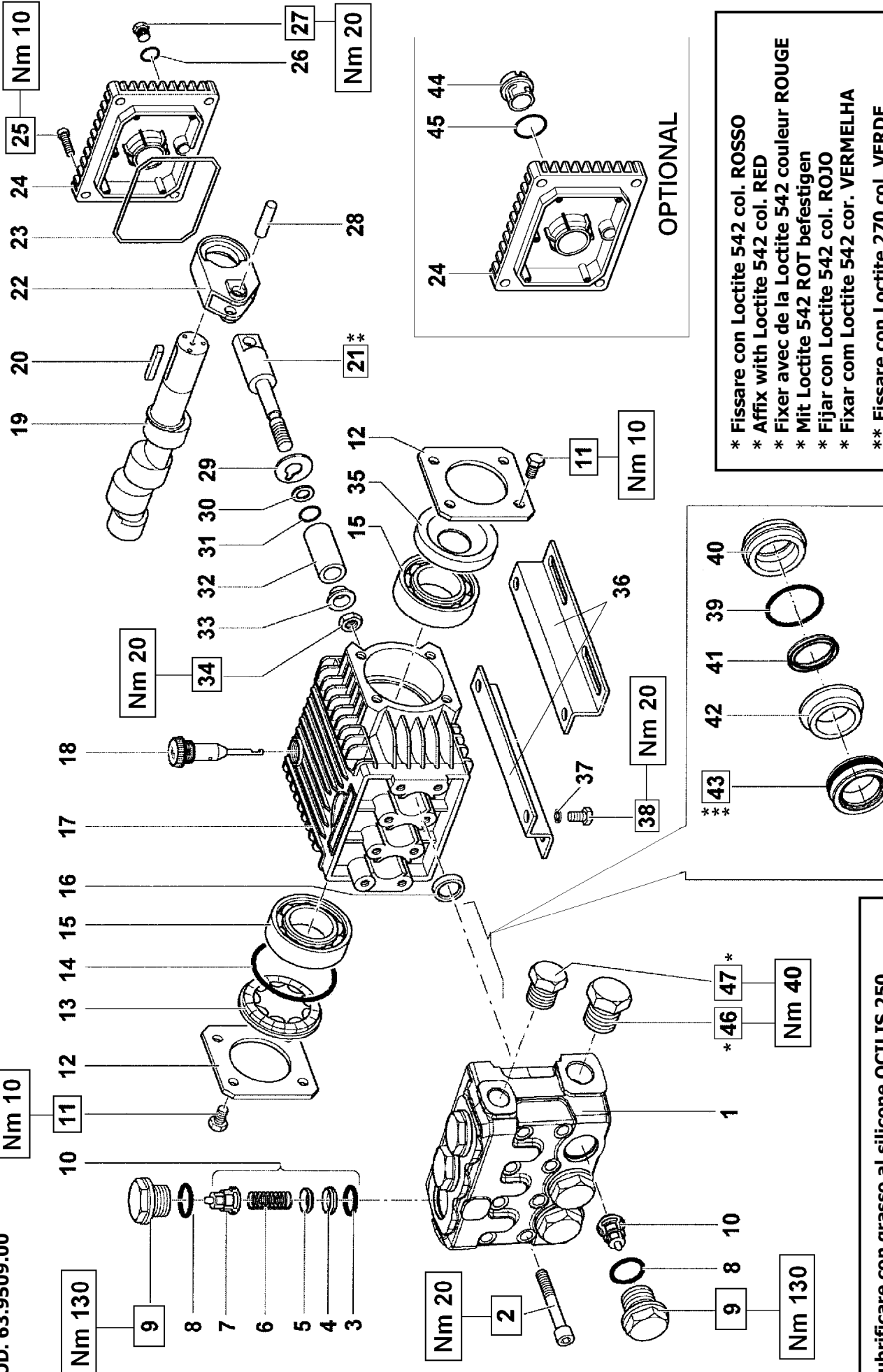
**KIT RICAMBI – SPARE KITS**

KIT Nr.	KIT 2	KIT 3	KIT 192	PISTONE – PISTON Ø20	PISTONE – PISTON Ø22
Posizioni include Positions included	16	39	4-5 6-7 8 (11)	42-44 40-41 42-43 44	KIT 202 KIT 240 40-41 42-43 44
Nr. Pcs.	3	2	6	3	3 1

POS	COD.	DESCRIZIONE – DESCRIPTION – KIT	NR
17	90.9126.00	Boccola Ø 22x25x30	3
18	47.0100.22	Carter pompa	1
19	98.2106.00	Tappo carico olio G 3/8"	1
20	90.3922.00	OR Ø 133.02x2.62 (3525)	1
21	47.0217.35 47.0218.35 47.0219.35	Albero – SSE2021 Albero – SSU2018 – SSU1521 – SSE2015 SSE1518 Albero – SSU2015 – SSE2013	1 1 1
22	90.0557.00	Anello di fermo Ø 12	6
23	91.4890.00	Linguetta 8x7x35 UNI 6604	1
24	97.7380.00	Spinotto Ø 13x35.5	3
25	47.0507.66	Guida pistone - INOX	3
26	47.0300.01	Biella completa	3
27	99.1913.00	Vite M6x30 UNI 5931 - INOX	5
28	47.1601.22	Coperchio posteriore	1
29	97.5968.00	Spia livello olio G 3/4"	1
30	98.2040.00	Tappo G 1/4"x9 – INOX	1
31	90.3585.00	OR Ø 10.82x1.78 (2043)	4
32	99.3099.00	Vite M8x35 UNI 5931	6
33	96.7287.00	Rosetta Ø 14x28x0.5 - INOX	6
34	47.0404.09 47.0405.09	Pistone Ø 20 Pistone Ø 22	3 3
35	90.5067.00	Anello antiest. Ø 11x14x1.5	3
36	47.2197.66	Vite fissaggio pistone – INOX	3

POS	COD.	DESCRIZIONE – DESCRIPTION – KIT	NR
37	47.1510.22	Coperchio cuscinetto	1
38	97.5678.00	Spessore	2
39	90.1648.00	Anello rad. Ø 30x55x7	3 1
40	90.3616.00	OR Ø 34.65x1.78 (2137)	239-240 3
41	47.0815.66 47.0816.66	Anello di fondo Ø 20 – INOX Anello di fondo Ø 22 – INOX	239 240 3
42	90.2250.00 90.2300.00	Anello ten. alt. Ø 20x26.15 LP Anello ten. alt. Ø 22x28.15 LP	238-239 202-240 3
43	47.2176.66 47.2177.66	Anello intermedio Ø 20 – INOX Anello intermedio Ø 22 – INOX	239 240 3
44	90.2262.00 90.2310.00	Anello ten. alt. Ø 20x35x9 HP Anello ten. alt. Ø 22x35x9 HP	238-239 202-240 3
45	47.2000.74	Piedino	2
46	99.3644.00	Vite M10x18 UNI 5931	4
47	96.7106.00	Rosetta Ø 10 DIN 7980	4
48	98.2180.00	Tappo G 1/2"x10 - INOX	1
49	98.2100.66	Tappo G 3/8"x13 - INOX	1

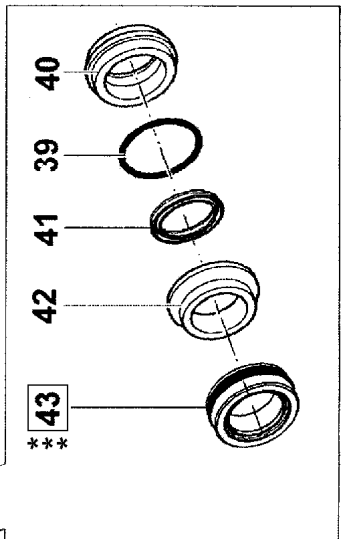
DIS. COD. 63.9509.00



**OPTIONAL**

- \* Fissare con Loctite 542 col. ROSSO
- \* Affix with Loctite 542 col. RED
- \* Fixer avec de la Loctite 542 couleur ROUGE
- \* Mit Loctite 542 ROT befestigen
- \* Fijar con Loctite 542 col. ROJO
- \* Fixar com Loctite 542 cor. VERMELHA

- \*\* Fissare con Loctite 270 col. VERDE
- \*\* Affix with Loctite 270 col. GREEN
- \*\* Fixer avec de la Loctite 270 couleur VERT
- \*\* Mit Loctite 270 GRÜN befestigen
- \*\* Fijar con Loctite 270 col. VERDE
- \*\* Fixar com Loctite 270 cor. VERDE



**SS**      **SERIE 63**

- \*\*\* Lubrificare con grasso al silicone OCILIS 250
- \*\*\* To lubricate with silicon grease OCILIS 250
- \*\*\* Lubrifier avec gras à la silicone OCILIS 250
- \*\*\* Sich mit fett zum Silikon OCILIS 250 schmieren
- \*\*\* Para lubricar con la grasa al silicón OCILIS 250
- \*\*\* Para lubrificar com a graxa ao silicone OCILIS 250



**SSE1505 – SSE1507**  
**SSE1509 – SSE1411**  
**SSE1413 – SSE1414**  
**SSU1509 – SSU1511**  
**SSU1413 – SSU1415**

**PISTONE – PISTON Ø15**

**SSE1505 – SSE1507**  
**SSE1509 – SSU1509**  
**SSU1511**

**PISTONE – PISTON Ø18**

**SSE1411 – SSE1413**  
**SSE1414 – SSU1413**  
**SSU1415**

POS	COD.	DESCRIZIONE – DESCRIPTION - KIT	NR
1	63.1216.36	Testata Ø 15 - INOX	1
	63.1219.36	Testata Ø 18 - INOX	1
2	99.3193.00	Vite M8x65 UNI 5931 - INOX	8
3	90.3841.00	OR Ø 17.13x2.62 (3068)	192 6
4	36.2036.66	Sede valvola - INOX	192 6
5	36.2001.76	Valvola	192 6
6	94.7373.00	Molla Ø 9.4x14.8 - INOX	192 6
7	36.2025.51	Guida valvola	192 6
8	90.3847.00	OR Ø 20.24x2.62 (3081) – 90 Sh.	6
9	98.2229.00	Tappo M24x1.5x17 - INOX	6
10	36.7130.01	Gruppo valvola asp./man. – INOX	192 6
11	99.1808.00	Vite M6x10 UNI 5739 – INOX	8
12	63.1500.76	Coperchio laterale - INOX	2
13	44.2118.01	Distanziale con indicatore	1
14	90.4097.00	OR Ø 55.56x3.53 (159)	1

**KIT RICAMBI – SPARE KITS**

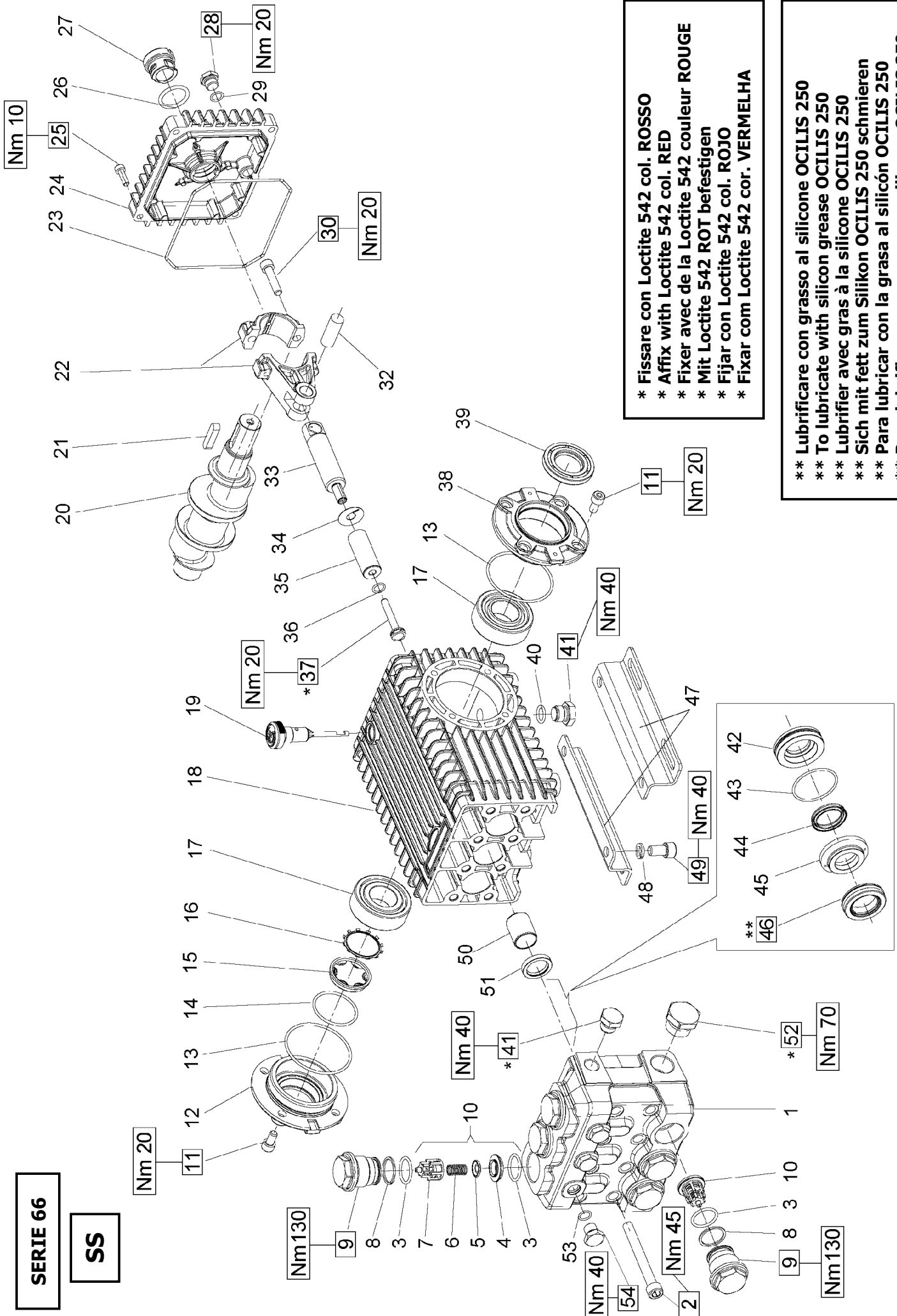
KIT Nr.	KIT 159	KIT 192	PISTONE – PISTON Ø 15		PISTONE – PISTON Ø 18	
			KIT 214	KIT 215	KIT 204	KIT 216
Posizioni include Positions included	16	3 - 4 5 - 6 - 7 (10)	41 - 43	39 - 40 41 - 42 43	41 - 43	39 - 40 41 - 42 43
Nr. Pcs.	3	6	3	1	3	1

POS	COD.	DESCRIZIONE – DESCRIPTION – KIT	NR
15	91.8331.00	Cuscinetto a sfere 6305	2
16	90.1595.00	Anello rad. Ø 18x26x6	159 3
17	63.0100.22	Carter pompa	1
18	98.2103.00	Tappo carico olio G 3/8"	1
19	63.0212.65	Albero - SSE1507 – SSE1411 – SSU1509 SSU1413	1
	63.0216.65	Albero – SSE1509 – SSE1413 – SSU1511 SSU1416	1
	63.0218.65	Albero – SSE1414	1
	63.0205.65	Albero – SSE1505	1
20	91.4892.00	Linguetta	1
21	63.0501.66	Guida pistone - INOX	3
22	63.0300.22	Biella	3
23	90.3920.00	OR Ø 101.27x2.62 (3400)	1
24	63.1600.22	Coperchio posteriore - OPTIONAL	1
	63.1601.22	Coperchio posteriore	1
25	99.1838.00	Vite M6x14 UNI 5931 – INOX	4
26	90.3585.00	OR Ø 10.82x1.78 (2043)	1
27	98.2040.00	Tappo G 1/4"x9 - INOX	1
28	97.7335.00	Spinotto Ø 9x27.5	3
29	96.7076.00	Rosetta Ø 9x25x0.5 - INOX	3
30	90.5022.00	Anello antiest. Ø 6.2x9x1.5	3
31	90.3573.00	OR Ø 5.28x1.78 (2021)	3
32	52.0400.09	Pistone Ø 15	3
	44.0401.09	Pistone Ø 18	3
33	63.2115.66	Rosetta Ø 8 con collare – INOX	3

POS	COD.	DESCRIZIONE – DESCRIPTION - KIT	NR
34	92.2215.00	Dado M8 - INOX	3
35	90.1641.00	Anello rad. Ø 25x62x10	1
36	50.2000.74	Piedino	2
37	96.7016.00	Rosetta Ø 8.4 UNI 1751 – Zinc.	4
38	99.3037.00	Vite M8x16 UNI 5739 – Zinc.	4
39	90.3608.00	OR Ø 28.3x1.78 (2112)	215-216 3
40	63.0806.66	Anello di fondo Ø 15 - INOX	215 3
	63.0807.66	Anello di fondo Ø 18 – INOX	216 3
41	90.2150.00	Anello ten. alt. Ø 15x19.5 LP	214-215 3
	90.2200.00	Anello ten. alt. Ø 18x22.5 LP	204-216 3
42	63.2164.66	Anello intermedio Ø 15 - INOX	215 3
	63.2165.66	Anello intermedio Ø 18 - INOX	216 3
43	90.2160.00	Anello ten. alt. Ø 15x24x8.5 HP	214-215 3
	90.2210.00	Anello ten. alt. Ø 18x28x10 HP	204-216 3
44	63.2100.51	Spia livello olio – OPTIONAL	1
45	90.4051.00	OR Ø 26.58x3.53 (4106) – OPTIONAL	1
46	98.2180.00	Tappo G 1/2"x10 - INOX	1
47	98.2100.66	Tappo G 3/8"x13 - INOX	1

**SERIE 66**

**SS**



\* Fissare con Loctite 542 col. ROSSO  
\* Affix with Loctite 542 col. RED  
\* Fixer avec de la Loctite 542 couleur ROUGE  
\* Mit Loctite 542 ROT befestigen  
\* Fijar con Loctite 542 col. ROJO  
\* Fixar com Loctite 542 cor. VERMELHA

\*\* Lubrificare con grasso al silicone OCILIS 250  
\*\* To lubricate with silicon grease OCILIS 250  
\*\* Lubrifier avec gras à la silicone OCILIS 250  
\*\* Sich mit fett zum Silikon OCILIS 250 schmieren  
\*\* Para lubricar con la grasa al silicón OCILIS 250  
\*\* Para lubrificar com a graxa ao silicone OCILIS 250



**SSE2025 – SSE2030 – SSE2035 – SSE2041**  
**SSU2030 – SSU2035 – SSU2040 – SSU2050**

**PISTONE - PISTON Ø 20 PISTONE - PISTON Ø 22**

**SSE2025 SSE2030 – SSE2035**  
**SSU2030 – SSU2035 SSU2040**

**PISTONE - PISTON Ø 24**

**SSE2041 – SSU2050**

POS	COD.	DESCRIZIONE – DESCRIPTION - KIT	NR
1	66.1203.36	Testata Ø 20 - INOX	1
	66.1204.36	Testata Ø 22 - INOX	1
	66.1205.36	Testata Ø 24 - INOX	1
2	99.3802.00	Vite M10x90 UNI 5931 - INOX	8
3	90.3857.00	OR Ø 23.81x2.62 (132)	228
4	36.2037.66	Sede valvola sferica - INOX	228
5	36.2034.76	Valvola	228
6	94.7388.00	Molla Ø 10x18.5	228
7	36.2035.51	Guida valvola	228
8	90.5165.00	Anello antiest. Ø 24.7x29x1.5	6
9	66.1302.66	Tappo M32x1.5x29.5 - INOX	6
10	36.7131.01	Gruppo valvola aspiraz. / mand.	228
11	99.3038.00	Vite M8x16 UNI 5931 - INOX	8
12	47.1512.22	Coperchio cuscinetto lato spia	1
13	90.3913.00	OR Ø 67.95x2.62 (3268)	2
14	90.3877.00	OR Ø 39.34x2.62 (3156)	1
15	70.2118.01	Spia livello olio	1
16	90.0756.00	Anello di arresto Ø 45	1
17	91.8380.00	Cuscinetto a rulli NJ 2206 EC	2
18	66.0100.22	Carter pompa	1

**KIT RICAMBI – SPARE KITS**

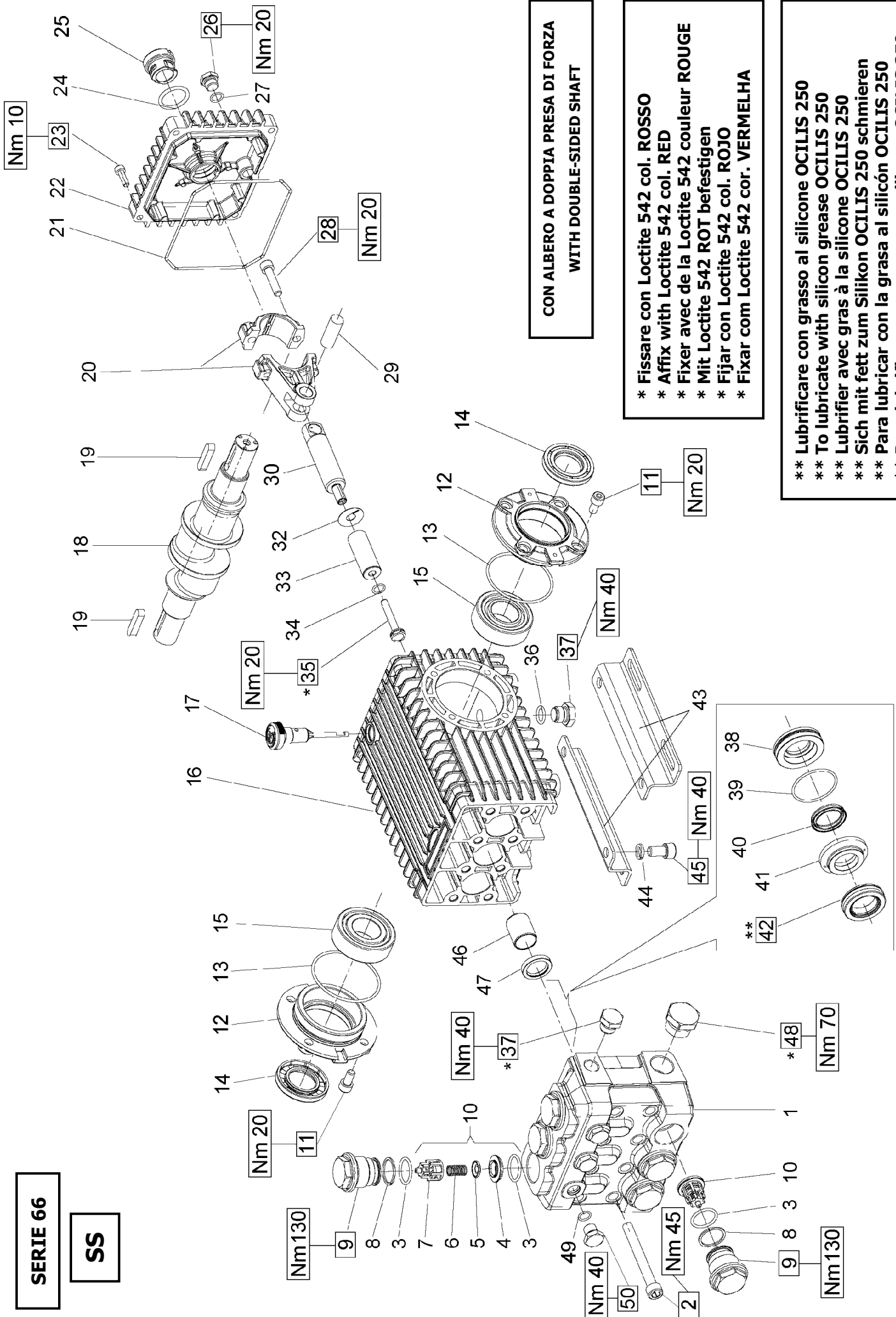
KIT Nr.	KIT 2	KIT 3	KIT 228	PISTONE - PISTON Ø 20		PISTONE - PISTON Ø 22		KIT 210	KIT 219
				KIT 206	KIT 217	KIT 208	KIT 218		
Posizioni include Positions included	51	39	3-4 5-6 7 (10)	44-46	42-43 44-45 46	44-46	42-43 44-45 46	44-46	42-43 44-45 46
Nr. Pcs.	3	2	6	3	1	3	1	3	1

POS	COD.	DESCRIZIONE – DESCRIPTION - KIT	NR
19	98.2106.00	Tappo carico olio G 3/8"	1
20	66.0200.35	Albero – SSE1525 – SSE2030 – SSU2030	1
	66.0204.35	Albero – SSE2035 – SSE2014	1
		SSU2035 – SSU2040 – SSU2050	1
21	91.4892.00	Linguetta 9x7x35 UNI 6604	1
22	66.0300.01	Biella completa	3
23	90.3922.00	OR Ø 133.02x2.62 (3525)	1
24	66.1600.22	Coperchio posteriore	1
25	99.1883.00	Vite M6x20 UNI 5931 - INOX	4
26	90.4051.00	OR Ø 26.58x3.53 (4106)	1
27	63.2100.51	Spia livello olio	1
28	98.2040.00	Tappo G 1/4"x9 - INOX	1
29	90.3585.00	OR Ø 10.82x1.78 (2043)	1
30	99.3099.00	Vite M8x35 UNI 5931	6
32	97.7405.00	Spinotto Ø 14x39	3
33	66.0501.66	Guida pistone	3
34	96.7098.00	Rosetta Ø 10x28x0.5 - INOX	3
35	66.0400.09	Pistone Ø 20x54	3
	66.0401.09	Pistone Ø 22x54	3
	66.0404.09	Pistone Ø 24x54	3
36	90.3584.00	OR Ø 10.82x1.78 (2043) - 90 Sh.	3
37	66.2196.66	Vite fissaggio pistone - INOX	3
38	47.1510.22	Coperchio cuscinetto aperto	1
39	90.1648.00	Anello rad. Ø 30x55x7	3
40	90.3833.00	OR Ø 13.95x2.62 (3056)	1

POS	COD.	DESCRIZIONE – DESCRIPTION - KIT	NR
41	98.2100.00	Tappo G 3/8"x13	2
42	66.0817.66	Anello di fondo Ø 20 - INOX	217
	66.0818.66	Anello di fondo Ø 22 - INOX	218
	66.0819.66	Anello di fondo Ø 24 - INOX	219
43	90.3616.00	OR Ø34.65x1.78 (2137)	217-218-219
44	90.2250.00	Anello tenuta Ø20x26.15 LP	206-217
	90.2300.00	Anello tenuta Ø22x28.15 LP	208-218
	90.2350.00	Anello tenuta Ø24x30.15 LP	210-219
45	66.2172.66	Anello intermedio Ø 20 – INOX	217
	66.2173.66	Anello intermedio Ø 22 – INOX	218
	66.2174.66	Anello intermedio Ø 24 - INOX	219
46	90.2260.00	Anello tenuta Ø20x30x10 HP	206-217
	90.2312.00	Anello tenuta Ø22x32x10 HP	208-218
	90.2360.00	Anello tenuta Ø24x34x10 HP	210-219
47	47.2000.74	Piedino fissaggio pompa	2
48	96.7106.00	Rosetta Ø 10.2 DIN 7980	4
49	99.3644.00	Vite M10x18 UNI 5931	4
50	90.9126.00	Boccola Ø 22x25x30	3
51	90.1625.00	Anello rad. Ø 22x32x5.5	2
52	98.2266.00	Tappo G 3/4"x16 - INOX	1
53	90.3585.00	OR Ø 10.82x1.78 (2043)	3
54	98.2046.00	Tappo G 1/4"x13 - INOX	3

**SERIE 66**

**SS**



**CON ALBERO A DOPPIA PRESA DI FORZA  
WITH DOUBLE-SIDED SHAFT**

**\* Fissare con Loctite 542 col. ROSSO  
\* Affix with Loctite 542 col. RED  
\* Fixer avec de la Loctite 542 couleur ROUGE  
\* Mit Loctite 542 ROT befestigen  
\* Fijar con Loctite 542 col. ROJO  
\* Fixar com Loctite 542 cor. VERMELHA**

**\*\* Lubrificare con grasso al silicone OCILIS 250  
\*\* To lubricate with silicon grease OCILIS 250  
\*\* Lubrifier avec gras à la silicone OCILIS 250  
\*\* Sich mit fett zum Silikon OCILIS 250 schmieren  
\*\* Para lubricar con la grasa al silicón OCILIS 250  
\*\* Para lubrificar com a graxa ao silicone OCILIS 250**

**DIS. COD. 66.9517.00**





## SSE2025 – SSE2030 - SSU2030

### PISTONE - PISTON Ø 20 PISTONE - PISTON Ø 22

#### SSE2025 – SSU2030

#### SSE2030

POS	COD.	DESCRIZIONE – DESCRIPTION - KIT	NR
1	66.1203.36 66.1204.36	Testata Ø 20 - INOX Testata Ø 22 - INOX	1 1
2	99.3802.00	Vite M10x90 UNI 5931 - INOX	8
3	90.3857.00	OR Ø 23.81x2.62 (132)	228 12
4	36.2037.66	Sede valvola sferica - INOX	228 6
5	36.2034.76	Valvola	228 6
6	94.7388.00	Molla Ø 10x18.5	228 6
7	36.2035.51	Guida valvola	228 6
8	90.5165.00	Anello antief. Ø 24.7x29x1.5	6
9	66.1302.66	Tappo M32x1.5x29.5 - INOX	6
10	36.7131.01	Gruppo valvola aspiraz. / mand.	228 6
11	99.3038.00	Vite M8x16 UNI 5931 - INOX	8
12	47.1510.22	Coperchio cuscinetto aperto	2
13	90.3913.00	OR Ø 67.95x2.62 (3268)	2
14	90.1648.00	Anello rad. Ø 30x55x7	3 2
15	91.8380.00	Cuscinetto a rulli NJ 2206 EC	2
16	66.0100.22	Carter pompa	1
17	98.2106.00	Tappo carico olio G 3/8"	1
18	66.0210.35	Albero D.PTO	1
19	91.4892.00	Linguetta 9x7x35 UNI 6604	2
20	66.0300.01	Biella completa	3

## KIT RICAMBI – SPARE KITS

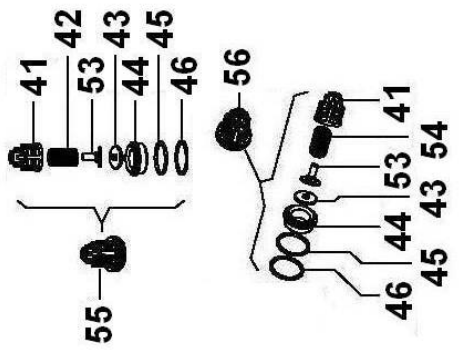
KIT Nr.	KIT 2	KIT 3	KIT 228
Posizioni include Positions included	47	14	3 - 4 5 - 6 7 (10)
Nr. Pcs.	3	2	6

POS	COD.	DESCRIZIONE – DESCRIPTION - KIT	NR
21	90.3922.00	OR Ø 133.02x2.62 (3525)	1
22	66.1600.22	Coperchio posteriore	1
23	99.1883.00	Vite M6x20 UNI 5931 - INOX	4
24	90.4051.00	OR Ø 26.58x3.53 (4106)	1
25	63.2100.51	Spia livello olio	1
26	98.2040.00	Tappo G 1/4"x9 - INOX	1
27	90.3585.00	OR Ø 10.82x1.78 (2043)	1
28	99.3099.00	Vite M8x35 UNI 5931	6
29	97.7405.00	Spinotto Ø 14x39	3
30	66.0501.66	Guida pistone	3
32	96.7098.00	Rosetta Ø 10x28x0.5 - INOX	3
33	66.0400.09 66.0401.09	Pistone Ø 20x54 Pistone Ø 22x54	3 3
34	90.3584.00	OR Ø 10.82x1.78 (2043) - 90 Sh.	3
35	66.2196.66	Vite fissaggio pistone - INOX	3
36	90.3833.00	OR Ø 13.95x2.62 (3056)	1
37	98.2100.00	Tappo G 3/8"x13	2
38	66.0817.66 66.0818.66	Anello di fondo Ø 20 - INOX Anello di fondo Ø 22 - INOX	217 218 3
39	90.3616.00	OR Ø34.65x1.78 (2137)	217-218-219 3
40	90.2250.00 90.2300.00	Anello tenuta Ø20x26.15 LP Anello tenuta Ø22x28.15 LP	206-217 208-218 3
41	66.2172.66 66.2173.66	Anello intermedio Ø 20 - INOX Anello intermedio Ø 22 - INOX	217 218 3
42	90.2260.00 90.2312.00	Anello tenuta Ø20x30x10 HP Anello tenuta Ø22x32x10 HP	206-217 208-218 3

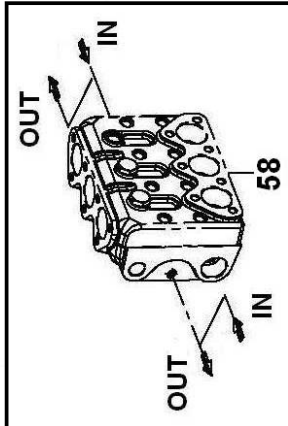
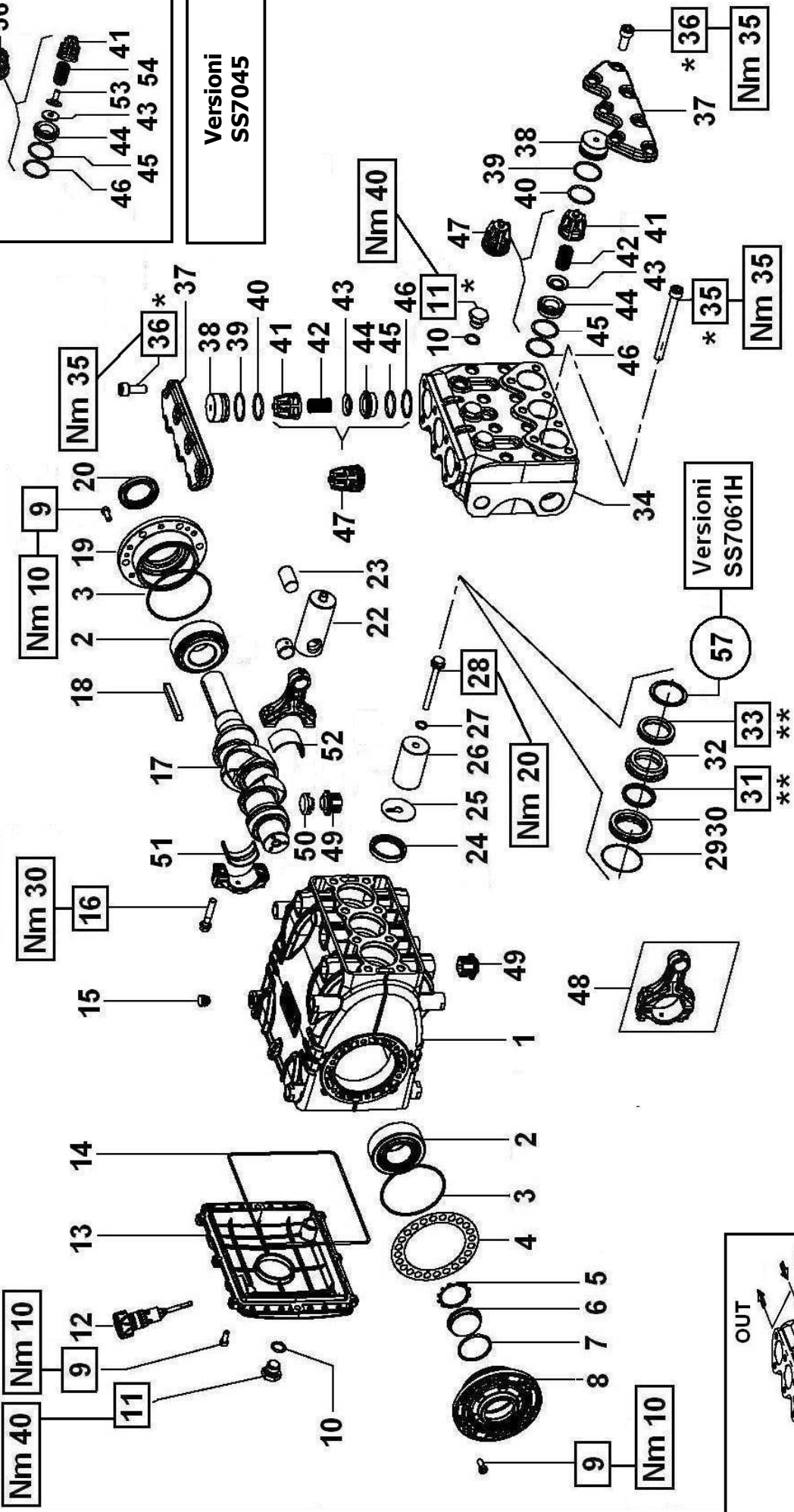
POS	COD.	DESCRIZIONE – DESCRIPTION - KIT	NR
43	47.2000.74	Piedino fissaggio pompa	2
44	96.7106.00	Rosetta Ø 10.2 DIN 7980	4
45	99.3644.00	Vite M10x18 UNI 5931	4
46	90.9126.00	Boccola Ø 22x25x30	3
47	90.1625.00	Anello rad. Ø 22x32x5.5	2 3
48	98.2266.00	Tappo G 3/4"x16 - INOX	1
49	90.3585.00	OR Ø 10.82x1.78 (2043)	3
50	98.2046.00	Tappo G 1/4"x13 - INOX	3

\* Lubrificare le filettature con grasso al Molibdeno.  
 \* Lubricate the threads with Molybdenum Disulfide grease.  
 \* Graisser le filetage avec Bisulfure de Molybdène graisse.  
 \* Schmierien Sie die Gewinde mit Molybdändisulfidft.  
 \* Lubrique las roscas con grasa de Disulfuro de Molibdeno.  
 \* Lubrifique com graxa de Molibdênio Dissulfeto.

\*\* Lubrificare con grasso al silicone.  
 \*\* Lubricate with silicon grease.  
 \*\* Graisser avec de la graisse su silicone.  
 \*\* Schmierien mit Silikonfett.  
 \*\* Lubrique con grasa de silicona.  
 \*\* Lubrifique com graxa de silicone.



Versioni  
 SS7045

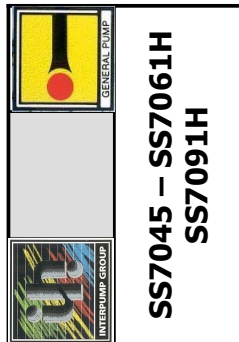


SISTEMA FLUSSAGGIO TENUTE  
 FLUSHING SYSTEM

SS

SERIE 70

COD. DIS. 70.9510.00



<b>Ø24</b>	<b>Ø28</b>
<b>SS7045</b>	<b>SS7061H</b>
<b>Ø36</b>	
<b>SS7091H</b>	

POS	COD.	DESCRIZIONE - DESCRIPTION - KIT	NR
1	70.0100.22	Carter pompa	1
2	91.8477.00	Cuscinetto a rulli 33207	2
3	90.3915.00	OR Ø 80.6x2.62 (3318) 2041-2122-2171	2
4	70.2200.81 70.2203.81	Spessore 0.1 mm. Spessore 0.25 mm.	- -
5	90.0756.00	Anello seeger Ø 45 2041-2122-2171	1
6	70.2118.01	Spia livello olio	1
7	90.3877.00	OR Ø 39.34x2.62 (3156) 2041-2122-2171	1
8	70.1501.22	Coperchio cuscinetto lato spia	1
9	99.1852.00	Vite M6x16 UNI 5931	20
10	90.3833.00 90.3585.00	OR Ø 13.95x2.62 (3056) - SS7091H OR Ø 10.82x1.78 (2043) - SS7045-SS7061H 2041-2122 2041	4÷1 3
11	98.2100.66 98.2046.00	Tappo G 3/8"x13 - SS7091H Tappo G 1/4"x13 - SS7045 - SS7061H	4 3
12	98.2115.00	Tappo con asta Ø 21.5x70	1
13	70.1600.22	Coperchio posteriore carter	1
14	90.3944.00	ORØ196.52x2.62 (3775) 2041-2122-2171	1
15	98.2060.00	Tappo per foro Ø 15	5
16	99.3123.00	Vite serraggio biella	6
17	70.0200.35	Albero ecc.	1
18	91.4900.00	Linguetta 8x7x70 UNI 6604	1
19	70.1500.22	Coperchio cuscinetto lato PTO	1
20	90.1668.00	Anello rad. Ø 35x52x7 2041-2122-2171	1
22	70.0500.15	Guida pistone	3

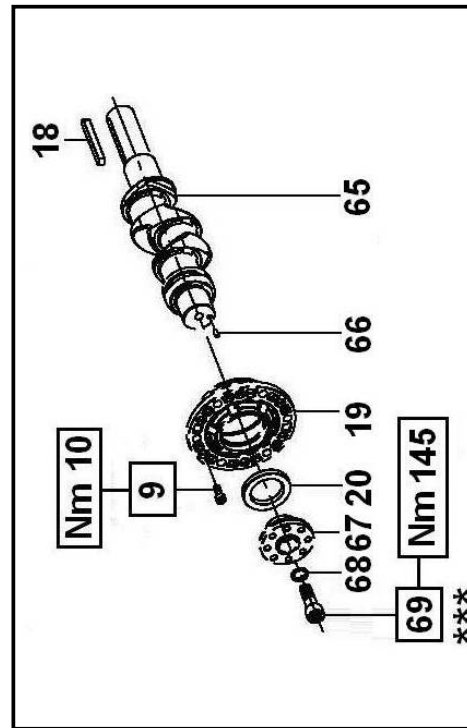
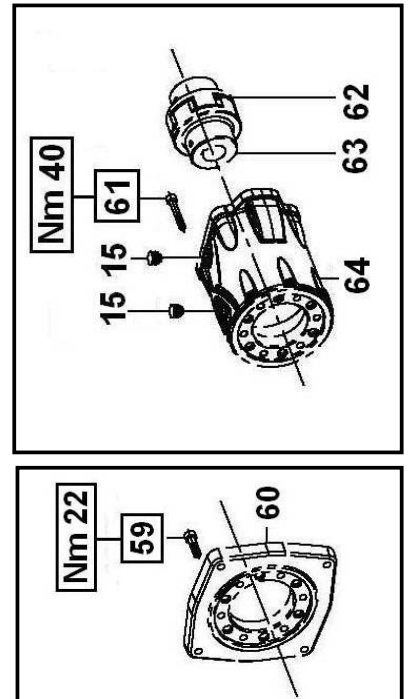
### KIT RICAMBI - SPARE KITS

PISTONE - PISTON Ø24				PISTONE - PISTON Ø28				PISTONE - PISTON Ø36			
KIT NR.	KIT 2040	KIT 2156 2157-2158	KIT 2120	KIT 2121	KIT 2170	KIT 2171	KIT 2119	KIT 2122	KIT 212	KIT 2041	
Posizioni include Positions included	41 - 42 43 - 44 45 - 46 (47)	56 - 57	41 - 43 44 - 45 46 - 53 54 (56)	41 - 42 43 - 44 45 - 46 53 (55)	31 - 33	3 - 5 - 7 10 - 14 - 20 24 - 27 - 29 31 - 33 - 39 40 - 45 - 46	31 - 33	3 - 5 - 7 10 - 14 - 20 24 - 27 - 29 31 - 33 - 39 40 - 45 - 46	31 - 33	3 - 5 - 7 10 - 14 - 20 24 - 27 - 29 31 - 33 - 39 40 - 45 - 46	
Nr. Pcs.	6	3	3	3	3	(1 PUMP)	3	(1 PUMP)	3	(1 PUMP)	

POS	COD.	DESCRIZIONE - DESCRIPTION - KIT	NR
23	97.7420.00	Spinotto Ø 18x36	3
24	90.1677.00	Anello rad. Ø 36x47x6/7.5 2041-2122-2171	3
25	96.7099.00	Rosetta Ø 10x45x1	3
26	70.0402.09 70.0403.09 70.0405.09	Pistone Ø 24x62 Pistone Ø 28x62 Pistone Ø 36x62	3 3 3
27	90.3671.00	OR Ø 11x2 2041-2122-2171	3
28	70.2218.66	Vite fissaggio pistone	3
29	90.3626.00	OR Ø 50.52x1.78 (2200) 2041-2122-2171	3
30	70.0813.66 70.0811.66 70.0810.66	Anello di fondo Ø 24 Anello di fondo Ø 28 Anello di fondo Ø 36	3 3 3
31	90.2350.00 90.2381.00 90.2400.00	Anello ten.alt. Ø24x30,15 LP 2170-2171 Anello ten.alt. Ø28x34,15 LP 2119-2122 Anello ten.alt. Ø36x42 LP 212-2041	3 3 3
32	70.2226.66 70.2220.66 70.2217.66	Anello intermedio Ø 24 Anello intermedio Ø 28 Anello intermedio Ø 36	3 3 3
33	90.2364.00 90.2380.00 90.2410.00	Anello ten.alt. Ø24x35x11.5 HP2170-2171 Anello ten.alt. Ø28x45x9 HP 2119-2122 Anello ten.alt. Ø36x48x8 HP 212-2041	3 3 3
34	70.1240.36 70.1252.66 70.1235.36 70.1236.36	Testata pompa Ø 24 Testata pompa Ø 28 Testata pompa Ø 36 Testata pompa Ø 36 - NPT	1 1 1 1
35	99.3818.00	Vite M10x110 UNI 5931	8
36	99.3670.00	Vite M10x25 UNI 5631	14
37	70.2215.36	Coperchio valvole	2
38	70.2221.66 70.2216.66	Tappo valvole aspiraz./mand. - SS7045 Tappo valvole aspiraz./mand.	6 6

## AZIONAMENTI SPECIALI – SPECIAL DRIVES

AZIONAMENTO DIRETTO CON FLANGIA TIPO A DIRECT DRIVE WITH FLANGE TYPE A			
POS	COD.	DESCRIZIONE – DESCRIPTION - KIT	NR
59	99.3084.00	Vite M8x30 UNI 5931	6
60	10.0673.20	Flangia per motore idraulico	1
AZIONAMENTO IDRAULICO CON CAMPANA E GIUNTO SAE-B HYDRAULIC DRIVE WITH FLANGE AND FLEXIBLE COUPLING SAE-B			
15	98.2060.00	Tappo per foro Ø 15	4
61	99.3136.00	Vite M8x45 UNI 5931	6
62	10.0755.47	Elemento elastico	1
63	10.7430.01	Giunto elastico Ø 30x25.4	1
64	10.0752.20	Flangia per motore idraulico SAE-B	1
AZIONAMENTO CON PRESA DI FORZA AUSILIARE DRIVE WITH AUXILIARY PTO			
9	99.1867.00	Vite M6x18 UNI 5931	6
18	91.5000.00	Linguetta 12x8x70 UNI 6604	1
19	70.1500.22	Coperchio cuscinetto lato PTO	1
20	90.1668.00	Anello rad. Ø 35x52x7	1
65	70.0205.35	Albero ecc. con 2° presa di forza	1
66	97.6152.00	Spina Ø 5x10	1
67	70.2234.54	Dispositivo presa di forza ausiliare	1
68	96.7160.00	Rosetta Ø 12x18x1	1
69	99.4295.00	Vite M12x35 UNI 5931	1

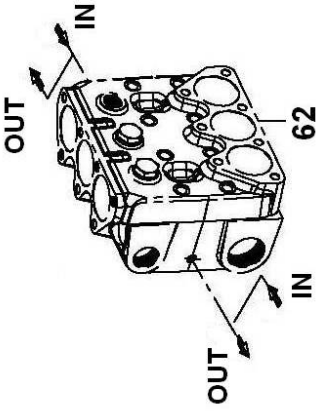


\*\*\* Fissare con Loctite 243 col. BLU  
 \*\*\* Affix with Loctite 243 col. BLUE  
 \*\*\* Fixer avec de la Loctite 243 couleur BLUE  
 \*\*\* Mit Loctite 243 BLAU befestigen  
 \*\*\* Fijjar con Loctite 243 col. AZUL  
 \*\*\* Fixar com Loctite 243 cor. BLUE

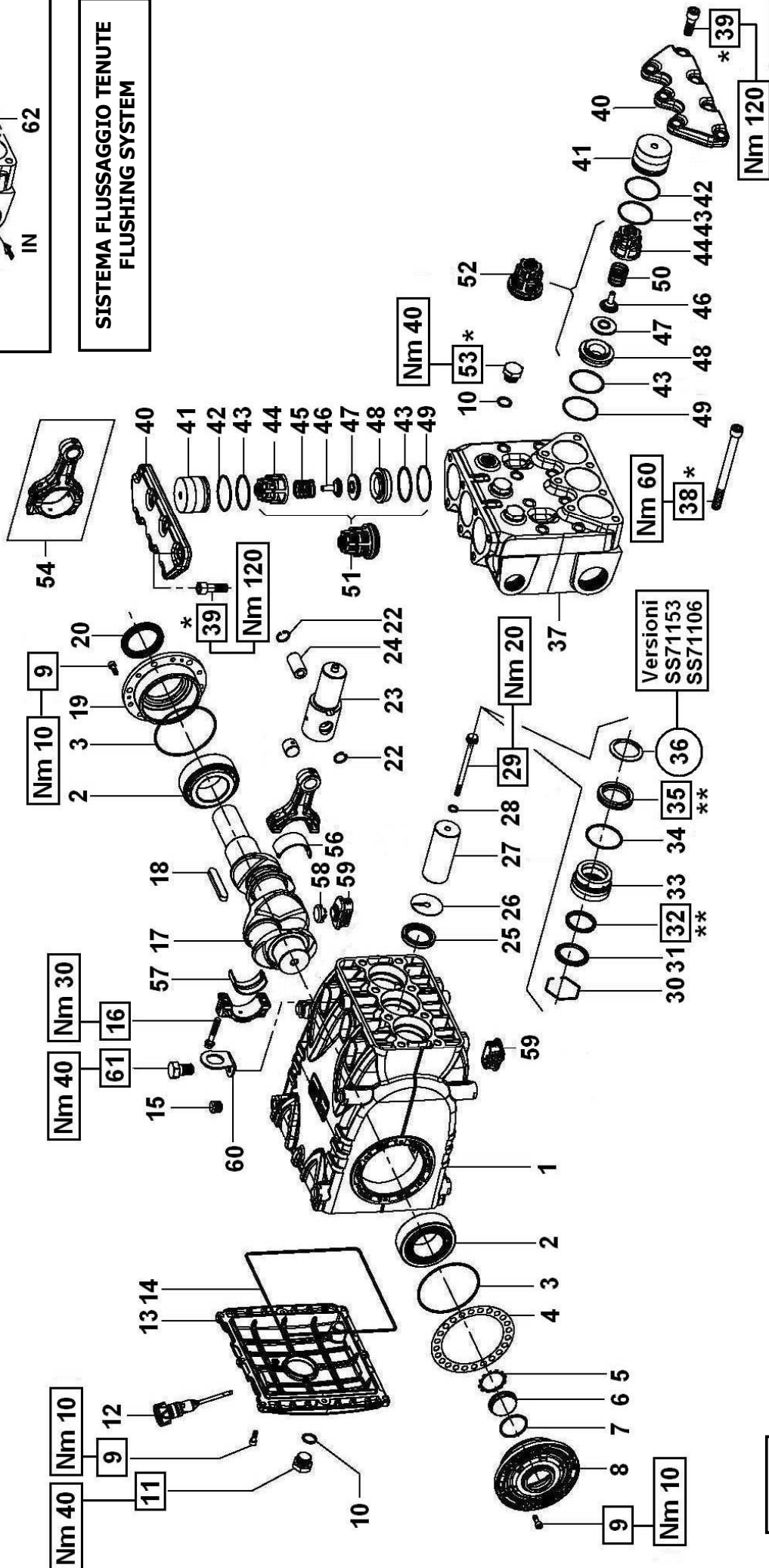


- \* Lubrificare le filettature con grasso al Bisolfuro di Molibdeno.
- \* Lubricate the threads with Molybdenum Disulfide grease.
- \* Graisser le filetage avec Bisulfure de Molybdène graisse.
- \* Schmierien Sie die Gewinde mit Molybdänsulfidtt.
- \* Lubrique las roscas con grasa de Disulfuro de Molibdeno.
- \* Lubrifique com graxa de Molibdênio Dissulfeto.

- \*\* Lubrificare con grasso al silicone.
- \*\* Lubricate with silicon grease.
- \*\* Graisser avec de la graisse su silicone.
- \*\* Schmierien mit Silikonfett.
- \*\* Lubrique con grasa de silicona.
- \*\* Lubrifique com graxa de silicone.



**SISTEMA FLUSSAGGIO TENUTE  
FLUSHING SYSTEM**



**SERIE 71**



**SS71153 - SS71170**  
**SS71106 - SS7193**

<b>Ø 28</b>	<b>Ø 30</b>
<b>SS7193</b>	<b>SS71106</b>
<b>Ø 36</b>	<b>Ø 40</b>
<b>SS71153</b>	<b>SS71170</b>

**KIT RICAMBI - SPARE KITS**

KIT NR.	KIT	KIT	KIT	PISTONE - PISTON Ø28		PISTONE - PISTON Ø30		PISTONE - PISTON Ø36		PISTONE - PISTON Ø40	
	2042	2043	2135 2154-2155	KIT 2119	KIT 2210	KIT 2204	KIT 2205	KIT 2123	KIT 2033	KIT 2044	
Posizioni includi Positions included	43 - 44 46 - 47 48 - 49 50 (52)	43 - 44 45 - 46 47 - 48 49 (51)	61 - 62	32 - 35	3 - 5 - 7 10 - 14 - 20 25 - 28 - 32 34 - 35 - 42 43 - 49	32 - 35	3 - 5 - 7 10 - 14 - 20 25 - 28 - 32 34 - 35 - 42 43 - 49	3 - 5 - 7 10 - 14 - 20 25 - 28 - 32 34 - 35 - 42 43 - 49	32 - 35	3 - 5 - 7 10 - 14 - 20 25 - 28 - 32 34 - 35 - 42 43 - 49	
Nr. Pcs.	1	1	3	3	1	3	1	1	3	1	

POS	COD.	DESCRIZIONE - DESCRIPTION KIT	NR
1	71.0100.22	Carter pompa	1
2	91.8590.00	Cuscinetto a rulli 33210	2
3	90.3918.00	OR Ø 94.92x2.62 (3375) 2044-2123-2205-2210	2
4	71.2203.81 71.2205.81	Spessore 0.1 mm. Spessore 0.25 mm.	-
5	90.0756.00	An. seeger Ø 45 2044-2123-2205-2210	1
6	70.2118.01	Spia livello olio	1
7	90.3877.00	OR Ø 39.34x2.62 (3156) 2044-2123-2205-2210	1
8	71.1501.22	Coperchio cuscinetto lato spia	1
9	99.1868.00	Vite M6x18 UNI 5931	20
10	90.3841.00	OR Ø 17.13x2.62 (3068) 2044-2123-2205-2210	4
11	98.2181.00	Tappo G 1/2"x13	1
12	98.2120.00	Tappo con asta Ø 21.5x91	1
13	71.1600.22	Coperchio posteriore carter	1
14	90.4000.00	OR Ø 215x3 2044-2123-2205-2210	1
15	98.2060.00	Tappo per foro Ø 15	4
16	99.3138.00	Vite serraggio biella	6
17	71.0200.35	Albero ecc.	1
18	91.5000.00	Linguetta 12x8x70 UNI 6604	1
19	71.1500.22	Coperchio cuscinetto lato PTO	1
20	90.1700.00	Anello rad. Ø 50x65x8 2044-2123-2205-2210	1
22	90.0606.00	Anello seeger Ø 20	6
23	71.0500.15	Guida pistone	3
24	97.7430.00	Spinotto Ø 20x38	3
25	90.1678.00	Anello rad. Ø 38x52x7/8.5 2044-2123-2205-2210	3

POS	COD.	DESCRIZIONE - DESCRIPTION KIT	NR
26	96.7140.00	Rosetta Ø 10x50x1	3
27	71.0406.09 71.0403.09 71.0404.09 71.0405.09	Pistone Ø 28x95 Pistone Ø 30x95 Pistone Ø 36x95 Pistone Ø 40x95	3 3 3 3
28	90.3671.00	OR Ø 11x2 2044-2123-2205-2210	3
29	71.2238.56	Vite fissaggio pistone	3
30	90.0797.00	Anello di fermo Ø 52	3
31	71.2272.66 71.2266.66 71.2254.66 71.2240.66	Anello per tenuta Ø 28 Anello per tenuta Ø 30 Anello per tenuta Ø 36 Anello per tenuta Ø 40	3 3 3 3
32	90.2381.00 90.2759.50 90.2400.00 90.2450.00	Anello ten. alt. Ø 28x34.15 LP 2119-2210 Anello ten. alt. Ø 30x36.1 LP 2204-2205 Anello ten. alt. Ø 36x42.15 LP 212-2123 Anello ten. alt. Ø 40x46.15 LP 2033-2044	3 3 3 3
33	71.2273.66 71.2267.66 71.2253.66 71.2239.66	Supporto guarnizioni Ø 28 Supporto guarnizioni Ø 30 Supporto guarnizioni Ø 36 Supporto guarnizioni Ø 40	3 3 3 3
34	90.3891.00	OR Ø 52.07x2.62 (3206) 2044-2123-2205-2210	3
35	90.2380.00 90.2771.00 90.2410.00 90.2460.00	Anello ten. alt. Ø 28x45x9 HP 2119-2210 Anello ten. alt. Ø 30x45x9 HP 2204-2205 Anello ten. alt. Ø 36x48x8 HP 212-2123 Anello ten. alt. Ø 40x55x10 HP 2033-2044	3 3 3 3
36	70.2222.66 71.2255.66	Distanziale per tenuta Ø 28-30 Distanziale per tenuta Ø 36	3 3
37	71.1286.36 71.1277.36 71.1285.36 71.1275.36 71.1276.36	Testata Ø 28-30 Testata Ø 36 Testata Ø 36 - NPT Testata Ø 40 Testata Ø 40 - NPT	1 1 1 1 1
38	99.4482.00	Vite M12x150 UNI 5931	8
39	99.4295.00	Vite M12x35 UNI 5931	14

POS	COD.	DESCRIZIONE - DESCRIPTION KIT	NR
40	71.2236.36	Coperchio valvole	2
41	71.2237.66	Tappo valvole aspirazione/mandata	6
42	90.5250.00	Anello antiest. Ø 50.9x55x1.5 2044-2123-2205-2210	6
43	90.3889.00	OR Ø 48.89x2.62 (3193) 2042-2043-2044-2123-2205-2210	12
44	36.2045.51	Guida valvola asp./mand. 2042-2043	6
45	94.7550.00	Molla Ø 25.2x26 2043	3
46	36.2086.51	Guida valvola interna 2042-2043	6
47	36.2092.02	Valvola sferica 2042-2043	6
48	36.2072.56	Sede valvola 2042-2043	6
49	90.5240.00	Anello antiest. Ø 49.5x54x.15 2042-2043-2044-2123-2205-2210	6
50	94.7540.00	Molla Ø 24.7x27 2042	3
51	36.7156.01	Gruppo valvola di mandata 2043	3
52	36.7155.01	Gruppo valvola d'aspirazione 2042	3
53	98.2181.00	Tappo G 1/2"x13	3
54	71.0307.01	Biella - Completa	3
56	90.9243.00 90.9244.00 90.9245.00	Semiboc. testa biella - Inf. 2135 Semiboc. testa biella +0.25 - Inf. 2154 Semiboc. testa biella +0.50 - Inf. 2155	3 3 3
57	90.9240.00 90.9241.00 90.9242.00	Semiboc. testa biella - Sup. 2135 Semiboc. testa biella +0.25 - Sup. 2154 Semiboc. testa biella +0.50 - Sup. 2155	3 3 3
58	71.2259.51	Cappuccio tappo carter	3
59	71.2258.51	Tappo carter	6
60	71.2230.74	Staffa di sollevamento	1
61	99.4266.00	Vite M12x25 UNI 5739	1

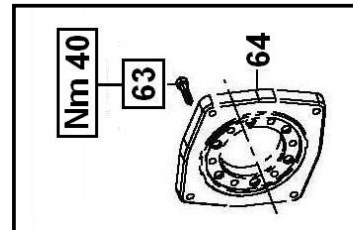
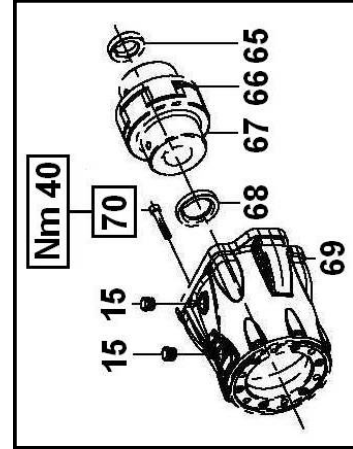
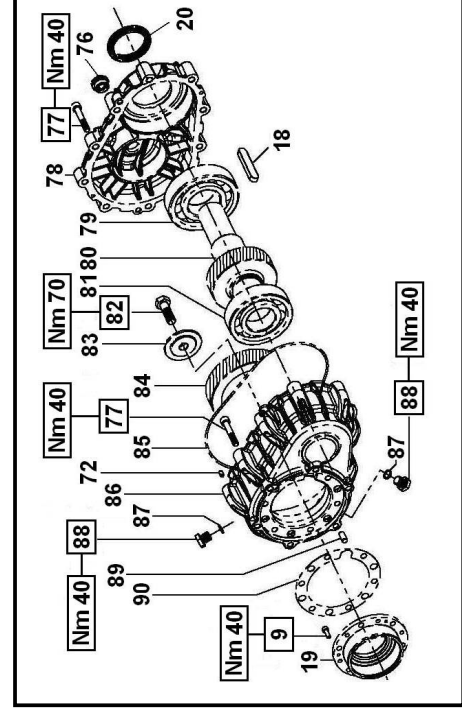
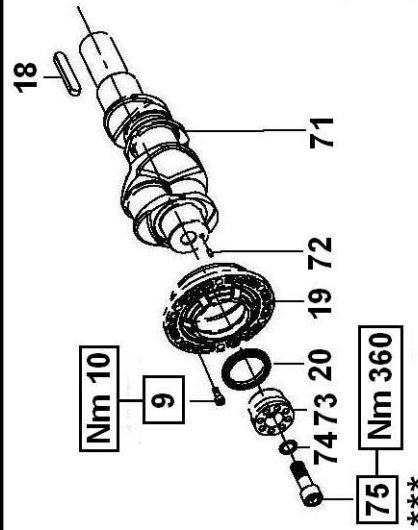
## AZIONAMENTI SPECIALI – SPECIAL DRIVES

AZIONAMENTO DIRETTO CON FLANGIA TIPO A DIRECT DRIVE WITH FLANGE TYPE A			
POS	COD.	DESCRIZIONE – DESCRIPTION - KIT	NR
63	99.3098.00	Vite M8x35 UNI 5931	6
64	10.0677.20	Flangia per motore idraulico	1
AZIONAMENTO IDRAULICO CON CAMPANA E GIUNTO SAE-C HYDRAULIC DRIVE WITH FLANGE AND FLEXIBLE COUPLING SAE-C			
15	98.2060.00	Tappo per foro Ø 15	4
65	10.0745.70	Distanziale Ø 31.75 h.10.5	1
66	10.0749.47	Elemento elastico	1
67	10.7428.01	Giunto elastico Ø 40x31.75	1
68	10.0746.70	Distanziale Ø 40 h.10	1
69	10.0750.20	Flangia per motore idraulico SAE-C	1
70	99.3146.00	Vite M8x50 UNI 5931	6
AZIONAMENTO CON PRESA DI FORZA AUSILIARE DRIVE WITH AUXILIARY PTO			
9	99.1868.00	Vite M6x18 UNI 5931	6
18	91.5000.00	Linguetta 12x8x70 UNI 6604	1
19	71.1500.22	Coperchio cuscinetto lato PTO	1
20	90.1700.00	Anello rad. Ø 50x65x8	1
71	71.0207.35	Albero ecc. con 2° presa di forza	1
72	97.6152.00	Spina Ø 5x10	1
73	71.2265.54	Dispositivo presa di forza ausiliare	1
74	96.7378.00	Rosetta Ø 17x24x1	1
75	99.5142.00	Vite M16x45 UNI 5931	1

## AZIONAMENTO CON RIDUTTORE DRIVE WITH GEARBOX

POS	COD.	DESCRIZIONE – DESCRIPTION – KIT	NR
9	99.1868.00	Vite M6x18 UNI 5931	6
18	91.5000.00	Linguetta 12x8x70 UNI 6604 2073-2074-2075	1
19	71.1500.22	Coperchio cuscinetto lato PTO	1
20	90.1700.00	Anello rad. Ø 50x65x8 2073-2074-2075	1
72	97.6152.00	Spina Ø 5x10 2073-2074-2075	2
76	97.5940.00	Spia livello olio G 1/2" 2073-2074-2075	1
77	99.3146.00	Vite M8x50 UNI 5931 2073-2074-2075	16
78	72.2109.20	Coperchio scatola riduttore 2073-2074-2075	1
79	91.8593.00	Cuscinet. a sfere 6310 2073-2074-2075	1
80	10.0708.35	Pignone Z27-R.1.25 - Elicoidale 2073	1
	10.0709.35	Pignone Z25-R.1.50 - Elicoidale 2074	1
	10.0710.35	Pignone Z22-R.1.83 - Elicoidale 2075	1
81	91.8577.00	Cuscinet. a sfere 6309 2073-2074-2075	1
82	99.4307.00	Vite M12x40 UNI 5737 2073-2074-2075	1
83	72.2110.55	Rondella fissag. corona 2073-2074-2075	1
84	10.0711.35	Corona Z34-R.1.25 - Elicoidale 2073	1
	10.0712.35	Corona Z37-R.1.50 - Elicoidale 2074	1
	10.0713.35	Corona Z40-R.1.83 - Elicoidale 2075	1
85	90.3948.00	OR Ø 209.22x2.62 2073-2074-2075	1
86	72.2108.20	Scatola riduttore 2073-2074-2075	1
87	90.3585.00	OR Ø 10.82x1.78 (2043) 2073-2074-2075	2
88	98.2047.00	Tappo G 1/4"x13 2073-2074-2075	2
89	97.6185.00	Spina Ø 8x18 2073-2074-2075	1
90	72.2107.84	Guarnizione scatola riduttore 2073-2074-2075	1

**\*\*\* Fissare con Loctite 243 col. BLU**  
**\*\*\* Affix with Loctite 243 col. BLUE**  
**\*\*\* Fixer avec de la Loctite 243 couleur BLUE**  
**\*\*\* Mit Loctite 243 BLAU befestigen**  
**\*\*\* Fijar con Loctite 243 col. AZUL**  
**\*\*\* Fixar com Loctite 243 cor. BLUE**

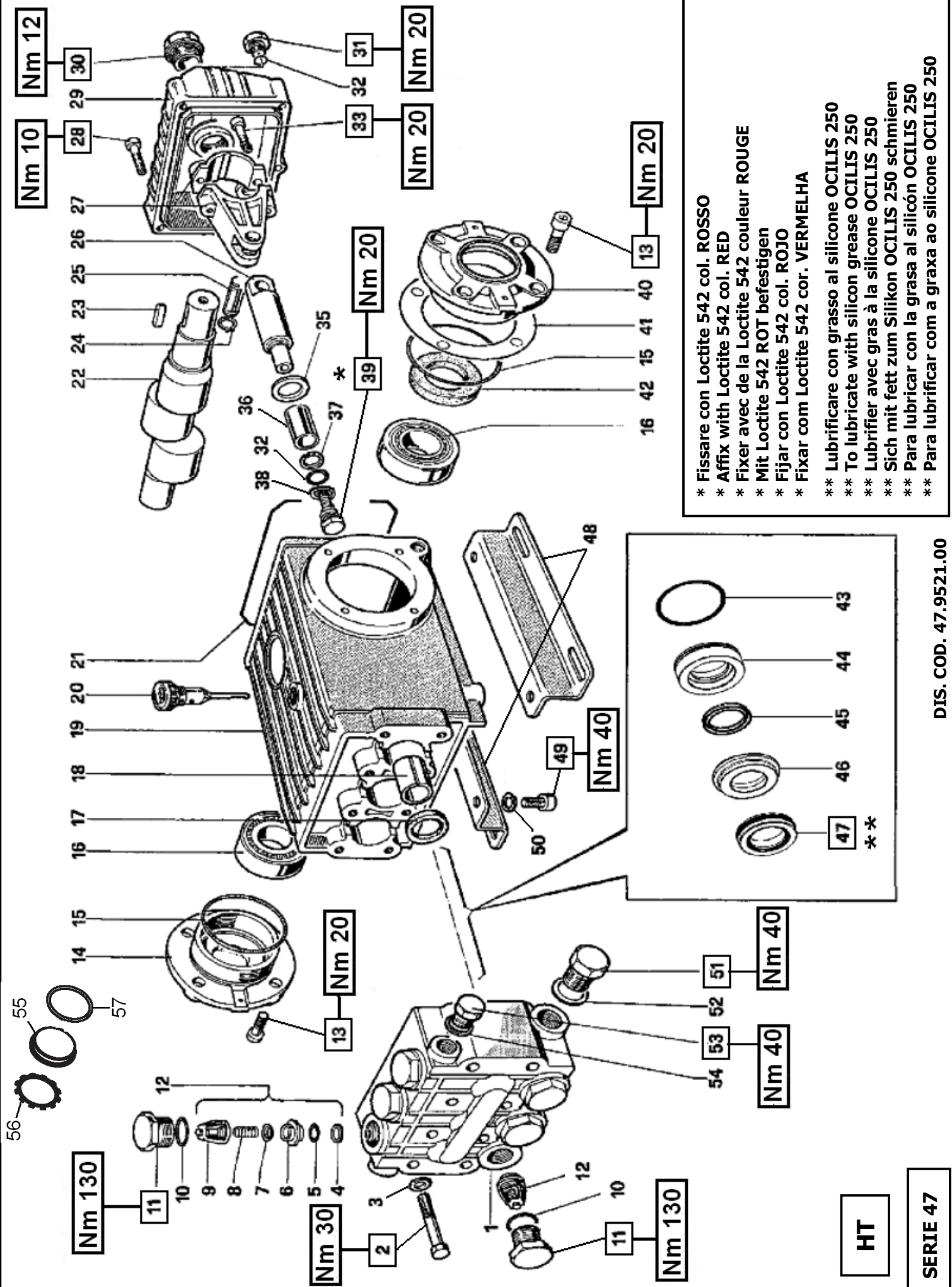


## KIT RICAMBI – SPARE KITS

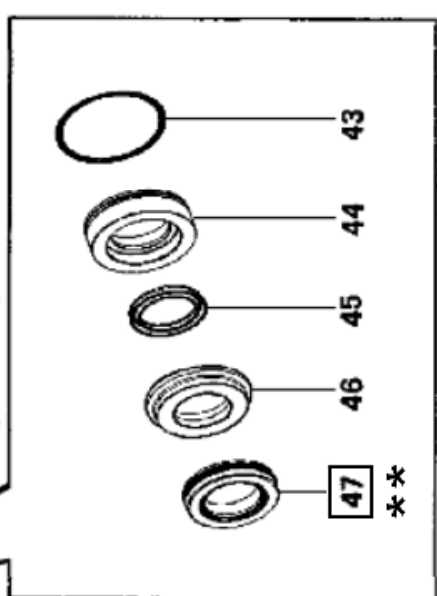
KIT NR.	KIT 2073	KIT 2074	KIT 2075
Posizioni incluse Positions included	18 - 20 - 70 71 - 72 - 73 74 - 75 - 76 77 - 78 - 79 80 - 81 - 82 83 - 84 - 85	18 - 20 - 70 71 - 72 - 73 74 - 75 - 76 77 - 78 - 79 80 - 81 - 82 83 - 84 - 85	18 - 20 - 70 71 - 72 - 73 74 - 75 - 76 77 - 78 - 79 80 - 81 - 82 83 - 84 - 85
Nr. Pcs.	1	1	3







- \* Fissare con Loctite 542 col. ROSSO
- \* Affix with Loctite 542 col. RED
- \* Fixer avec de la Loctite 542 couleur ROUGE
- \* Mit Loctite 542 ROT befestigen
- \* Fijar con Loctite 542 col. ROJO
- \* Fixar com Loctite 542 cor. VERMELHA
- \*\* Lubrificare con grasso al silicone OCILIS 250
- \*\* To lubricate with silicon grease OCILIS 250
- \*\* Lubrifier avec gras à la silicone OCILIS 250
- \*\* Sich mit fett zum Silikon OCILIS 250 schmieren
- \*\* Para lubricar con la grasa al silicón OCILIS 250
- \*\* Para lubrificar com a graxa ao silicone OCILIS 250



**HT**

**SERIE 47**

DIS. COD. 47.9521.00



# HT4715 – HT4718 HT4721 – HT4723

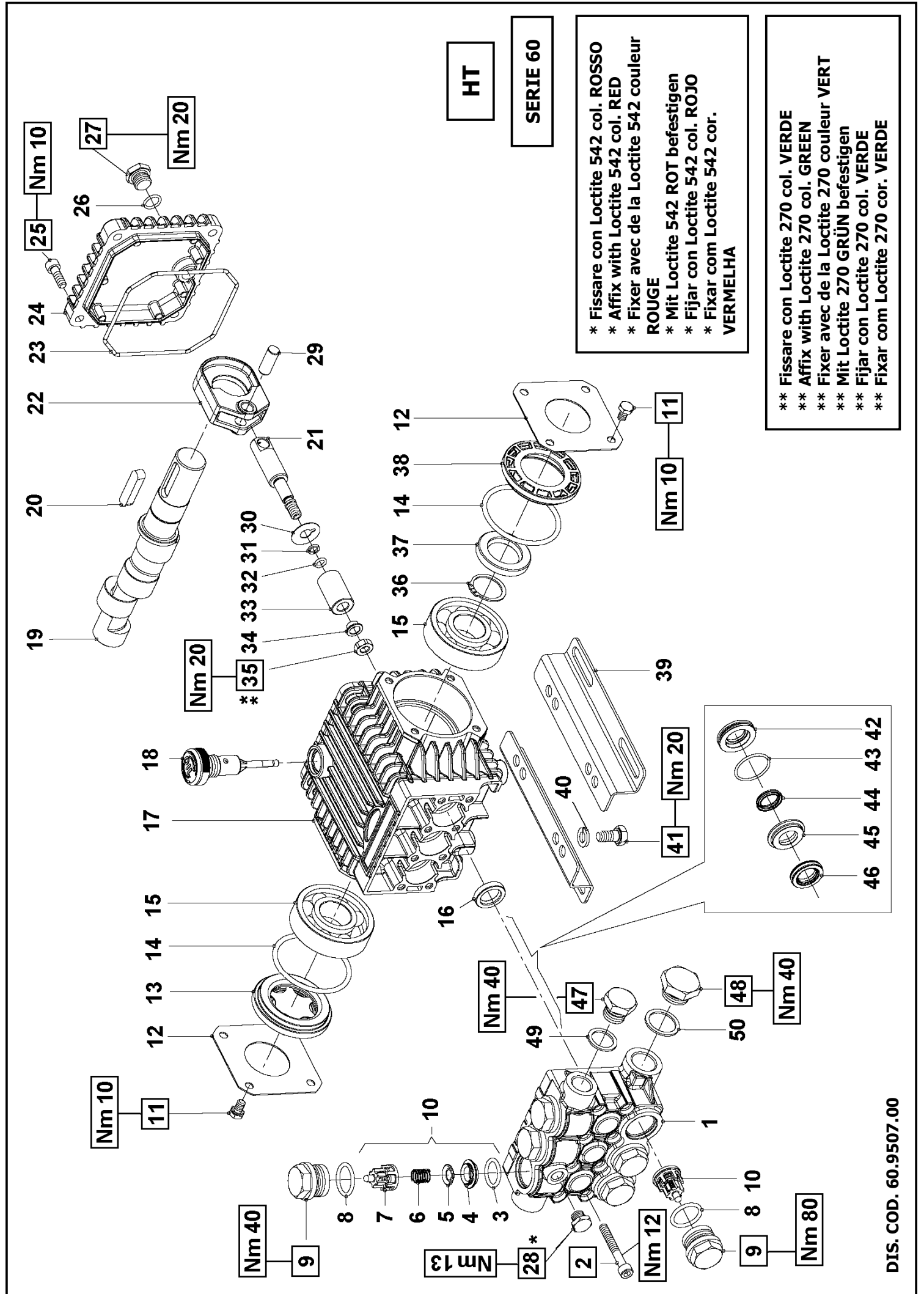
POS	COD.	DESCRIZIONE – DESCRIPTION – KIT	NR
1	47.1209.41	Testata Ø 22 - NICKEL	1
2	99.3206.00	Vite M8x70 UNI 5737	8
3	96.7020.00	Rosetta Ø 8 UNI 1736	8
4	90.5105.00	Anello antiest. Ø 17.4x21.9x1.8	201
5	90.3400.00	Anello tenuta Ø 17.1x22.3x1.8	201
6	36.2003.66	Sede valvola	201
7	36.2001.76	Valvola	201
8	94.7376.00	Molla Ø 9.4x14.8 INOX	201
9	36.2002.51	Guida valvola	201
10	90.3847.00	OR Ø 20.24x2.62 (3081) – 90 Sh.	5
11	98.2222.00	Tappo M24x2x16.5 - NICKEL	5
12	36.7049.01	Gruppo valvola aspiraz. / mand.	201
13	99.3039.00	Vite M8x16 UNI 5931	8
14	47.1512.22	Coperchio cuscinetto	1
15	90.3913.00	OR Ø 67.95x2.62 (3268)	2
16	91.8378.00	Cuscinetto a rulli 32206	2
17	90.1625.00	Anello rad. Ø 22x32x6.5	2
18	90.9126.00	Boccola Ø 22x25x30	3
19	47.0100.22	Carter pompa	1
20	98.2106.00	Tappo carico olio G 3/8"	1
21	90.3922.00	OR Ø 133.02x2.62 (3525)	1
22	47.0219.35	Albero – HT4715	1
	47.0218.35	Albero – HT4718	1
	47.0221.35	Albero – HT4721	1
	47.0224.35	Albero – HT4723	1

## KIT RICAMBI – SPARE KITS

KIT Nr.	KIT 2	KIT 3	KIT 5	KIT 6	KIT 201	KIT 202	KIT 203
Posizioni include Positions included	17	42	10 - 11	32 - 35 37 - 38 39	4 - 5 6 - 7 8 - 9 (12)	45 - 47	43 - 44 45 - 46 47
Nr. Pcs.	3	2	6	3	6	3	1

POS	COD.	DESCRIZIONE – DESCRIPTION – KIT	NR
23	91.4892.00	Linguetta 9x7x35 UNI 6604	1
24	90.0557.00	Anello di fermo Ø 12	6
25	97.7380.00	Spinotto Ø 13x35.5	3
26	47.0504.66	Guida pistone	3
27	47.0300.01	Biella completa	3
28	99.1912.00	Vite M6x30 UNI 5931	5
29	47.1601.22	Coperchio posteriore	1
30	97.5968.00	Spia livello olio G 3/4"	2
31	98.2041.00	Tappo G 1/4"x9	1
32	90.3585.00	OR Ø 10.82x1.78 (2043)	6
33	99.3099.00	Vite M8x35 UNI 5931	6
35	96.7286.00	Rosetta Ø 14x28x0.5	6
36	47.0405.09	Pistone Ø 22	3
37	90.5067.00	Anello antiest. Ø 11x14x1.5	6
38	96.7280.00	Rosetta Ø 14x18.5x0.5	6
39	47.2195.66	Vite fissaggio pistone	6
40	47.1510.22	Coperchio cuscinetto	1
41	97.5678.00	Spessore	2
42	90.1648.00	Anello rad. Ø 30x55x7	3
43	90.3616.00	OR Ø 34.65x1.78 (2137)	203
44	47.0814.70	Anello di fondo Ø 22	203
45	90.2300.00	Anello ten. alt. Ø 22x28.15 LP	202-203
46	47.2175.70	Anello intermedio Ø 22	203

POS	COD.	DESCRIZIONE – DESCRIPTION – KIT	NR
47	90.2310.00	Anello ten. alt. Ø22x35x9	202-203
48	47.2000.74	Piedino	2
49	99.3644.00	Vite M10x18 UNI 5931	4
50	96.7106.00	Rosetta Ø 10 DIN 7980	4
51	98.2179.00	Tappo G 1/2"x10 - NICKEL	1
52	96.7514.00	Rosetta Ø 21.5x27x1.5	1
53	98.2099.00	Tappo G 3/8"x13 - NICKEL	1
54	96.7380.00	Rosetta Ø 17.5x23x1.5	1
55	70.2118.01	Spia livello olio	1
56	90.0756.00	Anello di fermo Ø45	1
57	90.3877.00	OR Ø 39.34x2.62 (3156)	1





# HT6004 – HT6007 HT6008

## KIT RICAMBI – SPARE KITS

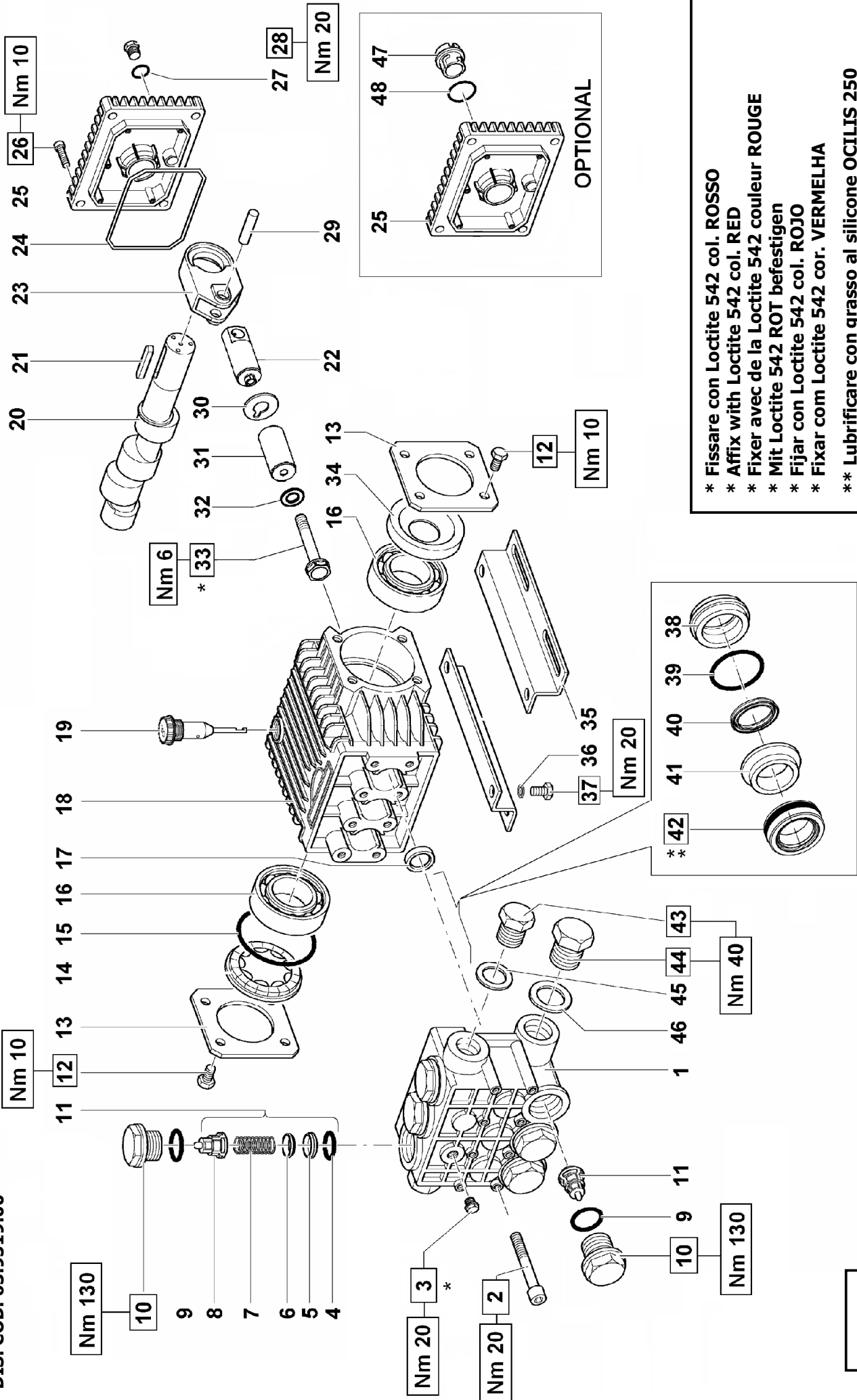
KIT Nr.	KIT 83	KIT 123	KIT 243	KIT 244
Posizioni include Positions included	16	3 - 4 5 - 6 7 (10)	44 - 46	42 - 43 44 - 45 46
Nr. Pcs.	3	6	3	1

POS	COD.	DESCRIZIONE – DESCRIPTION - KIT	NR
1	60.1212.41	Testata pompa Ø 15 – NICKEL	1
2	99.1950.00	Vite M6x45 UNI 5931	8
3	90.3841.00	OR Ø 17.13x2.62 (3068)	123
4	36.2003.66	Sede valvola	123
5	36.2001.76	Valvola sferica	123
6	94.7376.00	Molla Ø 9.4x14.8 – INOX	123
7	36.2025.51	Guida valvola	123
8	90.3847.00	OR Ø 20.24x2.62 – Sh.90 (3081)	6
9	98.2213.00	Tappo M24x1.5 - NICKEL	6
10	36.7115.01	Gruppo valvola aspiraz./mandata	123
11	99.1807.00	Vite M8x10 UNI 5739	8
12	50.1500.74	Coperchio laterale carter	2
13	44.2118.01	Distanziale con indicatore	1
14	90.4097.00	OR Ø 55.56x3.53 (159)	1
15	91.8331.00	Cuscinetto a sfere 6305	2
16	90.1565.00	Anello rad. Ø 15x24x5	83
17	60.0100.22	Carter pompe	1
18	98.2103.00	Tappo carico olio G 3/8"	1
19	60.0204.65	Albero ecc. – HT6004	1
	60.0212.65	Albero ecc. – HT6007	1
	60.0217.65	Albero ecc. – HT6008	1
20	91.4892.00	Linguetta 8x7x35 UNI 6604	1
21	60.0500.66	Guida pistone	3

POS	COD.	DESCRIZIONE – DESCRIPTION - KIT	NR
22	60.0300.22	Biella	3
23	90.3918.00	OR Ø 94.92x2.62 (3375)	1
24	60.1600.22	Coperchio posteriore carter	1
25	99.1867.00	Vite M6x18 UNI 5931	4
26	90.3585.00	OR Ø 10.82x1.78 (2043)	1
27	98.2041.00	Tappo G 1/4"x9	1
28	98.1967.00	Tappo G 1/8"x8 - NICKEL	1
29	97.7333.00	Spinotto Ø 9x24.5	3
30	96.7070.00	Rosetta Ø 9x23x1.5	3
31	90.5022.00	Anello antiest. Ø 6.2x9x1.5	3
32	90.3573.00	OR Ø 5.28x1.78 (2021)	3
33	60.0400.09	Pistone Ø 15x30	3
34	44.2115.70	Rosetta Ø 8 con collare	3
35	92.2215.00	Dado M8x12x5	3
36	90.0635.00	Anello seeger Ø 25 UNI 7435	1
37	90.1634.00	Anello rad. Ø 25x42x7	1
38	50.2115.51	Distanziale	1
39	50.2000.74	Piedino pompa	2
40	96.7016.00	Rosetta Ø 8.4 UNI 1751	4
41	99.3037.00	Vite M8x16 UNI 5739	4
42	60.0802.70	Anello di fondo Ø 15	244
43	90.3604.00	OR Ø 25.12x1.78 (2100)	244

POS	COD.	DESCRIZIONE – DESCRIPTION - KIT	NR
44	90.2150.00	Anello ten. alt. Ø 15x19.5 LP	243-244
45	60.2162.70	Anello intermedio Ø 15	244
46	90.2162.00	Anello ten. alt. Ø 15x25x5.2 HP	243-244
47	98.2099.00	Tappo G 3/8"x13 - NICKEL	1
48	98.2179.00	Tappo G 1/2"x10 - NICKEL	1
49	96.7380.00	Rosetta Ø 17.5x23x1.5	1
50	96.7514.00	Rosetta Ø 21.5x27x1.5	1

DIS. COD. 63.9519.00



- \* Fissare con Loctite 542 col. ROSSO
- \* Affix with Loctite 542 col. RED
- \* Fixer avec de la Loctite 542 couleur ROUGE
- \* Mit Loctite 542 ROT befestigen
- \* Fijar con Loctite 542 col. ROJO
- \* Fixar com Loctite 542 cor. VERMELHA
- \*\* Lubrificare con grasso al silicone OCILIS 250
- \*\* To lubricate with silicon grease OCILIS 250
- \*\* Lubrifier avec gras à la silicone OCILIS 250
- \*\* Sich mit fett zum Silikon OCILIS 250 schmieren
- \*\* Para lubricar con la grasa al silicón OCILIS 250
- \*\* Para lubrificar com a graxa ao silicone OCILIS 250

**HTS**

**SERIE 63**



# HTS6311 – HTS6313 HTS6315

## KIT RICAMBI – SPARE KITS

KIT Nr.	KIT 123	KIT 158	KIT 159	KIT 204	KIT205
Posizioni incluse Positions included	4 - 5 6 - 7 8 (11)	9 - 10	17	40 - 42	38 - 39 40 - 41 42
Nr. Pcs.	6	6	3	3	1

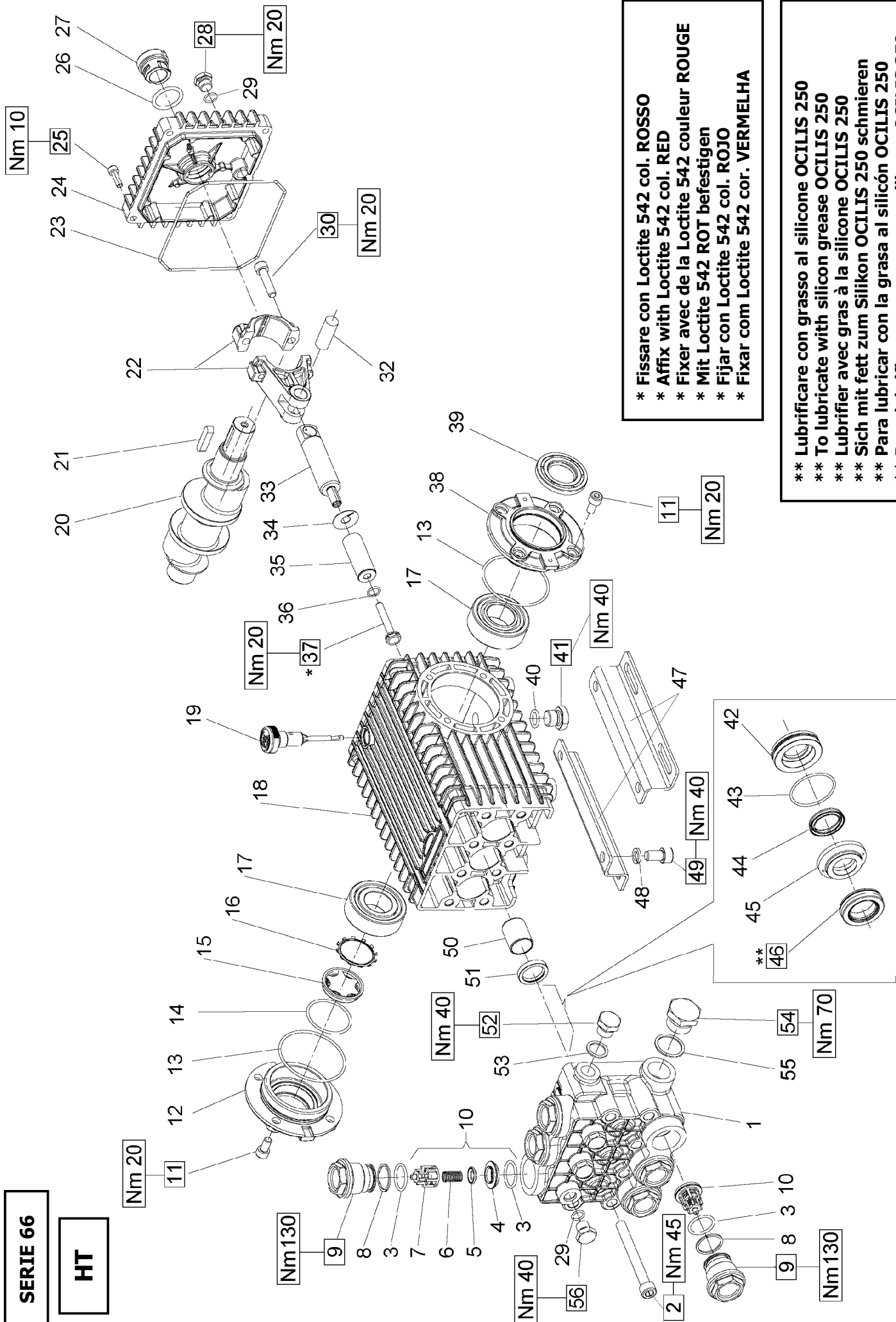
POS	COD.	DESCRIZIONE – DESCRIPTION - KIT	NR
1	63.1213.41	Testata Ø 18 – NICKEL	1
2	99.3192.00	Vite M8x65 UNI 5931	8
3	98.2042.00	Tappo G 1/4"x9 – NICKEL	1
4	90.3841.00	OR Ø 17.13x5.62	123
5	36.2003.66	Sede valvola	123
6	36.2001.76	Valvola	123
7	94.7376.00	Molla Ø 9.4x14.8 - INOX	123
8	36.2025.51	Guida valvola	123
9	90.3847.00	OR Ø 20.24x2.62 (3081) – 90 Sh. 158	6
10	98.2225.00	Tappo M24x1.5 - NICKEL	158
11	36.7115.01	Gruppo valvola aspiraz./mand.	123
12	99.1807.00	Vite M8x10 UNI 5739 – Zinc.	8
13	50.1500.74	Coperchio laterale	2
14	44.2118.01	Distanziale con indicatore	1
15	90.4097.00	OR Ø 55.56x3.53 (159)	1
16	91.8331.00	Cuscinetto a sfere 6305	2
17	90.1595.00	Anello rad. Ø 18x26x6	159
18	63.0100.22	Carter pompa	1
19	98.2103.00	Tappo carico olio G 3/8"	1
20	63.0212.65 63.0218.65 63.0216.65	Albero – HTS6311 Albero – HTS6313 Albero – HTS6315	1 1 1
21	91.4892.00	Linguetta	1

POS	COD.	DESCRIZIONE – DESCRIPTION – KIT	NR
22	63.0505.66	Guida pistone	3
23	63.0200.22	Biella	3
24	90.3920.00	OR Ø 101.27x2.62 (3400)	1
25	63.1600.22 63.1601.22	Coperchio posteriore - OPTIONAL Coperchio posteriore	1 1
26	99.1837.00	Vite M6x14 UNI 5931 – Zimc	4
27	90.3585.00	OR Ø 10.82x1.78 (2043)	1
28	98.2041.00	Tappo G 1/4"x9	1
29	97.7335.00	Spinotto Ø 9x27.5	3
30	96.7000.00	Rosetta Ø 7.5x25x0.5	3
31	63.0405.09	Pistone Ø 18x38.5	3
32	96.6905.00	Rosetta Ø 5x9x0.5 – INOX+PTFE	3
33	99.1680.00	Vite M5x50 UNI5737	3
34	90.1641.00	Anello rad. Ø 25x62x10	1
35	50.2000.74	Piedino	2
36	96.7016.00	Rosetta Ø 8.4 UNI 1751 – Zinc.	4
37	99.3037.00	Vite M8x16 UNI 5739 – Zinc.	4
38	63.0803.70	Anello di fondo Ø 18	205
39	90.3608.00	OR Ø 28.3x1.78 (2112)	205
40	90.2200.00	Anello ten. alt. Ø 18x22.5 LP	204-205
41	63.2161.70	Anello intermedio Ø 18	205
42	90.2210.00	Anello ten. alt. Ø 18x28x10 HP	204-205
43	98.2099.00	Tappo G 3/8"x13 – NICKEL	1

POS	COD.	DESCRIZIONE – DESCRIPTION - KIT	NR
44	98.2179.00	Tappo G 1/2"x10 – NICKEL	1
45	96.7380.00	Rosetta Ø 17.5x23x1.5	1
46	96.7514.00	Rosetta Ø 21.5x27x1.5	1
47	63.2100.51	Spia livello olio – OPTIONAL	1
48	90.4051.00	OR Ø 26.58x3.53 (4106) – OPTIONAL	1

**SERIE 66**

**HT**



\* Fissare con Loctite 542 col. ROSSO  
\* Affix with Loctite 542 col. RED  
\* Fixer avec de la Loctite 542 couleur ROUGE  
\* Mit Loctite 542 ROT befestigen  
\* Fijar con Loctite 542 col. ROJO  
\* Fixar com Loctite 542 cor. VERMELHA

\*\* Lubrificare con grasso al silicone OCILIS 250  
\*\* To lubricate with silicon grease OCILIS 250  
\*\* Lubrifier avec gras à la silicone OCILIS 250  
\*\* Sich mit fett zum Silikon OCILIS 250 schmieren  
\*\* Para lubricar con la grasa al silicón OCILIS 250  
\*\* Para lubrificar com a graxa ao silicone OCILIS 250





# HT6628 – HT6639 – HT6646 – HT6635

<b>PISTONE - PISTON Ø 20</b>		<b>PISTONE - PISTON Ø 22</b>
<b>HT6628- HT6635</b>		<b>HT6639</b>
<b>PISTONE - PISTON Ø 24</b>		
<b>HT6646</b>		

POS	COD.	DESCRIZIONE – DESCRIPTION - KIT	NR
1	66.1206.41	Testata Ø 20 - NICKEL	1
	66.1207.41	Testata Ø 22 - NICKEL	1
	66.1208.41	Testata Ø 24 - NICKEL	1
2	99.3801.00	Vite M10x90 UNI 5931	8
3	90.3857.00	OR Ø 23.81x2.62 (132)	169
4	36.2033.66	Sede valvola sferica	169
5	36.2034.76	Valvola	169
6	94.7388.00	Molla Ø 10x18.5	169
7	36.2035.51	Guida valvola	169
8	90.5165.00	Anello antiest. Ø 24.7x29x1.5	6
9	66.1303.41	Tappo M32x1.5x29.5	6
10	36.7127.01	Gruppo valvola aspiraz. / mand.	169
11	99.3039.00	Vite M8x16 UNI 5931	8
12	47.1512.22	Coperchio cuscinetto lato spia	1
13	90.3913.00	OR Ø 67.95x2.62 (3268)	2
14	90.3877.00	OR Ø 39.34x2.62 (3156)	1
15	70.2118.01	Spia livello olio	1
16	90.0756.00	Anello di arresto Ø 45	1
17	91.8380.00	Cuscinetto a rulli NJ 2206 EC	2
18	66.0100.22	Carter pompa	1
19	98.2106.00	Tappo carico olio G 3/8"	1

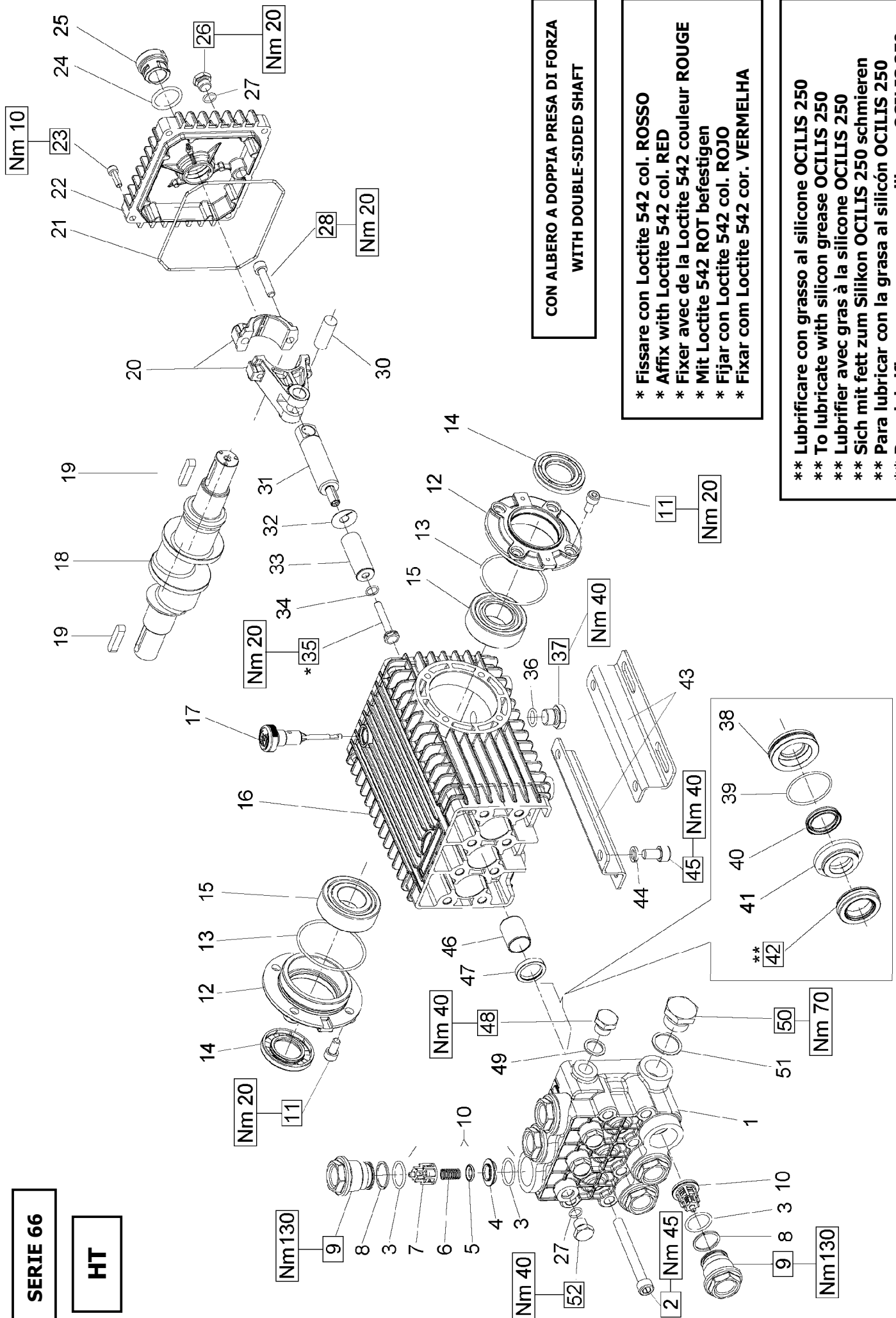
# KIT RICAMBI – SPARE KITS

KIT Nr.	PISTONE - PISTON Ø 20			PISTONE - PISTON Ø 22			PISTONE - PISTON Ø 24		
	KIT 2	KIT 3	KIT 169	KIT 206	KIT 207	KIT 208	KIT 209	KIT 210	KIT 211
Posizioni include Positions included	51	39	3-4 5-6 7 (10)	44-46	42-43 44-45 46	44-46	42-43 44-45 46	44-46	42-43 44-45 46
Nr. Pcs.	3	2	6	3	1	3	1	3	1

POS	COD.	DESCRIZIONE – DESCRIPTION - KIT	NR	POS	COD.	DESCRIZIONE – DESCRIPTION - KIT	NR
20	66.0200.35	Albero – HT6628	1	42	66.0812.70	Anello di fondo Ø 20	207
	66.0204.35	Albero – HT6639 – HT6646 – HT6635	1		66.0813.70	Anello di fondo Ø 22	209
					66.0814.70	Anello di fondo Ø 24	211
21	91.4892.00	Linguetta 9x7x35 UNI 6604	1	43	90.3616.00	OR Ø34.65x1.78 (2137)	207-209-211
22	66.0300.01	Biella completa	3		90.2250.00	Anello tenuta Ø20x26.15 LP	206-207
					90.2300.00	Anello tenuta Ø22x28.15 LP	208-209
23	90.3922.00	OR Ø 133.02x2.62 (3525)	1		90.2350.00	Anello tenuta Ø24x30.15 LP	210-211
24	66.1600.22	Coperchio posteriore	1		66.2160.70	Anello intermedio Ø 20	207
					66.2161.70	Anello intermedio Ø 22	209
25	99.1884.00	Vite M6x20 UNI 5931	4		66.2164.70	Anello intermedio Ø 24	211
26	90.4051.00	OR Ø 26.58x3.53 (4106)	1		90.2260.00	Anello tenuta Ø20x30x10 HP	206-207
					90.2312.00	Anello tenuta Ø22x32x10 HP	208-209
27	63.2100.51	Spia livello olio	1		90.2360.00	Anello tenuta Ø24x34x10 HP	210-211
28	98.2041.00	Tappo G 1/4"x9	1	47	47.2000.74	Piedino fissaggio pompa	2
29	90.3585.00	OR Ø 10.82x1.78 (2043)	4	48	96.7106.00	Rosetta Ø 10.2 DIN 7980	4
30	99.3099.00	Vite M8x35 UNI 5931	6	49	99.3644.00	Vite M10x18 UNI 5931	4
32	97.7405.00	Spinotto Ø 14x39	3	50	90.9126.00	Boccola Ø 22x25x30	3
33	66.0500.66	Guida pistone	3	51	90.1625.00	Anello rad. Ø 22x32x5.5	2
34	96.7101.00	Rosetta Ø 10x28x0.5	3	52	98.2099.00	Tappo G 3/8"x13 – NICKEL	1
				53	96.7380.00	Rosetta Ø 17.5x23x1.5	1
35	66.0400.09	Pistone Ø 20x54	3		98.2269.00	Tappo G 3/4"x16	1
	66.0401.09	Pistone Ø 22x54	3	55	96.7700.00	Rosetta Ø 26.5x32x1.5	1
	66.0404.09	Pistone Ø 24x54	3		98.2047.00	Tappo G 1/4"x13	3
36	90.3584.00	OR Ø 10.82x1.78 (2043) - 90 Sh.	3				
37	66.2195.66	Vite fissaggio pistone	3				
38	47.1510.22	Coperchio cuscinetto aperto	1				
39	90.1648.00	Anello rad. Ø 30x55x7	3				
40	90.3833.00	OR Ø 13.95x2.62 (3056)	1				
41	98.2100.00	Tappo G 3/8"x13	1				

**SERIE 66**

**HT**



**CON ALBERO A DOPPIA PRESA DI FORZA  
WITH DOUBLE-SIDED SHAFT**

- \* Fissare con Loctite 542 col. ROSSO
- \* Affix with Loctite 542 col. RED
- \* Fixer avec de la Loctite 542 couleur ROUGE
- \* Mit Loctite 542 ROT befestigen
- \* Fijar con Loctite 542 col. ROJO
- \* Fixar com Loctite 542 cor. VERMELHA

- \*\* Lubrificare con grasso al silicone OCILIS 250
- \*\* To lubricate with silicon grease OCILIS 250
- \*\* Lubrifier avec gras à la silicone OCILIS 250
- \*\* Sich mit fett zum Silikon OCILIS 250 schmieren
- \*\* Para lubricar con la grasa al silicón OCILIS 250
- \*\* Para lubrificar com a graxa ao silicone OCILIS 250

# HT6628

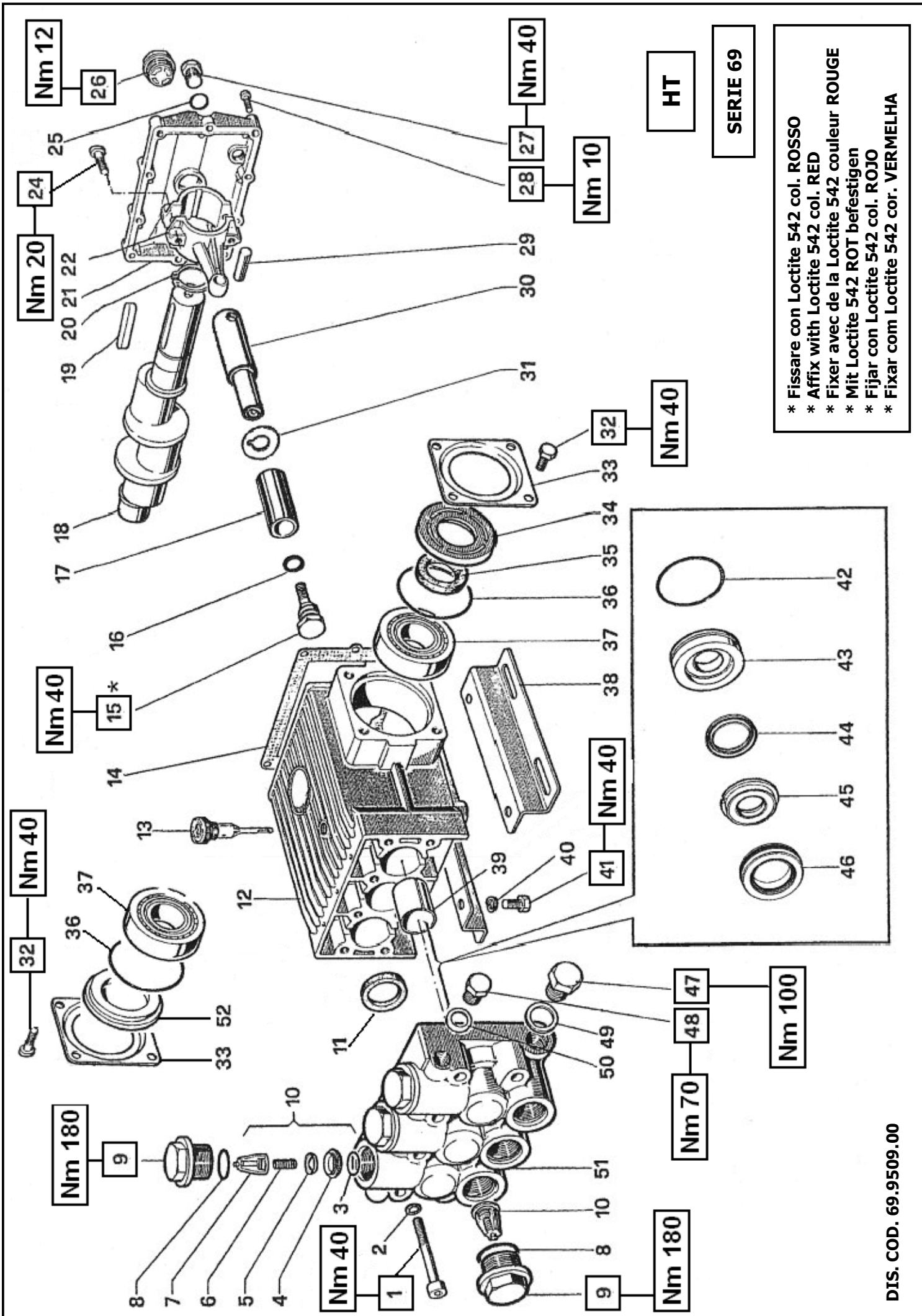
## KIT RICAMBI -- SPARE KITS

KIT Nr.	KIT 2	KIT 3	KIT 169	KIT 206	KIT 207
Posizioni include Positions included	47	14	3-4 5-6 7 (10)	40-42	38-39 40-41 42
Nr. Pcs.	3	2	6	3	1

POS	COD.	DESCRIZIONE - DESCRIPTION - KIT	NR
22	66.1600.22	Coperchio posteriore	1
23	99.1884.00	Vite M6x20 UNI 5931	4
24	90.4051.00	OR Ø 26.58x3.53 (4106)	1
25	63.2100.51	Spia livello olio	1
26	98.2041.00	Tappo G 1/4"x9	1
27	90.3585.00	OR Ø 10.82x1.78 (2043)	4
28	99.3099.00	Vite M8x35 UNI 5931	6
30	97.7405.00	Spinotto Ø 14x39	3
31	66.0500.66	Guida pistone	3
32	96.7101.00	Rosetta Ø 10x28x0.5	3
33	66.0400.09	Pistone Ø 20x54	3
34	90.3584.00	OR Ø 10.82x1.78 (2043) - 90 Sh.	3
35	66.2195.66	Vite fissaggio pistone	3
36	90.3833.00	OR Ø 13.95x2.62 (3056)	4
37	98.2100.00	Tappo G 3/8"x13	1
38	66.0812.70	Anello di fondo Ø 20	207
39	90.3616.00	OR Ø34.65x1.78 (2137)	207
40	90.2250.00	Anello tenuta Ø20x26.15 LP	206-207
41	66.2160.70	Anello intermedio Ø 20	207
42	90.2260.00	Anello tenuta Ø 20x30x10 HP	206-207
43	47.2000.74	Piedino fissaggio pompa	2

POS	COD.	DESCRIZIONE - DESCRIPTION - KIT	NR
44	96.7106.00	Rosetta Ø 10.2 DIN 7980	4
45	99.3644.00	Vite M10x18 UNI 5931	4
46	90.9126.00	Boccola Ø 22x25x30	3
47	90.1625.00	Anello rad. Ø 22x32x5.5	2
48	98.2099.00	Tappo G 3/8"x13 - NICKEL	1
49	96.7380.00	Rosetta Ø 17.5x23x1.5	1
50	98.2269.00	Tappo G 3/4"x16	1
51	96.7700.00	Rosetta Ø 26.5x32x1.5	1
52	98.2047.00	Tappo G 1/4"x13	3

POS	COD.	DESCRIZIONE - DESCRIPTION - KIT	NR
1	66.1206.41	Testata Ø 20 - NICKEL	1
2	99.3801.00	Vite M10x90 UNI 5931	8
3	90.3857.00	OR Ø 23.81x2.62 (132)	169
4	36.2033.66	Sede valvola sferica	169
5	36.2034.76	Valvola	169
6	94.7388.00	Molla Ø 10x18.5	169
7	36.2035.51	Guida valvola	169
8	90.5165.00	Anello antiest. Ø 24.7x29x1.5	6
9	66.1303.41	Tappo M32x1.5x29.5	6
10	36.7127.01	Gruppo valvola aspiraz. / mand.	169
11	99.3039.00	Vite M8x16 UNI 5931	8
12	47.1510.22	Coperchio cuscinetto aperto	2
13	90.3913.00	OR Ø 67.95x2.62 (3268)	2
14	90.1648.00	Anello rad. Ø 30x55x7	3
15	91.8380.00	Cuscinetto a rulli NJ 2206 EC	2
16	66.0100.22	Carter pompa	1
17	98.2106.00	Tappo carico olio G 3/8"	1
18	66.0210.35	Albero D.P.T.O - HT6628	1
19	91.4892.00	Linguetta 9x7x35 UNI 6604	2
20	66.0300.01	Biella completa	3
21	90.3922.00	OR Ø 133.02x2.62 (3525)	1



# HT6968

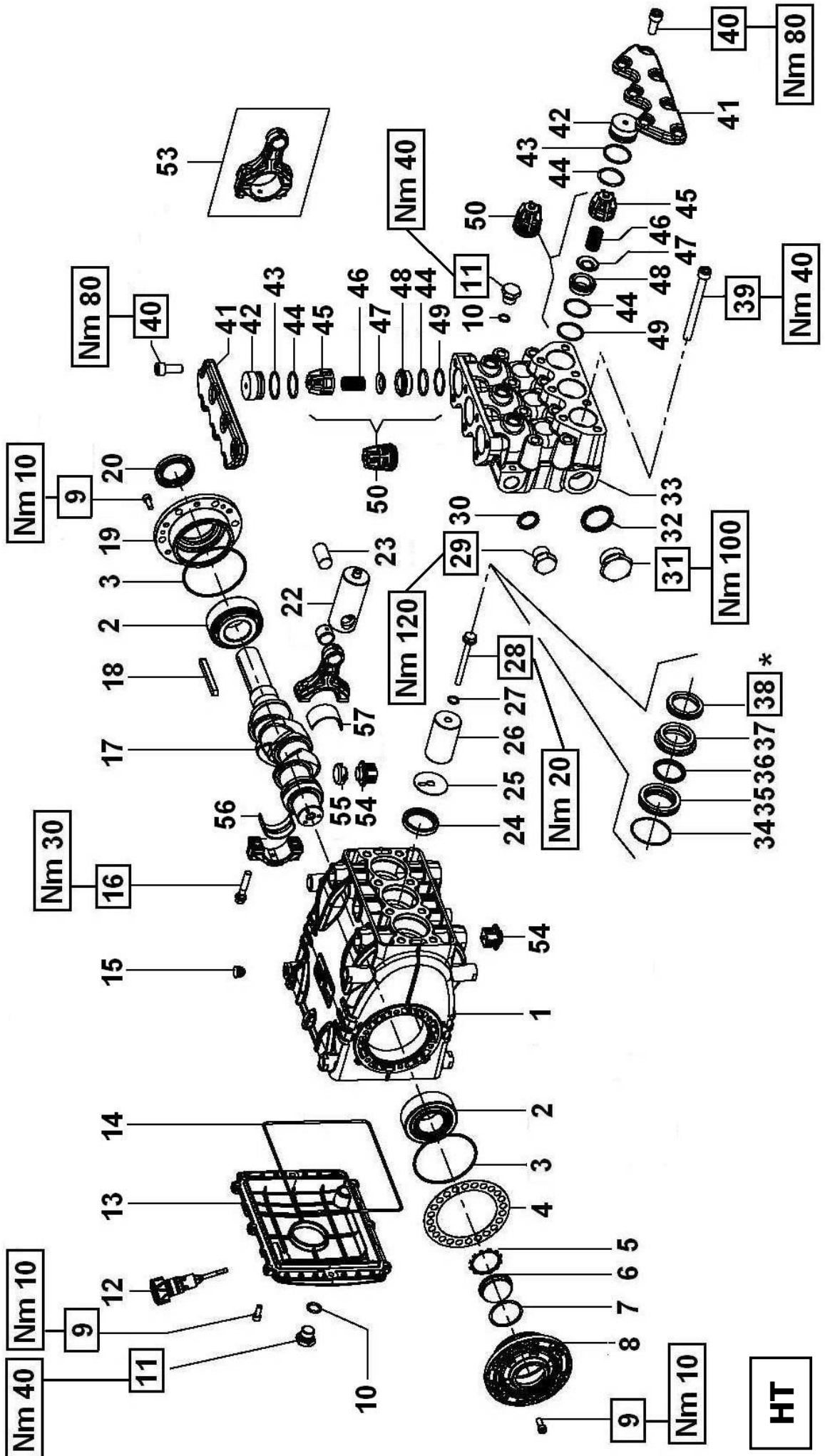
## KIT RICAMBI – SPARE KITS

KIT Nr.	KIT 32	KIT 37	KIT 43	KIT 212	KIT 213
Posizioni include Positions included	35	11	3 - 4 5 - 6 7 (10)	44 - 46	42 - 43 44 - 45 46
Nr. Pcs.	2	3	6	3	1

POS	COD.	DESCRIZIONE – DESCRIPTION - KIT	NR
25	90.3833.00	OR Ø 13.95x2.62 (3056)	1
26	97.5968.00	Spia livello olio G 3/4"	1
27	98.2100.00	Tappo G 3/8"x13	2
28	99.1867.00	Vite M6x18 UNI 5931	9
29	97.7398.00	Spinotto Ø 14x31.5	3
30	69.0503.54	Guida pistone	3
31	96.7565.00	Rosetta Ø 22.3x41x0.5	3
32	99.3636.00	Vite M10x16 UNI 5739	8
33	68.1500.74	Coperchio laterale carter	2
34	69.2115.51	Distanziale	1
35	90.1672.00	Anello rad. Ø 35x52x8	32
36	90.4131.00	OR Ø 73.03x3.53 (176)	2
37	91.8482.00	Cuscinetto a rulli NJ 307 ECP	2
38	47.2000.74	Piedino pompa	2
39	90.9162.00	Boccola Ø 32x36x40	3
40	96.7106.00	Rosetta Ø 10.2 DIN 7980	4
41	99.3644.00	Vite M10x18 UNI 5931	4
42	90.3885.00	OR Ø 45.69x2.62 (3181)	213
43	69.0805.70	Anello di fondo Ø 36	213
44	90.2400.00	Anello ten. alt. Ø 36x42.15 LP 212-213	3
45	69.2171.70	Anello intermedi Ø 36	213
46	90.2410.00	Anello ten. alt. Ø 36x48x8 HP 212-213	3
47	98.2326.00	Tappo G 1"x17 – NICKEL	1

POS	COD.	DESCRIZIONE – DESCRIPTION - KIT	NR
1	99.3810.00	Vite M10x95 UNI 5931	8
2	96.7104.00	Rosetta Ø 10.5x16x1	16
3	90.4059.00	OR Ø 32.93x3.53 (4131)	43
4	36.2011.66	Sede valvola	43
5	36.2010.76	Valvola	43
6	94.7450.00	Molla Ø 16x27.5	43
7	36.2009.51	Guida valvola	43
8	90.4065.00	OR Ø 37.69x3.53 (4150)	6
9	98.2421.00	Tappo M42x1.5x23 - NICKEL	6
10	36.7065.01	Gruppo valvola d'aspir./mandata	43
11	90.1656.00	Anello rad. Ø 32x42x7	37
12	69.0100.22	Carter pompa	1
13	98.2106.00	Tappo carico olio G 3/8"	1
14	69.2119.84	Guarnizione coperchio posteriore	1
15	69.2196.66	Vite fissaggio pistone	3
16	90.3859.00	OR Ø 25.07x2.62 (3100)	3
17	69.0400.09	Pistone Ø 36x60	3
18	69.0205.35	Albero eccentrico C.24	1
19	91.4969.00	Linguetta 10x8x40 UNI 6604	1
20	90.0695.00	Anello seeger Ø 35 UNI 7435	1
21	69.1600.22	Coperchio posteriore carter	1
22	69.0304.01	Biella – Completa	3
24	99.3099.00	Vite M8x35 UNI 5931	6

- \* Lubrificare con grasso al silicone.
- \* Lubricate with silicon grease.
- \* Graisser avec de la graisse su silicone.
- \* Schmierien mit Siilikonfett.
- \* Lubrique con grasa de silicona.
- \* Lubrifique com graxa de silicone.



**HT**

**SERIE 70**

# HT7095H



## KIT RICAMBI – SPARE KITS

KIT NR.	KIT 212	KIT 2030	KIT 2032	KIT 2156 2157-2158
Posizioni include Positions included	36 - 38	44 - 45 46 - 47 48 - 49 (50)	34 - 35 36 - 37 38	56 - 57
Nr. Pcs.	3	6	1	3

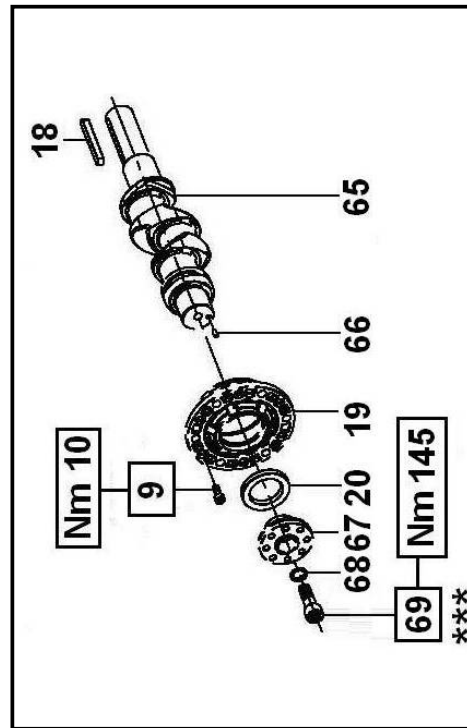
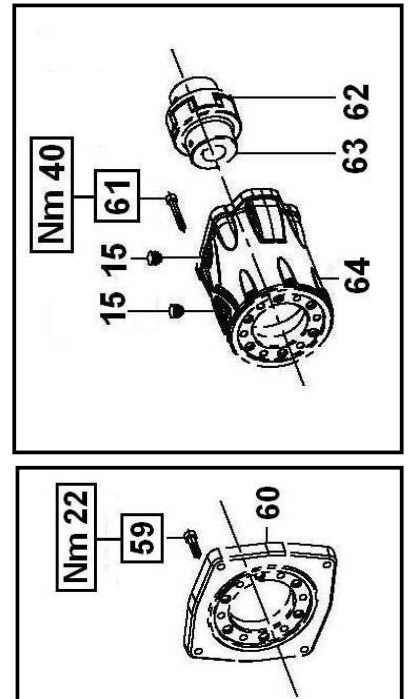
POS	COD.	DESCRIZIONE – DESCRIPTION - KIT	NR
1	70.0100.22	Carter pompa	1
2	91.8477.00	Cuscinetto a rulli 33207	2
3	90.3915.00	OR Ø 80.6x2.62 (3318)	2
4	70.2200.81 70.2203.81	Spessore 0.1 mm. Spessore 0.25 mm.	- -
5	90.0756.00	Anello seeger Ø 45	1
6	70.2118.01	Spia livello olio	1
7	90.3877.00	OR Ø 39.34x2.62 (3156)	1
8	70.1501.22	Coperchio cuscinetto lato spia	1
9	99.1854.00	Vite M6x16 UNI 5931	20
10	90.3833.00	OR Ø 13.95x2.62 (3056)	4
11	98.2099.00	Tappo G 3/8"x13	4
12	98.2115.00	Tappo con asta Ø 21.5x70	1
13	70.1600.22	Coperchio posteriore carter	1
14	90.3944.00	OR Ø 196.52x2.62 (3775)	1
15	98.2005.00	Tappo per foro Ø 15	7
16	99.3123.00	Vite serraggio biella	6
17	70.0200.35	Albero ecc.	1
18	91.4900.00	Linguetta 8x7x70 UNI 6604	1
19	70.1500.22	Coperchio ciscinetto lato PTO	1
20	90.1668.00	Anello rad. Ø 35x52x7	1
22	70.0500.15	Guida pistone	3

POS	COD.	DESCRIZIONE – DESCRIPTION – KIT	NR
23	97.7420.00	Spinotto Ø 18x36	3
24	90.1677.00	Anello rad. Ø 36x47x6/7.5	3
25	96.7099.00	Rosetta Ø 10x45x1	3
26	70.0405.09	Pistone Ø 36x62	3
27	90.3671.00	OR Ø 11x2	3
28	70.2195.66	Vite fissaggio pistone	3
29	98.2182.00	Tappo G 1/2"x18	1
30	93.1972.00	Rondella con tenuta G 1/2"	1
31	98.2326.00	Tappo G 1"x17	1
32	93.1985.00	Rondella con tenuta G 1"	1
33	70.1241.41 70.1242.41	Testata Ø 36 Testata Ø 36 - NPT	1 1
34	90.3626.00	OR Ø 50.52x1.78 (2200)	3
35	70.0805.70	Anello di fondo Ø 36	3
36	90.2400.00	Anello ten. alt. Ø 36x42 LP 212-2132	3
37	70.2165.70	Anello intermedio Ø 36 2132	3
38	90.2410.00	Anello ten. alt. Ø 36x48x8 HP 212-2132	3
39	99.3816.00	Vite M10x110 UNI 5931	8
40	99.3671.00	Vite M10x25 UNI 5931	14
41	70.2223.41	Coperchio valvole	2
42	70.2116.70	Tappo valvole aspirazione/mandata	6
43	90.5180.00	Anello antiest. Ø 32.4x36.5x1.5	6

POS	COD.	DESCRIZIONE – DESCRIPTION – KIT	NR
44	90.3865.00	OR Ø 29.82x2.62 (3118)	2030
45	36.2047.05	Guida valvola	2030
46	94.7450.00	Molla Ø 16x27.5	2030
47	36.2010.76	Valvola sferica	2030
48	36.2048.66	Sede valvola	2030
49	90.5178.00	Anello antiest. Ø 31x35.5x1.5	2030
50	36.7143.01	Gruppo valvola aspiraz./mand.	2030
53	70.0305.01	Biella – Completa	3
54	70.2225.51	Tappo carter	6
55	71.2259.51	Cappuccio tappo carter	3
56	90.9223.00 90.9224.00 90.9225.00	Semiboc. testa biella – Inf. Semiboc. testa biella +0.25 – Inf. Semiboc. testa biella +0.50 – Inf.	2156 2157 2158
57	90.9220.00 90.9221.00 90.9222.00	Semiboc. testa biella – Sup. Semiboc. testa biella +0.25 – Sup. Semiboc. testa biella +0.50 – Sup.	2156 2157 2158

## AZIONAMENTI SPECIALI – SPECIAL DRIVES

AZIONAMENTO DIRETTO CON FLANGIA TIPO A DIRECT DRIVE WITH FLANGE TYPE A			
POS	COD.	DESCRIZIONE – DESCRIPTION - KIT	NR
59	99.3084.00	Vite M8x30 UNI 5931	6
60	10.0673.20	Flangia per motore idraulico	1
AZIONAMENTO IDRAULICO CON CAMPANA E GIUNTO SAE-B HYDRAULIC DRIVE WITH FLANGE AND FLEXIBLE COUPLING SAE-B			
15	98.2060.00	Tappo per foro Ø 15	4
61	99.3136.00	Vite M8x45 UNI 5931	6
62	10.0755.47	Elemento elastico	1
63	10.7430.01	Giunto elastico Ø 30x25.4	1
64	10.0752.20	Flangia per motore idraulico SAE-B	1
AZIONAMENTO CON PRESA DI FORZA AUSILIARE DRIVE WITH AUXILIARY PTO			
9	99.1867.00	Vite M6x18 UNI 5931	6
18	91.5000.00	Linguetta 12x8x70 UNI 6604	1
19	70.1500.22	Coperchio cuscinetto lato PTO	1
20	90.1668.00	Anello rad. Ø 35x52x7	1
65	70.0205.35	Albero ecc. con 2° presa di forza	1
66	97.6152.00	Spina Ø 5x10	1
67	70.2234.54	Dispositivo presa di forza ausiliare	1
68	96.7160.00	Rosetta Ø 12x18x1	1
69	99.4295.00	Vite M12x35 UNI 5931	1

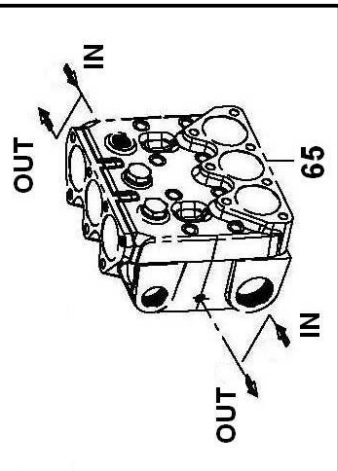


\*\*\* Fissare con Loctite 243 col. BLU  
 \*\*\* Affix with Loctite 243 col. BLUE  
 \*\*\* Fixer avec de la Loctite 243 couleur BLUE  
 \*\*\* Mit Loctite 243 BLAU befestigen  
 \*\*\* Fijjar con Loctite 243 col. AZUL  
 \*\*\* Fixar com Loctite 243 cor. BLUE

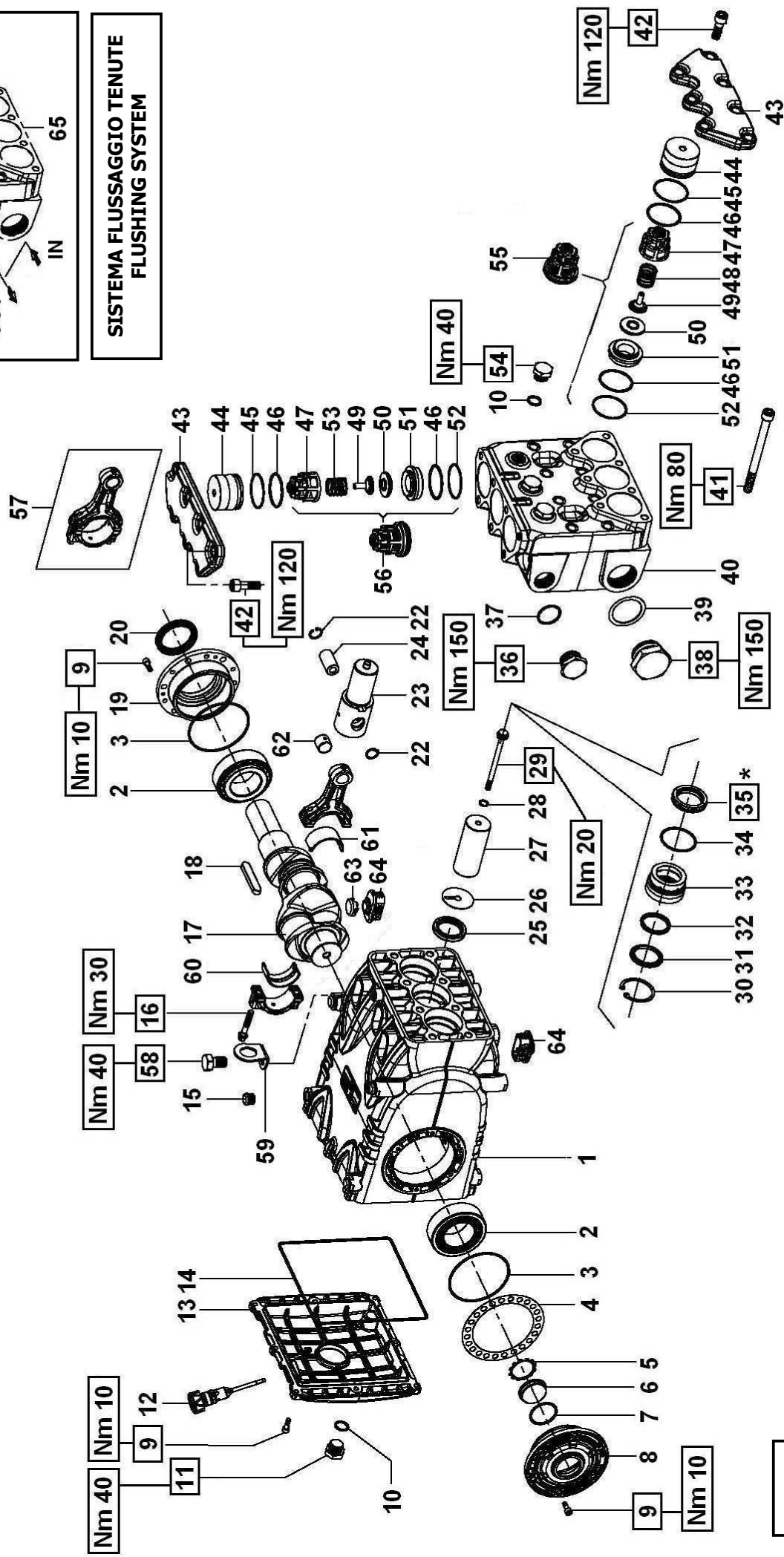




- \* Lubrificare con grasso al silicone.
- \* Lubricate with silicon grease.
- \* Graisser avec de la graisse su silicone.
- \* Schmierem mit Silikonfett.
- \* Lubrique con grasa de silicona.
- \* Lubrifique com graxa de silicone.



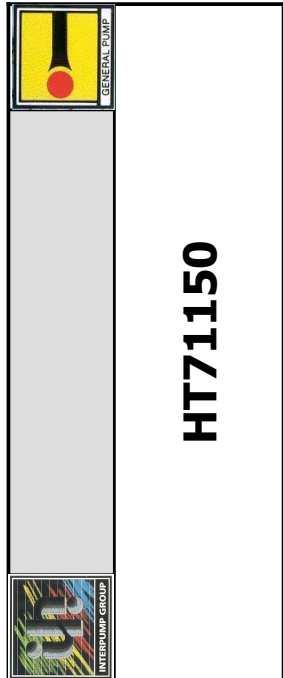
**SISTEMA FLUSSAGGIO TENUTE  
FLUSHING SYSTEM**



**HT**

**SERIE 71**

# HT71150



## KIT RICAMBI – SPARE KITS

KIT NR.	KIT 2012	KIT 2013	KIT 2033	KIT 2034	KIT 2135 2154-2155
Posizioni include Positions included	46 - 47 48 - 49 50 - 51 52 (55)	46 - 47 49 - 50 51 - 52 53 (56)	32 - 35	30 - 31 32 - 33 34 - 35	60 - 61
Nr. Pcs.	3	3	3	1	3

POS	COD.	DESCRIZIONE - DESCRIPTION KIT	NR
1	71.0100.22	Carter pompa	1
2	91.8590.00	Cuscinetto a rulli 33210	2
3	90.3918.00	OR Ø 94.92x2.62 (3375)	2
4	71.2200.81 71.2203.81	Spessore 0.1 mm. Spessore 0.25 mm.	- -
5	90.0756.00	Anello seeger Ø 45	1
6	70.2118.01	Spia livello olio	1
7	90.3877.00	OR Ø 39.4x2.62 (3156)	1
8	71.1501.22	Coperchio cuscinetto lato spia	1
9	99.1867.00	Vite M6x18 UNI 5931	20
10	90.3841.00	OR Ø 17.13x2.62 (3068)	4
11	98.2183.00	Tappo G 1/2"x13	1
12	98.2120.00	Tappo con asta Ø 21.5x91	1
13	71.1600.22	Coperchio posteriore carter	1
14	90.4000.00	OR 6 215x3	1
15	98.2060.00	Tappo per foro Ø 15	4
16	99.3138.00	Vite serraggio biella	6
17	71.0200.35	Albero ecc.	1
18	91.5000.00	Linguetta 12x8x70 UNI 6604	1
19	71.1500.22	Coperchio cuscinetto lato PTO	1
20	90.1700.00	Anello rad. Ø 50x65x8	1
22	90.0606.00	Anello seeger Ø 20	6
23	71.0500.15	Guida pistone	3

POS	COD.	DESCRIZIONE - DESCRIPTION - KIT	NR
24	97.7430.00	Spinotto Ø 20x38	3
25	90.1678.00	Anello rad. Ø 38x52x7/8.5	3
26	96.7140.00	Rosetta Ø 10x50x1	3
27	71.0405.09	Pistone Ø 40x95	3
28	90.3671.00	OR Ø 11x2	3
29	71.2195.66	Vite fissaggio pistone	3
30	90.0797.00	Anello seeger Ø 52	2034
31	71.2189.70	Anello per tenuta Ø 40	2034
32	90.2450.00	Anello ten. alt. Ø 40x46.15 LP 2033-2034	3
33	71.2166.70	Supporto guarnizioni Ø 40	2034
34	90.3891.00	OR. Ø 52.07x2.62 (3206)	2034
35	90.2460.00	Anello ten. alt. Ø 40x55x10 HP 2033-2034	3
36	98.2326.00	Tappo G1"x17	1
37	93.1985.00	Rondelle con tenuta G 1"	1
38	98.2440.00	Tappo G 1"-1/2"x20	1
39	93.1990.00	Rondella con tenuta G 1"-1/2"	1
40	71.1232.41 71.1233.41	Testata Ø 40 Testata Ø 40 - NPT	1 1
41	99.4480.00	Vite M12x150 UNI 5931	8
42	99.4295.00	Vite M12x35 UNI 5931	14
43	71.2101.36	Coperchio valvole	2
44	71.2111.70	Tappo valvole aspirazione/mandata	6
45	90.5250.00	Anello antiest. Ø 50.9x55x1.5	6

POS	COD.	DESCRIZIONE - DESCRIPTION - KIT	NR
46	90.3889.00	OR Ø 48.89x2.62 (3193)	2012-2013
47	36.2045.51	Guida valvola	2012-2013
48	94.7540.00	Molla Ø 24.7x27	2012
49	36.2086.51	Guida interna valvola	2012-2013
50	36.2085.02	Valvola sferica	2012-2013
51	36.2041.56	Sede valvola	2012-2013
52	90.5240.00	Anello antiest. Ø 49.5x54x1.5	2012-2013
53	94.7550.00	Molla Ø 25.2x26	2013
54	98.2183.00	Tappo G 1/2"x13	3
55	36.7136.01	Gruppo valvola d'aspirazione	2012
56	36.7137.01	Gruppo valvola di mandata	2013
57	71.0307.01	Biella - Completa	3
58	99.5120.00	Vite M16x1.5x25 UNI 5740	1
59	71.2230.74	Staffa di sollevamento	1
60	90.9243.00 90.9244.00 90.9245.00	Semiboc. Testa biella - Inf. Semiboc. Testa biella +0.25 - Inf. Semiboc. Testa biella +0.50 - Inf.	2135 2135 2154 2155
61	90.9240.00 90.9241.00 90.9242.00	Semiboc. Testa biella - Sup. Semiboc. Testa biella +0.25 - Sup. Semiboc. Testa biella +0.50 - Sup.	2135 2154 2155
63	71.2259.51	Cappuccio tappo carter	3
64	71.2258.51	Tappo carter	6

## AZIONAMENTI SPECIALI – SPECIAL DRIVES

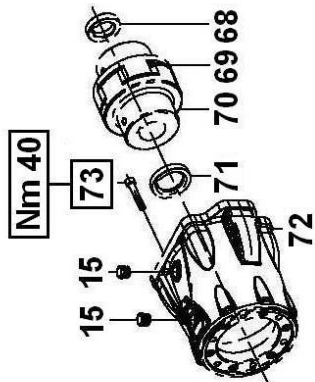
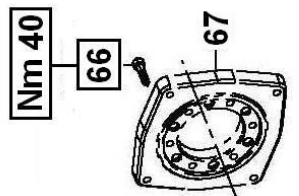
AZIONAMENTO DIRETTO CON FLANGIA TIPO A DIRECT DRIVE WITH FLANGE TYPE A			
POS	COD.	DESCRIZIONE – DESCRIPTION - KIT	NR
66	99.3098.00	Vite M8x35 UNI 5931	6
67	10.0677.20	Flangia per motore idraulico	1
AZIONAMENTO IDRAULICO CON CAMPANA E GIUNTO SAE-C HYDRAULIC DRIVE WITH FLANGE AND FLEXIBLE COUPLING SAE-C			
15	98.2060.00	Tappo per foro Ø 15	4
68	10.0745.70	Distanziale Ø 31.75 h.10.5	1
69	10.0749.47	Elemento elastico	1
70	10.7428.01	Giunto elastico Ø 40x31.75	1
71	10.0746.70	Distanziale Ø 40 h.10	1
72	10.0750.20	Flangia per motore idraulico SAE-C	1
73	99.3146.00	Vite M8x50 UNI 5931	6
AZIONAMENTO CON PRESA DI FORZA AUSILIARE DRIVE WITH AUXILIARY PTO			
9	99.1868.00	Vite M6x18 UNI 5931	6
18	91.5000.00	Linguetta 12x8x70 UNI 6604	1
19	71.1500.22	Coperchio cuscinetto lato PTO	1
20	90.1700.00	Anello rad. Ø 50x65x8	1
74	71.0207.35	Albero ecc. con 2° presa di forza	1
75	97.6152.00	Spina Ø 5x10	1
76	71.2265.54	Dispositivo presa di forza ausiliare	1
77	96.7378.00	Rosetta Ø 17x24x1	1
78	99.5142.00	Vite M16x45 UNI 5931	1

## KIT RICAMBI – SPARE KITS

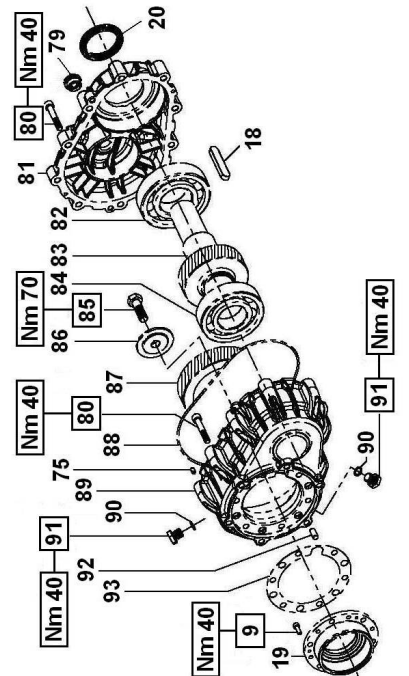
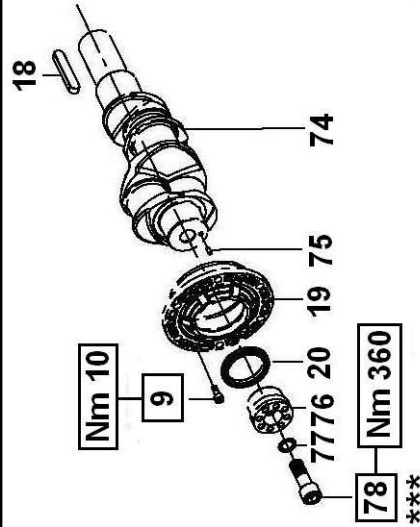
KIT NR.	KIT 2073	KIT 2074	KIT 2075
Posizioni incluse Positions included	18 - 20 - 70 71 - 72 - 73 74 - 75 - 76 77 - 78 - 79 80 - 81 - 82 83 - 84 - 85	18 - 20 - 70 71 - 72 - 73 74 - 75 - 76 77 - 78 - 79 80 - 81 - 82 83 - 84 - 85	18 - 20 - 70 71 - 72 - 73 74 - 75 - 76 77 - 78 - 79 80 - 81 - 82 83 - 84 - 85
Nr. Pcs.	1	1	3

## AZIONAMENTO CON RIDUTTORE DRIVE WITH GEARBOX

POS	COD.	DESCRIZIONE – DESCRIPTION – KIT	NR
9	99.1868.00	Vite M6x18 UNI 5931	6
18	91.5000.00	Linguetta 12x8x70 UNI 6604 2073-2074-2075	1
19	71.1500.22	Coperchio cuscinetto lato PTO	1
20	90.1700.00	Anello rad. Ø 50x65x8 2073-2074-2075	1
75	97.6152.00	Spina Ø 5x10 2073-2074-2075	2
79	97.5940.00	Spia livello olio G 1/2" 2073-2074-2075	1
80	99.3146.00	Vite M8x50 UNI 5931 2073-2074-2075	16
81	72.2109.20	Coperchio scatola riduttore 2073-2074-2075	1
82	91.8593.00	Cuscinet. a sfere 6310 2073-2074-2075	1
83	10.0708.35	Pignone Z27-R.1.25 - Elicoidale 2073	1
	10.0709.35	Pignone Z25-R.1.50 - Elicoidale 2074	1
	10.0710.35	Pignone Z22-R.1.83 - Elicoidale 2075	1
84	91.8577.00	Cuscinet. a sfere 6309 2073-2074-2075	1
85	99.4307.00	Vite M12x40 UNI 5737 2073-2074-2075	1
86	72.2110.55	Rondella fissag. corona 2073-2074-2075	1
87	10.0711.35	Corona Z34-R.1.25 - Elicoidale 2073	1
	10.0712.35	Corona Z37-R.1.50 - Elicoidale 2074	1
	10.0713.35	Corona Z40-R.1.83 - Elicoidale 2075	1
88	90.3948.00	OR Ø 209.22x2.62 2073-2074-2075	1
89	72.2108.20	Scatola riduttore 2073-2074-2075	1
90	90.3585.00	OR Ø 10.82x1.78 (2043) 2073-2074-2075	2
91	98.2047.00	Tappo G 1/4"x13 2073-2074-2075	2
92	97.6185.00	Spina Ø 8x18 2073-2074-2075	1
93	72.2107.84	Guarnizione scatola riduttore 2073-2074-2075	1



\*\*\* Fissare con Loctite 243 col. BLU  
 \*\*\* Affix with Loctite 243 col. BLUE  
 \*\*\* Fixer avec de la Loctite 243 couleur BLUE  
 \*\*\* Mit Loctite 243 BLAU befestigen  
 \*\*\* Fijar con Loctite 243 col. AZUL  
 \*\*\* Fixar com Loctite 243 cor. BLUE

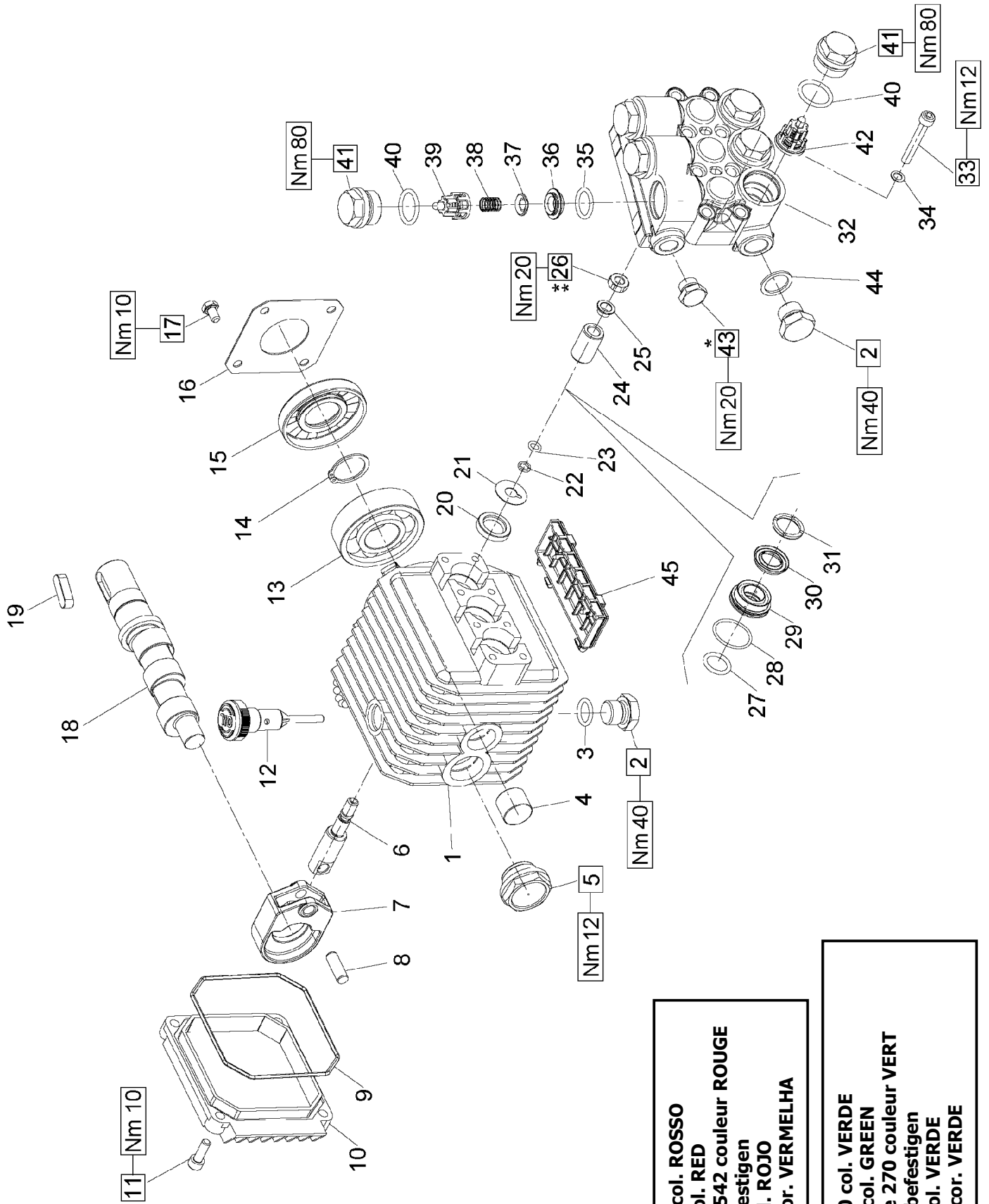




# 51 SERIES

## MISTING

DIS. COD. 51.9557.00



\* Fissare con Loctite 542 col. ROSSO  
\* Affix with Loctite 542 col. RED  
\* Fixer avec de la Loctite 542 couleur ROUGE  
\* Mit Loctite 542 ROT befestigen  
\* Fijar con Loctite 542 col. ROJO  
\* Fixar com Loctite 542 cor. VERMELHA

\*\* Fissare con Loctite 270 col. VERDE  
\*\* Affix with Loctite 270 col. GREEN  
\*\* Fixer avec de la Loctite 270 couleur VERT  
\*\* Mit Loctite 270 GRÜN befestigen  
\*\* Fijar con Loctite 270 col. VERDE  
\*\* Fixar com Loctite 270 cor. VERDE

**FE5101 – FE5102 – FE5104 - FE5106 – FE5108****PISTONE - PISTON Ø 15 PISTONE - PISTON Ø 18****FE5101 – FE5102  
FE5104 – FE5106  
FE5108**

POS	COD.	DESCRIZIONE – DESCRIPTION - KIT	NR
1	51.0106.22	Carter pompa	1
2	98.2100.00	Tappo G 3/8"x13	2
3	90.3833.00	OR Ø 13.95x2.62 (3056)	1
4	91.8014.00	Boccola a rullini	1
5	97.5968.00	Spia livello olio	1
6	51.0500.56	Guida pistone	3
7	51.0301.22	Biella	3
8	97.7310.00	Spinotto Ø 8x24.5	3
9	90.3917.00	OR Ø 88.57x2.62 (3350)	1
10	51.1600.22	Coperchio posteriore	1
11	99.1867.00	Vite M6x18 UNI 5931	4
12	98.2103.00	Tappo carico olio	1
13	91.8328.00	Cuscinetto a sfere 6305	1
14	90.0635.00	Anello seeger Ø 25	1
15	90.1641.00	Anello rad. Ø 25x62x10	1
16	50.1500.74	Coperchio carter	1
17	99.1807.00	Vite M6x10 UNI 5937	4
18	51.0230.65	Albero - FE5102	1
	51.0200.65	Albero - FE5104	1
	51.0201.65	Albero - FE5108	1
	51.0204.65	Albero - FE5106	1
	51.0220.65	Albero - FE5101	1
19	91.4877.00	Linguetta 8x7x25 UNI 6604	1
20	90.1565.00	Anello rad. Ø 15x24x5	83

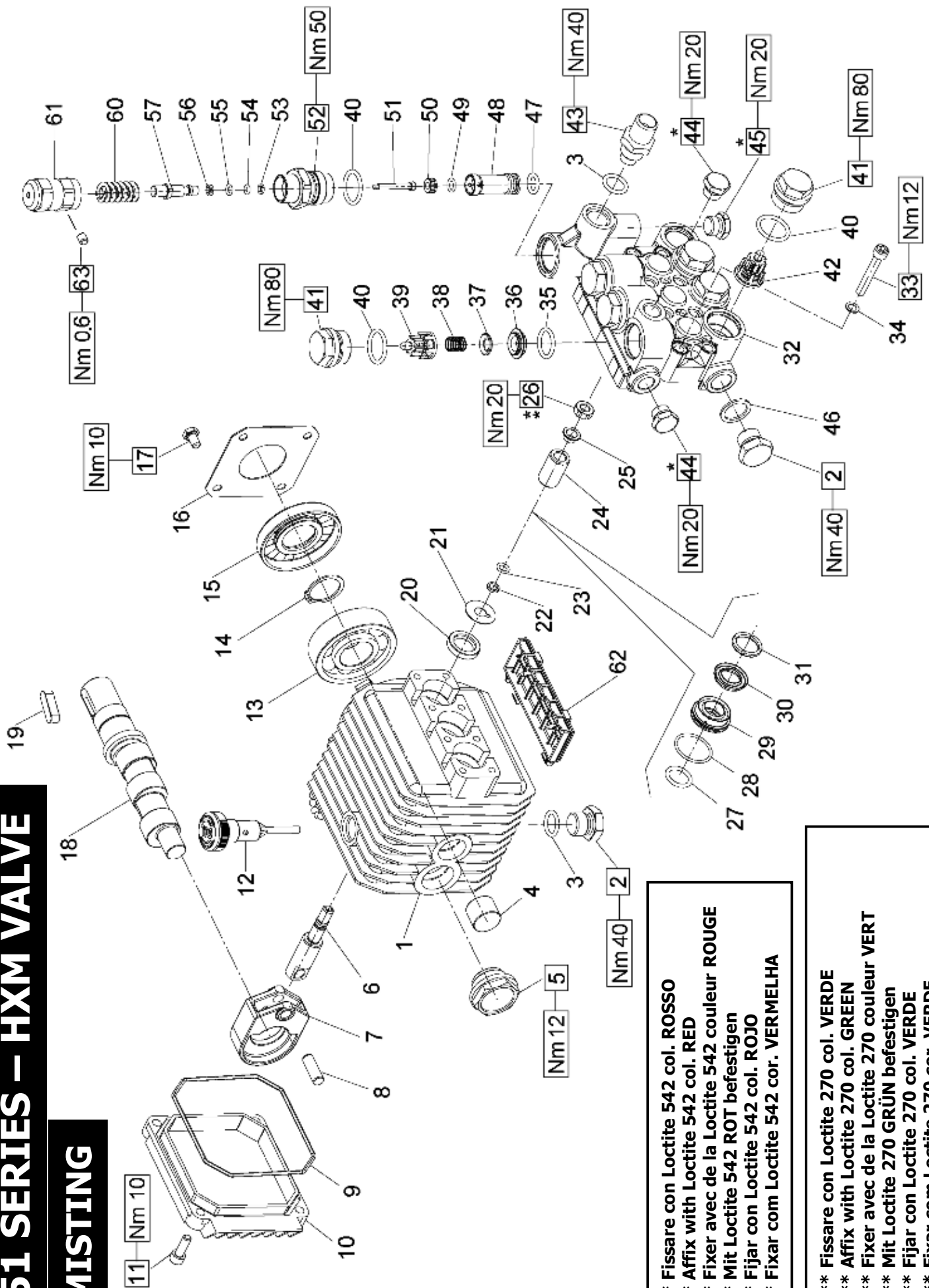
**KIT RICAMBI – SPARE KITS**

KIT Nr.	KIT 83	KIT 123	KIT 157	PISTONE - PISTON Ø15			PISTONE - PISTON Ø18		
				KIT 86	KIT 96	KIT 97	KIT 139	KIT 140	KIT 141
Posizioni include Positions included	20	35 - 36 37 - 38 39 (42)	40 - 41	27 - 28 29	27 - 28 29 - 30 31	27 - 28 30 - 31	27 - 28 29	27 - 28 29 - 30 31	
Nr. Pcs.	3	6	6	3	1	3	3	1	3

POS	COD.	DESCRIZIONE – DESCRIPTION - KIT	NR	POS	COD.	DESCRIZIONE – DESCRIPTION - KIT	NR
21	96.7070.00	Rosetta Ø 9x23x0.5	3	40	90.3847.00	OR Ø 20.24x2.62 (3081)	157
22	90.5022.00	Anello antiest. Ø 6.2x9x1.5	3	41	98.2216.00	Tappo M24x1.5x11.2	157
23	90.3573.00	OR Ø 5.28x1.78 (2021)	3	42	36.7115.01	Gruppo valvola aspiraz. / mand.	123
24	51.0400.09 51.0401.09	Pistone Ø 15x25 Pistone Ø 18x25	3 3	43	98.2041.00	Tappo G 1/4"x9	1
25	44.2115.70	Rosetta Ø 8 con collare	3	44	96.7380.00	Rosetta Ø 17.5x23x1.5	1
26	92.2216.00	Dado M8x13x5 – INOX	3	45	51.2090.51	Protezione	1
27	90.3835.00 90.3843.00	OR Ø 15.08x2.62 (119) OR Ø 17.86x2.62 (123)	3 3				
28	90.3604.00	OR Ø 25.12x1.78 (2100)	3				
29	51.0800.70 51.0803.70	Anello di fondo Ø 15 Anello di fondo Ø 18	3 3				
30	90.2620.00 90.2681.00	Anello ten. alt. Ø 15x25x5/3.1 Anello ten. alt. Ø 18x26x5/3	3 3				
31	51.1000.51 51.1001.51	Anello di testa Ø 15 Anello di testa Ø 18	3 3				
32	51.1200.41 51.1204.41	Testata Ø 15 Testata Ø 18	1 1				
33	99.1943.00	Vite M6x40 UNI 5931	8				
34	96.6938.00	Rondella Ø 6.4x10x0.7	8				
35	90.3841.00	OR Ø 17.13x2.62 (3068)	123				
36	36.2003.66	Sede valvola	123				
37	36.2001.76	Valvola sferica	123				
38	94.7376.00	Molla Ø 9.4x14.8	123				
39	36.2025.51	Guida valvola	123				

# 51 SERIES - HXM VALVE

## MISTING



\* Fissare con Loctite 542 col. ROSSO  
\* Affix with Loctite 542 col. RED  
\* Fixer avec de la Loctite 542 couleur ROUGE  
\* Mit Loctite 542 ROT befestigen  
\* Fijar con Loctite 542 col. ROJO  
\* Fixar com Loctite 542 cor. VERMELHA

\*\* Fissare con Loctite 270 col. VERDE  
\*\* Affix with Loctite 270 col. GREEN  
\*\* Fixer avec de la Loctite 270 couleur VERT  
\*\* Mit Loctite 270 GRÜN befestigen  
\*\* Fijar con Loctite 270 col. VERDE  
\*\* Fixar com Loctite 270 cor. VERDE



**FE5101 – FE5102 – FE5104 – FE5106 – FE5108****PISTONE - PISTON Ø 15 PISTONE - PISTON Ø 18****FE5101 – FE5102  
FE5104 – FE5106  
FE5108**

POS	COD.	DESCRIZIONE – DESCRIPTION - KIT	NR
1	51.0106.22	Carter pompa	1
2	98.2100.00	Tappo G 3/8"x13	2
3	90.3833.00	OR Ø 13,95x2.62 (3056)	2
4	91.8014.00	Boccola a rullini	1
5	97.5968.00	Spia livello olio	1
6	51.0500.56	Guida pistone	3
7	51.0301.22	Biella	3
8	97.7310.00	Spinotto Ø 8x24.5	3
9	90.3917.00	OR Ø 88.57x2.62 (3350)	1
10	51.1600.22	Coperchio posteriore	1
11	99.1867.00	Vite M6x18 UNI 5931	4
12	98.2103.00	Tappo carico olio	1
13	91.8328.00	Cuscinetto a sfere 6305	1
14	90.0635.00	Anello seeger Ø 25	1
15	90.1641.00	Anello rad. Ø 25x62x10	1
16	50.1500.74	Coperchio carter	1
17	99.1807.00	Vite M6x10 UNI 5937	4
18	51.0230.65	Albero - FE5102	1
	51.0200.65	Albero - FE5104	1
	51.0201.65	Albero - FE5108	1
	51.0204.65	Albero - FE5106	1
	51.0220.65	Albero - FE5101	1
19	91.4877.00	Linguetta 8x7x25 UNI 6604	1
20	90.1565.00	Anello rad. Ø 15x24x5	83

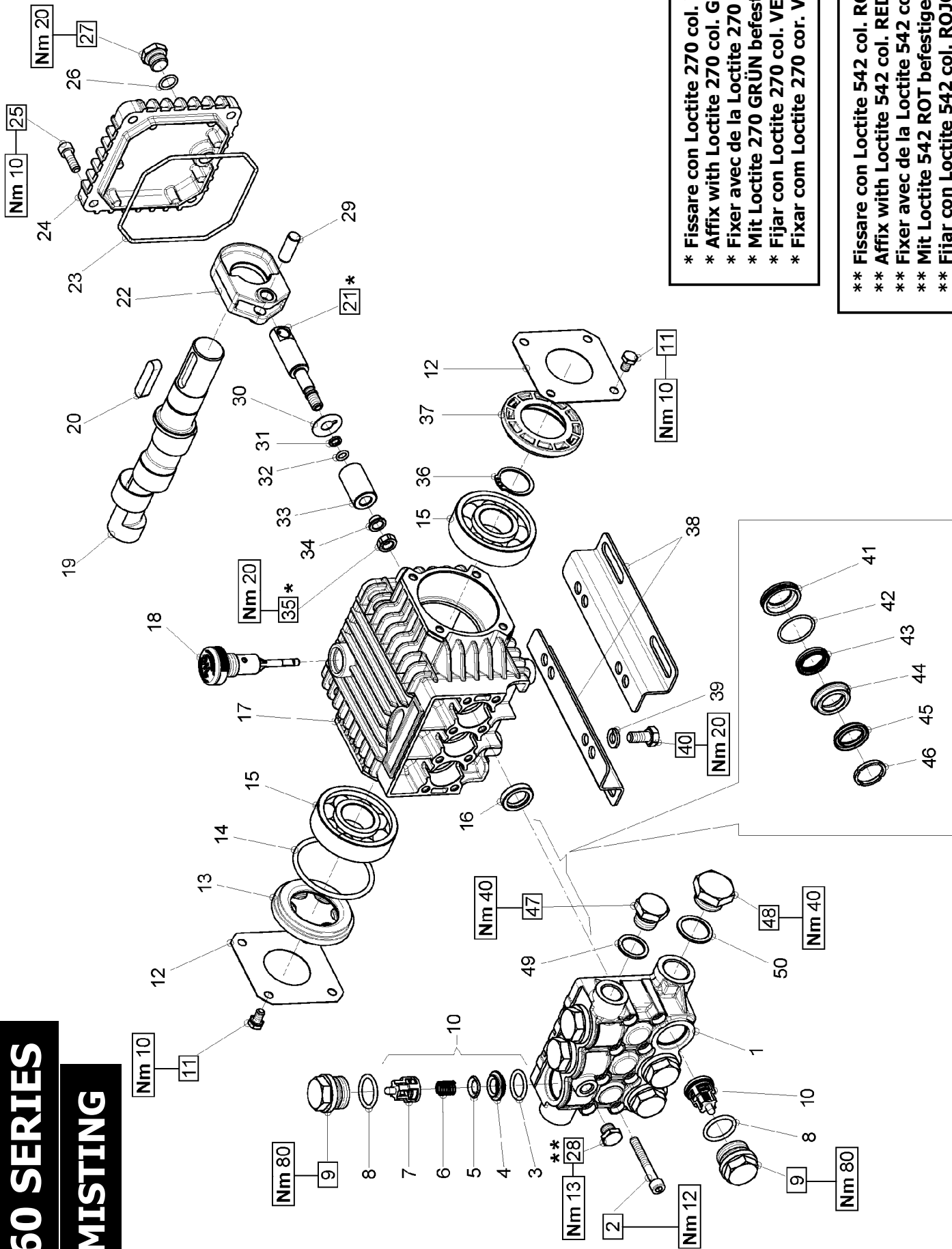
**KIT RICAMBI – SPARE KITS**

KIT Nr.	KIT 83	KIT 123	KIT 157	KIT 267	PISTONE - PISTON Ø15			PISTONE - PISTON Ø18		
					KIT 86	KIT 96	KIT 97	KIT 139	KIT 140	KIT 141
Posizioni incluse Positions included	20	35 - 36 37 - 38 39 (42)	40 - 41	40 - 47 - 48 - 49 50 - 51 - 52 - 53 54 - 55 - 56 - 57 60 - 61 - 63	27 - 28 29	27 - 28 29 - 30 31	28 - 29 30 - 31	27 - 28 29	27 - 28 29 - 30 31	28 - 29 30 - 31
Nr. Pcs.	3	6	6	1	3	1	3	3	1	3

POS	COD.	DESCRIZIONE – DESCRIPTION - KIT	NR	POS	COD.	DESCRIZIONE – DESCRIPTION - KIT	NR
21	96.7070.00	Rosetta Ø 9x23x0.5	3	40	90.3847.00	OR Ø 20.24x2.62 (3081)	157-267
22	90.5022.00	Anello antiest. Ø 6.2x9x1.5	3	41	98.2216.00	Tappo M24x1.5x11.2	157
23	90.3573.00	OR Ø 5.28x1.78 (2021)	3	42	36.7115.01	Gruppo valvola aspiraz. / mand.	123
24	51.0400.09 51.0401.09	Pistone Ø 15x25 Pistone Ø 18x25	3 3	43	10.0078.70	Nipplo Ø 3xG 3/8"	1
25	44.2115.70	Rosetta Ø 8 con collare	3	44	98.2041.00	Tappo G 1/4"x9	2
26	92.2216.00	Dado M8x13x5 – INOX	3	45	98.2057.00	Tappo M14x9	1
27	90.3835.00 90.3843.00	OR Ø 15.08x2.62 (119) OR Ø 17.86x2.62 (123)	3 3	46	96.7380.00	Rosetta Ø 17.5x23x1.5	1
28	90.3604.00	OR Ø 25.12x1.78 (2100)	3	47	90.3823.00	OR Ø 9.92x2.62 (112)	267
29	51.0800.70 51.0803.70	Anello di fondo Ø 15 Anello di fondo Ø 18	3 3	48	36.0056.70	Distanziale sede valvola	267
30	90.2620.00 90.2681.00	Anello ten. alt. Ø 15x25x5/3.1 Anello ten. alt. Ø 18x26x5/3	3 3	49	90.3576.00	OR Ø 6.75x1.78 (106)	267
31	51.1000.51 51.1001.51	Anello di testa Ø 15 Anello di testa Ø 18	3 3	50	10.0085.66	Sede valvola	267
32	51.1201.41 51.1205.41	Testata Ø 15 con valvola Testata Ø 18 con valvola	1 1	51	36.3239.66	Valvola	267
33	99.1943.00	Vite M6x40 UNI 5931	8	52	36.0055.70	Boccola	267
34	96.6938.00	Rondella Ø 6.4x10x0.7	8	53	90.5007.00	Anello antiest. Ø 4x6.8x1.5	267
35	90.3841.00	OR Ø 17.13x2.62 (3068)	123	54	90.3569.00	OR Ø 3.69x1.78 (2015)	267
36	36.2003.66	Sede valvola	123	55	90.3570.00	OR Ø 4.48x1.78 (2018)	267
37	36.2001.76	Valvola sferica	123	56	90.5020.00	Anello antiest. Ø 5.2x8x1.5	267
38	94.7376.00	Molla Ø 9.4x14.8	123	57	36.3237.70	Pistoncino di comando	267
39	36.2025.51	Guida valvola	123	60	94.7400.00	Molla Ø 11.8x28.5	267
				61	36.0054.70	Pomolo	267
				62	51.2090.51	Protezione	1
				63	99.1261.00	Vite M4x4 UNI 5923	267

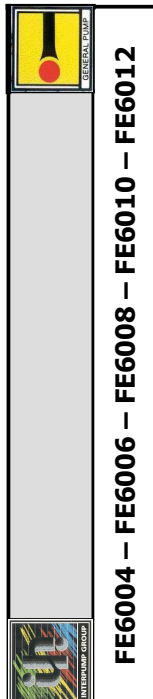
# 60 SERIES

## MISTING



\* Fissare con Loctite 270 col. VERDE  
 \* Affix with Loctite 270 col. GREEN  
 \* Fixer avec de la Loctite 270 couleur VERT  
 \* Mit Loctite 270 GRÜN befestigen  
 \* Fijar con Loctite 270 col. VERDE  
 \* Fixar com Loctite 270 cor. VERDE

\*\* Fissare con Loctite 542 col. ROSSO  
 \*\* Affix with Loctite 542 col. RED  
 \*\* Fixer avec de la Loctite 542 couleur ROUGE  
 \*\* Mit Loctite 542 ROT befestigen  
 \*\* Fijar con Loctite 542 col. ROJO  
 \*\* Fixar com Loctite 542 cor. VERMELHA



**FE6004 - FE6006 - FE6008 - FE6010 - FE6012**

<b>PISTONE - PISTON Ø 15</b>	<b>PISTONE - PISTON Ø 18</b>
<b>FE6004 - FE6006 - FE6008</b>	<b>FE6010 - FE6012</b>

**KIT RICAMBI - SPARE KITS**

KIT Nr.	KIT 83	KIT 123	PISTONE - PISTON Ø15				PISTONE - PISTON Ø18			
			KIT 196	KIT 198	KIT 200	KIT 226	KIT 197	KIT 199	KIT 225	KIT 227
Posizioni include Positions included	16	3 - 4 5 - 6 7 (10)	43 - 45 46	44	41 - 42	41 - 42 43 - 44 45 - 46	43 - 45 46	44	41 - 42	41 - 42 43 - 44 45 - 46
Nr. Pcs.	3	6	3	3	3	1	3	3	3	1

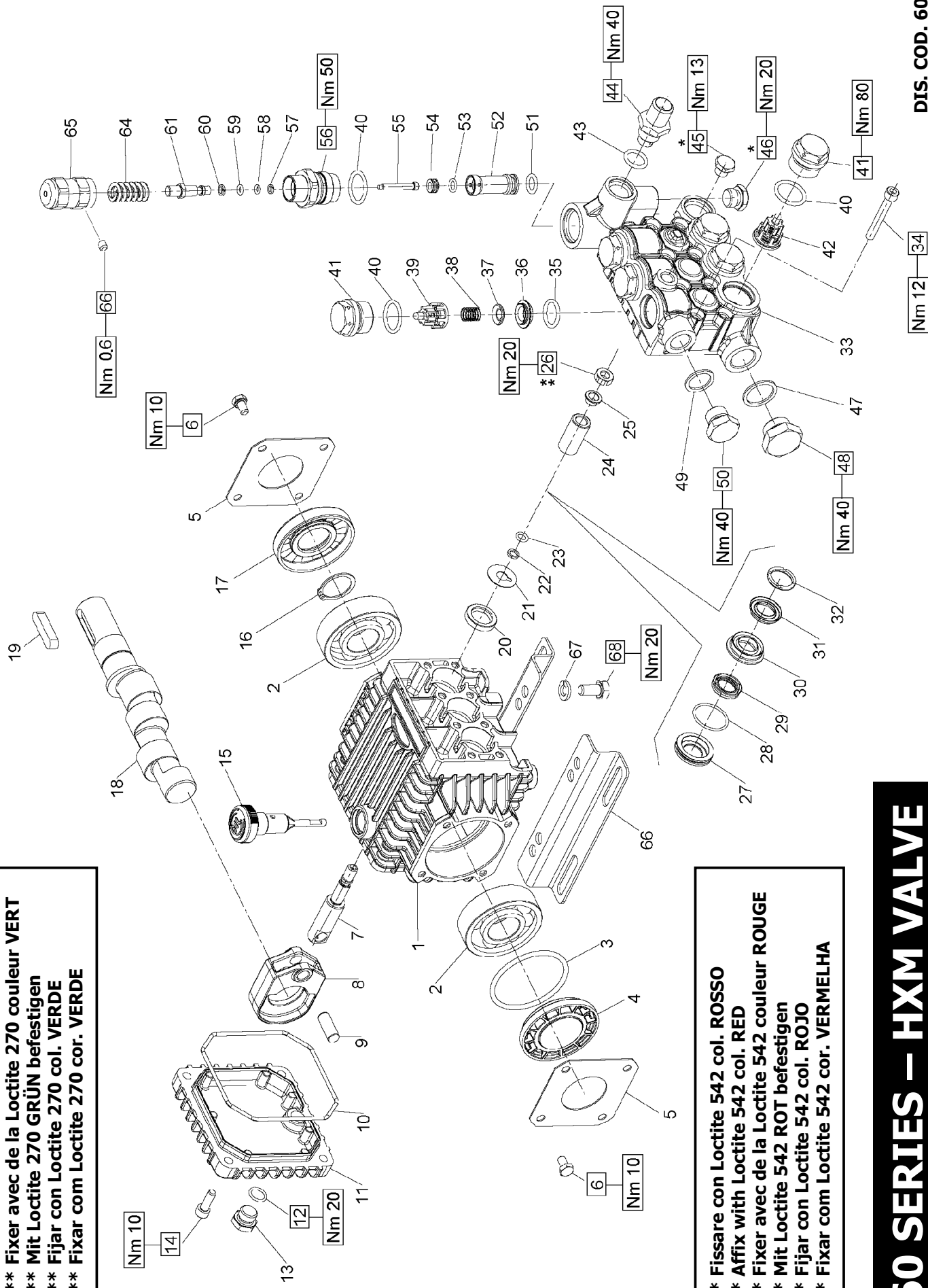
POS	COD.	DESCRIZIONE - DESCRIPTION - KIT	NR
21	60.0500.66	Guida pistone	3
22	60.0300.22	Biella	3
23	90.3918.00	OR Ø 94.92x2.62 (3375)	1
24	60.1600.22	Coperchio posteriore	1
25	99.1867.00	Vite M6x18 UNI 5931	4
26	90.3585.00	OR Ø 10.82x1.78 (2043)	1
27	98.2041.00	Tappo G 1/4"x9	1
28	98.1966.00	Tappo G 1/8"x8	1
29	97.7333.00	Spinotto Ø 9x24.5	3
30	96.7070.00	Rosetta Ø 9x23x0.5	3
31	90.5022.00	Anello antiestr. Ø 6.2x9x1.5	3
32	90.3573.00	OR Ø 5.28x1.78 (2021)	3
33	60.0400.09 60.0401.09	Pistone Ø 15x30 Pistone Ø 18x30	1 1
34	44.2115.70	Rosetta Ø 8 con collare	3
35	92.2216.00	Dado M8x13x5 - INOX	3
36	90.0635.00	Anello seeger Ø 25	1
37	90.1641.00	Anello rad. Ø 25x62x10	1
38	50.2000.74	Piedino pompa	2
39	96.7016.00	Rosetta Ø 8.4 UNI 1571	4
40	99.3037.00	Vite M8x16 UNI 5739	4
41	60.0800.70 60.0801.70	Anello di fondo Ø 15 Anello di fondo Ø 18	200-226 225-227
42	90.3604.00	OR Ø 25.12x1.78 (2100)	200-225 226-227

POS	COD.	DESCRIZIONE - DESCRIPTION - KIT	NR
43	90.2608.00 90.2650.00	Anello ten. alt. Ø 15x22x5 LP Anello ten. alt. Ø 18x24x5 LP	196-226 197-227
44	60.2160.70 60.2161.70	Anello intermedio Ø 15 Anello intermedio Ø 18	198-226 199-227
45	90.2620.00 90.2681.00	Anello ten. alt. Ø 15x25x5/3 HP Anello ten. alt. Ø 18x26x5/3 HP	196-226 197-227
46	51.1001.51 51.1000.51	Anello di testa Ø 15 Anello di testa Ø 18	196-226 197-227
47	98.2100.00	Tappo G 3/8"x13	1
48	98.2176.00	Tappo G 1/2"x10	1
49	96.7380.00	Rosetta Ø 17.5x23x1.5	1
50	96.7514.00	Rosetta Ø 21.5x27x1.5	1

POS	COD.	DESCRIZIONE - DESCRIPTION - KIT	NR
1	60.1200.41 60.1201.41	Testata Ø 15 Testata Ø 18	1 1
2	99.1950.00	Vite M6x45 UNI 5931	8
3	90.3841.00	OR Ø 17.13x2.62 (3068)	123
4	36.2003.66	Sede valvola	123
5	36.2001.76	Valvola sferica	123
6	94.7376.00	Molla Ø 9.4x14.8	123
7	36.2025.51	Guida valvola	123
8	90.3847.00	OR Ø 20.24x2.62 (3081)	6
9	98.2214.00	Tappo valvola M24x1.5	6
10	36.7115.01	Gruppo valvola aspiraz. / mand.	123
11	99.1807.00	Vite M6x10 UNI 5739	8
12	50.1500.74	Coperchio carter	2
13	44.2118.01	Distanziale con indicatore	1
14	90.4097.00	OR Ø 55.56x3.56 (159)	1
15	91.8328.00	Cuscinetto a sfere 6305	2
16	90.1565.00	Anello rad. Ø 15x24x5	83
17	60.0100.22	Carter pompa	1
18	98.2103.00	Tappo carico olio	1
19	60.0204.65 60.0212.65 60.0217.65	Albero - FE6004 Albero - FE6006 - FE6010 Albero - FE6008 - FE6012	1 1 1
20	91.4892.00	Linguetta 8x7x35	1

- \*\* Fissare con Loctite 270 col. VERDE
- \*\* Affix with Loctite 270 col. GREEN
- \*\* Fixer avec de la Loctite 270 couleur VERT
- \*\* Mit Loctite 270 GRÜN befestigen
- \*\* Fijar con Loctite 270 col. VERDE
- \*\* Fixar com Loctite 270 cor. VERDE

- \* Fissare con Loctite 542 col. ROSSO
- \* Affix with Loctite 542 col. RED
- \* Fixer avec de la Loctite 542 couleur ROUGE
- \* Mit Loctite 542 ROT befestigen
- \* Fijar con Loctite 542 col. ROJO
- \* Fixar com Loctite 542 cor. VERMELHA



## 60 SERIES – HXM VALVE



## FE6004 – FE6006 – FE6008 – FE6010 – FE6012

### PISTONE - PISTON Ø 15 PISTONE - PISTON Ø 18

### FE6004 – FE6006 - FE6008 FE6010 – FE6012

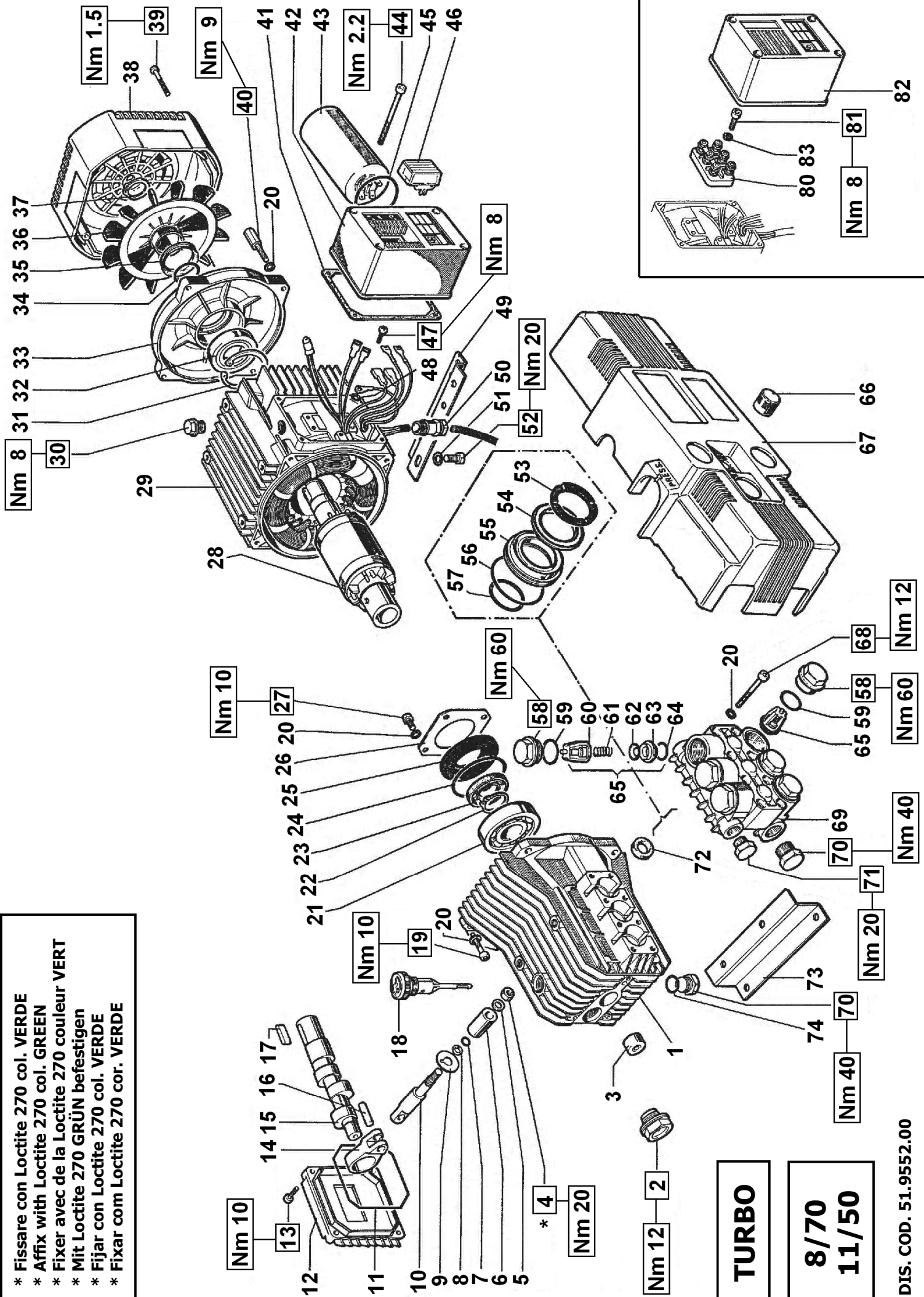
POS	COD.	DESCRIZIONE – DESCRIPTION - KIT	NR
1	60.0100.22	Carter pompa	1
2	91.8328.00	Cuscinetto a sfere 6305	2
3	90.4097.00	OR Ø 55.56x3.56 (159)	1
4	44.2118.01	Distanziale con indicatore	1
5	50.1500.74	Coperchio carter	2
6	99.1807.00	Vite M6x10 UNI 5739	8
7	60.0500.66	Guida pistone	3
8	60.0300.22	Biella	3
9	97.7333.00	Spinotto Ø 9x24.5	3
10	90.3918.00	OR Ø 94.92x2.62 (3375)	1
11	60.1600.22	Coperchio posteriore	1
12	90.3585.00	OR Ø 10.82x1.78 (2043)	1
13	98.2041.00	Tappo G 1/4"x9	1
14	99.1867.00	Vite M6x18 UNI 5931	4
15	98.2103.00	Tappo carico olio	1
16	90.0635.00	Anello seeger Ø 25	1
17	90.1641.00	Anello rad. Ø 25x62x10	1
18	60.0204.65	Albero – FE6004	1
	60.0212.65	Albero – FE6006 – FE6010	1
	60.0217.65	Albero – FE6008 – FE6012	1
19	91.4892.00	Linguetta 8x7x35	1
20	90.1565.00	Anello rad. Ø 15x24x5	83
21	96.7070.00	Rosetta Ø 9x23x0.5	3

## KIT RICAMBI – SPARE KITS

KIT Nr.	KIT 83	KIT 123	KIT 267	PISTONE - PISTON Ø 15			PISTONE - PISTON Ø 18		
				KIT 196	KIT 198	KIT 200	KIT 226	KIT 199	KIT 225
Posizioni include Positions included	20	35 – 36 37 – 38 39 (42)	40 – 51 – 52 – 53 54 – 55 – 56 – 57 58 – 59 – 60 – 61 64 – 65 – 66	29 – 31 32	30	27 – 28	27 – 28 29 – 30 31 – 32	30	27 – 28 29 – 30 31 – 32
Nr. Pcs.	3	6	1	3	3	3	1	3	3

POS	COD.	DESCRIZIONE – DESCRIPTION - KIT	NR	POS	COD.	DESCRIZIONE – DESCRIPTION - KIT	NR
22	90.5022.00	Anello antiestr. Ø 6.2x9x1.5	3	43	90.3833.00	OR Ø 13.95x2.62 (3056)	1
23	90.3573.00	OR Ø 5.28x1.78 (2021)	3	44	10.0078.70	Nipplo Ø 3xG 3/8"	1
24	60.0400.09 60.0401.09	Pistone Ø 15x30 Pistone Ø 18x30	1 1	45	98.1966.00	Tappo G 1/8"x8	1
25	44.2115.70	Rosetta Ø 8 con collare	3	46	98.2057.00	Tappo M14x1x9	1
26	92.2216.00	Dado M8x13x5 - INOX	3	47	96.7514.00	Rosetta Ø 21.5x27x1.5	1
27	60.0800.70 60.0801.70	Anello di fondo Ø 15 Anello di fondo Ø 18	200-226 225-227	48	98.2176.00	Tappo G 1/2"x10	1
28	90.3604.00	OR Ø 25.12x1.78 (2100) 200-225-226-227	3	49	96.7380.00	Rosetta Ø 17.5x23x1.5	1
29	90.2608.00 90.2650.00	Anello ten. alt. Ø 15x22x5 LP Anello ten. alt. Ø 18x24x5 LP	196-226 197-227	50	98.2100.00	Tappo G 3/8"x13	1
30	60.2160.70 60.2161.70	Anello intermedio Ø 15 Anello intermedio Ø 18	198-226 199-227	51	90.3823.00	OR Ø 9.92x2.62 (112)	267
31	90.2620.00 90.2681.00	Anello ten. alt. Ø 15x25x5/3 HP Anello ten. alt. Ø 18x26x5/3 HP	196-226 197-227	52	36.0056.70	Distanziale sede valvola	267
32	51.1001.51 51.1000.51	Anello di testa Ø 15 Anello di testa Ø 18	196-226 197-227	53	90.3576.00	OR Ø 6.75x1.78 (106)	267
33	60.1204.41 60.1205.41	Testata Ø 15 con valvola Testata Ø 18 con valvola	1 1	54	10.0085.66	Sede valvola	267
34	99.1950.00	Vite M6x45 UNI 5931	8	55	36.3239.66	Valvola	267
35	90.3841.00	OR Ø 17.13x2.62 (3068)	123	56	36.0055.70	Boccola	267
36	36.2003.66	Sede valvola	123	57	90.5007.00	Anello antiest. Ø 4x638x1.5	267
37	36.2001.76	Valvola sferica	123	58	90.3569.00	OR Ø 3.69x1.78 (2015)	267
38	94.7376.00	Molla Ø 9.4x14.8	123	59	90.3570.00	OR Ø 4.48x1.78 (2018)	267
39	36.2025.51	Guida valvola	123	60	90.5020.00	Anello antiest. Ø 5.2x8x1.5	267
40	90.3847.00	OR Ø 20.24x2.62 (3081)	267	61	36.3237.70	Pistoncino di comando	267
41	98.2214.00	Tappo valvola M24x1.5	6	64	94.7400.00	Molla Ø 11.8x28.5	267
42	36.7115.01	Gruppo valvola aspiraz. / mandata	123	65	36.0054.70	Pomolo	267
			6	66	99.1261.00	Vite M4x4 UNI 5923	267

- \* Fissare con Loctite 270 col. VERDE
- \* Affix with Loctite 270 col. GREEN
- \* Fixer avec de la Loctite 270 couleur VERT
- \* Mit Loctite 270 GRÜN befestigen
- \* Fijar con Loctite 270 col. VERDE
- \* Fixar com Loctite 270 cor. VERDE



**TURBO**

**8/70**  
**11/50**

DIS. COD. 51.9552.00

**KIT RICAMBI – SPARE KITS**

POS	COD.	DESCRIZIONE – DESCRIPTION - KIT	NR	POS	COD.	DESCRIZIONE – DESCRIPTION - KIT	NR
1	51.0100.22	Carter pompa	1	32	91.8323.00	Cuscinetto a sfere 6205 2Z	1
2	97.5968.00	Spia livello olio G 3/4"	1	33	41.0700.22	Scudo posteriore	1
3	91.8014.00	Boccola a rullini	1	34	90.3857.00	OR Ø 23.81x2.62 (132)	1
4	92.2216.00	Dado M8x13x5 - INOX	3	35	90.1652.00	Anello V-SEAL	1
5	44.2115.70	Rosetta Ø 8 con collare	3	36	41.0300.51	Ventola	1
6	51.0400.09	Pistone Ø 15x25	3	37	90.0628.00	Anello seeger Ø 24 UNI 7435	1
7	90.3572.00	OR Ø 5.28x1.78 (2021)	3	38	41.0400.51	Copriventola	1
8	90.5022.00	Anello antiest. Ø 6.2x9x1.5	3	39	99.1658.00	Vite M5x45 UNI 7687	4
9	96.7070.00	Rosetta Ø 9x23x0.5	3	40	41.2104.65	Vite fissaggio scudo posteriore	4
10	51.0500.56	Guida pistone	3	41	41.2101.47	Guarnizione copribasetta	1
11	90.3917.00	OR Ø 88.57x2.62 (3350)	1	42	41.2103.51	Copribasetta	1
12	51.1600.22	Coperchio posteriore carter	1	43	93.5648.00	Condensatore 40 µF	1
13	99.1867.00	Vite M6x18 UNI 5931	4	44	99.1705.00	Vite M5x65 UNI 5931	4
14	51.0300.22	Biella	3	45	90.3889.00	OR Ø 48.89x2.62 (3193)	1
15	51.0200.35	Albero ecc. - 8/70	1	46	93.5042.00	Interruttore	1
	51.0201.35	Albero ecc. - 1/50	1	47	99.1515.00	Vite M5x12 UNI 7387	1
16	97.7310.00	Spinotto Ø 8x24.5	3	48	96.6913.00	Rosetta Ø 5.3x9x0.6	1
17	91.4877.00	Linguetta 8x7x25 UNI 6604	1	49	51.2003.74	Piedino motore	1
18	98.2103.00	Tappo carico olio G 3/8"	1	50	93.5208.00	Pressacavo G 3/8"x Ø 8	1
19	99.1897.00	Vite M6x25 UNI 5931	4	51	96.7014.00	Rosetta Ø 8.4x13x0.8	4
20	96.6938.00	Rosetta Ø 6.4x10x0.7	20	52	99.3037.00	Vite M8x16 UNI 5739	4
21	91.8328.00	Cuscinetto a sfere 6305	1	53	51.1000.51	Anello di testa Ø 15	96-97
22	90.0635.00	Anello seeger Ø 25 UNI 7435	1	54	90.2620.00	Anello ten. alt. Ø 15x25x5/3.1 HP9	6-97
23	90.1634.00	Anello rad. Ø 25x42x7	1	55	51.0800.70	Anello di fondo Ø 15	86-96
24	90.4097.00	OR Ø 55.56x3.53 (159)	1	56	90.3604.00	OR Ø 25.12x1.78 (2100)	86-96-97
25	50.2115.51	Distanziale	1	57	90.3835.00	OR Ø 15.08x2.62 (119)	86-96-97
26	50.1500.74	Coperchio laterale carter	1	58	98.2218.00	Tappo M24x1.5	84
27	99.1807.00	Vite M6x10 UNI 5739	4	59	90.3847.00	OR Ø 20.24x2.62 (3081)	84
28	41.3403.02	Rotore comp. 1.5 CV – 2P – 50 Hz	1	60	36.2002.51	Guida Valvola	1
29	41.3203.02	Statore comp. 1.5 CV – Mon. – 220 V	1	61	94.7376.00	Molla Ø 9.4x14.8	1
	41.3208.02	Statore comp. 1.5 CV – Mon. – 240V	1	62	36.2001.76	Valvola	1
30	98.2093.00	Tappo G 3/8"	1	63	36.2003.66	Sede valvola	1
31	90.0795.00	Anello seeger Ø 52 UNI 7437	1				

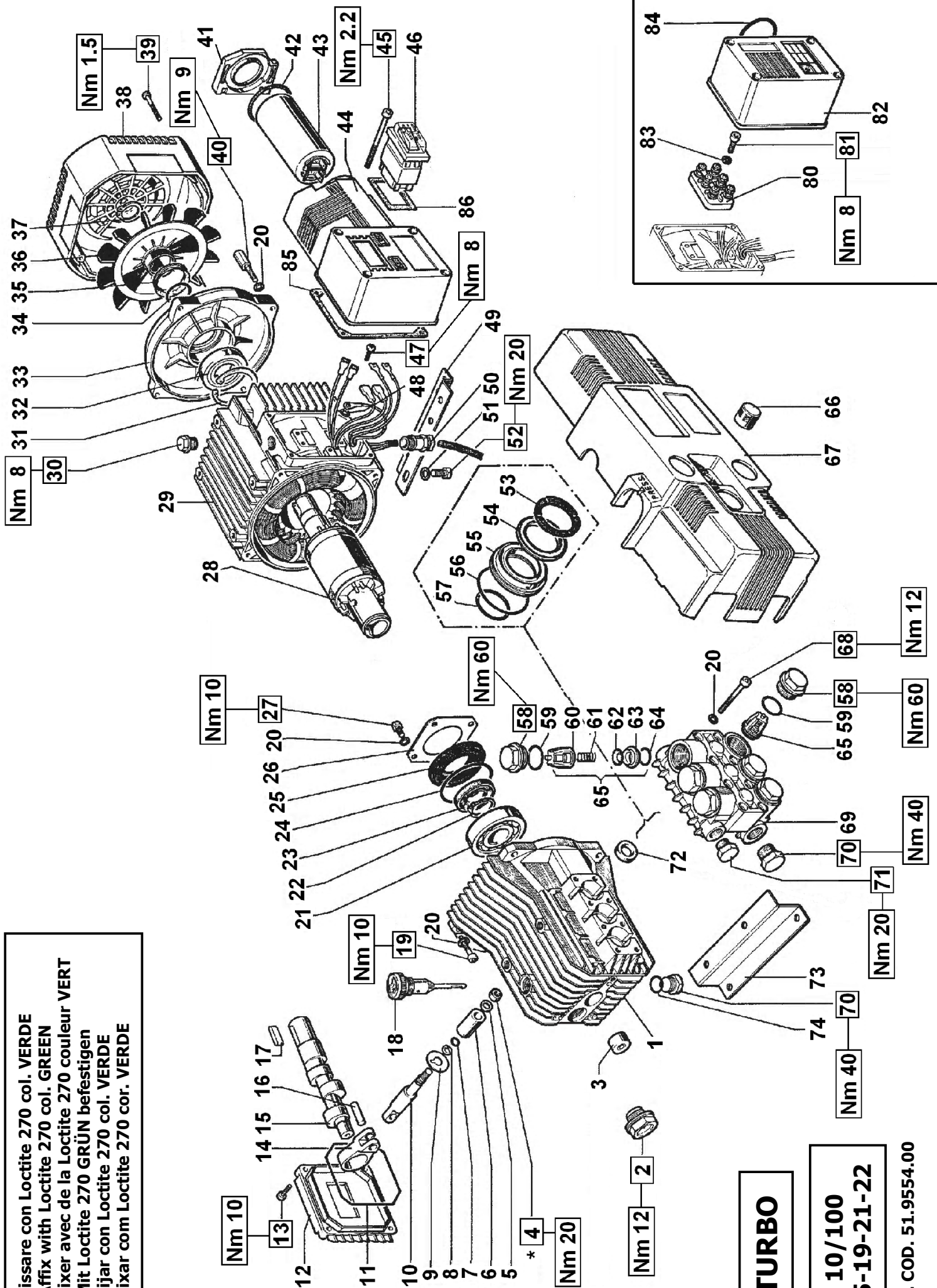
  

KIT Nr.	Posizioni include Positions included	KIT 1	KIT 83	KIT 84	KIT 86	KIT 96	KIT 97
	60 - 61 62 - 63 64 - (65)	72	58 - 59	55 - 56 57	53 - 54 55 - 56 57	53 - 54 55 - 56 57	53 - 54 55 - 56 57
Nr. Pcs.	6	3	6	3	1	3	3

POS	COD.	DESCRIZIONE – DESCRIPTION - KIT	NR
64	90.3841.00	OR Ø 17.13x2.62 (3068)	1
65	36.7032.01	Gruppo valvola aspiraz./mandata	1
66	52.2122.51	Pomolo	1
67	51.2103.51	Carter di protezione	1
68	99.1943.00	Vite M6x40 UNI 5931	8
69	51.1200.22 51.1200.41	Testata pompa – NICKEL Testata pompa	1 1
70	98.2100.00	Tappo G 3/8"x13	2
71	98.2041.00	Tappo G 1/4"x9	1
72	90.1565.00	Anello rad. Ø 15x24x5	83
73	51.2002.74	Piedino pompa	1
74	90.3833.00	OR Ø 13.95x2.62 (3056)	1
80	93.5745.00	Basetta	1
81	99.1537.00	Vite M5x12 UNI 5931	2
82	41.2122.51	Copribasetta – versione senza interrutt.	1
83	96.6910.00	Roasetta Ø 5.3x9x0.6	2

- \* Fissare con Loctite 270 col. VERDE
- \* Affix with Loctite 270 col. GREEN
- \* Fixer avec de la Loctite 270 couleur VERT
- \* Mit Loctite 270 GRÜN befestigen
- \* Fijar con Loctite 270 col. VERDE
- \* Fixar com Loctite 270 cor. VERDE



**TURBO**

**10/100  
15-19-21-22**

DIS. COD. 51.9554.00



**KIT RICAMBI – SPARE KITS**

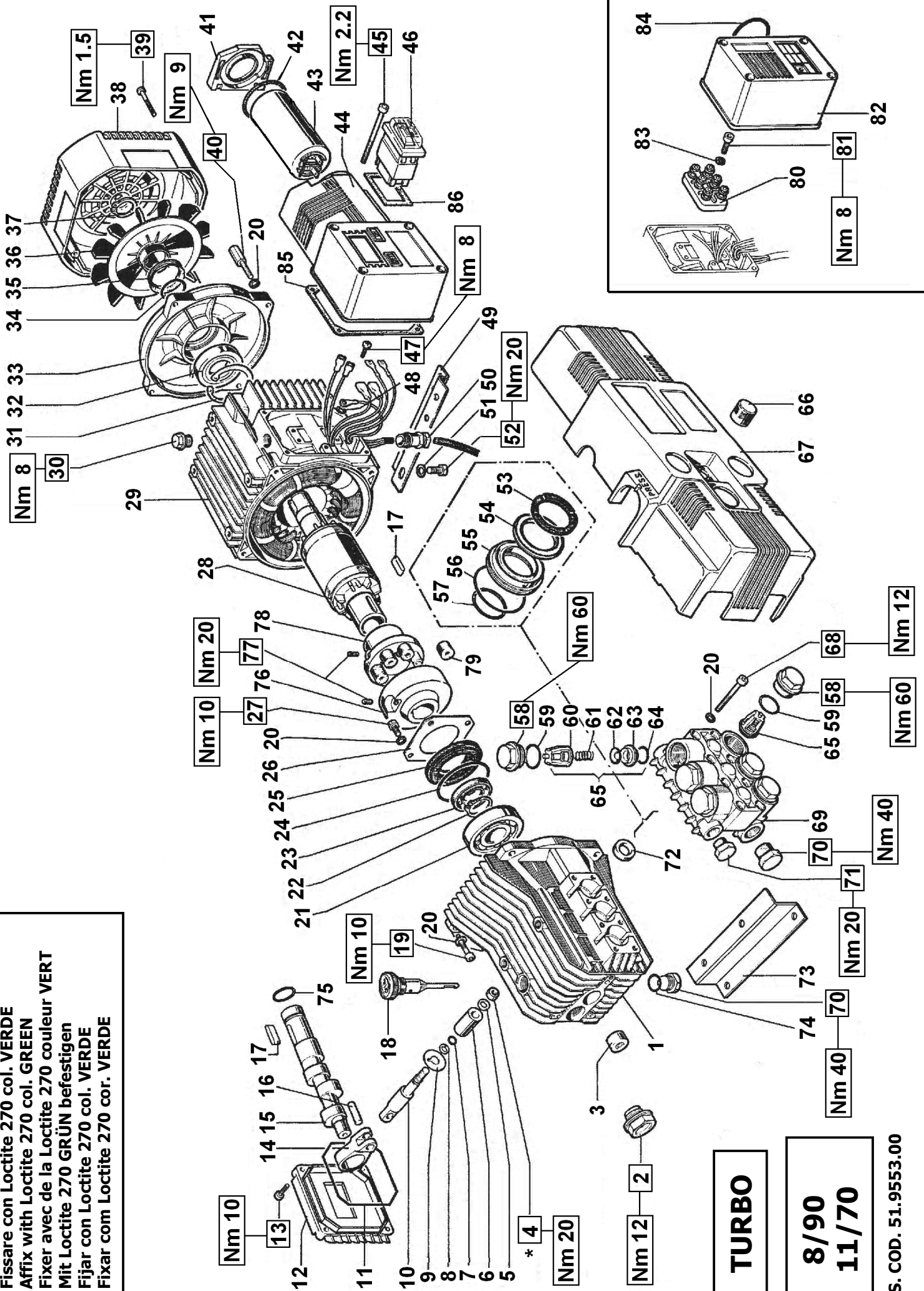
POS	COD.	DESCRIZIONE – DESCRIPTION - KIT	NR
	41.3221.02	Statore comp. 1.5 CV - 21	1
	41.3222.02	Statore comp. 1.5 CV - 19	1
29	41.3224.02	Statore comp. 1.5 CV - 15	1
	41.3226.02	Statore comp. 2 CV - 22	1
	41.3227.02	Statore comp. 2.5 CV 220 - 10/100	1
	41.3229.02	Statore comp. 2.5 CV 240 - 10/100	1
30	98.2093.00	Tappo G 3/8"	1
31	90.0795.00	Anello seeger Ø 52 UNI 7437	1
32	91.8323.00	Cuscinetto a sfere 6205 2Z	1
33	41.0700.22	Scudo posteriore	1
34	90.3857.00	OR Ø 23.81x2.62 (132)	1
35	90.1652.00	Anello V-SEAL	1
36	41.0300.51	Ventola	1
37	90.0628.00	Anello seeger Ø 24 UNI 7435	1
38	41.0400.51	Copriventola	1
39	99.1658.00	Vite M5x45 UNI 7687	4
40	41.2104.65	Vite fissaggio scudo posteriore	4
41	41.2120.51	Coperchio copribasetta autoesting.	1
42	90.3885.00	OR Ø 45.69x2.62 (3181)	1
	93.5688.00	Condensatore 80 µF - 15 19 21	1
43	93.5658.00	Condensatore 50 µF - 10/100	1
	93.5694.00	Condensatore 100 µF - 22	1
44	41.2124.51	Copribasetta autoestingente	1
45	99.1705.00	Vite M5x65 UNI 5931	4
	93.5031.00	Interruttore - 15 19 21	1
46	93.5027.00	Interruttore - 10/100	1
	93.5070.00	Interruttore - 22	1
47	99.1515.00	Vite M5x12 UNI 7387	1
48	96.6913.00	Rosetta Ø 5.3x9x0.6	1
49	51.2003.74	Piedino motore	1
50	93.5210.00	Pressacavo G 3/8"x Ø 10	1
51	96.7014.00	Rosetta Ø 8.4x13x0.8	4
52	99.3037.00	Vite M8x16 UNI 5739	4
53	51.1000.51	Anello di testa Ø15	3
54	90.2620.00	Anello ten.alt. Ø15x25x5/3.1 HP 96-97	3
55	51.0800.70	Anello di fondo Ø 15	3

POS	COD.	DESCRIZIONE – DESCRIPTION - KIT	NR
1	51.0100.22	Carter pompa	1
2	97.5968.00	Spia livello olio G 3/4"	1
3	91.8014.00	Boccola a rullini	1
4	92.2216.00	Dado M8x13x5 - INOX	3
5	44.2115.70	Rosetta Ø 8 con collare	3
6	51.0400.09	Pistone Ø 15x25	3
7	90.3572.00	OR Ø 5.28x1.78 (2021)	3
8	90.5022.00	Anello antifest. Ø 6.2x9x1.5	3
9	96.7070.00	Rosetta Ø 9x23x0.5	3
10	51.0500.56	Guida pistone	3
11	90.3917.00	OR Ø 88.57x2.62 (3350)	1
12	51.1600.22	Coperchio posteriore carter	1
13	99.1867.00	Vite M6x18 UNI 5931	4
14	51.0300.22	Biella	3
	51.0200.35	Albero ecc. - 15	1
15	51.0204.35	Albero ecc. - 19 21 22	1
	51.0217.35	Albero ecc. - 10/100	1
16	97.7310.00	Spinotto Ø 8x24.5	3
17	91.4877.00	Linguetta 8x7x25 UNI 6604	1
18	98.2103.00	Tappo carico olio G 3/8"	1
19	99.1897.00	Vite M6x25 UNI 5931	4
20	96.6938.00	Rosetta Ø 6.4x10x0.7	20
21	91.8328.00	Cuscinetto a sfere 6305	1
22	90.0635.00	Anello seeger Ø 25 UNI 7435	1
23	90.1634.00	Anello rad. Ø 25x42x7	1
24	90.4097.00	OR Ø 55.56x3.53 (159)	1
25	50.2115.51	Distanziale	1
26	50.1500.74	Coperchio laterale carter	1
27	99.1807.00	Vite M6x10 UNI 5739	4
	41.3403.02	Rotore comp. 1.5 CV - 15	1
	41.3407.02	Rotore comp. 1.5 CV - 19 21	1
	41.3406.02	Rotore comp. 2.5 CV - 10/100	1
	41.3408.02	Rotore comp. 2 CV - 22	1

KIT Nr.	KIT 1	KIT 83	KIT 84	KIT 86	KIT 96	KIT 97
Posizioni incluse Positions included	60 - 61 62 - 63 64 - (65)	72	58 - 59 57	55 - 56 57	53 - 54 55 - 56 57	53 - 54 56 - 57
Nr. Pcs.	6	3	6	3	1	3

POS	COD.	DESCRIZIONE – DESCRIPTION - KIT	NR
56	90.3604.00	OR Ø 25.12x1.78 (2100)	86-96-97
57	90.3835.00	OR Ø 15.08x2.62 (119)	86-96-97
58	98.2218.00	Tappo M24x1.5	84
59	90.3847.00	OR Ø 20.24x2.62 (3081)	84
60	36.2002.51	Guida Valvola	1
61	94.7376.00	Molla Ø 9.4x14.8	1
62	36.2001.76	Valvola	1
63	36.2003.66	Sede valvola	1
64	90.3841.00	OR Ø 17.13x2.62 (3068)	1
65	36.7032.01	Gruppo valvola aspiraz./mandata	1
66	52.2122.51	Pomolo	1
67	51.2103.51	Carter di protezione	1
68	99.1943.00	Vite M6x40 UNI 5931	8
69	51.1200.22	Testata pompa - NICKEL	1
	51.1200.41	Testata pompa	1
70	98.2100.00	Tappo G 3/8"x13	2
71	98.2041.00	Tappo G 1/4"x9	1
72	90.1565.00	Anello radiale Ø 15x24x5	83
73	51.2002.74	Piedino pompa	1
74	90.3833.00	OR Ø 13.95x2.62 (3056)	1
80	93.5745.00	Basetta	1
81	99.1537.00	Vite M5x12 UNI 5931	2
82	41.2122.51	Copribasetta - versione senza interrutt.	1
83	96.6910.00	Rosetta Ø 5.3x9x0.6	2
84	90.3889.00	OR Ø 48.89x2.62 (3193)	1
85	41.2101.47	Guarnizione copribasetta	1
86	41.2126.84	Guarnizione interruttore	1

- \* Fissare con Loctite 270 col. VERDE
- \* Affix with Loctite 270 col. GREEN
- \* Fixer avec de la Loctite 270 couleur VERT
- \* Mit Loctite 270 GRÜN befestigen
- \* Fijar con Loctite 270 col. VERDE
- \* Fixar com Loctite 270 cor. VERDE



**TURBO**

**8/90**  
**11/70**

DIS. COD. 51.9553.00

**KIT RICAMBI – SPARE KITS**

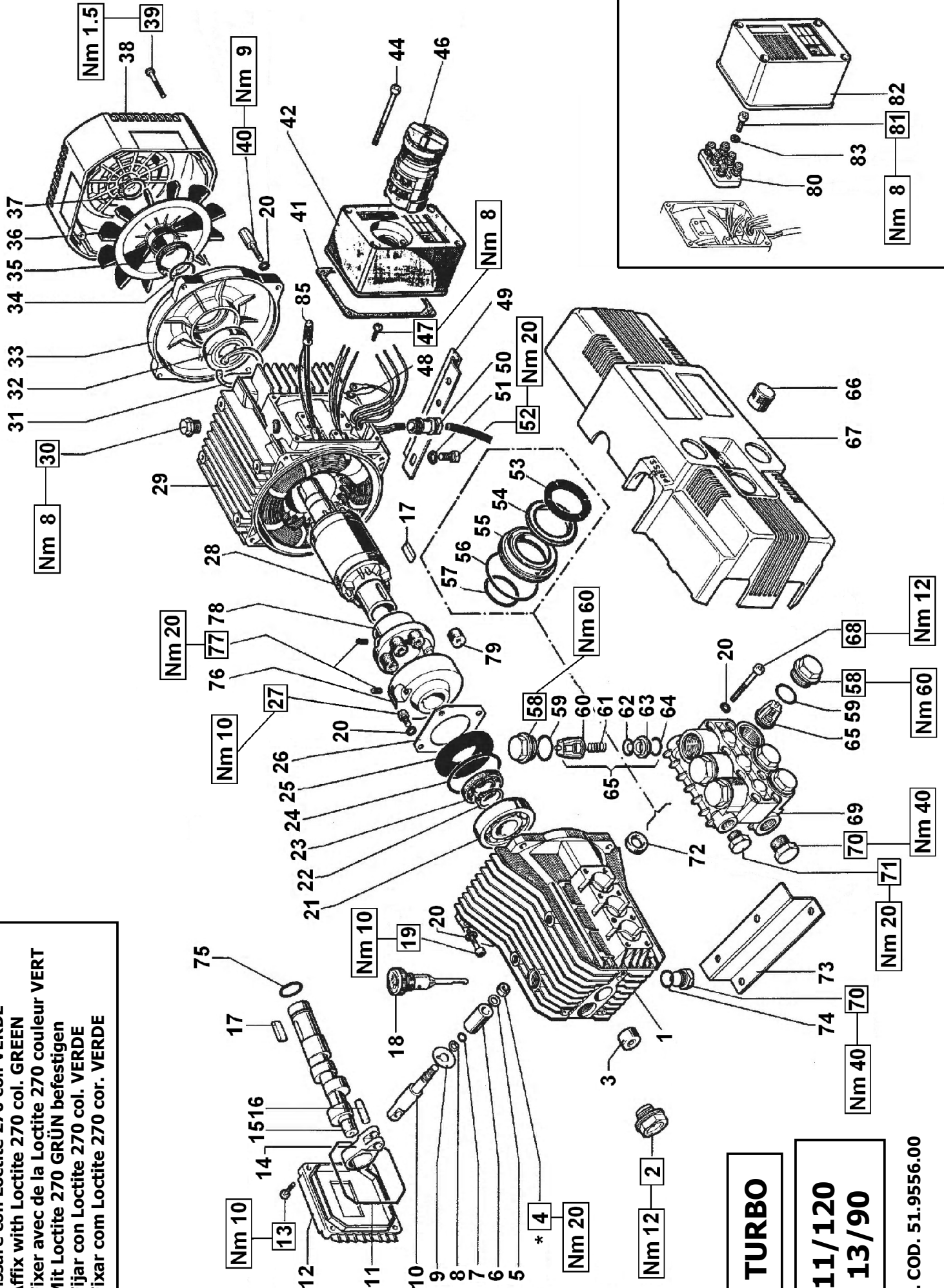
KIT Nr.	KIT 1	KIT 83	KIT 84	KIT 86	KIT 96	KIT 97
Posizioni include Positions included	60 - 61 62 - 63 64 - (65)	72	58 - 59	55 - 56 57	53 - 54 55 - 56 57	53 - 54 55 - 56 56 - 57
Nr. Pcs.	6	3	6	3	1	3

POS	COD.	DESCRIZIONE – DESCRIPTION - KIT	NR
62	36.2001.76	Valvola	1
63	36.2003.66	Sede valvola	1
64	90.3841.00	OR Ø 17.13x2.62 (3068)	1
65	36.7032.01	Gruppo valvola aspiraz./mandata	1
66	52.2122.51	Pomolo	1
67	51.2103.51	Carter di protezione	1
68	99.1943.00	Vite M6x40 UNI 5931	8
69	51.1200.22	Testata pompa - NICKEL	1
	51.1202.22	Testata pompa - 8/90	1
	51.1200.41	Testata pompa - 11/70	1
70	98.2100.00	Tappo G 3/8"x13	2
71	98.2041.00	Tappo G 1/4"x9	1
72	90.1565.00	Anello radiale Ø 15x24x5	83
73	51.2002.74	Piedino pompa	1
74	90.3833.00	OR Ø 13.95x2.62 (3056)	1
75	90.3845.00	OR Ø 13.95x2.62 (3075)	1
76	10.0277.22	Semigiunto pompa	1
77	99.3017.00	Vite M8x10 UNI 5929	2
78	10.0278.22	Semigiunto motore	1
79	10.0090.47	Boccola	6
80	93.5745.00	Basetta	1
81	99.1537.00	Vite M5x12 UNI 5931	2
82	41.2122.51	Copribasetta – versione senza interrutt.	1
83	96.6910.00	Rosetta Ø 5.3x9x0.6	2
84	90.3889.00	OR Ø 48.89x2.62 (3193)	1
85	41.2101.47	Guarnizione per copribasetta	1
86	41.2126.84	Guarnizione interruttore	1

POS	COD.	DESCRIZIONE – DESCRIPTION - KIT	NR
31	90.0795.00	Anello seeger Ø 52 UNI 7437	1
32	91.8323.00	Cuscinetto a sfere 6205 2Z	1
33	41.0700.22	Scudo posteriore	1
34	90.3857.00	OR Ø 23.81x2.62 (132)	1
35	90.1652.00	Anello V-SEAL	1
36	41.0300.51	Ventola	1
37	90.0628.00	Anello seeger Ø 24 UNI 7435	1
38	41.0400.51	Copri ventola	1
39	99.1658.00	Vite M5x45 UNI 7687	4
40	41.2104.65	Vite fissaggio scudo posteriore	4
41	41.2120.51	Coperchio copribasetta autoesting.	1
42	90.3885.00	OR Ø 45.69x2.62 (3181)	1
43	93.5658.00	Condensatore 50 µF	1
44	41.2124.51	Copribasetta autoestingente	1
45	99.1705.00	Vite M5x65 UNI 5931	4
46	93.5026.00	Interruttore	1
47	99.1515.00	Vite M5x12 UNI 7387	1
48	96.6913.00	Rosetta Ø 5.3x9x0.6	1
49	51.2003.74	Piedino motore	1
50	93.5210.00	Pressacavo G 3/8"x Ø 10	1
51	96.7014.00	Rosetta Ø 8.4x13x0.8	4
52	99.3037.00	Vite M8x16 UNI 5739	4
53	51.1000.51	Anello di testa Ø 15	96-97
54	90.2620.00	Anello ten. alt. Ø 15x25x5/3.1 HP	96-97
55	51.0800.70	Anello di fondo Ø 15	86-96
56	90.3504.00	OR Ø 25.12x1.78 (2100)	86-96-97
57	90.3835.00	OR Ø 15.08x2.62 (119)	86-96-97
58	98.2218.00	Tappo M24x1.5	84
59	90.3847.00	OR Ø 20.24x2.62 (3081)	84
60	36.2002.51	Guida Valvola	1
61	94.7376.00	Molla Ø 9.4x14.8	1

POS	COD.	DESCRIZIONE – DESCRIPTION - KIT	NR
1	51.0100.22	Carter pompa	1
2	97.5968.00	Spia livello olio G 3/4"	1
3	91.8014.00	Boccola a rullini	1
4	92.2216.00	Dado M8x13x5 - INOX	3
5	44.2115.70	Rosetta Ø 8 con collare	3
6	51.0400.09	Pistone Ø 15x25	3
7	90.3572.00	OR Ø 5.28x1.78 (2021)	3
8	90.5022.00	Anello antiest. Ø 6.2x9x1.5	3
9	96.7070.00	Rosetta Ø 9x23x0.5	3
10	51.0500.56	Guida pistone	3
11	90.3917.00	OR Ø 88.57x2.62 (3350)	1
12	51.1600.22	Coperchio posteriore carter	1
13	99.1867.00	Vite M6x18 UNI 5931	4
14	51.0300.22	Biella	3
15	51.0202.35	Albero ecc. - 11/70	1
	51.0205.35	Albero ecc. - 8/90	1
16	97.7310.00	Spinotto Ø 8x24.5	3
17	91.4874.00	Linguetta 8x7x25 UNI 6604	2
18	98.2103.00	Tappo carico olio G 3/8"	1
19	99.1897.00	Vite M6x25 UNI 5931	4
20	96.6938.00	Rosetta Ø 6.4x10x0.7	20
21	91.8328.00	Cuscinetto a sfere 6305	1
22	90.0635.00	Anello seeger Ø 25 UNI 7435	1
23	90.1634.00	Anello rad. Ø 25x42x7	1
24	90.4097.00	OR Ø 55.56x3.53 (159)	1
25	50.2115.51	Distanziale	1
26	50.1500.74	Coperchio laterale carter	1
27	99.1807.00	Vite M6x10 UNI 5739	4
28	41.3405.02	Rotore comp. 2 CV – Mon.	1
29	41.3206.02	Statore comp. 2 CV – Mon. – 220 V	1
	41.3210.02	Statore comp. 2 CV – Mon. – 240 V	1
30	98.2093.00	Tappo G 3/8"	1

- \* Fissare con Loctite 270 col. VERDE
- \* Affix with Loctite 270 col. GREEN
- \* Fixer avec de la Loctite 270 couleur VERT
- \* Mit Loctite 270 GRÜN befestigen
- \* Fijar con Loctite 270 col. VERDE
- \* Fixar com Loctite 270 cor. VERDE



**TURBO**

**11/120  
13/90**

DIS. COD. 51.9556.00

**KIT RICAMBI – SPARE KITS**

POS	COD.	DESCRIZIONE – DESCRIPTION - KIT	NR	POS	COD.	DESCRIZIONE – DESCRIPTION - KIT	NR
1	51.0100.22	Carter pompa	1	31	90.0795.00	Anello seeger Ø 52 UNI 7437	1
2	97.5968.00	Spia livello olio G 3/4"	1	32	91.8323.00	Cuscinetto a sfere 6205 2Z	1
3	91.8014.00	Boccola a rullini	1	33	41.0700.22	Scudo posteriore	1
4	92.2216.00	Dado M8x13x5 - INOX	3	34	90.3857.00	OR Ø 23.81x2.62 (132)	1
5	44.2115.70	Rosetta Ø 8 con collare	3	35	90.1652.00	Anello V-SEAL	1
6	51.0400.09	Pistone Ø 15x25	3	36	41.0300.51	Ventola	1
7	90.3572.00	OR Ø 5.28x1.78 (2021)	3	37	90.0628.00	Anello seeger Ø 24 UNI 7435	1
8	90.5022.00	Anello antiest. Ø 6.2x9x1.5	3	38	41.0400.51	Copriventola	1
9	96.7070.00	Rosetta Ø 9x23x0.5	3	39	99.1658.00	Vite M5x45 UNI 7687	4
10	51.0500.56	Guida pistone	3	40	41.2104.65	Vite fissaggio scudo posteriore	4
11	90.3917.00	OR Ø 88.57x2.62 (3350)	1	41	41.2101.47	Guarnizione copribasetta	1
12	51.1600.22	Coperchio posteriore carter	1	42	41.2123.51	Copribasetta	1
13	99.1867.00	Vite M6x18 UNI 5931	4	44	99.1507.00	Vite M5x12 UNI 7687	4
14	51.0300.22	Biella	3	46	93.5037.00	Interruttore	1
15	51.0202.35	Albero ecc. - 11/120	1	47	99.1515.00	Vite M5x12 UNI 7387	1
	51.0203.35	Albero ecc. - 13/90	1	48	96.6913.00	Rosetta Ø 5.3x9x0.6	1
16	97.7310.00	Spinotto Ø 8x24.5	3	49	51.2003.74	Piedino motore	1
17	91.4874.00	Linguetta 8x7x25 UNI 6604	1	50	93.5210.00	Pressacavo G 3/8"x Ø 10	1
18	98.2103.00	Tappo carico olio G 3/8"	1	51	96.7014.00	Rosetta Ø 8.4x13x0.8	4
19	99.1897.00	Vite M6x25 UNI 5931	4	52	99.3037.00	Vite M8x16 UNI 5739	4
20	96.6938.00	Rosetta Ø 6.4x10x0.7	20	53	51.1000.51	Anello di testa Ø15	3
21	91.8328.00	Cuscinetto a sfere 6305	1	54	90.2620.00	Anello ten. alt. Ø 15x25x5/3.1 HP	3
22	90.0635.00	Anello seeger Ø 25 UNI 7435	1	55	51.0800.70	Anello di fondo Ø 15	3
23	90.1634.00	Anello rad. Ø 25x42x7	1	56	90.3604.00	OR Ø 25.12x1.78 (2100)	3
24	90.4097.00	OR Ø 55.56x3.53 (159)	1	57	90.3835.00	OR Ø 15.08x2.62 (119)	3
25	50.2115.51	Distanziale	1	58	98.2218.00	Tappo M24x1.5	84
26	50.1500.74	Coperchio laterale carter	1	59	90.3847.00	OR Ø 20.24x2.62 (3081)	84
27	99.1807.00	Vite M6x10 UNI 5739	4	60	36.2002.51	Guida Valvola	1
28	41.3404.02	Rotore comp. 3 CV – Trif.	1	61	94.7376.00	Molla Ø 9.4x14.8	1
29	41.3204.02	Statore comp. 3 CV – Trif.	1	62	36.2001.76	Valvola	1
30	98.2093.00	Tappo G 3/8"	1				

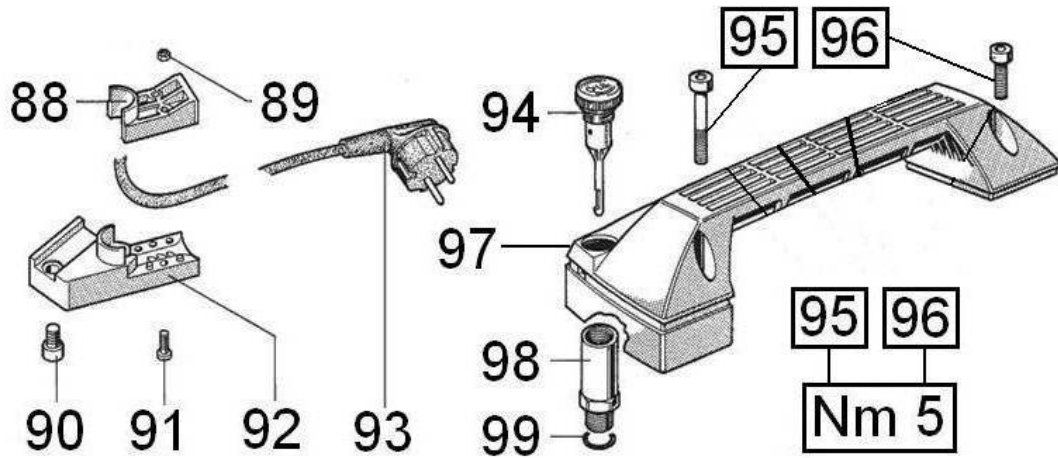
  

KIT Nr.	KIT 1	KIT 83	KIT 84	KIT 86	KIT 96	KIT 97
Posizioni incluse Positions included	60 - 61 62 - 63 64 - (65)	72	58 - 59	55 - 56 57	53 - 54 55 - 56 57	53 - 54 56 - 57
Nr. Pcs.	6	3	6	3	1	3

POS	COD.	DESCRIZIONE – DESCRIPTION - KIT	NR
63	36.2003.66	Sede valvola	1
64	90.3841.00	OR Ø 17.13x2.62 (3068)	1
65	36.7032.01	Gruppo valvola aspiraz./mandata	1
66	52.2122.51	Pomolo	1
67	51.2103.51	Carter di protezione	1
68	99.1943.00	Vite M6x40 UNI 5931	8
69	51.1200.41	Testata pompa	1
70	98.2100.00	Tappo G 3/8"x13	2
71	98.2041.00	Tappo G 1/4"x9	1
72	90.1565.00	Anello radiale Ø 15x24x5	83
73	51.2002.74	Piedino pompa	1
74	90.3833.00	OR Ø 13.95x2.62 (3056)	1
75	90.3845.00	OR Ø 13.95x2.62 (3075)	1
76	10.0277.22	Semigiunto pompa	1
77	99.3017.00	Vite M8x10 UNI 5929	2
78	10.0278.22	Semigiunto motore	1
79	10.0090.47	Boccola	6
80	93.5745.00	Basetta	1
81	99.1537.00	Vite M5x12 UNI 5931	2
82	41.2105.51	Copribasetta – versione senza interrutt.	1
83	96.6910.00	Rosetta Ø 5.3x9x0.6	2
85	93.5790.00	Morsetto 380 V	1

# QUIKY VERSION



**DIS. COD. 51.9543.00**

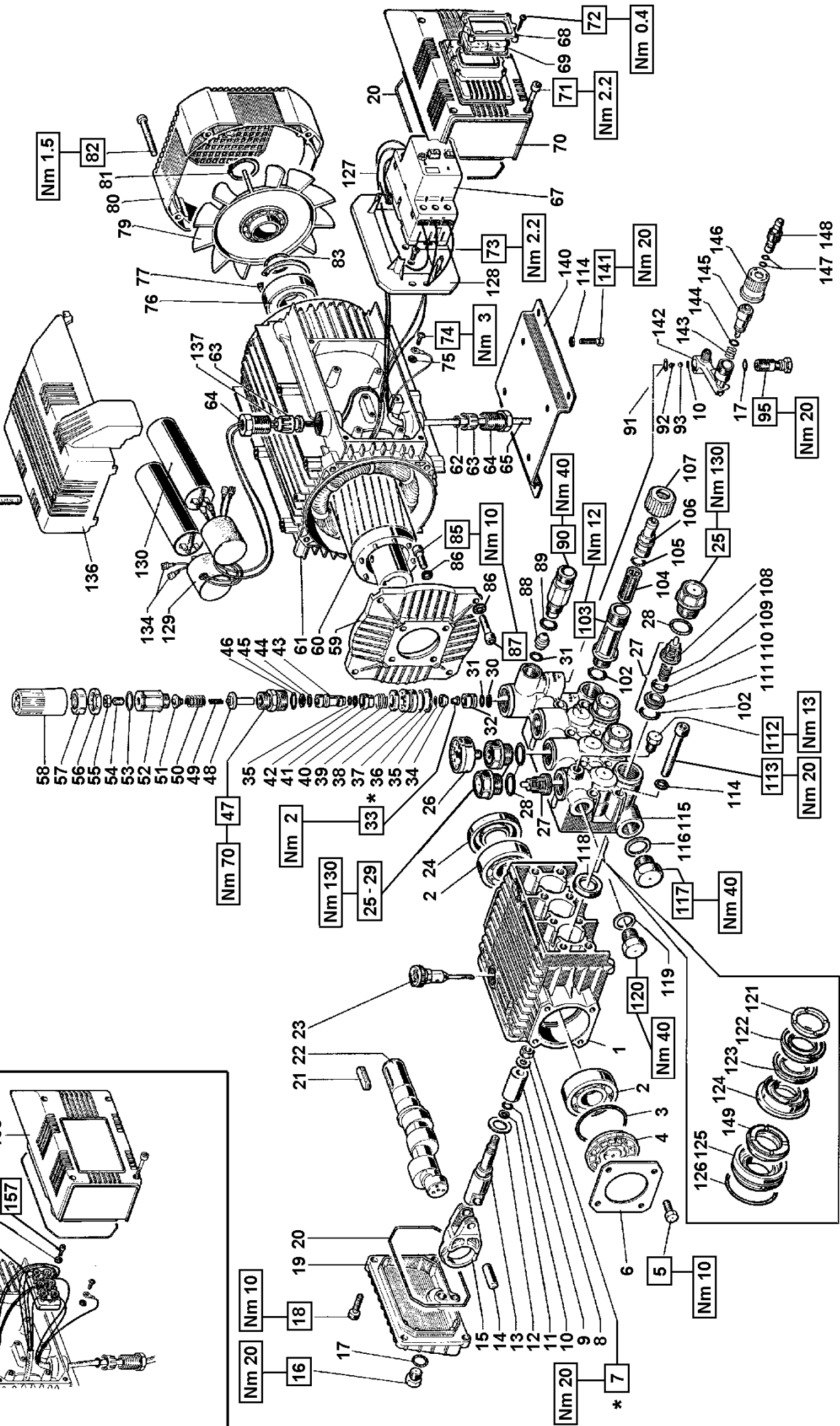
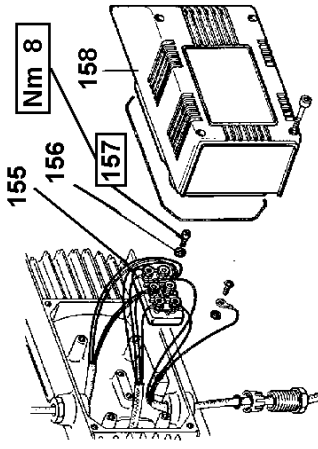
POS	COD.	DESCRIZIONE - DESCRIPTION	NR
88	41.2119.51	Morsetto pressacavo	1
89	92.1926.00	Dado M4x7x3.2 UNI 5588	2
90	99.3039.00	Vite M8x16 UNI 5931	1
91	99.1306.00	Vite M4x16 UNI 7687	2
92	41.2118.51	Staffa pressacavo	1
93	10.7274.01	Cavo con spina	1

POS	COD.	DESCRIZIONE - DESCRIPTION	NR
94	98.2097.00	Tappo con asta G 3/8"x113	1
95	99.3144.00	Vite M8x50 UNI 5931	2
96	99.3069.00	Vite M8x25 UNI 5931	2
97	51.2400.51	Manico	1
98	51.2100.51	Prolunga tappo olio	1
99	90.3833.00	OR Ø 13.95x2.62 (3056)	2



\* Fissare con Loctite 270 col. VERDE  
 \* Affix with Loctite 270 col. GREEN  
 \* Fixer avec de la Loctite 270 couleur VERT

\* Mit Loctite 270 GRÜN befestigen  
 \* Fijar con Loctite 270 col. VERDE  
 \* Fixar com Loctite 270 cor. VERDE





**KIT RICAMBI – SPARE KITS**

KIT Nr.	KIT 23	KIT 94	KIT 123	KIT 124	PISTONE – PISTON Ø 15						PISTONE – PISTON Ø 18					
					KIT 88	KIT 89	KIT 90	KIT 125	KIT 130	KIT 126	KIT 127	KIT 128	KIT 129	KIT 131		
Posizioni incluse Positions included	118	10 - 17 - 31 89 - 91 - 92 93 - 143 - 144 147	102 - 108 109 - 110 111 (27)	25 - 28	30 - 31 - 32 - 33 34 - 35 - 36 - 37 38 - 39 - 40 - 41 42 - 43 - 44 - 45	122 - 123 149	124	121	125 - 126	121 - 122 123 - 124 125 - 126 149	125 - 126	123 - 122 149	124	121	121 - 122 123 - 124 125 - 126 149	
Nr. Pcs.	3	1	6	6	1	3	3	6	3	1	3	3	3	6	1	



**M10-130  
M12-100  
M951 M954  
M957**

**PISTONE – PISTON  
Ø15**

**M10-130 M951**

**PISTONE – PISTON  
Ø18**

**M12-100  
M954 M957**

POS	COD.	DESCRIZIONE – DESCRIPTION - KIT	NR
17	90.3585.00	OR Ø 10.82x1.78 (2043)	94 2
18	99.1837.00	Vite M6x14 UNI 5931	5
19	44.1600.22	Coperchio posteriore carter	1
20	90.3920.00	OR Ø 101.27x2.62 (3400)	2
21	91.4892.00	Linguetta 8x7x35 UNI 6604	1
22	44.0206.35 44.0203.35	Albero ecc. – M10-130 M951 M957 Albero ecc. – M12-100 M954	1 1
23	98.2103.00	Tappo carico olio G 3/8"	1
24	90.1641.00	Anello rad. Ø 25x62x10	1
25	98.2226.00	Tappo M24x1.5x17	124 5
26	94.5824.00	Manometro	1
27	36.7115.01	Gruppo valvola aspiraz./mandata	123 6
28	90.3847.00	OR Ø 20.24x2.62 (3081)	124 6
29	98.2227.00	Tappo M24x1.5 per manometro	1
30	90.5065.00	Anello antiest. Ø 10.6x15x2	137 1
31	90.3822.00	OR Ø 9.92x2.62 (112)	94-137 2
32	36.3164.66	Sede valvola	137 1
33	99.1509.00	Vite M5x7.5 – INOX	137 1
34	36.3190.66	Valvola sferica	137 1
35	90.3575.00	OR Ø 6.72x1.78 (106)	137 2
36	90.5144.00	Anello antiest. Ø 22x25x1.5	137 1
37	90.3500.00	OR Ø 21.92x1.78 (2087)	137 1
38	36.3229.70	Guida valvola	137 1
39	36.3231.51	Valvola	137 1
40	94.7485.00	Molla Ø 18.5x11.5	137 1

POS	COD.	DESCRIZIONE – DESCRIPTION - KIT	NR
41	36.3230.70	Distanziale	137 1
42	90.5025.00	Anello antiest. Ø 7x10x1.5	137 1
43	36.3234.70	Pistoncino di comando	137 1
44	90.3820.00	OR Ø 9.13x2.62 (109)	137 1
45	90.5052.00	Anello antiest. Ø 9.6x14x1.5	137 1
46	90.3857.00	OR Ø 23.81x2.62 (132)	1
47	36.3228.70	Boccola di guida	1
48	36.3233.70	Piattello inferiore molla	1
49	94.7345.00	Molla Ø 7.6x29	1
50	94.7436.00	Molla Ø 15x35	1
51	36.3169.70	Piattello molla	1
52	36.3185.70	Registro pressione	1
53	90.3598.00	OR Ø 20.35x1.78 (2081)	1
54	99.3054.00	Vite M8x20 UNI 5923	1
55	92.2218.00	Dado M8x5x13 UNI 5589	1
56	92.2935.00	Dado M28x1.5	1
57	36.3186.70	Ghiera per registro pressione	1
58	36.3187.51	Pomolo regolazione valvola	1
59	10.0501.22	Flangia	1
60	43.3401.02	Rotore comp. 3 CV – Mon.	1
61	43.3201.02 43.3203.02 43.3208.02	Statore comp. 3 CV – Mon. – 220 V Statore comp. 3 CV – Mon. – 230V 60 HZ Statore comp. 3 CV – Mon. – 240 V	1 1 1
62	90.4028.00	OR Ø 9.12x3.53 (4036)	1
63	43.2128.51	Pinza pressa cavo	2
64	43.2127.51	Pressa cavo	2

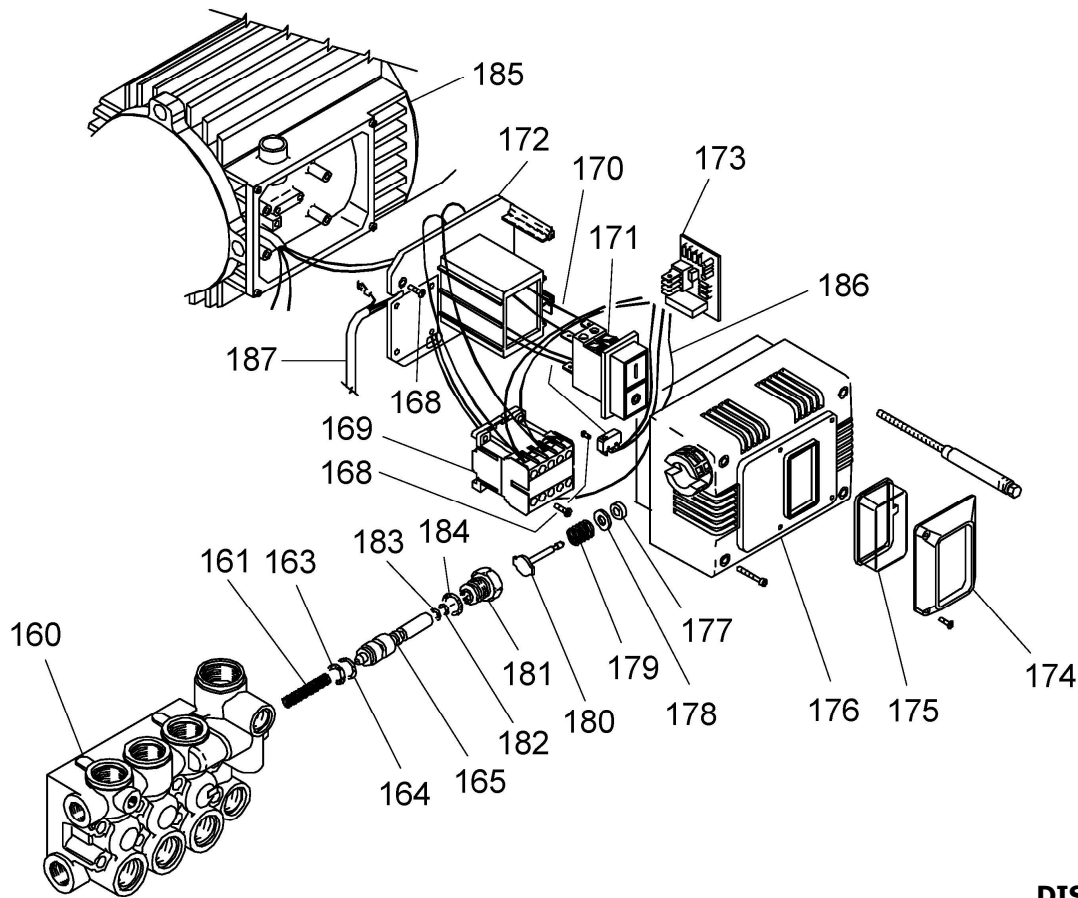
POS	COD.	DESCRIZIONE – DESCRIPTION - KIT	NR
1	44.0100.22	Carter pompa	1
2	91.8328.00	Cuscinetto a sfere 6305	2
3	90.4097.00	OR 6 55.56x3.53 (159)	1
4	44.2118.01	Distanziale con indicatore	1
5	99.1807.00	Vite M6x10 UNI 5739	4
6	50.1500.74	Coperchio laterale carter	1
7	92.2216.00	Dado M8x13X5 - inox	3
8	44.2115.70	Rosetta Ø 8 con collare	3
9	52.0400.09 44.0401.09	Pistone Ø 15x37.5 Pistone Ø 18x37.5	3 3
10	90.3572.00	OR Ø 5.28x1.78 (2021)	94 4
11	90.5022.00	Anello antiest. Ø 6.2x9x1.5	3
12	96.7350.66	Rosetta Ø 16x28x1	3
13	44.0500.66	Guida pistone	3
14	97.7340.00	Spinotto Ø 10x29.5	3
15	44.0300.22	Biella	3
16	98.2041.00	Tappo G 1/4"x9	1

POS	COD.	DESCRIZIONE - DESCRIPTION - KIT	NR
136	43.2124.51	Protezione condensatori	1
137	43.2129.47	Tenuta cavetti	1
138	99.1705.00	Vite M5x65 UNI 5931	1
140	42.2000.74	Piedino motore - OPTIONAL	1
141	99.3067.00	Vite M8x25 UNI 5739 - OPTIONAL	4
142	36.3181.51	Corpo dosatore	1
143	94.7383.00	Molla Ø 9.75x10	94
144	90.3580.00	OR Ø 8.73x1.78 (108)	94
145	36.2564.70	Otturatore per dosatore	1
146	36.2565.51	Pomolo regolazione detergente	2
147	90.3570.00	OR Ø 4.48x1.78 (2018)	94
148	36.2566.70	Innesto porta gomma	3
149	90.2617.00	Anello ten. alt. Ø 15x25x5.8 LP	3
	90.2684.00	Anello ten. alt. Ø 18x30x6.8 LP	3
			127-131
155	93.5745.00	Basetta	1
156	96.6910.00	Rosetta Ø 5.3x9x0.6	2
157	99.1537.00	Vite M5x12 UNI 5931	2
158	43.2111.51	Copri basetta - vers. senza interrutt.	1

POS	COD.	DESCRIZIONE - DESCRIPTION - KIT	NR
106	36.2569.51	Portagomma aspirazione - OPTIONAL	1
107	92.9828.00	Ghiera G 3/4" - OPTIONAL	1
108	36.2025.51	Guida valvola	123
109	94.7376.00	Molla Ø 9.4x14.8	123
110	36.2001.76	Valvola	123
111	36.2003.66	Sede valvola	123
112	98.1966.00	Tappo G 1/8"x8	1
113	99.3175.00	Vite M8x60 UNI 5931	8
114	96.7014.00	Rosetta Ø 8.4x13x0.8	12
115	44.1201.41	Testata pompa - M10-130 M951	1
	44.1205.41	Testata pompa - M12-100 M954 M957	1
116	96.7514.00	Rosetta Ø 21.5x27x1.5	1
117	98.2176.00	Tappo G 1/2"x10	1
118	90.1614.00	Anello rad. Ø 20x30x5	23
119	96.7380.00	Rosetta Ø 17.5x23x1.5	1
120	98.2100.00	Tappo G 3/8"x13	1
121	51.1000.51	Anello di testa Ø 15	90-130
	44.1001.51	Anello di testa Ø 18	129-131
122	90.2620.00	Anello ten. alt. Ø15x25x5/3.1 HP	88-130
	90.2682.00	Anello ten. alt. Ø 18x30x6/3.5 HP	127-131
123	90.2622.00	Anello RESTOP Ø 15x25x5/3.1	88-130
	90.2683.00	Anello RESTOP Ø 18x30x6/3.5	127-131
124	52.2166.70	Anello intermedio Ø 15	89-130
	44.2161.70	Anello intermedio Ø 18	128-131
125	44.0800.70	Anello di fondo Ø 15	125-130
	44.0801.70	Anello di fondo Ø 18	126-131
126	90.3612.00	OR Ø 31.47x1.78	125-126-130-131
127	42.2115.86	Cavo per interruttore	1
128	43.2118.51	Piastra di fissaggio	1
129	42.2121.51	Cappellotto per condensatore	2
130	93.5648.00	Condensatore 40 µF	2
134	10.7332.01	Cavo collegamento condensatore	2

POS	COD.	DESCRIZIONE - DESCRIPTION - KIT	NR
65	10.7269.01	Cavo 5.8 m.	1
67	93.5182.00	Interruttore magnetotermico - 220-240 V	1
68	43.2120.51	Mascherina interruttore	1
69	43.2119.47	Membrana interruttore	1
70	43.2113.51	Copri basetta	1
71	99.1720.00	Vite M5x70 UNI 5931	4
72	99.0744.00	Vite Ø 3x16 autofilettante	4
73	99.1540.00	Vite M5x12 UNI 7688	2
74	99.1515.00	Vite M5x12 UNI 7687	1
75	96.6913.00	Rosetta Ø 5.3x9x0.6	1
76	91.8372.00	Cuscinetto a sfere 6206	1
77	90.0850.00	Anello seeger Ø 62 UNI 7437	1
79	42.0300.51	Ventola	1
80	43.04.0051	Copri ventola	1
81	90.0655.00	Anello seeger Ø 28 UNI 7435	1
82	99.1658.00	Vite M5x45 UNI 7687	4
83	90.3863.00	OR Ø 28.25x2.62 (3112)	1
85	99.1867.00	Vite M6x18 UNI 5931	4
86	96.6938.00	Rosetta Ø 6.4x10x0.7	8
87	99.1897.00	Vite M6x25 UNI 5931	4
88	10.0076.66	Ugello - Nozzle Ø 2.2 (12÷17 l/min.)	1
89	90.3832.00	OR Ø 13.95x2.62 (3056)	94
90	10.0078.70	Nipplo G 3/8" con Ø 3 - STANDARD	1
	10.0147.70	Nipplo M22x1.5 con Ø 3	1
91	90.3582.00	OR Ø 9.25x1.78 (2037)	94
92	94.8217.00	Molla conica Ø 4.3/7.3x11	94
93	97.4782.00	Sfera Ø 7/32"	94
95	36.2563.70	Sede valvola	1
102	90.3841.00	OR Ø 17.13x2.62 (3068)	123
103	36.3182.51	Nipplo aspirazione G 3/4"	1
104	92.8925.00	Filtro 12x35	1
105	90.3828.00	OR Ø 12.37x2.62 (3050)	1

**VERSIONE CON TOTALSTOP – TOTALSTOP VERSION  
VERSION AVEC LE TOTALSTOP – VERSION MIT TOTALSTOP  
VERSIÓN CON EL TOTALSTOP – VERSÃO COM TOTALSTOP**



**DIS. COD. 44.9527.00**

POS	COD.	DESCRIZIONE – DESCRIPTION - KIT	NR
160	44.1210.41	Testata pompa Ø 15	1
	44.1211.41	Testata pompa Ø 18	1
161	94.7341.00	Molla Ø 7.5x37.5	1
163	90.5052.00	Anello antiest. Ø 9.13x14x1.5	1
164	90.3819.00	OR Ø 9.13x2.62 (109)	1
165	10.0799.70	Pistoncino di comando	1
168	99.1450.00	Vite Ø 4.2x16 autofilettante	5
169	93.6342.00	Mini contattore 230V	1
170	10.7367.02	Cablaggio mini interruttore	1
171	93.5190.00	Interruttore termico bipolare 230V	1
172	43.2121.51	Piastra fissaggio interruttore	1
173	93.6430.00	Scheda termica temporizzata 230V	1
174	43.2123.51	Mascherina interruttore	1
175	43.2122.47	Membrana interruttore	1

POS	COD.	DESCRIZIONE – DESCRIPTION - KIT	NR
176	43.2114.51	Copri basetta	1
177	90.2532.00	Anello di tenuta Ø 6.32x12.7x3.96	1
178	96.7035.00	Rosetta Ø 8.4x17x1.6	1
179	94.7412.00	Molla Ø 13x30	1
180	43.2126.51	Pistoncino di comando	1
181	10.0800.70	Guida pistone Totalstop	1
182	90.5020.00	Anello antiest. Ø 5.2x8x1.5	1
183	90.3570.00	OR Ø 4.48x1.78 (2018)	1
184	90.3591.00	OR Ø 14x1.78 (2056)	1
185	43.3205.02	Statore comp. 3 CV – Mon. – 230V	1
	43.3206.02	Statore comp. 3 CV – Mon. – 230V 60 HZ	1
	43.3207.02	Statore comp. 3 CV – Mon. – 240V 60 HZ	1
186	10.7365.01	Cablaggio interruttore	1
187	10.7370.01	Cavo 5.8 m.	1



**KIT RICAMBI – SPARE KITS**

KIT Nr.	KIT 23	KIT 94	KIT 123	KIT 124	PISTONE – PISTON Ø 15						PISTONE – PISTON Ø 18					
					KIT 88	KIT 89	KIT 90	KIT 125	KIT 130	KIT 126	KIT 127	KIT 128	KIT 129	KIT 131		
Posizioni incluse Positions included	118	10 - 17 - 31 89 - 91 - 92 93 - 143 - 144 147	102 - 108 109 - 110 111 (27)	25 - 28	122 - 123 149	124	121	125 - 126	121 - 122 123 - 124 125 - 126 149	125 - 126	123 - 122 149	124	121	121 - 122 123 - 124 125 - 126 149		
Nr. Pcs.	3	1	6	6	3	3	6	3	1	3	3	3	6	1		



**M12-140 M13-180**  
**M14-120 M15-150**  
**M17-130**  
**M960 M961**

PISTONE – PISTON Ø15	
M13-180 M15-150 M17-130 M961	
PISTONE – PISTON Ø18	
M12-140 M14-120 M960	

POS	COD.	DESCRIZIONE – DESCRIPTION - KIT	NR
1	44.0100.22	Carter pompa	1
2	91.8328.00	Cuscinetto a sfere 6305	2
3	90.4097.00	OR 6 55.56x3.53 (159)	1
4	44.2118.01	Distanziale con indicatore	1
5	99.1807.00	Vite M6x10 UNI 5739	4
6	50.1500.74	Coperchio laterale carter	1
7	92.2216.00	Dado M8x13X5 - inox	3
8	44.2115.70	Rosetta Ø 8 con collare	3
9	52.0400.09 44.0401.09	Pistone Ø 15x37.5 Pistone Ø 18x37.5	3 3
10	90.3572.00	OR Ø 5,28x1.78 (2021)	94
11	90.5022.00	Anello antiest. Ø 6,2x9x1.5	3
12	96.7350.66	Rosetta Ø 16x28x1	3
13	44.0500.66	Guida pistone	3
14	97.7340.00	Spinotto Ø 10x29.5	3
15	44.0300.22	Biella	3
16	98.2041.00	Tappo G 1/4"x9	1

POS	COD.	DESCRIZIONE – DESCRIPTION - KIT	NR
17	90.3585.00	OR Ø 10.82x1.78 (2043)	94
18	99.1837.00	Vite M6x14 UNI 5931	5
19	44.1600.22	Coperchio posteriore carter	1
20	90.3920.00	OR Ø 101.27x2.62 (3400)	2
21	91.4892.00	Linguetta 8x7x35 UNI 6604	1
22	44.0200.35 44.0203.35 44.0206.35	Albero ecc. - M13-180 M961 Albero ecc. - M12-140 M15-150 M950 Albero ecc. - M14-120 M17-130	1 1 1
23	98.2103.00	Tappo carico olio G 3/8"	1
24	90.1641.00	Anello rad. Ø 25x62x10	1
25	98.2226.00	Tappo M24x1.5x17	124
26	94.5824.00	Manometro	1
27	36.7115.01	Gruppo valvola aspiraz./mandata 123	6
28	90.3847.00	OR Ø 20.24x2.62 (3081)	124
29	98.2227.00	Tappo M24x1.5 per manometro	1
30	90.5065.00	Anello antiest. Ø 10.6x15x2	137
31	90.3822.00	OR Ø 9,92x2.62 (112)	94-137
32	36.3164.66	Sede valvola	137
33	99.1509.00	Vite M5x7.5 – INOX	137
34	36.3190.66	Valvola sferica	137
35	90.3575.00	OR Ø 6,72x1.78 (106)	137
36	90.5144.00	Anello antiest. Ø 22x25x1.5	137
37	90.3500.00	OR Ø 21.92x1.78 (2087)	137
38	36.3229.70	Guida valvola	137
39	36.3231.51	Valvola	137
40	94.7485.00	Molla Ø 18.5x11.5	137

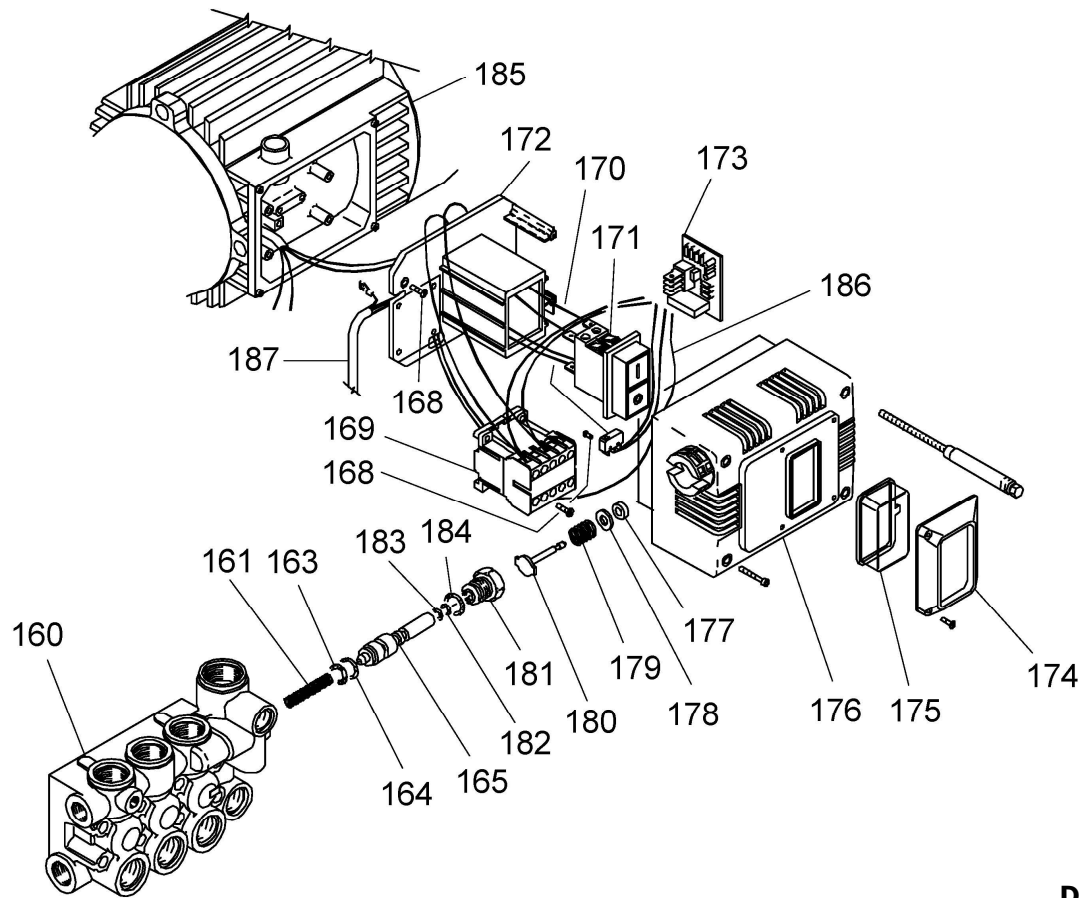
POS	COD.	DESCRIZIONE – DESCRIPTION - KIT	NR
41	36.3230.70	Distanziale	137
42	90.5025.00	Anello antiest. Ø 7x10x1.5	137
43	36.3234.70	Pistoncino di comando	137
44	90.3820.00	OR Ø 9.13x2.62 (109)	137
45	90.5052.00	Anello antiest. Ø 9.6x14x1.5	137
46	90.3857.00	OR Ø 23.81x2.62 (132)	1
47	36.3228.70	Boccola di guida	1
48	36.3233.70	Piattello inferiore molla	1
49	94.7345.00	Molla Ø 7.6x29	1
50	94.7436.00	Molla Ø 15x35	1
51	36.3169.70	Piattello molla	1
52	36.3185.70	Registro pressione	1
53	90.3598.00	OR Ø 20.35x1.78 (2081)	1
54	99.3054.00	Vite M8x20 UNI 5923	1
55	92.2218.00	Dado M8x5x13 UNI 5589	1
56	92.2935.00	Dado M28x1.5	1
57	36.3186.70	Ghiera per registro pressione	1
58	36.3187.51	Pomolo regolazione valvola	1
59	10.0501.22	Flangia	1
60	43.3430.02 43.3460.02	Rotore comp. 4 CV – Trif. – 220-380 V Rotore comp. 5.5 CV – Trif. – 220-415 V	1 1
61	43.3231.02 43.3261.02 43.3265.02 43.3268.02	Statore comp. 4 CV – Trif. – 220-380 V Statore comp. 5.5 CV – Trif. – 230-380 V Statore comp. 5.5 CV – Trif. – 240-415 V Statore comp. 5.5 CV – Trif. – 220-380 V	1 1 1 1
62	90.4028.00	OR Ø 9.12x3.53 (4036)	1

POS	COD.	DESCRIZIONE - DESCRIPTION - KIT	NR
128	43.2118.51	Piastra di fissaggio	1
140	42.2000.74	Piedino motore - OPTIONAL	1
141	99.3067.00	Vite M8x25 UNI 5739 - OPTIONAL	4
142	36.3181.51	Corpo dosatore	1
143	94.7383.00	Molla Ø 9.75x10	94
144	90.3580.00	OR Ø 8.73x1.78 (108)	94
145	36.2564.70	Otturatore per dosatore	1
146	36.2565.51	Pomolo regolazione detersivo	2
147	90.3570.00	OR Ø 4.48x1.78 (2018)	94
148	36.2566.70	Innesto porta gomma	3
149	90.2617.00	Anello ten. alt. Ø 15x25x5.8 LP	3
	90.2684.00	Anello ten. alt. Ø 18x30x6.8 LP	3
155	93.5745.00	Basetta	1
156	96.6910.00	Rosetta Ø 5.3x9x0.6	2
157	99.1537.00	Vite M5x12 UNI 5931	2
158	43.2111.51	Copri basetta - vers. senza interrutt.	1

POS	COD.	DESCRIZIONE - DESCRIPTION - KIT	NR
95	36.2563.70	Sede valvola	1
102	90.3841.00	OR Ø 17.13x2.62 (3068)	7
103	36.3182.51	Nipplo aspirazione G 3/4"	1
104	92.8925.00	Filtro 12x35	1
105	90.3828.00	OR Ø 12.37x2.62 (3050)	1
106	36.2569.51	Porta gomma aspirazione - OPTIONAL	1
107	92.9828.00	Ghiera G 3/4" - OPTIONAL	1
108	36.2025.51	Guida valvola	123
109	94.7376.00	Molla Ø 9.4x14.8	123
110	36.2001.76	Valvola	123
111	36.2003.66	Sede valvola	123
112	98.1966.00	Tappo G 1/8"x8	1
113	99.3175.00	Vite M8x60 UNI 5931	8
114	96.7014.00	Rosetta Ø 8.4x13x0.8	12
115	44.1201.41	Testata pompa - M10-130 M951	1
	44.1205.41	Testata pompa - M12-100 M954 M957	1
116	96.7514.00	Rosetta Ø 21.5x27x1.5	1
117	98.2176.00	Tappo G 1/2"x10	1
118	90.1614.00	Anello rad. Ø 20x30x5	23
119	96.7380.00	Rosetta Ø 17.5x23x1.5	1
120	98.2100.00	Tappo G 3/8"x13	1
121	51.1000.51	Anello di testa Ø 15	90-130
	44.1001.51	Anello di testa Ø 18	129-131
122	90.2620.00	Anello ten. alt. Ø15x25x5/3.1 HP	88-130
	90.2682.00	Anello ten. alt. Ø 18x30x6/3.5 HP	127-131
123	90.2622.00	Anello RESTOP Ø 15x25x5/3.1	88-130
	90.2683.00	Anello RESTOP Ø 18x30x6/3.5	127-131
124	52.2166.70	Anello intermedio Ø 15	89-130
	44.2161.70	Anello intermedio Ø 18	128-131
125	44.0800.70	Anello di fondo Ø 15	125-130
	44.0801.70	Anello di fondo Ø 18	126-131
126	90.3612.00	OR Ø 31.47x1.78	125-126-130-131

POS	COD.	DESCRIZIONE - DESCRIPTION - KIT	NR
63	43.2128.51	Pinza pressa cavo	2
64	43.2127.51	Pressa cavo	2
65	10.7273.01	Cavo 5.8 m.	1
66	93.5790.00	Morsetto - 380 V	1
67	93.5179.00	Interruttore magnetotermico - 380-415 V	1
	93.5182.00	Interruttore magnetotermico - 220-240 V	1
68	43.2120.51	Mascherina interruttore	1
69	43.2119.47	Membrana interruttore	1
70	43.2113.51	Copri basetta	1
71	99.1720.00	Vite M5x70 UNI 5931	4
72	99.0744.00	Vite Ø 3x16 autofilettante	4
73	99.1540.00	Vite M5x12 UNI 7688	2
74	99.1515.00	Vite M5x12 UNI 7687	1
75	96.6913.00	Rosetta Ø 5.3x9x0.6	1
76	91.8372.00	Cuscinetto a sfere 6206	1
77	90.0850.00	Anello seeger Ø 62 UNI 7437	1
79	42.0300.51	Ventola	1
80	43.0400.51	Copri ventola	1
81	90.0655.00	Anello seeger Ø 28 UNI 7435	1
82	99.1658.00	Vite M5x45 UNI 7687	4
83	90.3863.00	OR Ø 28.25x2.62 (3112)	1
84	98.2173.00	Tappo G 1/2"x10	1
85	99.1867.00	Vite M6x18 UNI 5931	4
86	96.6938.00	Rosetta Ø 6.4x10x0.7	8
87	99.1897.00	Vite M6x25 UNI 5931	4
88	10.0076.66	Ugello - Nozzle Ø 2.2 (12÷17 l/min.)	1
89	90.3832.00	OR Ø 13.95x2.62 (3056)	94
90	10.0078.70	Nipplo G 3/8" con Ø 3 - STANDARD	1
	10.0147.70	Nipplo M22x1.5 con Ø 3	1
91	90.3582.00	OR Ø 9.25x1.78 (2037)	94
92	94.8217.00	Molla conica Ø 4.3/7.3x11	94
93	97.4782.00	Sfera Ø 7/32"	94

**VERSIONE CON TOTALSTOP – TOTALSTOP VERSION  
VERSION AVEC LE TOTALSTOP – VERSION MIT TOTALSTOP  
VERSIÓN CON EL TOTALSTOP – VERSÃO COM TOTALSTOP**

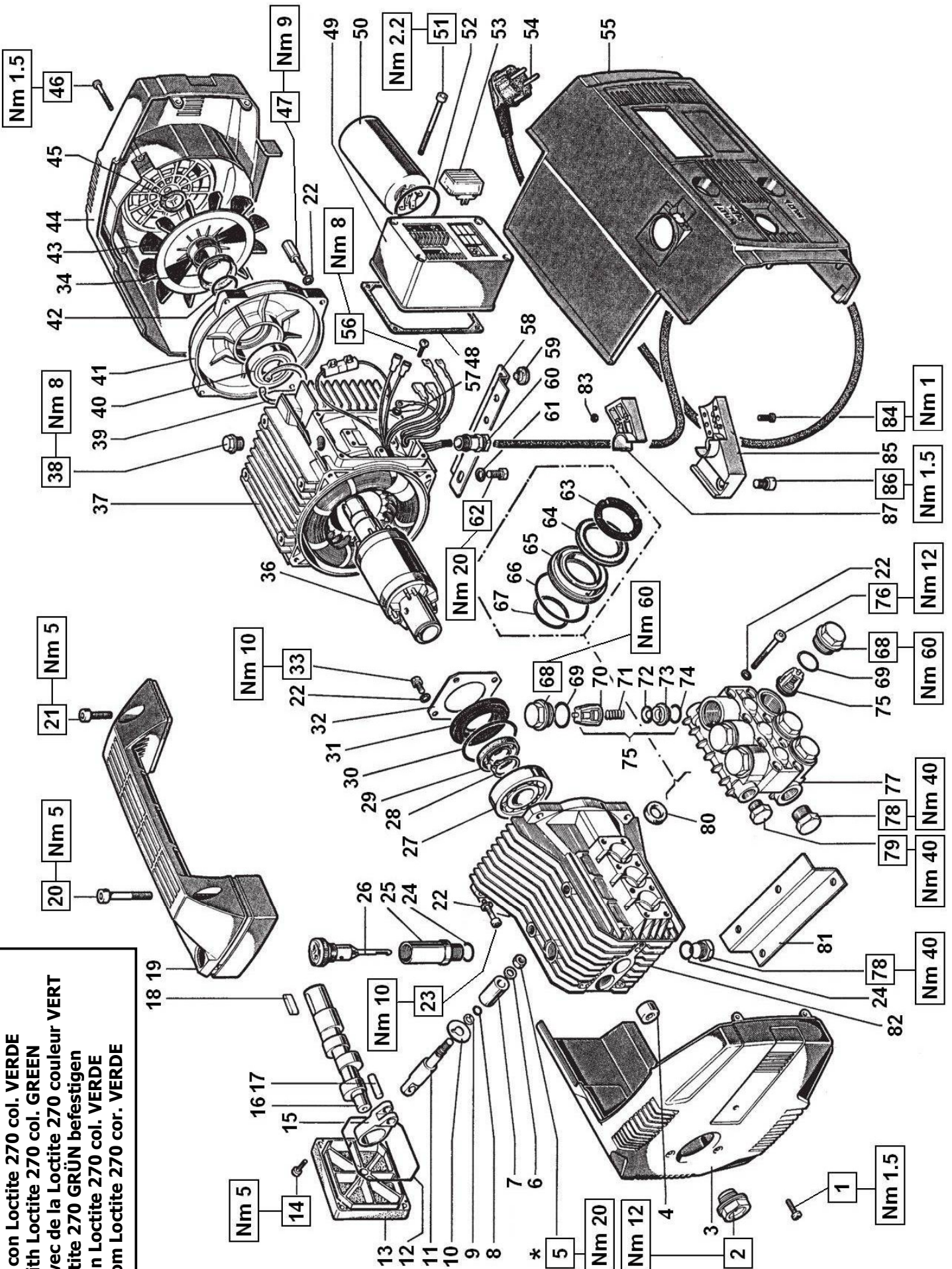


**DIS. COD. 44.9528.00**

POS	COD.	DESCRIZIONE – DESCRIPTION - KIT	NR
160	44.1210.41	Testata pompa Ø 15	1
	44.1211.41	Testata pompa Ø 18	1
161	94.7341.00	Molla Ø 7.5x37.5	1
163	90.5052.00	Anello antiest. Ø 9.13x14x1.5	1
164	90.3819.00	OR Ø 9.13x2.62 (109)	1
165	10.0799.70	Pistoncino di comando	1
168	99.1450.00	Vite Ø 4.2x16 autofilettante	5
	93.6340.00	Mini contattore 400-415 V	1
169	93.6342.00	Mini contattore 230-240 V	1
	10.7366.02	Cablaggio mini interruttore	1
171	93.5189.00	Interruttore termico bipolare 400-415 V	1
	93.5191.00	Interruttore termico bipolare 230-240 V	1
172	43.2121.51	Piastra fissaggio interruttore	1
173	93.6415.00	Scheda termica temporizz. 400-145 V	1
	93.6430.00	Scheda termica temporizz. 230-240 V	1
174	43.2123.51	Mascherina interruttore	1
175	43.2122.47	Membrana interruttore	1



POS	COD.	DESCRIZIONE – DESCRIPTION - KIT	NR
176	43.2114.51	Copri basetta	1
177	90.2532.00	Anello di tenuta Ø 6.32x12.7x3.96	1
178	96.7035.00	Rosetta Ø 8.4x17x1.6	1
179	94.7412.00	Molla Ø 13x30	1
180	43.2126.51	Pistoncino di comando	1
181	10.0800.70	Guida pistone Totalstop	1
182	90.5020.00	Anello antiest. Ø 5.2x8x1.5	1
183	90.3570.00	OR Ø 4.48x1.78 (2018)	1
184	90.3591.00	OR Ø 14x1.78 (2056)	1
185	43.3232.02	Statore comp. 4 CV – Tri. - 400V 50 HZ	1
	43.3233.02	Statore comp. 4 CV – Tri. - 230V 50 HZ	1
	43.3269.02	Statore comp. 5.5 CV – Tri. - 230V 60 HZ	1
	43.3270.02	Statore comp. 5.5 CV – Tri. - 400V 60 HZ	1
	43.3250.02	Statore comp. 5 CV – Tri. - 230V 60 HZ	1
	43.3262.02	Statore comp. 5.5 CV – Tri. - 400V 50 HZ	1
	43.3263.02	Statore comp. 5.5 CV – Tri. - 230V 50 HZ	1
186	10.7364.01	Cablaggio interruttore	1
187	10.7368.01	Cavo 5.8 m.	1

- \* Fissare con Loctite 270 col. VERDE
- \* Affix with Loctite 270 col. GREEN
- \* Fixer avec de la Loctite 270 couleur VERT
- \* Mit Loctite 270 GRÜN befestigen
- \* Fijar con Loctite 270 col. VERDE
- \* Fixar com Loctite 270 cor. VERDE





**KIT RICAMBI – SPARE KITS**

# BOXJET

## 8/70 – 11/50 – 8/90

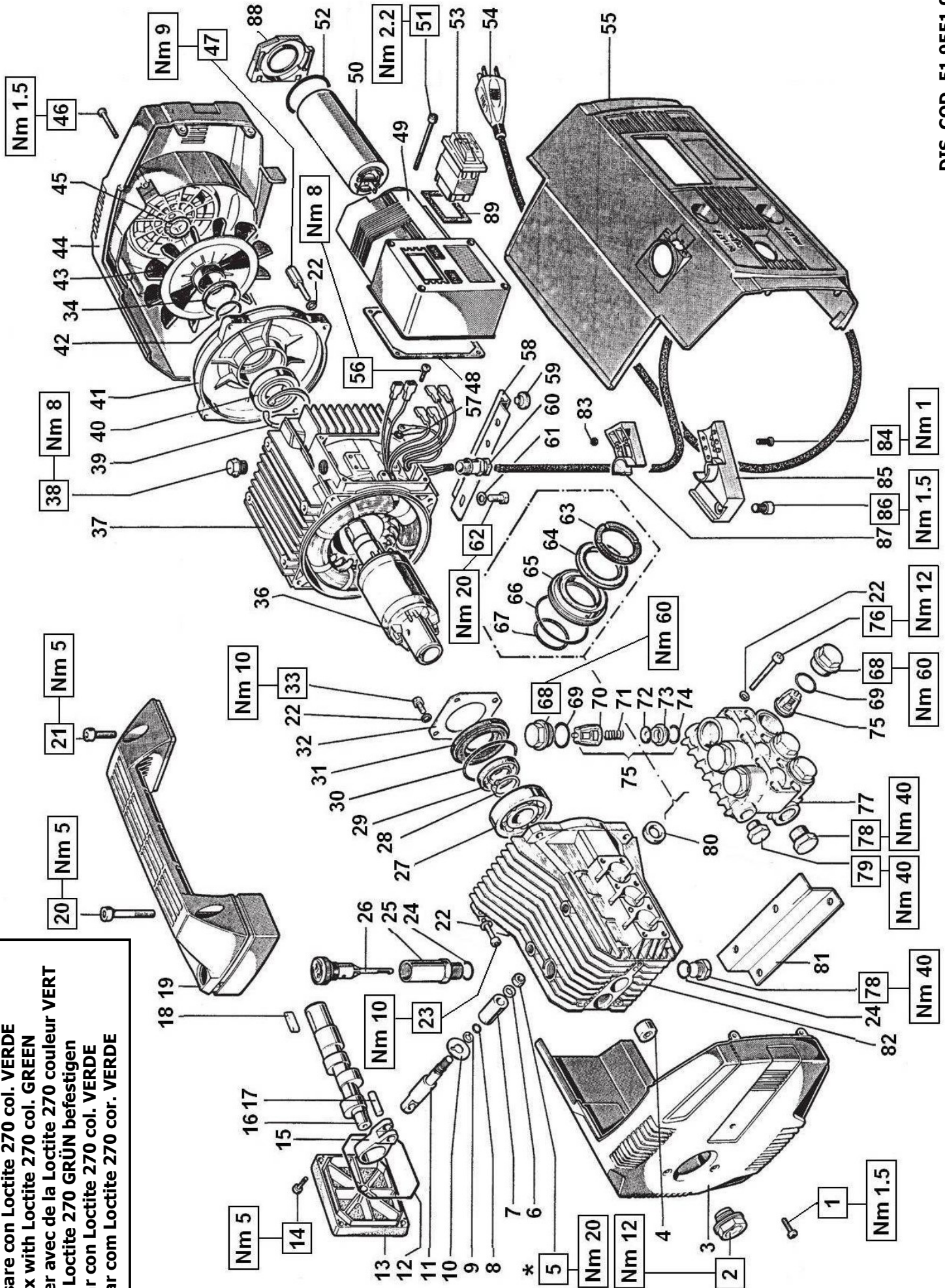
KIT Nr.	KIT 1	KIT 83	KIT 84	KIT 85	KIT 86	KIT 87
Posizioni incluse Positions included	70 – 71 72 – 73 74 (75)	80	68 – 69	63 – 64 65 – 66 67	65 – 66 67	63 – 64 66 – 67
Nr. Pcs.	6	3	6	1	3	3

POS	COD.	DESCRIZIONE – DESCRIPTION - KIT	NR
73	36.2003.66	Sede valvola	1
74	90.3841.00	OR Ø 17.13x2.62 (3068)	1
75	36.7032.01	Gruppo valvola aspirazione/mandata	1
76	99.1943.00	Vite M6x40 UNI 5931	8
77	51.1200.22 51.1200.41 51.1202.22	Testata Ø 15 - NICKEL Testata Ø 15 – 8/70-11/50 Testata Ø 15 – 8/90	1 1 1
78	98.2100.00	Tappo G 3/8"x13	2
79	98.2041.00	Tappo G 1/4"x9	1
80	90.1565.00	Anello rad. Ø 15x24x5	3
81	51.2002.74	Piedino pompa	1
82	51.0103.22	Carter pompa	1
83	92.1926.00	Dado M4 UNI 5588	2
84	99.1306.00	Vite M4x16 UNI 7687	2
85	41.2118.51	Staffa	1
86	99.3039.00	Vite M8x16 UNI 5931	1
87	47.2119.51	Morsetto	1

POS	COD.	DESCRIZIONE – DESCRIPTION - KIT	NR
37	41.3280.02 41.3282.02	Stat. comp.1.5 CV 220V - Mono. 50Hz Stat. comp.1.5 CV 240V - Mono. 50Hz	1 1
38	98.2093.00	Tappo G 3/8"	1
39	90.0795.00	Anello seeger Ø 52 UNI 7437	1
40	91.8323.00	Cuscinetto a sfere 6205	1
41	41.0700.22	Scudo posteriore	1
42	90.3857.00	OR Ø 23.81x2.62 (132)	1
43	41.0300.51	Ventola	1
44	51.2300.51	Protezione motore	1
45	90.0628.00	Anello seeger Ø 24 UNI 7435	1
46	99.1658.00	Vite M5x45 UNI 7687	4
47	41.2104.65	Vite fissaggio scudo posteriore	4
48	41.2101.47	Guarnizione copribasetta	1
49	41.2103.51	Coperibasetta	1
50	93.5648.00	Condensatore 40 µF	1
51	99.1705.00	Vite M5x65 UNI 5931	4
52	90.3889.00	OR Ø 48.89x2.62 (3193)	1
53	93.5042.00	Interruttore 16A	1
54	10.7184.01	Cavo con spina	1
55	51.2307.51	Protezione centrale	1
56	99.1515.00	Vite M5x12 UNI 7687	1
57	96.6913.00	Rosetta Ø 5.3x9x0.6	1
58	51.2003.74	Piedino motore	1
59	98.1924.00	Tappo per foro Ø 7	4
60	93.5210.00	Pressacavo G 3/8"x Ø 10	1
61	96.7014.00	Rosetta Ø 8.4x13x0.8	4
62	99.3037.00	Vite M8x16 UNI 5739	4
63	51.1000.51	Anello di testa Ø 15	85-87
64	90.2618.00	Anello ten. alt. Ø 15x25x5/3.1	85-87
65	51.0800.70	Anello di fondo Ø 15	85-86
66	90.3604.00	OR Ø 25.12x1.78 (2100)	85-86-87
67	90.3835.00	OR Ø 15.08x2.62 (119)	85-86-87
68	98.2218.00	Tappo M24x1.5	84
69	90.3847.00	OR Ø 20.24x2.62 (3081)	84
70	36.2002.51	Guida valvola	1
71	94.7376.00	Molla Ø 9.4x14.8	1
72	36.2001.76	Valvola	1

POS	COD.	DESCRIZIONE – DESCRIPTION - KIT	NR
1	99.1570.00	Vite M5x16 UNI 7687	3
2	97.5968.00	Spia livello olio G 3/4"	1
3	51.2301.51	Protezione pompa	1
4	91.8014.00	Boccola a rullini	1
5	92.2216.00	Dado M8x13x5	3
6	44.2115.70	Rosetta Ø 8 con collare	3
7	51.0400.09	Pistone Ø 15x25	3
8	90.3573.00	OR Ø 5.28x1.78 (2021)	3
9	90.5022.00	Anello antiest. Ø 6.2x9x1.5	3
10	96.7070.00	Rosetta Ø 9x23x0.5	3
11	51.0500.56	Guida pistone	3
12	90.3917.00	OR Ø 88.57x2.62 (3350)	1
13	51.1603.22	Coperchio posteriore carter	1
14	99.1897.00	Vite M6x25 UNI 5931	4
15	51.0300.22	Biella	3
16	51.0200.35 51.0201.35	Albero ecc. – 8/70-8/90 Albero ecc. – 11/50	1 1
17	97.7310.00	Spinotto Ø 8x24.5	3
18	91.4877.00	Linguetta 8x7x25 UNI 6604	1
19	51.2400.51	Manico	1
20	99.3144.00	Vite M8x50 UNI 5931	2
21	99.3069.00	Vite M8x25 UNI 5931	2
22	96.6938.00	Rosetta Ø 6.4x10x0.7	20
23	99.1867.00	Vite M6x18 UNI 5931	4
24	90.3833.00	OR Ø 13.95x2.62 (3056)	2
25	51.2100.51	Prolunga tappo carico olio	1
26	98.2097.00	Tappo carico olio G 3/8"	1
27	91.8328.00	Cuscinetto a sfere 6305	1
28	90.0635.00	Anello seeger Ø 25 UNI 7435	1
29	90.1634.00	Anello rad. Ø 25x42x7	1
30	90.4097.00	OR Ø 55.56x3.53 (159)	1
31	50.2115.51	Distanziale	1
32	50.1500.74	Coperchio laterale carter	1
33	99.1807.00	Vite M6x10 UNI 5739	4
34	90.1652.00	Anello V-SEAL	1
36	41.3403.02 41.3415.02	Rotore comp.1.5 CV – Mono. 50Hz Rotore comp.1.8 CV – Mono. 50Hz	1 1

\* Fissare con Loctite 270 col. VERDE  
 \* Affix with Loctite 270 col. GREEN  
 \* Fixer avec de la Loctite 270 couleur VERT  
 \* Mit Loctite 270 GRÜN befestigen  
 \* Fijar con Loctite 270 col. VERDE  
 \* Fixar com Loctite 270 cor. VERDE





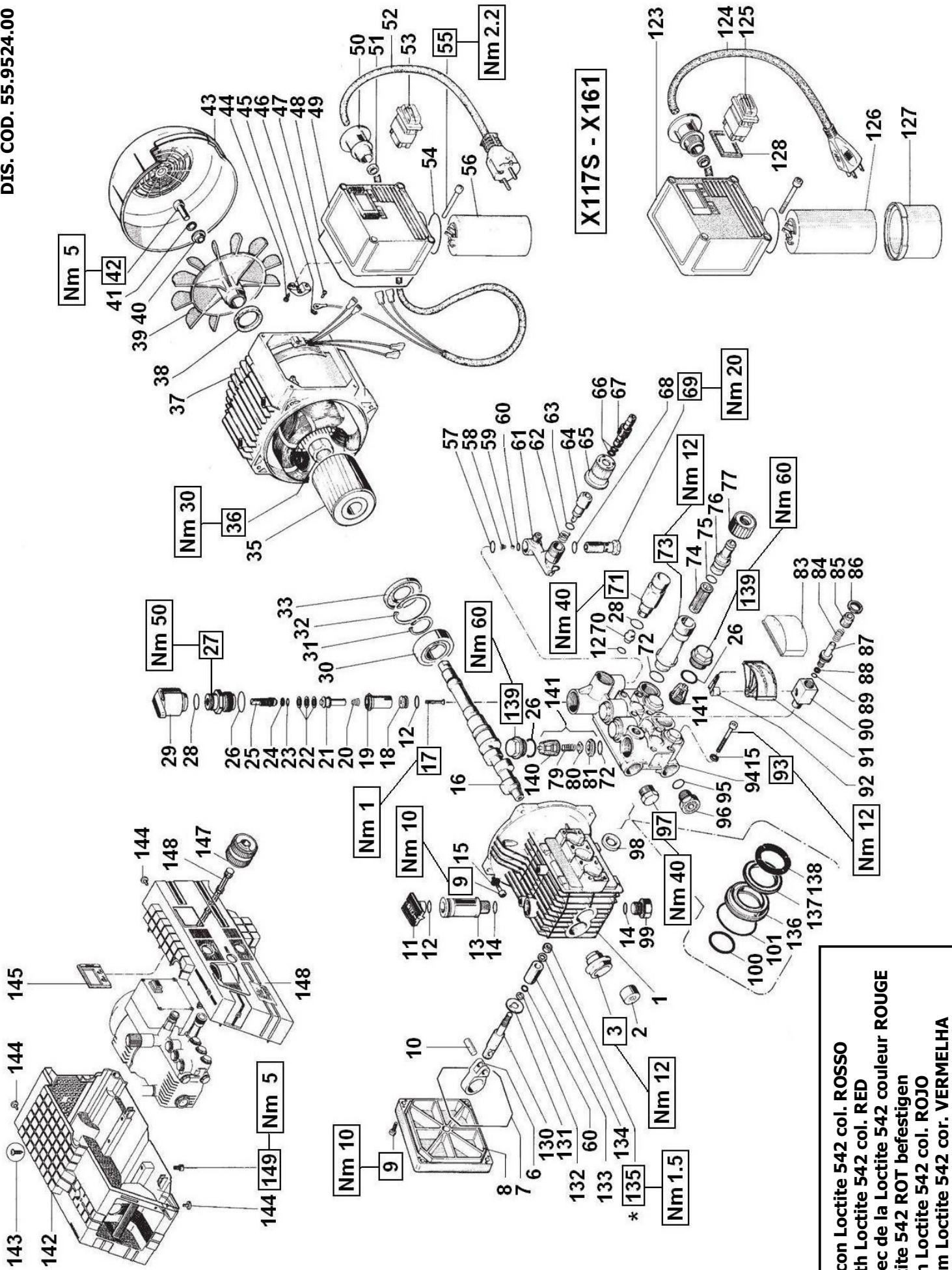
# BOXJET TURBO 15 – 19 – 21

## KIT RICAMBI – SPARE KITS

KIT Nr.	KIT 1	KIT 83	KIT 84	KIT 85	KIT 86	KIT 87
Posizioni include Positions included	70 – 71 72 – 73 74 (75)	80	68 – 69	63 – 64 65 – 66 67	65 – 66 67	63 – 64 66 – 67
Nr. Pcs.	6	3	6	1	3	3


POS	COD.	DESCRIZIONE – DESCRIPTION - KIT	NR
1	99.1570.00	Vite M5x16 UNI 7687	3
2	97.5968.00	Spia livello olio G 3/4"	1
3	51.2301.51	Protezione pompa	1
4	91.8014.00	Boccola a rullini	1
5	92.2216.00	Dado M8x13x5	3
6	44.2115.70	Rosetta Ø 8 con collare	3
7	51.0400.09	Pistone Ø 15x25	3
8	90.3573.00	OR Ø 5.28x1.78 (2021)	3
9	90.5022.00	Anello antiest. Ø 6.2x9x1.5	3
10	96.7070.00	Rosetta Ø 9x23x0.5	3
11	51.0500.56	Guida pistone	3
12	90.3917.00	OR Ø 88.57x2.62 (3350)	1
13	51.1603.22	Coperchio posteriore carter	1
14	99.1897.00	Vite M6x25 UNI 5931	4
15	51.0300.22	Biella	3
16	51.0200.35 51.0204.35	Albero ecc. – TURBO 15 Albero ecc. – TURBO 19 – 21	1 1
17	97.7310.00	Spinnotto Ø 8x24.5	3
18	91.4877.00	Linguetta 8x7x25 UNI 6604	1
19	51.2400.51	Manico	1
20	99.3144.00	Vite M8x50 UNI 5931	2
21	99.3069.00	Vite M8x25 UNI 5931	2
22	96.6938.00	Rosetta Ø 6.4x10x0.7	20
23	99.1867.00	Vite M6x18 UNI 5931	4
24	90.3833.00	OR Ø 13.95x2.62 (3056)	2
25	51.2100.51	Prolunga tappo carico olio	1
26	98.2097.00	Tappo carico olio G 3/8"	1
27	91.8328.00	Cuscinetto a sfere 6305	1
28	90.0635.00	Anello seeger Ø 25 UNI 7435	1
29	90.1634.00	Anello rad. Ø 25x42x7	1
30	90.4097.00	OR Ø 55.56x3.53 (159)	1
31	50.2115.51	Distanziale	1
32	50.1500.74	Coperchio laterale carter	1
33	99.1807.00	Vite M6x10 UNI 5739	4
34	90.1652.00	Anello V-SEAL	1
36	41.3403.02 41.3407.02	Rotore comp. 1.5CV – Mono. 50Hz Rotore comp. 1.5CV – Mono. 60Hz	1 1

POS	COD.	DESCRIZIONE – DESCRIPTION - KIT	NR
37	41.3287.02 41.3288.02 41.3286.02	Stat. comp. 1.5CV 100V - Mono. 50Hz Stat. comp. 1.5CV 100V - Mono. 60Hz Stat. comp. 1.5CV 115V - Mono. 60Hz	1 1 1
38	98.2093.00	Tappo G 3/8"	1
39	90.0795.00	Anello seeger Ø 52 UNI 7437	1
40	91.8323.00	Cuscinetto a sfere 6205	1
41	41.0700.22	Scudo posteriore	1
42	90.3857.00	OR Ø 23.81x2.62 (132)	1
43	41.0300.51	Ventola	1
44	51.2300.51	Protezione motore	1
45	90.0628.00	Anello seeger Ø 24 UNI 7435	1
46	99.1658.00	Vite M5x45 UNI 7687	4
47	41.2104.65	Vite fissaggio scudo posteriore	4
48	41.2101.47	Guarnizione copribasetta	1
49	41.2124.51	Copribasetta	1
50	93.5688.00	Condensatore 80 µF	1
51	99.1705.00	Vite M5x65 UNI 5931	4
52	90.3885.00	OR Ø 45.69x2.62 (3181)	1
53	93.5031.00	Interruttore 10A	1
54	10.6051.01	Cavo con spina	1
55	51.2307.51	Protezione centrale	1
56	99.1515.00	Vite M5x12 UNI 7687	1
57	96.6913.00	Rosetta Ø 5.3x9x0.6	1
58	51.2003.74	Piedino motore	1
59	98.1924.00	Tappo per foro Ø 7	4
60	93.5210.00	Pressacavo G 3/8" x Ø 10	1
61	96.7014.00	Rosetta Ø 8.4x13x0.8	4
62	99.3037.00	Vite M8x16 UNI 5739	4
63	51.1000.51	Anello di testa Ø 15	85-87
64	90.2618.00	Anello ten. alt. Ø 15x25x5/3.1	85-87
65	51.0800.70	Anello di fondo Ø 15	85-86
66	90.3604.00	OR Ø 25.12x1.78 (2100)	85-86-87
67	90.3835.00	OR Ø 15.08x2.62 (119)	85-86-87
68	98.2218.00	Tappo M24x1.5	84
69	90.3847.00	OR Ø 20.24x2.62 (3081)	84
70	36.2002.51	Guida valvola	1
71	94.7376.00	Molla Ø 9.4x14.8	1
72	36.2001.76	Valvola	1



X117S - X161

\* Fissare con Loctite 542 col. ROSSO  
 \* Affix with Loctite 542 col. RED  
 \* Fixer avec de la Loctite 542 couleur ROUGE  
 \* Mit Loctite 542 ROT befestigen  
 \* Fijar con Loctite 542 col. ROJO  
 \* Fixar com Loctite 542 cor. VERMELHA



**BIG BANG**  
**X230 - F122 - X220S - X117S**  
**F124 - X240S - X161**

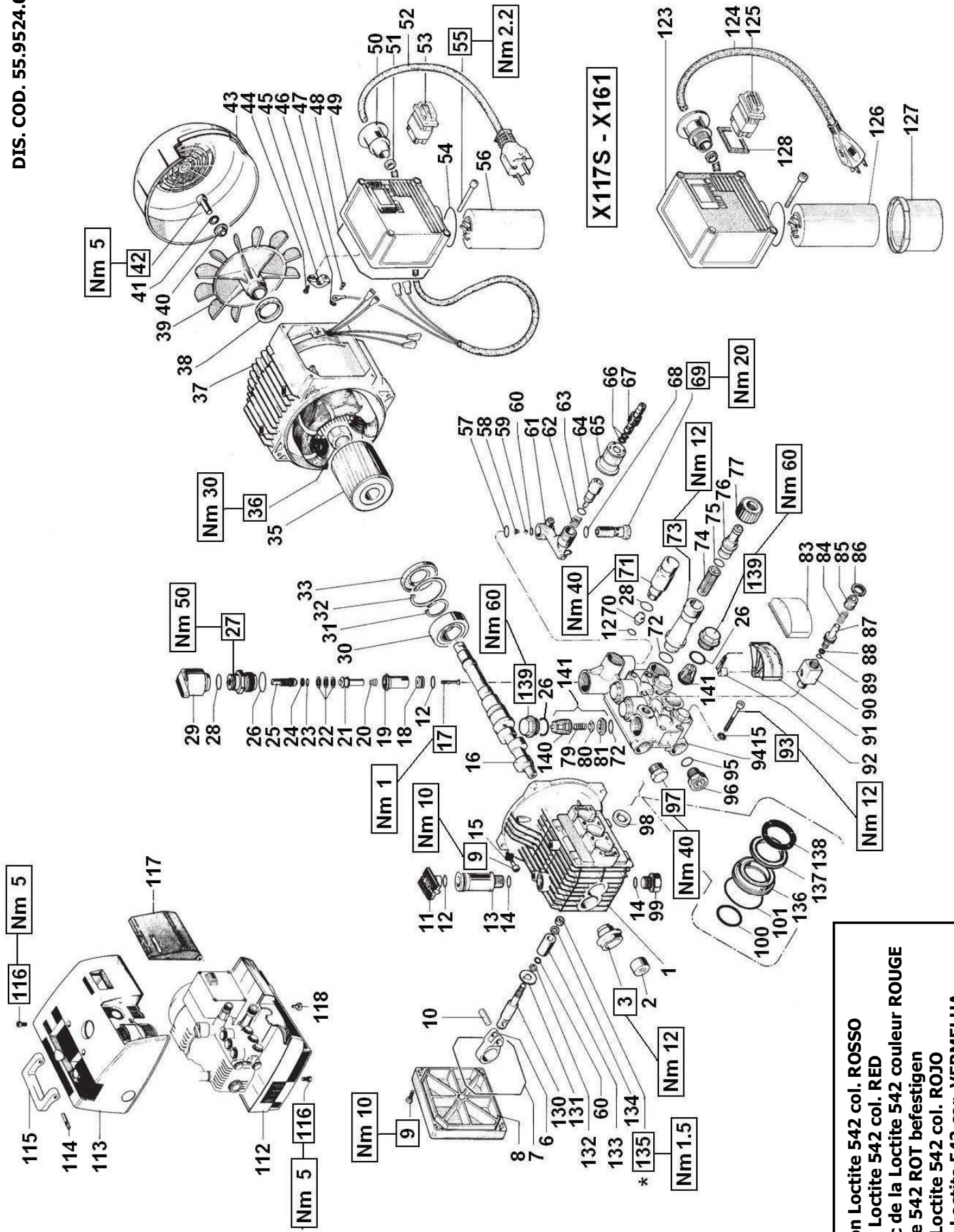
**KIT RICAMBI - SPARE KITS**

KIT Nr.	KIT 1	KIT 83	KIT 84	KIT 85	KIT 86	KIT 87	KIT 94	KIT 120
Posizioni include Positions included	72 - 79 80 - 81 140 (141)	98	26 - 139	100 - 101 136 - 137 138	100 - 101 136	100 - 101 137 - 138	12 - 28 - 57 58 - 59 - 60 62 - 63 - 66 68	12 - 17 18 - 19 20 - 21 22
Nr. Pcs.	6	3	6	1	3	3	1	1

POS	COD.	DESCRIZIONE - DESCRIPTION - KIT	NR
80	36.2001.76	Valvola	1
81	36.2003.66	Sede valvola	1
83	10.0415.51	Coperchio manometro	1
84	94.7338.00	Molla Ø 7.2x18	1
85	36.2580.70	Vite di regolazione	1
86	92.2492.00	Dado M14x1x17x3	1
87	36.2589.70	Pistoncino	1
88	90.5004.00	Anello antiest. Ø 3.2x6x1.5	1
89	90.3567.00	OR Ø 2.90x1.78 (2012)	1
90	10.0438.70	Corpo manometro	1
91	10.0439.01	Gruppo quadrante	1
92	10.0419.01	Gruppo indicatore	1
93	99.1943.00	Vite M6x40 UNI 5931	8
94	55.1201.22	Testata pompa	1
95	90.3591.00	OR Ø 14x1.78 (2056)	1
96	98.2090.00	Tappo G 3/8"x13	1
97	98.2100.00	Tappo G 3/8"x13	1
98	90.1565.00	Anello rad. Ø 15x24x5	83
99	98.2091.00	Tappo G 3/8"x13	1
100	90.3835.00	OR Ø 15.08x2.62 (119)	85-86-87
101	90.3604.00	OR Ø 25.12x1.78 (2100)	85-86-87
123	45.2124.51	Copribasetta autoest.	1
124	10.7187.01	Cavo 2.5 m. - USA	1
125	93.5028.00	Interruttore con protettore termico	1
126	93.5688.00	Condensatore 80 µF	1
127	45.2120.51	Cappello prot. Condensatore autoest.	1
128	41.2126.84	Guarnizione per interruttore	1
130	51.0500.56	Guida per pistone	3
131	96.7070.00	Rosetta Ø 9x23x0.5	3
132	90.5022.00	Anello antiest. Ø 6.2x9x1.5	3
133	51.0400.09	Pistone Ø 15x25	3
134	96.7008.00	Rosetta Ø 8x13x1	3
135	92.2216.00	Dado M8x13x15	3
136	51.0800.70	Anello di fondo Ø 15	85-86
137	90.2618.00	Anello ten. alt. Ø 15x25x5/3.1	85-87
138	51.1000.51	Anello di testa Ø 15	85-87
139	98.2218.00	Tappo M24x1.5x11	84
140	36.2002.51	Guida valvola	1
141	36.7032.01	Gruppo valvola aspirazione/mandata	1
142	55.2308.01	Carenatura fissa completa di manico	1
143	99.1474.00	Vite Ø 4.8x13	1
144	98.1924.00	Tappo Ø 7	3
145	55.2353.51	Piastrina per interruttore	1
146	55.2410.51	Assale	1
147	55.2413.01	Ruota completa	2
148	55.2307.51	Carenatura mobile	1
149	99.3039.00	Vite M8x16 UNI 5931	4

POS	COD.	DESCRIZIONE - DESCRIPTION - KIT	NR
1	55.0100.22	Carter pompa	1
2	91.8014.00	Boccola a rullini	1
3	97.5968.00	Spia livello olio G 3/4"	1
6	51.0300.22	Biella	3
7	90.3917.00	OR Ø 88.57x2.62 (3350)	1
8	55.1600.51	Coperchio posteriore carter	1
9	99.1897.00	Vite M6x25 UNI 5931	8
10	97.7310.00	Spinotto Ø 8x24.5	3
11	55.2110.51	Tappo carico olio	1
12	90.3822.00	OR Ø 9.92x2.62 (112)	94-120
13	55.2098.51	Prolunga tappo carico olio	1
14	90.3833.00	OR Ø 13.95x2.62 (3056)	2
15	96.6938.00	Rosetta Ø 6.4x10x0.7	12
16	55.0205.35	Albero ecc. - F122 F124	1
	55.0200.35	Albero ecc. - X220S X240S	1
	55.0203.35	Albero ecc. - X117S X161 X230	1
17	36.3196.66	Valvola	120
18	36.3197.66	Sede valvola	120
19	36.3195.51	Distanziale p er valvola	120
20	94.8220.00	Molla conica Ø 5.15/8.35x10	120
21	36.3194.70	Pistoncino di comando	120
22	92.7705.00	Fascia elastica Ø 17	120
23	90.3577.00	OR Ø 7.66x1.78 (2031)	1
24	90.5033.00	Anello antiest. Ø 8x11x1.5	1
25	36.3192.70	Vite di regolazione valvola	1
26	90.3847.00	OR Ø 20.24x2.62 (3081)	84
27	36.3193.70	Boccola di guida	1
28	90.3832.00	OR Ø 13.95x2.62 (3037)	94
29	36.3191.51	Pomolo regolazione valvola	1
30	91.8373.00	Cuscinetto a sfere 6206	1
31	90.0667.00	Anello seeger Ø 30 UNI 7435	1
32	90.0850.00	Anello seeger Ø 62 UNI 7437	1
33	90.1650.00	Anello rad. Ø 30x62x7	1
35	40.3360.02	Rotore 1.4 CV - F122 F124 X220S X240S	1
	40.3370.02	Rotore 1.4 CV - X117S X161 X230	1
36	92.2660.00	Dado M22 per fissaggio motore	1
	40.3260.02	Statore 1.4 CV - Mon. 220V - F122-X220S	1
	40.3261.02	Statore 1.4 CV - Mon. 240V - F124 - X240S	1
	40.3270.02	Statore 1.4 CV - Mon. 115V - X117S	1
	40.3250.02	Statore 1.2 CV - Mon. 100V - X161	1
	40.3271.02	Statore 1.4 CV - Mon. 203V - X230	1
38	90.1632.00	Anello di tenuta	1

POS	COD.	DESCRIZIONE - DESCRIPTION - KIT	NR
39	45.0300.51	Ventola motore	1
40	45.2125.70	Plattello ventola	1
41	96.7014.00	Rosetta Ø 8.4x13x0.8	1
42	99.3059.00	Vite M8x20 UNI 5931	1
43	45.0400.51	Copriventola	1
44	99.1450.00	Vite Ø 4.2x16	2
45	45.2119.51	Morsetto cavo elettrico	1
46	96.6913.00	Rosetta Ø 5.3x9x0.6	1
47	99.1515.00	Vite M5.3x9x0.6	1
48	90.3920.00	OR Ø 101.27x2.62 (3400)	1
49	45.2103.51	Copribasetta	1
50	45.2127.51	Pressacavo	1
51	45.2121.47	Gommino per pressacavo	1
52	10.7254.01	Cavo con spina	1
53	93.5042.00	Interruttore	1
54	90.3889.00	OR Ø 48.89x2.62 (3193)	1
55	99.1705.00	Vite M5x65 UNI 5931	4
56	93.5632.00	Condensatore 30 µF	1
57	90.3582.00	OR Ø 9.25x1.78 (2037)	94
58	94.8217.00	Molla conica Ø 4.3x7.3x11	94
59	97.4782.00	Sfera 7/32"	94
60	90.3572.00	OR Ø 5.28x1.78 (2021)	94
61	36.3181.51	Corpo dosatore	1
62	94.7383.00	Molla Ø 9.75x10	94
63	90.3580.00	OR Ø 8.83x1.78 (108)	94
64	36.2564.70	Otturatore	1
65	36.2565.51	Pomolo regolazione detersivo	1
66	90.3570.00	OR Ø 4.48x1.78 (2018)	94
67	36.2566.70	Innesto portagomma	1
68	90.3585.00	OR Ø 10.82x1.78 (2043)	94
69	36.2563.70	Sede valvola	1
70	10.0437.70	Ugello 1.6 - F122 F124	1
	10.0307.51	Ugello 1.8 - X220S X240S X117S X161 X230	1
71	10.0147.70	Nipplo M22x1.5	1
72	90.3841.00	OR Ø 17.13x2.62 (3068)	1
73	36.3182.51	Nipplo aspirazione G 3/4"	1
74	92.8925.00	Filtro Ø 12x35	1
75	90.3828.00	OR Ø 12.37x2.62 (3050)	1
76	36.2569.51	Portagomma aspirazione	1
77	92.9828.00	Ghiera G 3/4"	1
79	94.7376.00	Molla Ø 9.4x15	1



\* Fissare con Loctite 542 col. ROSSO  
 \* Affix with Loctite 542 col. RED  
 \* Fixer avec de la Loctite 542 couleur ROUGE  
 \* Mit Loctite 542 ROT befestigen  
 \* Fijar con Loctite 542 col. ROJO  
 \* Fixar com Loctite 542 cor. VERMELHA



**FORMULA**  
**X230 - F122**  
**X220S - X117S**  
**F124 - X240S - X161**



Posizioni  
incluse  
Positions  
included  
(141)

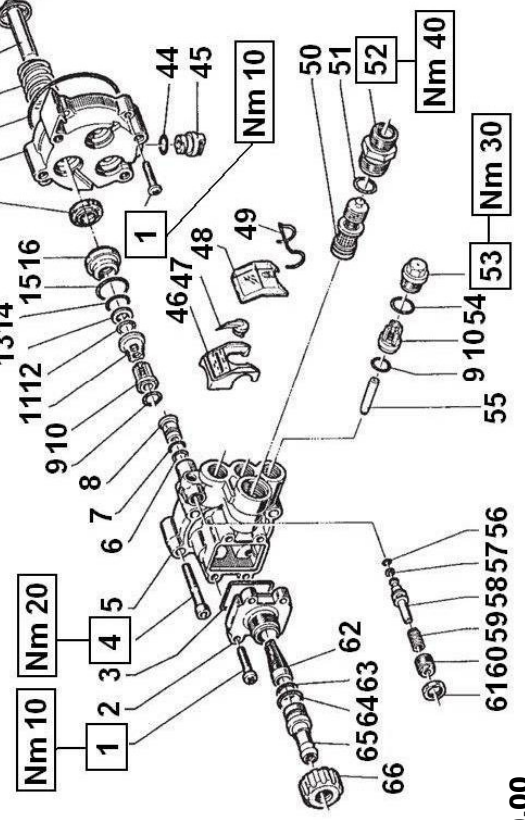
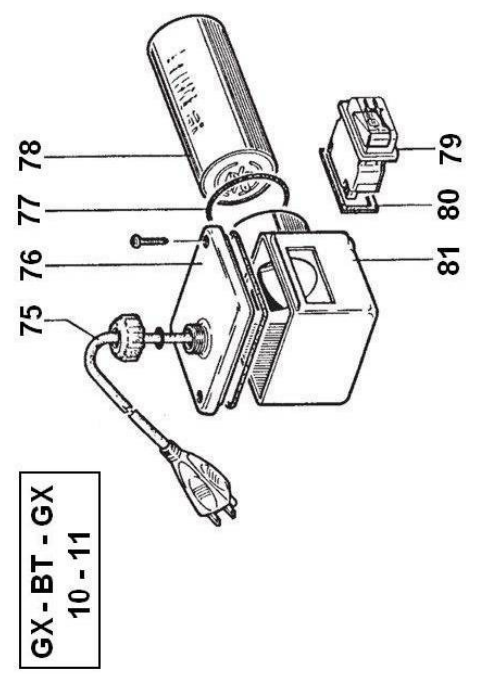
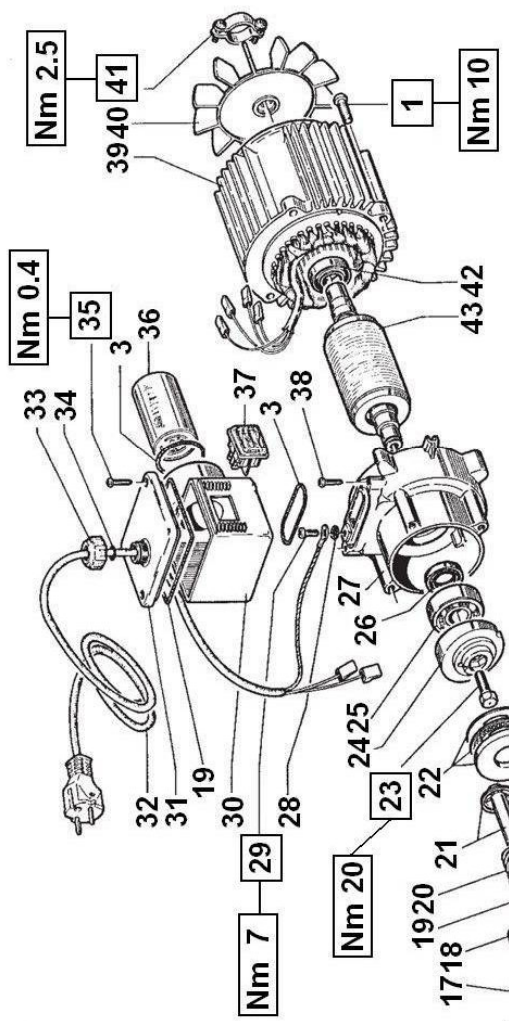
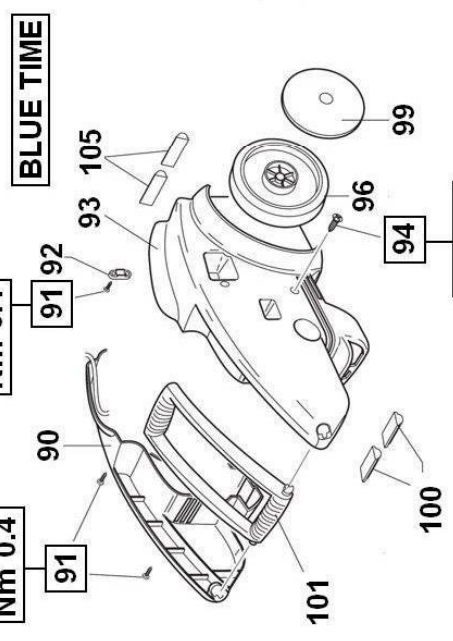
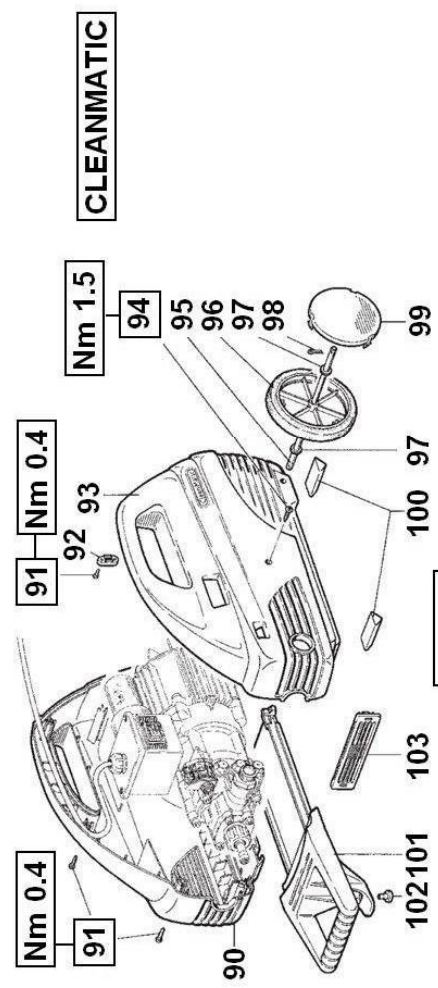
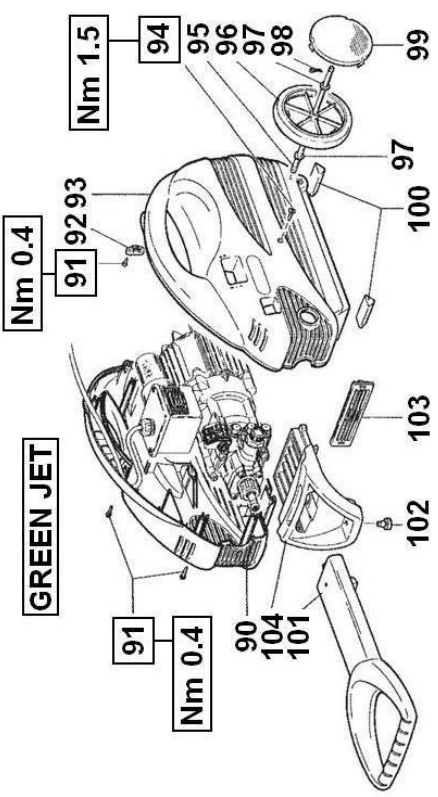
**F124 - X240S - X161**

**KIT RICAMBI - SPARE KITS**

KIT Nr.	KIT 1	KIT 83	KIT 84	KIT 85	KIT 86	KIT 87	KIT 94	KIT 120
72 - 79 80 - 81 140 (141)	98	26 - 139	100 - 101 136 - 137 138	100 - 101 136 - 137 138	100 - 101 136	100 - 101 137 - 138 62 - 63 - 66 68	12 - 28 - 57 58 - 59 - 60 62 - 63 - 66 68	12 - 17 18 - 19 20 - 21 22
Nr. Pcs.	6	3	6	1	3	3	1	1

POS	COD.	DESCRIZIONE - DESCRIPTION - KIT	NR	POS	COD.	DESCRIZIONE - DESCRIPTION - KIT	NR
1	55.0100.22	Cartier pompa	1	46	96.6913.00	Rosetta Ø 5.3x9x0.6	1
2	91.8014.00	Boccola a rullini	1	47	99.1515.00	Vite M5.3x9x0.6	1
3	97.5968.00	Spia livello olio G 3/4"	1	48	90.3920.00	OR Ø 10.1.27x2.62 (3400)	1
6	51.0300.22	Biella	3	49	45.2103.51	Copribasetta	1
7	90.3917.00	OR Ø 88.57x2.62 (3350)	1	50	45.2127.51	Pressacavo	1
8	55.1600.51	Coperchio posteriore carter	1	51	45.2121.47	Gommino per pressacavo	1
9	99.1897.00	Vite M6x25 UNI 5931	8	52	10.7254.01	Cavo con spina	1
10	97.7310.00	Spinotto Ø 8x24.5	3	53	93.5042.00	Interruttore	1
11	55.2110.51	Tappo carico olio	1	54	90.3889.00	OR Ø 48.89x2.62 (3193)	1
12	90.3822.00	OR Ø 9.92x2.62 (112)	94-120	55	99.1705.00	Vite M5x65 UNI 5931	4
13	55.2098.51	Prolunga tappo carico olio	1	56	93.5632.00	Condensatore 30 µF	1
14	90.3833.00	OR Ø 13.95x2.62 (3056)	2	57	90.3582.00	OR Ø 9.25x1.78 (2037)	94
15	96.6938.00	Rosetta Ø 6.4x10x0.7	12	58	94.8217.00	Molla conica Ø 4.3x7.3x11	94
16	55.0205.35	Albero ecc. - F122 F124	1	59	97.4782.00	Sfera 7/32"	94
17	55.0203.35	Albero ecc. - X220S X240S	1	60	90.3572.00	OR Ø 5.28x1.78 (2021)	94
18	36.3196.66	Valvola	120	61	36.3181.51	Corpo dosatore	1
19	36.3167.66	Sede valvola	120	62	94.7383.00	Molla Ø 9.75x10	94
20	36.3195.51	Distanziale p er valvola	120	63	90.3580.00	OR Ø 8.83x1.78 (108)	94
21	94.8220.00	Molla conica Ø 5.1578.35x10	1	64	36.2564.70	Otturatore	1
22	36.3194.70	Pistoncino di comando	120	65	36.2565.51	Pomolo regolazione detersivo	1
23	92.7705.00	Fascia elastica Ø 17	120	66	90.3570.00	OR Ø 4.48x1.78 (2018)	94
24	90.3577.00	OR Ø 7.66x1.78 (2031)	1	67	36.2566.70	Innesto portagomma	1
25	90.5033.00	Anello antiest. Ø 8x11x1.5	1	68	90.3585.00	OR Ø 10.82x1.78 (2043)	94
26	36.3192.70	Vite di regolazione valvola	84	69	36.2563.70	Sede valvola	1
27	90.3847.00	OR Ø 20.24x2.62 (3081)	7	70	10.0437.70	Ugello 1.6 - F122 F124	1
28	36.3193.70	Boccola di guida	1	71	10.0307.51	Ugello 1.8 - X220S X240S X117S X161 X230	1
29	90.3832.00	OR Ø 13.95x2.62 (3037)	94	72	10.0147.70	Nipplo M22x1.5	1
30	36.3191.51	Pomolo regolazione valvola	1	73	90.3841.00	OR Ø 17.13x2.62 (3068)	1
31	91.8373.00	Cuscinetto a sfere 6206	1	74	36.3182.51	Nipplo aspirazione G 3/4"	1
32	90.0667.00	Anello seeger Ø 30 UNI 7435	1	75	92.8925.00	Filtro Ø 12x35	1
33	90.0850.00	Anello seeger Ø 62 UNI 7437	1	76	90.3828.00	OR Ø 12.37x2.62 (3050)	1
34	90.1650.00	Anello rad. Ø 30x62x7	1	77	36.2569.51	Portagomma aspirazione	1
35	40.3360.02	Rotore 1.4 CV - F122 F124 X220S X240S	1	78	92.9828.00	Ghiera G 3/4"	1
36	40.3370.02	Rotore 1.4 CV - X117S X161 X230	1	79	94.7376.00	Molla Ø 9.4x15	1
37	92.2660.00	Dado M22 per fissaggio motore	1	80	36.2001.76	Valvola	1
38	40.3260.02	Statore 1.4 CV - mon. 220V - F122 - X220S	1	81	36.2003.66	Sede valvola	1
39	40.3261.02	Statore 1.4 CV - mon. 240V - F124 - X240S	1	82	10.0415.51	Coperchio manometro	1
40	40.3270.02	Statore 1.4 CV - mon. 115V - X117S	1	83	94.7338.00	Molla Ø 7.2x18	1
41	40.3250.02	Statore 1.2 CV - mon. 100V - X161	1	84	36.2580.70	Vite di regolazione	1
42	40.3271.02	Statore 1.4 CV - mon. 230V - X230	1	85	92.2492.00	Dado M14x1x17x3	1
43	90.1632.00	Anello di tenuta	1	86	36.2589.70	Pistoncino	1
44	45.0300.51	Ventola motore	1	87			
45	45.2125.70	Plattello ventola	1				
46	96.7014.00	Rosetta Ø 8.4x13x0.8	1				
47	99.3059.00	Vite M8x20 UNI 5931	1				
48	45.0400.51	Copriventola	1				
49	99.1450.00	Vite Ø 4.2x16	2				
50	45.2119.51	Morsetto cavo elettrico	1				

POS	COD.	DESCRIZIONE - DESCRIPTION - KIT	NR
88	90.5004.00	Anello antiest. Ø 3.2x6x1.5	1
89	90.3567.00	OR Ø 2.90x1.78 (2012)	1
90	10.0438.70	Corpo manometro	1
91	10.0439.01	Gruppo quadrante	1
92	10.0419.01	Gruppo indicatore	1
93	99.1943.00	Vite M6x40 UNI 5931	8
94	55.1201.22	Testata pompa	1
95	90.3591.00	OR Ø 14x1.78 (2056)	1
96	98.2090.00	Tappo G 3/8"x13	1
97	98.2100.00	Tappo G 3/8"x13	1
98	90.1565.00	Anello rad. Ø 15x24x5	83
99	98.2091.00	Tappo G 3/8"x13	1
100	90.3835.00	OR Ø 15.08x2.62 (119)	85-86-87
101	90.3604.00	OR Ø 25.12x1.78 (2100)	85-86-87
112	55.2312.51	Carenatura inferiore	1
113	55.2313.51	Carenatura superiore	1
114	55.2404.51	Perno per maniglia	1
115	55.2418.51	Maniglia	1
116	99.3039.00	Vite M8x16 UNI 5931	8
117	55.2419.51	Coperchio carenatura	1
118	98.1924.00	Tappo Ø 7	3
123	45.2124.51	Copribasetta autoest.	1
124	10.7187.01	Cavo 2.5 m. - USA	1
125	93.5028.00	Interruttore con protettore termico	1
126	93.5688.00	Condensatore 80 µF	1
127	45.2120.51	Cappello prot. Condensatore autoest.	1
128	41.2126.84	Guarnizione per interruttore	1
130	51.0500.56	Guida per pistone	3
131	96.7070.00	Rosetta Ø 9x23x0.5	3
132	90.5022.00	Anello antiest. Ø 6.2x9x1.5	3
133	51.0400.09	Pistone Ø 15x25	3
134	96.7008.00	Rosetta Ø 8x13x1	3
135	92.2216.00	Dado M8x13x15	3
136	51.0800.70	Anello di fondo Ø 15	85-86
137	90.2618.00	Anello ten. alt. Ø 15x25x5/3.1	85-87
138	51.1000.51	Anello di testa Ø 15	85-87
139	98.2218.00	Tappo M24x1.5x11	84
140	36.2002.51	Guida valvola	1
141	36.7032.01	Gruppo valvola aspirazione/mandata	1



DIS. COD. 56.9500.00





# CLEANMATIC – GREEN JET BLUE TIME

## 10 – 11 – 22 – 24 – 26

POS	COD.	DESCRIZIONE – DESCRIPTION - KIT	NR
1	99.1914.00	Vite M6x30 autoflettante	12
2	56.2102.51	Flangia aspirazione	1
3	90.3877.00	OR Ø 39.34x2.62 (3156)	3
4	99.3144.00	Vite M8x50 UNI 5931	4
5	56.1200.22	Testata pompa	1
6	90.3581.00	OR Ø 8.73x1.78 (108)	1
7	90.3818.00	OR Ø 7.59x2.62 (3030)	1
8	54.2109.70	Cilindro per manometro	1
9	90.3589.00	OR Ø 12.42x1.78 (2050)	134
10	36.7116.01	Gruppo valvola aspiraz./mand.	134
11	56.2101.51	Distanziale	3
12	90.3827.00	OR Ø 11.91x2.62 (115)	146
13	90.5073.00	Anello antiest. Ø 12x16.5x3	146
14	90.3596.00	OR Ø 18.77x1.78 (2075)	146
15	90.3857.00	OR Ø 23.81x2.62 (132)	146
16	56.0800.51	Anello di fondo Ø 12	146
17	90.1542.00	Anello rad. Ø 12x22x4/6	147
18	56.2104.22	Corpo guida pistoni	1
19	90.3916.00	OR Ø 82.22x2.62 (3325)	2
20	97.7564.00	Molla Ø 25.5x40	3
21	56.0401.01	Assieme pistone Ø 12	3
22	91.8347.00	Cuscinetto a rulli Ø 27x40x60x10	1
23	99.3068.00	Vite M8x25 UNI 5739	1
24	56.2107.22	Piatto inclinato – 50 Hz	1
	56.2111.22	Piatto inclinato – 60 Hz	1
25	91.8050.00	Cuscinetto a sfere 6303	1
26	90.1614.00	Anello rad. Ø 20x30x5	1
27	56.0100.22	Carter pompa	1
28	96.6913.00	Rosetta Ø 5.3x9x0.5	1
29	99.1542.00	Vite M5x12 UNI 8112	1
30	38.2103.51	Scatola elettrica	1
31	38.2120.51	Coperchio scatola elettrica	1
	10.6048.01	Cavo con spina – NEOP.	1
	10.6060.01	Cavo con spina – GB	1
	10.6055.01	Cavo con spina – GB	1
	10.6051.01	Cavo con spina – CL-GX-BL 26	1
33	92.9768.00	Galletto G 1/2"	1

### KIT RICAMBI – SPARE KITS

KIT Nr.	KIT 132	KIT 133	KIT 134	KIT 146	KIT 147
Posizioni include Positions included	50	53 - 54	9 - 10	12 - 13 14 - 15 16	17
Nr. Pcs.	1	4	6	3	3

POS	COD.	DESCRIZIONE – DESCRIPTION - KIT	NR
34	90.4026.00	OR Ø 7.51x3.53 (4028)	1
35	99.1312.00	Vite Ø 4.2x19 UNI 7049	2
36	93.5628.00	Condensatore 20 µF	1
37	93.5042.00	Interruttore 16A	1
38	99.1542.00	Vite M5x12 UNI 8112	2
	38.3260.02	Statore comp. mono. 230V 50 Hz	1
	38.3261.02	Statore comp. mono. 240V 50 Hz	1
	38.3265.02	Statore comp. mono. 100V 60 Hz	1
	38.3266.02	Statore comp. mono. 115V 60 Hz	1
	38.3268.02	Statore comp. mono. 208-230V 60 Hz	1
40	38.0300.51	Ventola	1
41	38.2118.01	Morsetto per ventola	1
42	91.8040.00	Cuscinetto a sfere 6003	1
43	38.3460.02	Rotore 100-240V 50-60 Hz	1
44	90.4028.00	OR Ø 9.12x3.53 (4036)	1
45	56.2100.51	Tappo Ø 14	1
46	36.2590.01	Quadrante	1
47	36.2578.51	Indicatore	1
48	36.2577.51	Coperchio	1
49	94.8718.00	Molla di torsione Ø 18	1
50	34.0132.01	Interno completo 132	1
51	90.3847.00	OR Ø 20.24x2.62 (3081)	1
52	36.3223.70	Nipplo M22x1.5	1
53	98.2135.00	Tappo M18x1.5x10 133	3
54	90.3593.00	OR Ø 15.6x1.78 (2062)	133
55	56.2103.51	Tubetto Ø 8x38	2
56	90.3662.00	OR Ø 3x2	1
57	90.5004.00	Anello antiest. Ø 3.2x6x1.5	1
63	90.3828.00	OR Ø 12.37x2.62 (3050)	1
64	90.3591.00	OR Ø 14x1.78 (2056)	1
65	36.2569.51	Portogomma aspirazione	1
66	92.9828.00	Ghiera G 3/4"	1

### VERSION – VERSIONE 60 Hz

75	10.6051.01	Cavo con spina	1
	10.6059.01	Cavo con spina - GFCI	1
76	38.2121.51	Coperchio scatola elettrica	1
77	90.3889.00	OR Ø 48.89x2.62 (3193)	1
78	93.5688.00	Condensatore 80 µF	1
79	93.5027.00	Interruttore con protettore termico	1

80	41.2126.84	Guarnizione per interruttore	1
81	38.2124.51	Scatola elettrica autoestinguente	1

### CLEANMATIC

POS	COD.	DESCRIZIONE – DESCRIPTION - KIT	NR
90	56.2310.51	Carenatura sinistra	1
91	99.1312.00	Vite Ø 4x18 UNI 7049	9
92	23.0095.51	Fermacavo	1
93	56.2300.51	Carenatura destra	1
94	99.1474.00	Vite Ø 4.8x13 UNI 7049	2
95	56.2410.64	Assale	1
96	56.2411.02	Ruota	2
97	96.7017.00	Rosetta Ø 8.4x15x0.2	4
98	91.7080.00	Copiglia Ø 2x15 UNI 1336	2
99	56.2412.51	Copriruota	2
100	54.2000.82	Piedino	4
101	56.2320.51	Manico	1
102	98.1924.00	Tappo per foro Ø 7	1
103	56.2330.51	Griglia (esclusa versione carrellata)	1

### GREEN JET

90	56.2315.51	Carenatura sinistra	1
91	99.1312.00	Vite Ø 4x18 UNI 7049	8
92	23.0095.51	Fermacavo	1
93	56.2305.51	Carenatura destra	1
94	99.1474.00	Vite Ø 4.8x13 UNI 7049	2
95	56.2410.64	Assale	1
96	56.2411.02	Ruota	2
97	96.7017.00	Rosetta Ø 8.4x15x0.2	4
98	91.7080.00	Copiglia Ø 2x15 UNI 1336	2
99	56.2416.51	Copriruota	2
100	54.2000.82	Piedino	4
101	56.2326.01	Gruppo manico + otturatore	1
102	98.1924.00	Tappo per foro Ø 7	1
103	56.2330.51	Griglia (esclusa versione carrellata)	1
104	56.2424.51	Piedino	1

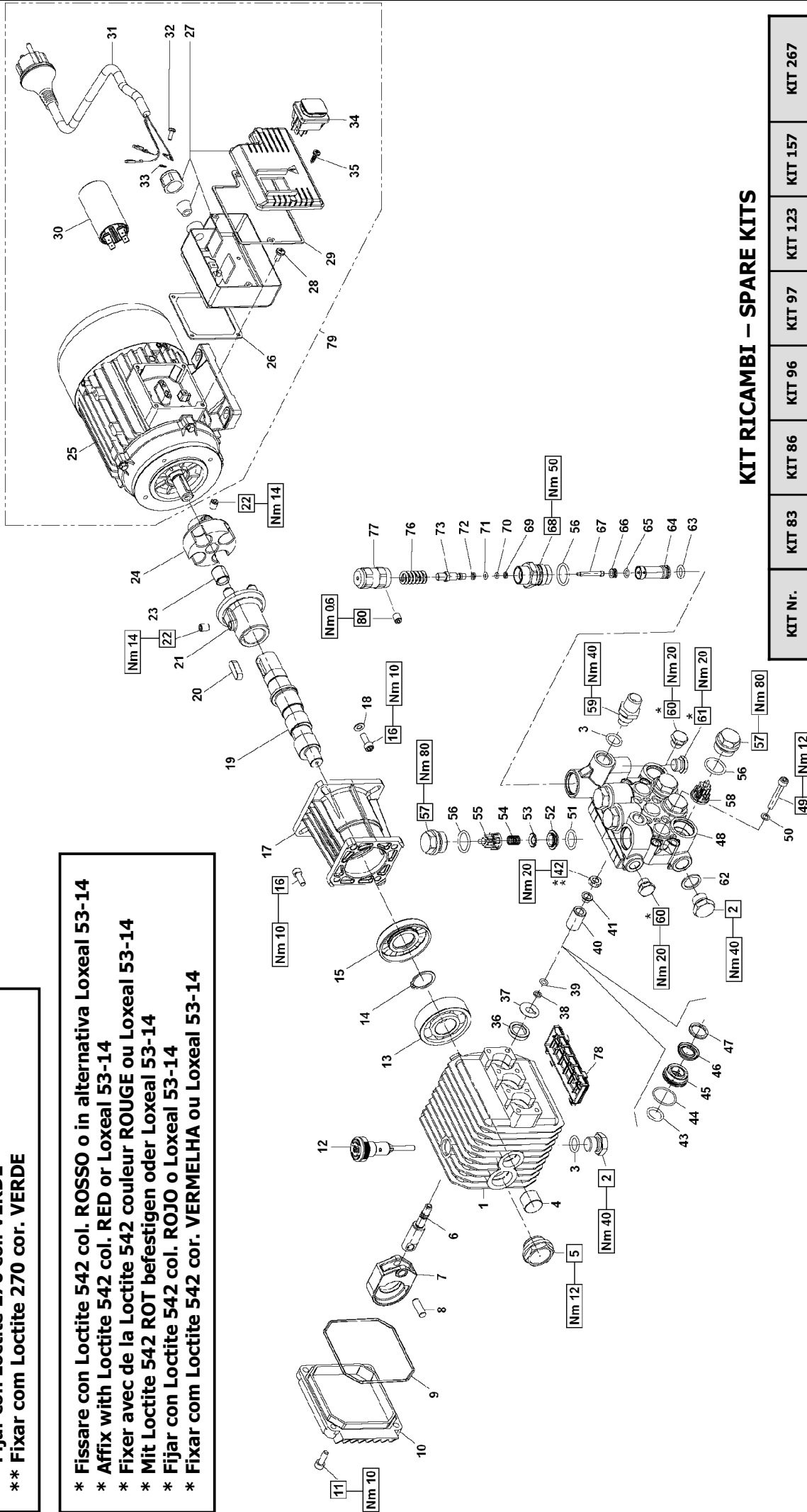
### BLUE TIME

90	56.2353.51	Carenatura sinistra	1
91	99.1312.00	Vite Ø 4x18 UNI 7049	10
92	23.0095.51	Fermacavo	1
93	56.2336.51	Carenatura destra	1
94	99.1474.00	Vite Ø 4.8x13 UNI 7049	2
96	56.2431.51	Ruota	2
99	23.0138.51	Copriruota	2
100	54.2000.82	Piedino	2
101	56.2329.51	Manico	1
105	54.2005.82	Piedino	2

**Flangia e giunto elastico - Flange and flexible coupling  
 Bride et accouplement élastique - Flansch und elastische Kupplung  
 Brida y acoplamiento elástico - Breio e conoexão elástica**

- \*\* Fissare con Loctite 270 col. VERDE
- \*\* Affix with Loctite 270 col. GREEN
- \*\* Fixer avec de la Loctite 270 couleur VERT
- \*\* Mit Loctite 270 GRÜN befestigen
- \*\* Fijar con Loctite 270 col. VERDE
- \*\* Fixar com Loctite 270 cor. VERDE

- \* Fissare con Loctite 542 col. ROSSO o in alternativa Loxeal 53-14
- \* Affix with Loctite 542 col. RED or Loxeal 53-14
- \* Fixer avec de la Loctite 542 couleur ROUGE ou Loxeal 53-14
- \* Mit Loctite 542 ROT befestigen oder Loxeal 53-14
- \* Fijar con Loctite 542 col. ROJO o Loxeal 53-14
- \* Fixar com Loctite 542 cor. VERMELHA ou Loxeal 53-14



**KIT RICAMBI – SPARE KITS**

KIT Nr.	KIT 83	KIT 86	KIT 96	KIT 97	KIT 123	KIT 157	KIT 267
Posizioni Include Positions included	36	43 - 44 45	43 - 44 45 - 46 47	43 - 44 46 - 47	51 - 52 53 - 54 55 (58)	56 - 57	56 - 63 - 64 65 - 66 - 67 68 - 69 - 70 71 - 72 - 73 76 - 77 - 80
Nr. Pcs.	3	3	1	3	6	6	1

**MISTING  
 51 SERIES**

DIS. COD. 51.9577.00



# M51012F - M51022F

POS	COD.	DESCRIZIONE - DESCRIPTION - KIT	NR
1	51.0106.22	Carter pompa	1
2	98.2100.00	Tappo G 3/8"x13	2
3	90.3833.00	OR Ø 13.92x2.62 (3056)	2
4	91.8014.00	Boccola a rullini	1
5	97.5968.00	Spia livello olio G 3/4"x11.5	1
6	51.0500.56	Guida pistone	3
7	51.0301.22	Biella	3
8	97.7310.00	Spinotto Ø 8x24.5	3
9	90.3917.00	OR Ø 88.57x2.62 (3350)	1
10	51.1600.22	Coperchio posteriore carter	1
11	99.1867.00	Vite M6x18 UNI 5931 - Zinc.	4
12	98.2103.00	Tappo con asta G 3/8"x51	1
13	91.8328.00	Cuscinetto a sfere 6305	1
14	90.0635.00	Anello d'arresto Ø 25 UNI 7435	1
15	90.1641.00	Anello rad. Ø 25x62x10	1
16	99.1854.00	Vite M6x16 UNI 5931 - Zinc.	8
17	10.0741.22	Flangia pompa-motore MEC 71	1
18	96.6940.00	Rosetta Ø 6.4x12x1 UNI 1749 - Zinc.	4
19	51.0230.65 51.0220.65	Albero - M51022F Albero - M51012F	1
20	91.4877.00	Linguetta 8x7x25 UNI 6604-A	1
21	10.0758.22	Semigiunto lato pompa	1
22	99.3017.00	Vite M8x10 UNI 5929	2
23	10.0090.47	Boccola ammortizzatrice per giunto	1
24	10.0738.22	Semigiunto lato motore MEC 71	1
25	95.0152.00 95.0132.00	Mot. mon. 0.8 kW Gr.71F - M51022F Mot. mon. 0.55 kW Gr.71F - M51012F	1 1
26	38.2145.47	Guarnizione	1

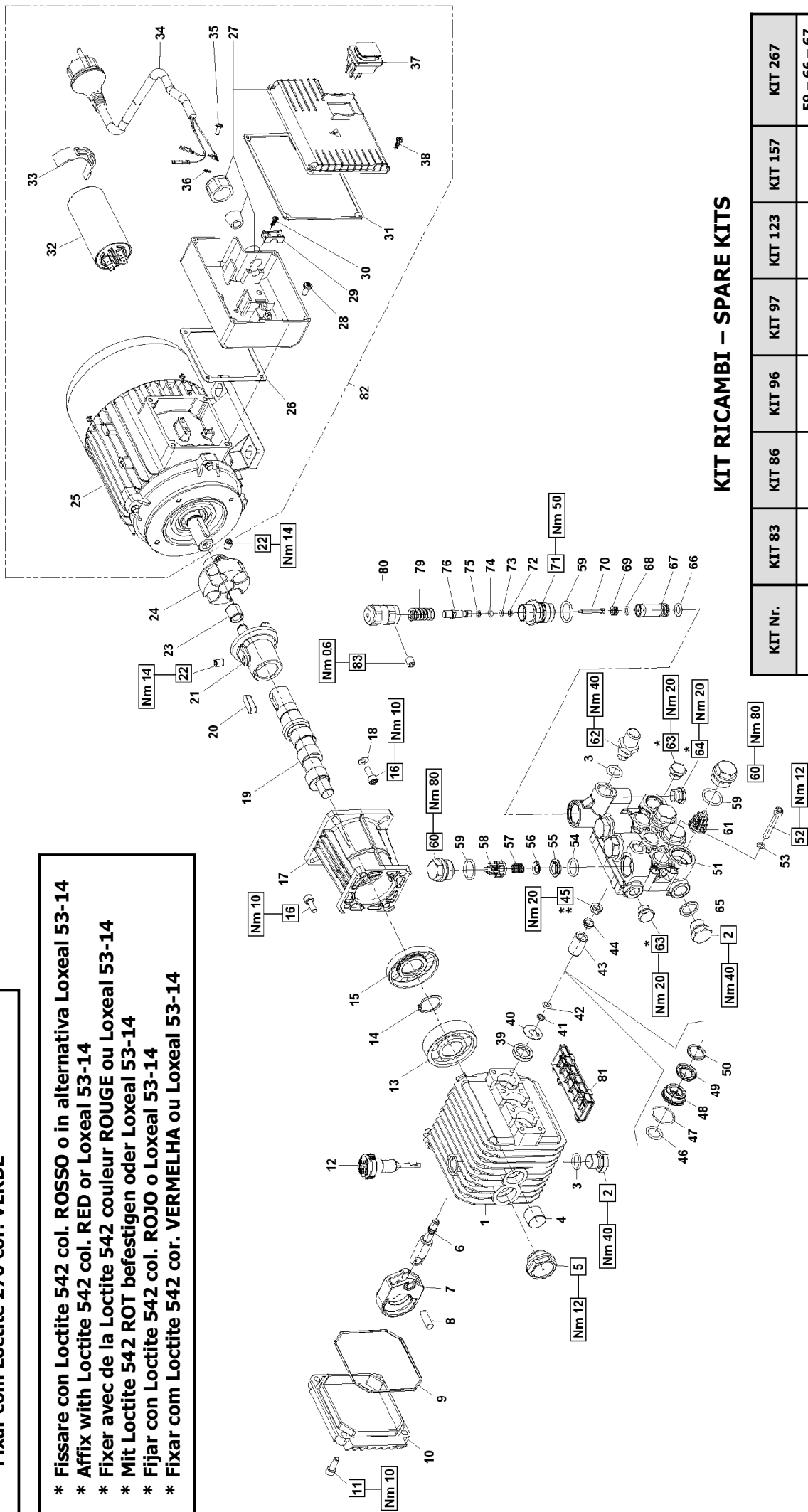
POS	COD.	DESCRIZIONE - DESCRIPTION - KIT	NR
27	38.2147.11	Scatola elettrica completa	1
28	99.1542.00	Vite M5x12 UNI 8112	4
29	38.2146.47	Guarnizione scatola elettrica	1
30	93.5627.00	Condensatore 16 µF	1
31	10.7441.01	Cavo elettrico	1
32	99.1274.00	Vite M4x10 UNI 8112	1
33	96.6842.00	Rosetta Ø 4.3x8x0.5	1
34	93.5042.00	Interruttore	1
35	99.0845.00	Vite Ø 3.5x16 UNI 7049	2
36	90.1565.00	Anello rad. 15x24x5	83
37	96.7070.00	Rosetta Ø 9x23x0.5	3
38	90.5022.00	Anello antiest. Ø 6.2x9x1.5	3
39	90.3573.00	OR Ø 5.28x1.78 (2021)	3
40	51.0400.09	Pistone Ø 15x25	3
41	44.2115.70	Rosetta Ø 8 con collare	3
42	92.2216.00	Dado M8x13x5 - INOX	3
43	90.3835.00	OR Ø 15.08x2.62 (119)	86-96-97
44	90.3604.00	OR Ø 25.12x1.78 (2100)	86-96-97
45	51.0800.70	Anello di fondo Ø 15	86-96
46	90.2620.00	Anello ten. alt. Ø 15x25x5/3.1	96-97
47	51.1000.51	Anello di testa Ø 15	96-97
48	51.1201.41	Testata pompa Ø 15 con valvola	1
49	99.1943.00	Vite M6x40 UNI 5931 - Zinc.	8
50	96.6938.00	Rondella Ø 6.4x10x0.7	8
51	90.3841.00	OR Ø 17.13x2.62 (3068)	123
52	36.2003.66	Sede valvola	123
53	36.2001.76	Valvola	123
54	94.7376.00	Molla Ø 9.4x14.8	123
55	36.2025.51	Guida valvola	123
56	90.3847.00	OR Ø 20.24x2.62 (3081)	157-267
57	98.2216.00	Tappo M24x1.5x11.2	157
58	36.7115.01	Gruppo valvola aspiraz./mand.	123

POS	COD.	DESCRIZIONE - DESCRIPTION - KIT	NR
59	10.0078.70	Nipplo G 3/8" per ugello iniettore	1
60	98.2041.00	Tappo G 1/4"x9	2
61	98.2057.00	Tappo M14x1x9	1
62	96.7380.00	Rosetta Ø 17.5x23x1.5	1
63	90.3823.00	OR Ø 9.92x2.62 (112)	267
64	36.0056.70	Distanziale sede valvola	267
65	90.3576.00	OR Ø 6.75x1.78 (106)	267
66	10.0085.66	Sede valvola	267
67	36.3239.66	Valvola	267
68	36.0055.70	Boccola	267
69	90.5007.00	Anello antiest. Ø 4x6.8x1.5	267
70	90.3569.00	OR Ø 3.69x1.78 (2015)	267
71	90.3570.00	OR Ø 4.48x1.78 (2018)	267
72	90.5020.00	Anello antiest. Ø 5.2x8x1.5	267
73	36.3237.70	Pistoncino di comando	267
76	94.7400.00	Molla Ø 11.8x28.5	267
77	36.0054.70	Pomolo	267
78	51.2090.51	Protezione	1
79	95.0150.00 95.0130.00	Mot. 0.8 kW Gr.71 Completo - M51022F Mot. 0.55 kW Gr.71 Completo - M51012F	1 1
80	99.1261.00	Vite M4x4 Uni 5923	267

**Flangia e giunto elastico - Flange and flexible coupling  
Bride et accouplement élastique - Flansch und elastische Kupplung  
Brida y acoplamiento elástico - Breio e conoexão elástica**

- \*\* Fissare con Loctite 270 col. VERDE
- \*\* Affix with Loctite 270 col. GREEN
- \*\* Fixer avec de la Loctite 270 couleur VERT
- \*\* Mit Loctite 270 GRÜN befestigen
- \*\* Fijar con Loctite 270 col. VERDE
- \*\* Fixar com Loctite 270 cor. VERDE

- \* Fissare con Loctite 542 col. ROSSO o in alternativa Loxeal 53-14
- \* Affix with Loctite 542 col. RED or Loxeal 53-14
- \* Fixer avec de la Loctite 542 couleur ROUGE ou Loxeal 53-14
- \* Mit Loctite 542 ROT befestigen oder Loxeal 53-14
- \* Fijar con Loctite 542 col. ROJO o Loxeal 53-14
- \* Fixar com Loctite 542 cor. VERMELHA ou Loxeal 53-14

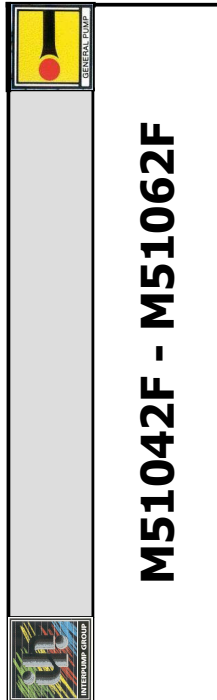


**KIT RICAMBI – SPARE KITS**

KIT Nr.	KIT 83	KIT 86	KIT 96	KIT 97	KIT 123	KIT 157	KIT 267
Posizioni include Positions included	39	46 - 47 48	46 - 47 48 - 49 50	46 - 47 49 - 50	54 - 55 56 - 57 58 (61)	59 - 60	59 - 66 - 67 68 - 69 - 70 71 - 72 - 73 74 - 75 - 76 79 - 80 - 83
Nr. Pcs.	3	3	1	3	6	6	1

**MISTING  
51 SERIES**

DIS. COD. 51.9579.00



# M51042F - M51062F

POS	COD.	DESCRIZIONE - DESCRIPTION - KIT	NR
1	51.0106.22	Carter pompa	1
2	98.2100.00	Tappo G 3/8"x13	2
3	90.3833.00	OR Ø 13.92x2.62 (3056)	2
4	91.8014.00	Boccola a rullini	1
5	97.5968.00	Spia livello olio G 3/4"x11.5	1
6	51.0500.56	Guida pistone	3
7	51.0301.22	Biella	3
8	97.7310.00	Spinotto Ø 8x24.5	3
9	90.3917.00	OR Ø 88.57x2.62 (3350)	1
10	51.1600.22	Coperchio posteriore carter	1
11	99.1867.00	Vite M6x18 UNI 5931 - Zinc.	4
12	98.2103.00	Tappo con asta G 3/8"x51	1
13	91.8328.00	Cuscinetto a sfere 6305	1
14	90.0635.00	Anello d'arresto Ø 25 UNI 7435	1
15	90.1641.00	Anello rad. Ø 25x62x10	1
16	99.1854.00	Vite M6x16 UNI 5931 - Zinc.	8
17	10.0743.22	Flangia pompa-motore MEC 80	1
18	96.6940.00	Rosetta Ø 6.4x12x1 UNI 1749 - Zinc.	4
19	51.0204.65 51.0200.65	Albero - M51062F Albero - M51042F	1
20	91.4877.00	Linguetta 8x7x25 UNI 6604-A	1
21	10.0758.22	Semigiunto lato pompa	1
22	99.3017.00	Vite M8x10 UNI 5929	2
23	10.0090.47	Boccola ammortizzatrice per giunto	1
24	10.0739.22	Semigiunto lato motore MEC 80	1
25	95.0192.00 95.0172.00	Mot. mon. 1.7 kW Gr.80F - M51062F Mot. mon. 1.15 kW Gr.80F - M51042F	1 1
26	38.2143.47	Guarnizione	1

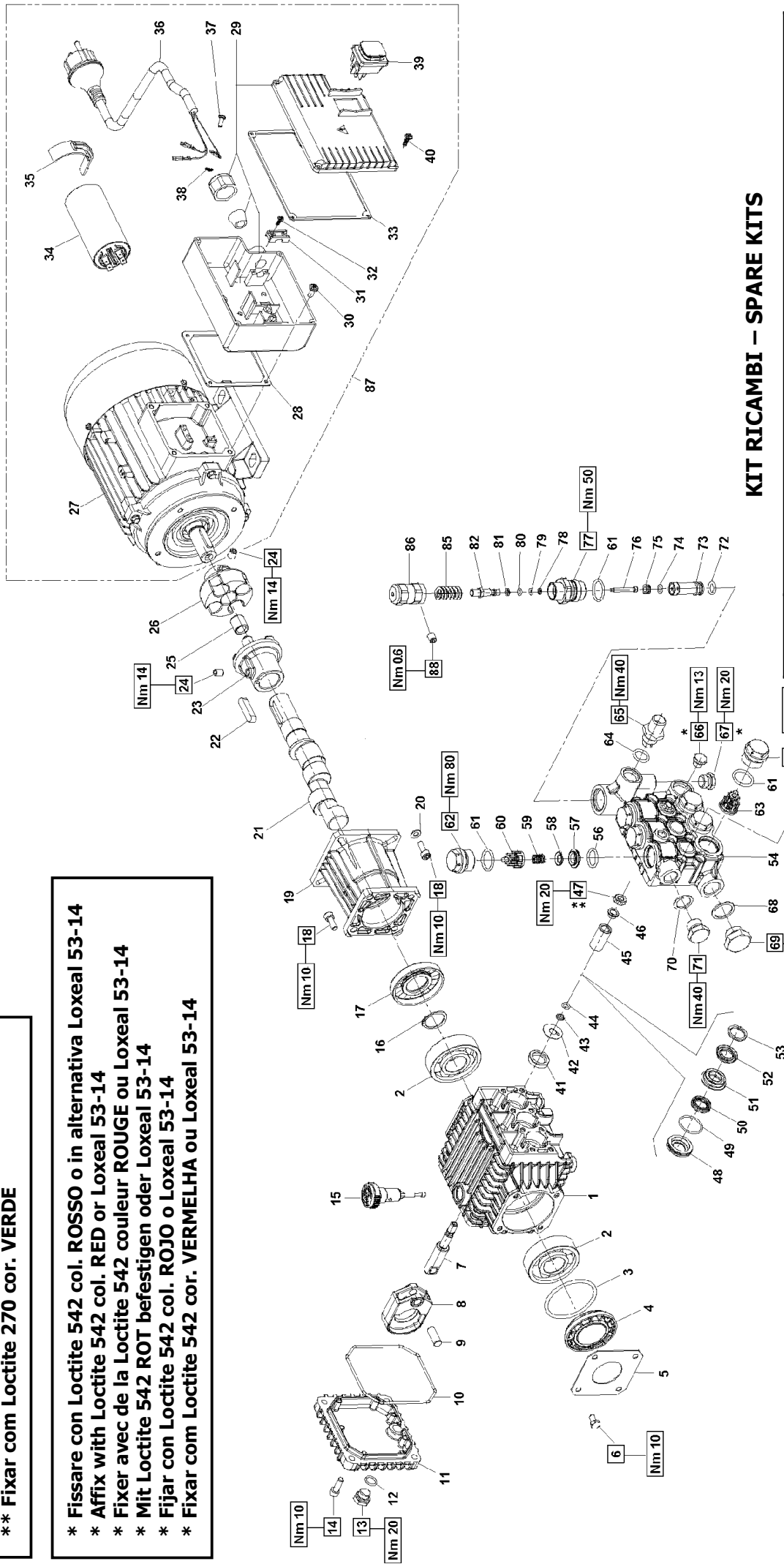
POS	COD.	DESCRIZIONE - DESCRIPTION - KIT	NR
27	40.2146.11	Scatola elettrica completa	1
28	99.1542.00	Vite M5x12 UNI 8112	4
29	93.5240.00	Fermacavo	1
30	99.0840.00	Vite Ø 3.5x13 UNI 7049	2
31	40.2145.47	Guarnizione scatola elettrica	1
32	93.5646.00 93.5630.00	Condensatore 40 µF - M51062F Condensatore 30 µF - M51042F	1 1
33	92.8230.00	Clip ferma condensatore	1
34	10.7441.01	Cavo elettrico	1
35	99.1274.00	Vite M4x10 UNI 8112	1
36	96.6842.00	Rosetta Ø 4.3x8x0.5	1
37	93.5042.00	Interruttore	1
38	99.0845.00	Vite Ø 3.5x16 UNI 7049	2
39	90.1565.00	Anello rad. 15x24x5	83
40	96.7070.00	Rosetta Ø 9x23x0.5	3
41	90.5022.00	Anello antiest. Ø 6.2x9x1.5	3
42	90.3573.00	OR Ø 5.28x1.78 (2021)	3
43	51.0400.09	Pistone Ø 15x25	3
44	44.2115.70	Rosetta Ø 8 con collare	3
45	92.2216.00	Dado M8x13x5 - INOX	3
46	90.3835.00	OR Ø 15.08x2.62 (119)	86-96-97
47	90.3604.00	OR Ø 25.12x1.78 (2100)	86-96-97
48	51.0800.70	Anello di fondo Ø 15	86-96
49	90.2620.00	Anello ten. alt. Ø 15x25x5/3.1	96-97
50	51.1000.51	Anello di testa Ø 15	96-97
51	51.1201.41	Testata pompa Ø 15 con valvola	1
52	99.1943.00	Vite M6x40 UNI 5931 - Zinc.	8
53	96.6938.00	Rondella Ø 6.4x10x0.7	8
54	90.3841.00	OR Ø 17.13x2.62 (3068)	123
55	36.2003.66	Sede valvola	123
56	36.2001.76	Valvola	123
57	94.7376.00	Molla Ø 9.4x14.8	123

POS	COD.	DESCRIZIONE - DESCRIPTION - KIT	NR
58	36.2025.51	Guida valvola	123
59	90.3847.00	OR Ø 20.24x2.62 (3081)	157-267
60	98.2216.00	Tappo M24x1.5x11.2	157
61	36.7115.01	Gruppo valvola aspiraz./mand.	123
62	10.0078.70	Nipplo G 3/8" per ugello iniettore	1
63	98.2041.00	Tappo G 1/4"x9	2
64	98.2057.00	Tappo M14x1x9	1
65	96.7380.00	Rosetta Ø 17.5x23x1.5	1
66	90.3823.00	OR Ø 9.92x2.62 (112)	267
67	36.0056.70	Distanziale sede valvola	267
68	90.3576.00	OR Ø 6.75x1.78 (106)	267
69	10.0085.66	Sede valvola	267
70	36.3239.66	Valvola	267
71	36.0055.70	Boccola	267
72	90.5007.00	Anello antiest. Ø 4x6.8x1.5	267
73	90.3569.00	OR Ø 3.69x1.78 (2015)	267
74	90.3570.00	OR Ø 4.48x1.78 (2018)	267
75	90.5020.00	Anello antiest. Ø 5.2x8x1.5	267
76	36.3237.70	Pistoncino di comando	267
79	94.7400.00	Molla Ø 11.8x28.5	267
80	36.0054.70	Pomolo	267
81	51.2090.51	Protezione	1
82	95.0190.00 95.0170.00	Mot. 1.7 kW Gr.80 Competo - M51062F Mot. 1.15 kW Gr.80 Completo - M51042F	1 1
83	99.1261.00	Vite M4x4 UNI 5923	267

**Flangia e giunto elastico - Flange and flexible coupling  
Bride et accouplement élastique - Flansch und elastische Kupplung  
Brida y acoplamiento elástico - Breio e conoexão elástica**

- \*\* Fissare con Loctite 270 col. VERDE
- \*\* Affix with Loctite 270 col. GREEN
- \*\* Fixer avec de la Loctite 270 couleur VERT
- \*\* Mit Loctite 270 GRÜN befestigen
- \*\* Fijar con Loctite 270 col. VERDE
- \*\* Fixar com Loctite 270 cor. VERDE

- \* Fissare con Loctite 542 col. ROSSO o in alternativa Loxeal 53-14
- \* Affix with Loctite 542 col. RED or Loxeal 53-14
- \* Fixer avec de la Loctite 542 couleur ROUGE ou Loxeal 53-14
- \* Mit Loctite 542 ROT befestigen oder Loxeal 53-14
- \* Fijar con Loctite 542 col. ROJO o Loxeal 53-14
- \* Fixar com Loctite 542 cor. VERMELHA ou Loxeal 53-14



**KIT RICAMBI – SPARE KITS**

KIT Nr.	KIT 83	KIT 123	KIT 196	KIT 198	KIT 200	KIT 200	KIT 226	KIT 267
Posizioni include Positions included	41	56 - 57 58 - 59 60 (63)	50 - 52 53	51	48 - 49	48 - 49	48 - 49 50 - 51 52 - 53	61 - 72 - 73 74 - 75 - 76 77 - 78 - 79 80 - 81 - 82 85 - 86 - 88
Nr. Pcs.	3	6	3	3	3	1	1	1

**MISTING  
60 SERIES**

DIS. COD. 60.9512.00



# M60082F



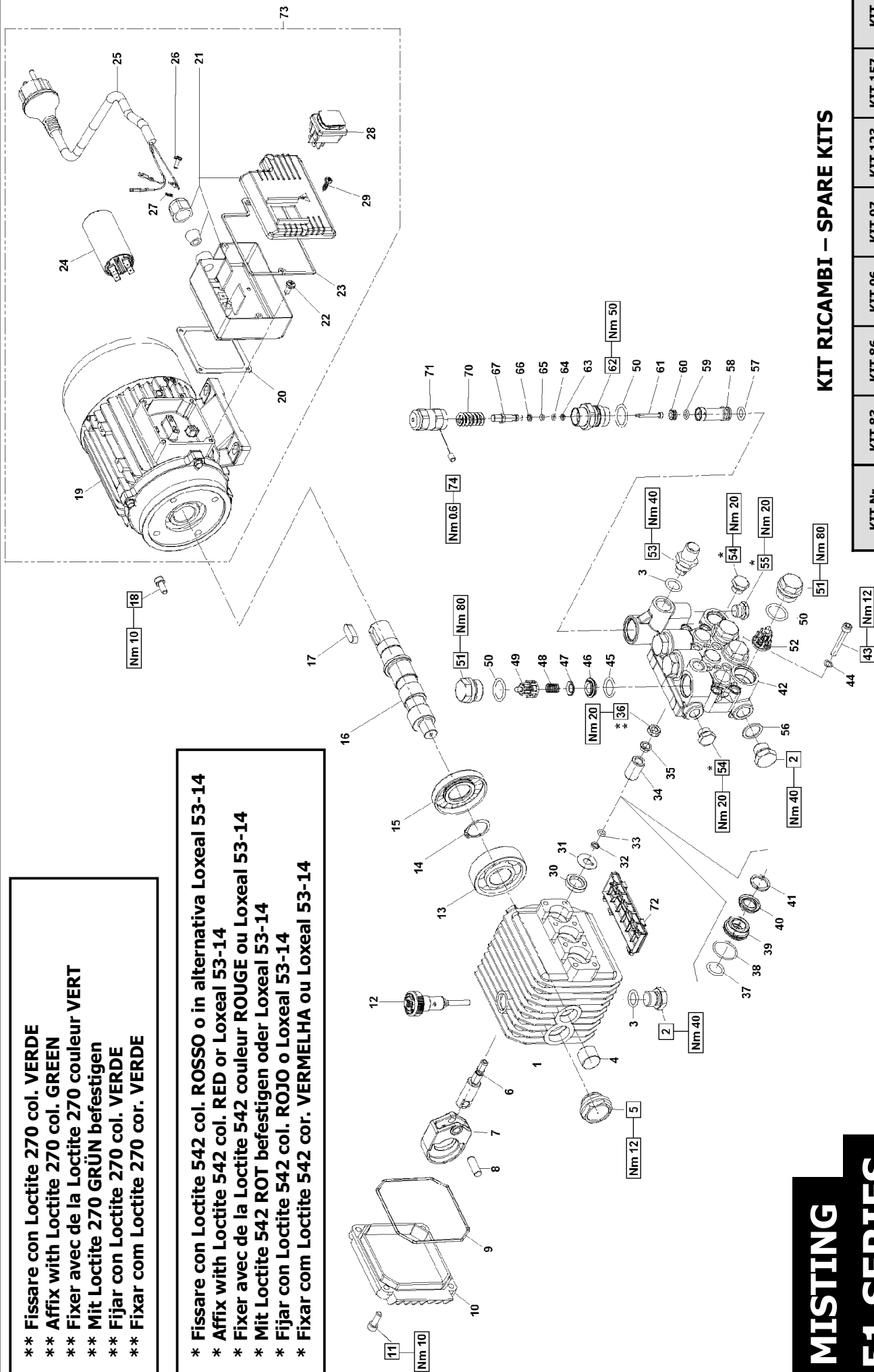
POS	COD.	DESCRIZIONE - DESCRIPTION - KIT	NR
1	60.0100.22	Carter pompa	1
2	91.8328.00	Cuscinetto a sfere 6305	2
3	90.4097.00	OR Ø 55.56x3.53 (159)	1
4	44.2118.01	Distanziale con indicatore	1
5	50.1500.74	Coperchio carter	1
6	99.1807.00	Vite M6x10 UNI 5739 - Zinc.	4
7	60.0500.66	Guida pistone	3
8	60.0300.22	Biella	3
9	97.7333.00	Spinotto Ø 9x24.5	3
10	90.3918.00	OR Ø 94.92x2.62 (3375)	1
11	60.1600.22	Coperchio posteriore	1
12	90.3585.00	OR Ø 10.82x1.78 (2043)	1
13	98.2041.00	Tappo G 1/4"x9	1
14	99.1867.00	Vite M6x18 UNI 5931 - Zinc.	4
15	98.2103.00	Tappo con asta G 3/8"x51	1
16	90.0635.00	Anello d'arresto Ø 25 UNI 7435	1
17	90.1641.00	Anello rad. Ø 25x62x10	1
18	99.1854.00	Vite M6x16 UNI 5931 - Zinc.	8
19	10.0743.22	Flangia pompa-motore MEC 80	1
20	96.6940.00	Rosetta Ø 6.4x12x1 UNI 1749 - Zinc.	4
21	60.0217.65	Albero	1
22	91.4892.00	Linguetta 8x7x35	1
23	10.0740.22	Semigiunto lato pompa	1
24	99.3017.00	Vite M8x10 UNI 5929	2
25	10.0090.47	Boccola ammortizzatrice per giunto	4
26	10.0739.22	Semigiunto lato motore MEC 80	1

POS	COD.	DESCRIZIONE - DESCRIPTION - KIT	NR
27	95.0192.00	Mot. mono. 1.7 Kw Gr.80F	1
28	43.2103.47	Guarnizione	1
29	40.2146.11	Scatola elettrica completa	1
30	99.1542.00	Vite M5x12 UNI 8112	4
31	93.5240.00	Fermacavo	1
32	99.0840.00	Vite Ø 3.5x13 UNI 7049	2
33	40.2145.47	Guarnizione scatola elettrica	1
34	93.5646.00	Condensatore 40 µF	1
35	92.8230.00	Clip ferma condensatore	1
36	10.7441.01	Cavo elettrico	1
37	99.1274.00	Vite M4x10 UNI 8112	1
38	96.6842.00	Rosetta Ø 4.3x8x0.5	1
39	93.5042.00	Interruttore	1
40	99.0845.00	Vite Ø 3.5x16 UNI 7049	4
41	90.1565.00	Anello rad. Ø 15x24x5	83
42	96.7070.00	Rosetta Ø 9x23x0.5	3
43	90.5022.00	Anello antiest. Ø 6.2x9x1.5	3
44	90.3573.00	OR Ø 5.28x1.78 (2021)	3
45	60.0400.09	Pistone Ø 15x30	3
46	44.2115.70	Rosetta Ø 8 con collare	3
47	92.2216.00	Dado M8x13x5 INOX	3
48	60.0800.70	Anello di fondo Ø 15	200-226
49	90.3604.00	OR Ø 25.12x1.78 (2100)	200-226
50	90.2608.00	Anello ten. alt. Ø 15x22x5	196-226
51	60.2160.70	Anello intermedio Ø 15	198-226
52	90.2620.00	Anello ten. alt. Ø 15x25x5/3.1	196-226
53	51.1000.51	Anello di testa Ø 15	196
54	60.1204.41	Testata Ø 15 con valvola	1
55	99.1950.00	Vite M6x45 UNI 5931	8
56	90.3841.00	OR Ø 17.13x2.62 (3068)	123
57	36.2003.66	Sede valvola	123

POS	COD.	DESCRIZIONE - DESCRIPTION - KIT	NR
58	36.2001.76	Valvola	123
59	94.7376.00	Molla Ø 9.4x14.8	123
60	36.2025.51	Guida valvola	123
61	90.3847.00	OR Ø 20.24x2.62 (3081)	267
62	98.2214.00	Tappo valvola M24x1.5	6
63	36.7115.01	Gruppo valvola aspiraz./mand.	123
64	90.3833.00	OR Ø 13.95x2.62 (3056)	1
65	10.0078.70	Nipplo G 3/8" per ugello iniettore	1
66	98.1966.00	Tappo G 1/8"x8	1
67	98.2057.00	Tappo M14x1x9	1
68	96.7514.00	Rosetta Ø 21.5x27x1.5	1
69	98.2176.00	Tappo G 1/2"x10	1
70	96.7380.00	Rosetta Ø 17.5x23x1.5	1
71	98.2100.00	Tappo G 3/8"x13	1
72	90.3823.00	OR Ø 9.92x2.62 (112)	267
73	36.0056.70	Distanziale sede valvola	267
74	90.3576.00	OR Ø 6.75x1.78 (106)	267
75	10.0085.66	Sede valvola	267
76	36.3239.66	Valvola	267
77	36.0055.70	Boccola	267
78	90.5007.00	Anello antiest. Ø 4x6.8x1.5	267
79	90.3569.00	OR Ø 3.69x1.78 (2015)	267
80	90.3570.00	OR Ø 4.48x1.78 (2018)	267
81	90.5020.00	Anello antiest. Ø 5.2x8x1.5	267
82	36.3237.70	Pistoncino di comando	267
85	94.7400.00	Molla Ø 11.8x28.5	267
86	36.0054.70	Pomolo	267
87	95.0190.00	Mot. 1.7 kW Gr.80 Completo	1
88	99.1261.00	Vite M4x4 UNI 5923	267

\*\* Fissare con Loctite 270 col. VERDE  
 \*\* Affix with Loctite 270 col. GREEN  
 \*\* Fixer avec de la Loctite 270 couleur VERT  
 \*\* Mit Loctite 270 GRÜN befestigen  
 \*\* Fijar con Loctite 270 col. VERDE  
 \*\* Fixar com Loctite 270 cor. VERDE

\* Fissare con Loctite 542 col. ROSSO o in alternativa Loxaleal 53-14  
 \* Affix with Loctite 542 col. RED or Loxaleal 53-14  
 \* Fixer avec de la Loctite 542 couleur ROUGE ou Loxaleal 53-14  
 \* Mit Loctite 542 ROT befestigen oder Loxaleal 53-14  
 \* Fijar con Loctite 542 col. ROJO o Loxaleal 53-14  
 \* Fixar com Loctite 542 cor. VERMELHA ou Loxaleal 53-14



# MISTING

## 51 SERIES

**Accoppiamento diretto – Direct drive**  
**Accouplement direct - Direktantrieb**  
**Acople directo – Conecte direto**

### KIT RICAMBI – SPARE KITS

KIT Nr.	KIT 83	KIT 86	KIT 96	KIT 97	KIT 123	KIT 157	KIT 267
Posizioni include Positions included	30	37 - 38 39	37 - 38 39 - 40 41	37 - 38 40 - 41	45 - 46 47 - 48 49 (52)	50 - 51	50 - 57 - 58 59 - 60 - 61 62 - 63 - 64 65 - 66 - 67 70 - 71 - 74
Nr. Pcs.	3	3	1	3	6	6	1

DIS. COD. 51.9578.00





# M51012 - M51022

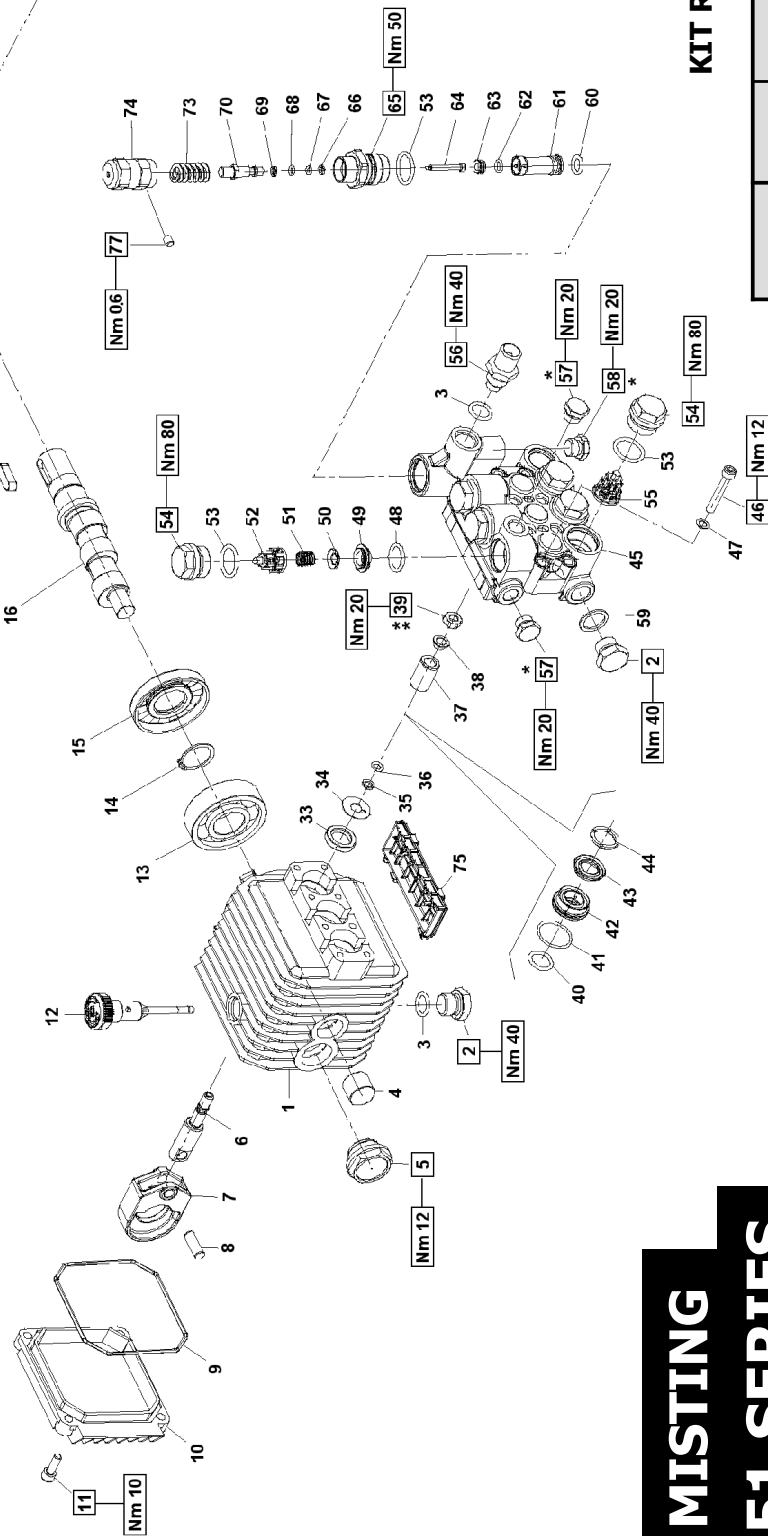
POS	COD.	DESCRIZIONE - DESCRIPTION - KIT	NR
1	51.0106.22	Carter pompa	1
2	98.2100.00	Tappo G 3/8"x13	2
3	90.3833.00	OR Ø 13,92x2.62 (3056)	2
4	91.8014.00	Boccola a rullini	1
5	97.5968.00	Spia livello olio G 3/4"x11.5	1
6	51.0500.56	Guida pistone	3
7	51.0301.22	Biella	3
8	97.7310.00	Spinotto Ø 8x24.5	3
9	90.3917.00	OR Ø 88.57x2.62 (3350)	1
10	51.1600.22	Coperchio posteriore carter	1
11	99.1867.00	Vite M6x18 UNI 5931 - Zinc.	4
12	98.2103.00	Tappo con asta G 3/8"x51	1
13	91.8328.00	Cuscinetto a sfere 6305	1
14	90.0635.00	Anello d'arresto Ø 25 UNI 7435	1
15	90.1641.00	Anello rad. Ø 25x62x10	1
16	51.0230.65 51.0220.65	Albero - M51022 Albero - M51012	1 1
17	91.4877.00	Linguetta 8x7x25 UNI 6604-A	1
18	99.1837.00	Vite M6x14 UNI 5931 Zinc.	1
19	95.0153.00 95.0133.00	Mot. mono. 0.8 kW Gr.71 - M51022 Mot. mono. 0.55 kW Gr.71 - M51012	1 1
20	38.2145.47	Guarnizione	1
21	38.2147.11	Scatola elettrica completa	1
22	99.1542.00	Vite M5x12 UNI 8112	4
23	38.2146.47	Guarnizione scatola elettrica	1
24	93.5627.00	Condensatore 16 µF	1
25	10.7441.01	Cavo elettrico	1

POS	COD.	DESCRIZIONE - DESCRIPTION - KIT	NR
26	99.1274.00	Vite M4x10 UNI 8112	1
27	96.6842.00	Rosetta Ø 4.3x8x0.5	1
28	93.5042.00	Interruttore	1
29	99.0845.00	Vite Ø 3.5x16 UNI 7049	2
30	90.1565.00	Anello rad. 15x24x5	83
31	96.7070.00	Rosetta Ø 9x23x0.5	3
32	90.5022.00	Anello antiest. Ø 6.2x9x1.5	3
33	90.3573.00	OR Ø 5.28x1.78 (2021)	3
34	51.0400.09	Pistone Ø 15x25	3
35	44.2115.70	Rosetta Ø 8 con collare	3
36	92.2216.00	Dado M8x13x5 - INOX	3
37	90.3835.00	OR Ø 15.08x2.62 (119)	86-96-97
38	90.3604.00	OR Ø 25.12x1.78 (2100)	86-96-97
39	51.0800.70	Anello di fondo Ø 15	86-96
40	90.2620.00	Anello ten. alt. Ø 15x25x5/3.1	96-97
41	51.1000.51	Anello di testa Ø 15	96-97
42	51.1201.41	Testata pompa Ø 15 con valvola	1
43	99.1943.00	Vite M6x40 UNI 5931 - Zinc.	8
44	96.6938.00	Rondella Ø 6.4x10x0.7	8
45	90.3841.00	OR Ø 17.13x2.62 (3068)	123
46	36.2003.66	Sede valvola	123
47	36.2001.76	Valvola	123
48	94.7376.00	Molla Ø 9.4x14.8	123
49	36.2025.51	Guida valvola	123
50	90.3847.00	OR Ø 20.24x2.62 (3081)	157-267
51	98.2216.00	Tappo M24x1.5x11.2	157
52	36.7115.01	Gruppo valvola aspiraz./mand.	123
53	10.0078.70	Nipplo G 3/8" per ugello iniettore	1
54	98.2041.00	Tappo G 1/4"x9	2
55	98.2057.00	Tappo M14x1x9	1
56	96.7380.00	Rosetta Ø 17.5x23x1.5	1
57	90.3823.00	OR Ø 9.92x2.62 (112)	267

POS	COD.	DESCRIZIONE - DESCRIPTION - KIT	NR
58	36.0056.70	Distanziale sede valvola	267
59	90.3576.00	OR Ø 6.75x1.78 (106)	267
60	10.0085.66	Sede valvola	267
61	36.3239.66	Valvola	267
62	36.0055.70	Boccola	267
63	90.5007.00	Anello antiest. Ø 4x6.8x1.5	267
64	90.3569.00	OR Ø 3.69x1.78 (2015)	267
65	90.3570.00	OR Ø 4.48x1.78 (2018)	267
66	90.5020.00	Anello antiest. Ø 5.2x8x1.5	267
67	36.3237.70	Pistoncino di comando	267
70	94.7400.00	Molla Ø 11.8x28.5	267
71	36.0054.70	Pomolo	267
72	51.2090.51	Protezione	1
73	95.0151.00 95.0131.00	Mot. 0.8 kW Gr.71 Completo - M51022 Mot. 0.55 kW Gr.71 Completo - M51012	1 1
74	99.1261.00	Vite M4x4 UNI 5923	267

**\*\* Fissare con Loctite 270 col. VERDE**  
**\*\* Affix with Loctite 270 col. GREEN**  
**\*\* Fixer avec de la Loctite 270 couleur VERT**  
**\*\* Mit Loctite 270 GRÜN befestigen**  
**\*\* Fijar con Loctite 270 col. VERDE**  
**\*\* Fixar com Loctite 270 cor. VERDE**

**\* Fissare con Loctite 542 col. ROSSO o in alternativa Loxeal 53-14**  
**\* Affix with Loctite 542 col. RED or Loxeal 53-14**  
**\* Fixer avec de la Loctite 542 couleur ROUGE ou Loxeal 53-14**  
**\* Mit Loctite 542 ROT befestigen oder Loxeal 53-14**  
**\* Fijar con Loctite 542 col. ROJO o Loxeal 53-14**  
**\* Fixar com Loctite 542 cor. VERMELHA ou Loxeal 53-14**



**MISTING**

**51 SERIES**

**Accoppiamento diretto – Direct drive**  
**Accouplement direct - Direktantrieb**  
**Acople directo – Conecte direto**

**KIT RICAMBI – SPARE KITS**

KIT Nr.	KIT 83	KIT 86	KIT 96	KIT 97	KIT 123	KIT 157	KIT 267
Posizioni include Positions included	33	40 - 41 42	40 - 41 42 - 43 44	40 - 41 43 - 44	48 - 49 50 - 51 52 (55)	53 - 54	53 - 60 - 61 62 - 63 - 64 65 - 66 - 67 68 - 69 - 70 73 - 74 - 77
Nr. Pcs.	3	3	1	3	6	6	1

**DIS. COD. 51.9580.00**



# M51042 - M51062

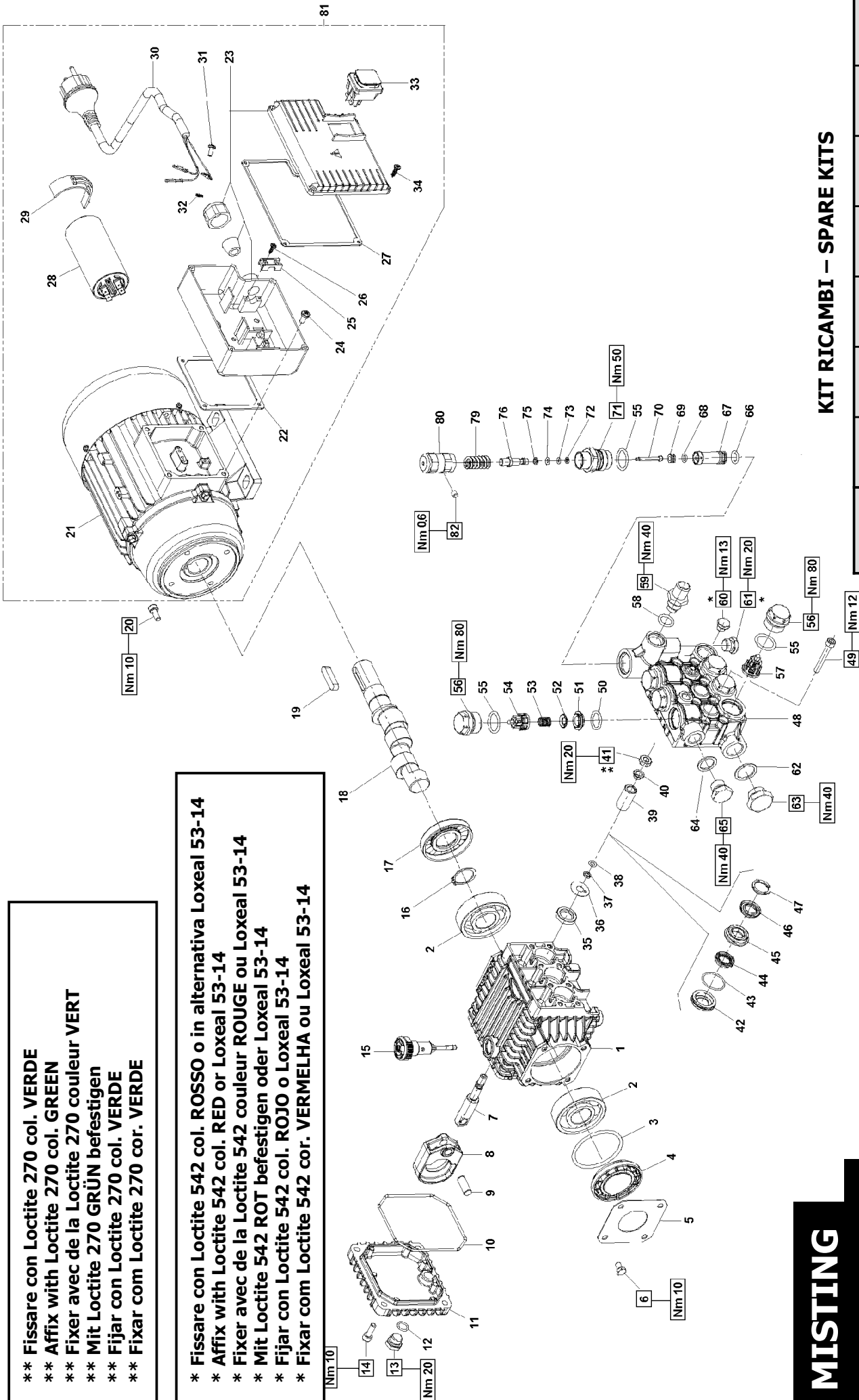
POS	COD.	DESCRIZIONE - DESCRIPTION - KIT	NR
1	51.0106.22	Carter pompa	1
2	98.2100.00	Tappo G 3/8"x13	2
3	90.3833.00	OR Ø 13,92x2.62 (3056)	2
4	91.8014.00	Boccola a rullini	1
5	97.5968.00	Spia livello olio G 3/4"x11.5	1
6	51.0500.56	Guida pistone	3
7	51.0301.22	Biella	3
8	97.7310.00	Spinotto Ø 8x24.5	3
9	90.3917.00	OR Ø 88.57x2.62 (3350)	1
10	51.1600.22	Coperchio posteriore carter	1
11	99.1867.00	Vite M6x18 UNI 5931 - Zinc.	4
12	98.2103.00	Tappo con asta G 3/8"x51	1
13	91.8328.00	Cuscinetto a sfere 6305	1
14	90.0635.00	Anello d'arresto Ø 25 UNI 7435	1
15	90.1641.00	Anello rad. Ø 25x62x10	1
16	51.0204.65 51.0200.65	Albero - M51062 Albero - M51042	1 1
17	91.4877.00	Linguetta 8x7x25 UNI 6604-A	1
18	99.1837.00	Vite M6x14 UNI 5931 - Zinc.	4
19	95.0193.00 95.0173.00	Mot. mono. 1.7 kW Gr.80 - M51062 Mot. mono. 1.15 kW Gr.80 - M51042	1 1
20	43.2103.47	Guarnizione	1
21	40.2146.11	Scatola elettrica completa	1
22	99.1542.00	Vite M5x12 UNI 8112	4
23	93.5240.00	Fernacavo	1
24	99.0840.00	Vite Ø 3.5x13 UNI 7049	2
25	40.2145.47	Guarnizione scatola elettrica	1

POS	COD.	DESCRIZIONE - DESCRIPTION - KIT	NR
26	93.5646.00 93.5630.00	Condensatore 40 µF - M51062 Condensatore 30 µF - M51042	1 1
27	92.8230.00	Clip ferma condensatore	1
28	10.7441.01	Cavo elettrico	1
29	99.1274.00	Vite M4x10 UNI 8112	1
30	96.6842.00	Rosetta Ø 4.3x8x0.5	1
31	93.5042.00	Interruttore	1
32	99.0845.00	Vite Ø 3.5x16 UNI 7049	2
33	90.1565.00	Anello rad. 15x24x5	83
34	96.7070.00	Rosetta Ø 9x23x0.5	3
35	90.5022.00	Anello antiest. Ø 6.2x9x1.5	3
36	90.3573.00	OR Ø 5.28x1.78 (2021)	3
37	51.0400.09	Pistone Ø 15x25	3
38	44.2115.70	Rosetta Ø 8 con collare	3
39	92.2216.00	Dado M8x13x5 - INOX	3
40	90.3835.00	OR Ø 15.08x2.62 (119)	86-96-97
41	90.3604.00	OR Ø 25.12x1.78 (2100)	86-96-97
42	51.0800.70	Anello di fondo Ø 15	86-96
43	90.2620.00	Anello ten. alt. Ø 15x25x5/3.1	96-97
44	51.1000.51	Anello di testa Ø 15	96-97
45	51.1201.41	Testata pompa Ø 15 con valvola	1
46	99.1943.00	Vite M6x40 UNI 5931 - Zinc.	8
47	96.6938.00	Rondella Ø 6.4x10x0.7	8
48	90.3841.00	OR Ø 17.13x2.62 (3068)	123
49	36.2003.66	Sede valvola	123
50	36.2001.76	Valvola	123
51	94.7376.00	Molla Ø 9.4x14.8	123
52	36.2025.51	Guida valvola	123
53	90.3847.00	OR Ø 20.24x2.62 (3081)	157-267
54	98.2216.00	Tappo M24x1.5x11.2	157
55	36.7115.01	Gruppo valvola aspiraz./mand.	123
56	10.0078.70	Nipplo G 3/8" per ugello iniettore	1

POS	COD.	DESCRIZIONE - DESCRIPTION - KIT	NR
57	98.2041.00	Tappo G 1/4"x9	2
58	98.2057.00	Tappo M14x1x9	1
59	96.7380.00	Rosetta Ø 17.5x23x1.5	1
60	90.3823.00	OR Ø 9.92x2.62 (112)	267
61	36.0056.70	Distanziale sede valvola	267
62	90.3576.00	OR Ø 6.75x1.78 (106)	267
63	10.0085.66	Sede valvola	267
64	36.3239.66	Valvola	267
65	36.0055.70	Boccola	267
66	90.5007.00	Anello antiest. Ø 4x6.8x1.5	267
67	90.3569.00	OR Ø 3.69x1.78 (2015)	267
68	90.3570.00	OR Ø 4.48x1.78 (2018)	267
69	90.5020.00	Anello antiest. Ø 5.2x8x1.5	267
70	36.3237.70	Pistoncino di comando	267
73	94.7400.00	Molla Ø 11.8x28.5	267
74	36.0054.70	Pomolo	267
75	51.2090.51	Protezione	1
76	95.0191.00 95.0171.00	Mot. 1.7 kW Gr.80 Completo - M51062 Mot. 1.15 kW Gr.80 Completo - M51042	1 1
77	99.1261.00	Vite M4x4 UNI 5923	267

\*\* Fissare con Loctite 270 col. VERDE  
 \*\* Affix with Loctite 270 col. GREEN  
 \*\* Fixer avec de la Loctite 270 couleur VERT  
 \*\* Mit Loctite 270 GRÜN befestigen  
 \*\* Fijar con Loctite 270 col. VERDE  
 \*\* Fixar com Loctite 270 cor. VERDE

\* Fissare con Loctite 542 col. ROSSO o in alternativa Loxeal 53-14  
 \* Affix with Loctite 542 col. RED or Loxeal 53-14  
 \* Fixer avec de la Loctite 542 couleur ROUGE ou Loxeal 53-14  
 \* Mit Loctite 542 ROT befestigen oder Loxeal 53-14  
 \* Fijar con Loctite 542 col. ROJO o Loxeal 53-14  
 \* Fixar com Loctite 542 cor. VERMELHA ou Loxeal 53-14



**MISTING**

**60 SERIES**

**Accoppiamento diretto – Direct drive**  
**Accouplement direct - Direktantrieb**  
**Acople directo – Conecte directo**

**KIT RICAMBI – SPARE KITS**

KIT Nr.	KIT 83	KIT 123	KIT 196	KIT 198	KIT 200	KIT 226	KIT 267
Posizioni include Positions included	35	50-51 52-53 64 (57)	44-46 47	45	42-43	42-43 44-45 46-47	55-66-67 68-69-70 71-72-73 74-75-76 79-80-82
Nr. Pcs.	3	6	3	3	3	1	1

DIS. COD. 60.9513.00

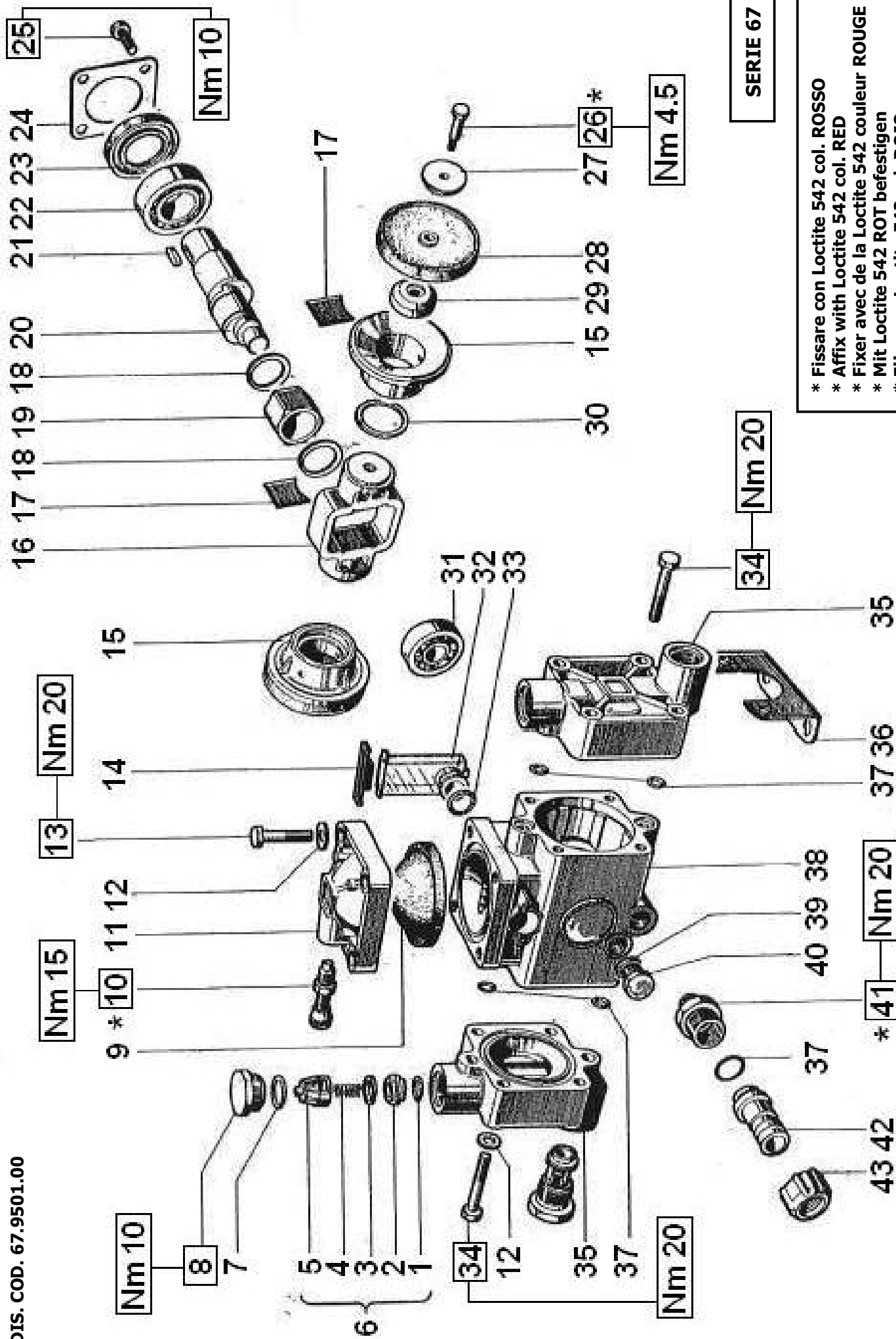


# M60082

POS	COD.	DESCRIZIONE - DESCRIPTION - KIT	NR
1	60.0100.22	Carter pompa	1
2	91.8328.00	Cuscinetto a sfere 6305	2
3	90.4097.00	OR Ø 55.56x3.53 (159)	1
4	44.2118.01	Distanziale con indicatore	1
5	50.1500.74	Coperchio carter	1
6	99.1807.00	Vite M6x10 UNI 5739 - Zinc.	4
7	60.0500.66	Guida pistone	3
8	60.0300.22	Biella	3
9	97.7333.00	Spinotto Ø 9x24.5	3
10	90.3918.00	OR Ø 94.92x2.62 (3375)	1
11	60.1600.22	Coperchio posteriore	1
12	90.3585.00	OR Ø 10.82x1.78 (2043)	1
13	98.2041.00	Tappo G 1/4"x9	1
14	99.1867.00	Vite M6x18 UNI 5931 - Zinc.	4
15	98.2103.00	Tappo con asta G 3/8"x51	1
16	90.0635.00	Anello d'arresto Ø 25 UNI 7435	1
17	90.1641.00	Anello rad. Ø 25x62x10	1
18	60.0217.65	Albero	1
19	91.4892.00	Linguetta 8x7x35	1
20	99.1837.00	Vite M6x14 UNI 5931 - Zinc.	4
21	95.0193.00	Mot. mono. 1.7 Kw Gr.80	1
22	43.2103.47	Guarnizione	1
23	40.2146.11	Scatola elettrica completa	1
24	99.1542.00	Vite M5x12 UNI 8112	4
25	93.5240.00	Fermacavo	1
26	99.0840.00	Vite Ø 3.5x13 UNI 7049	2

POS	COD.	DESCRIZIONE - DESCRIPTION - KIT	NR
27	40.2145.47	Guarnizione scatola elettrica	1
28	93.5646.00	Condensatore 40 µF	1
29	92.8230.00	Clip ferma condensatore	1
30	10.7441.01	Cavo elettrico	1
31	99.1274.00	Vite M4x10 UNI 8112	1
32	96.6842.00	Rosetta Ø 4.3x8x0.5	1
33	93.5042.00	Interruttore	1
34	99.0845.00	Vite Ø 3.5x16 UNI 7049	4
35	90.1565.00	Anello rad. Ø 15x24x5	83
36	96.7070.00	Rosetta Ø 9x23x0.5	3
37	90.5022.00	Anello antiest. Ø 6.2x9x1.5	3
38	90.3573.00	OR Ø 5.28x1.78 (2021)	3
39	60.0400.09	Pistone Ø 15x30	3
40	44.2115.70	Rosetta Ø 8 con collare	3
41	92.2216.00	Dado M8x13x5 INOX	3
42	60.0800.70	Anello di fondo Ø 15	200-226
43	90.3604.00	OR Ø 25.12x1.78 (2100)	200-226
44	90.2608.00	Anello ten. alt. Ø 15x22x5	196-226
45	60.2160.70	Anello intermedio Ø 15	198-226
46	90.2620.00	Anello ten. alt. Ø 15x25x5/3.1	196-226
47	51.1000.51	Anello di testa Ø 15	196
48	60.1204.41	Testata Ø 15 con valvola	1
49	99.1950.00	Vite M6x45 UNI 5931	8
50	90.3841.00	OR Ø 17.13x2.62 (3068)	123
51	36.2003.66	Sede valvola	123
52	36.2001.76	Valvola	123
53	94.7376.00	Molla Ø 9.4x14.8	123
54	36.2025.51	Guida valvola	123
55	90.3847.00	OR Ø 20.24x2.62 (3081)	267
56	98.2214.00	Tappo valvola M24x1.5	6
57	36.7115.01	Gruppo valvola aspiraz./mand.	123

POS	COD.	DESCRIZIONE - DESCRIPTION - KIT	NR
58	90.3833.00	OR Ø 13.95x2.62 (3056)	1
59	10.0078.70	Nipplo G 3/8" per ugello iniettore	1
60	98.1966.00	Tappo G 1/8"x8	1
61	98.2057.00	Tappo M14x1x9	1
62	96.7514.00	Rosetta Ø 21.5x27x1.5	1
63	98.2176.00	Tappo G 1/2"x10	1
64	96.7380.00	Rosetta Ø 17.5x23x1.5	1
65	98.2100.00	Tappo G 3/8"x13	1
66	90.3823.00	OR Ø 9.92x2.62 (112)	267
67	36.0056.70	Distanziale sede valvola	267
68	90.3576.00	OR Ø 6.75x1.78 (106)	267
69	10.0085.66	Sede valvola	267
70	36.3239.66	Valvola	267
71	36.0055.70	Boccola	267
72	90.5007.00	Anello antiest. Ø 4x6.8x1.5	267
73	90.3569.00	OR Ø 3.69x1.78 (2015)	267
74	90.3570.00	OR Ø 4.48x1.78 (2018)	267
75	90.5020.00	Anello antiest. Ø 5.2x8x1.5	267
76	36.3237.70	Pistoncino di comando	267
79	94.7400.00	Molla Ø 11.8x28.5	267
80	36.0054.70	Pomolo	267
81	95.0191.00	Mot. 1.7 kW Gr.80 Completo	1
82	99.1261.00	Vite M4x4 UNI 5923	267



SERIE 67

- \* Fissare con Loctite 542 col. ROSSO
- \* Affix with Loctite 542 col. RED
- \* Fixer avec de la Loctite 542 couleur ROUGE
- \* Mit Loctite 542 ROT befestigen
- \* Fijar con Loctite 542 col. ROJO
- \* Fixar com Loctite 542 cor. VERMELHA

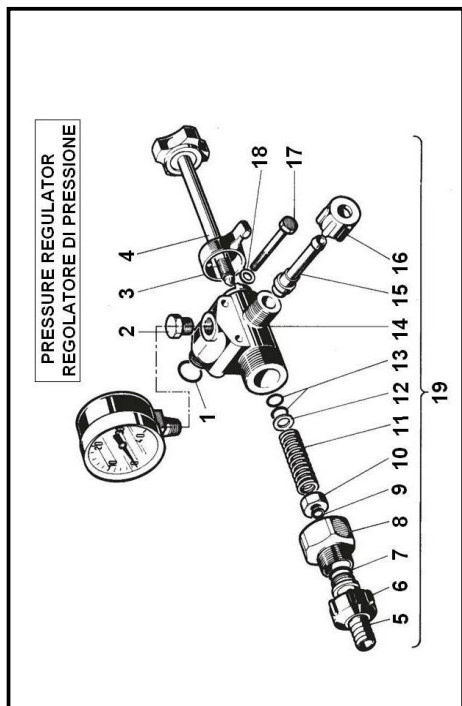
# T12

## KIT RICAMBI – SPARE KITS

KIT Nr.	KIT 33	KIT 34	KIT 35
Posizioni include Positions included	1 - 2 - 3 4 - 5 - 7 8 (6)	9 - 10 11	26 - 27 28 - 29
Nr. Pcs.	4	1	2

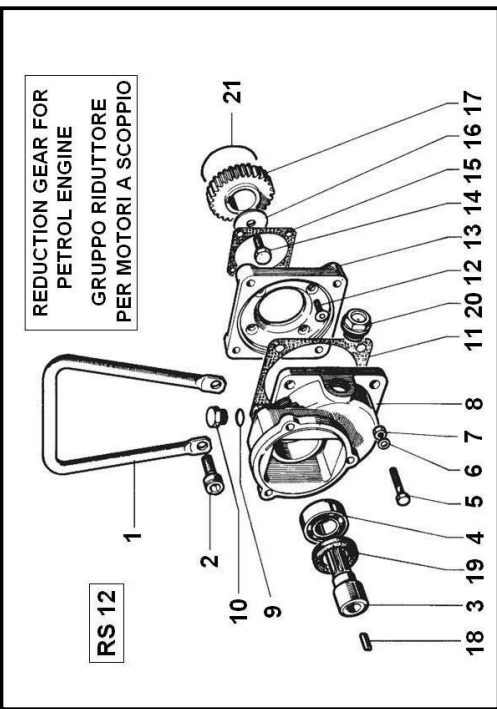
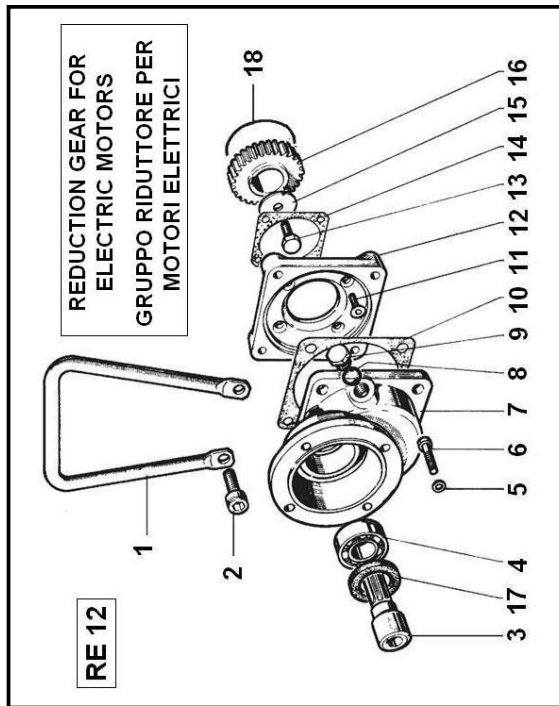
POS	COD.	DESCRIZIONE – DESCRIPTION - KIT	NR
25	99.1807.00	Vite M6x10 UNI 5739	4
26	67.2106.70	Vite fissaggio membrana	35
27	67.1100.51	Piattello superiore membrana	35
28	67.0900.47	Membrana pistone	35
29	67.0700.51	Piattello inferiore membrana	35
30	92.7743.00	Fascia elastica Ø 34	2
31	91.8020.00	Cuscinetto a sfere 6302	1
32	46.2103.51	Serbatoio carico olio	1
33	90.3833.00	OR Ø 13.95x2.62 (	1
34	99.3127.00	Vite M8x45 UNI 5737	8
35	67.1201.22	Testata pompa	2
37	90.3825.00	OR Ø 10.78x2.62 (	5
38	46.0100.22	Carter pompa	1
39	90.3585.00	OR Ø 10.82x1.178 (	1
40	98.2041.00	Tappo G 1/4"x9	1
41	95.2870.00	Niplo doppio G 3/8"x 3/4"	1
42	96.3305.00	Raccordo diritto Ø 16	1
43	92.9830.00	Galletto G 3/4"	1

POS	COD.	DESCRIZIONE – DESCRIPTION - KIT	NR
1	90.3841.00	OR Ø 17.13x2.62 (3068)	33
2	36.2003.66	Sede valvola	33
3	36.2001.76	Valvola	33
4	94.7376.00	Molla Ø 9.4x14.8	33
5	36.2002.51	Guida valvola	33
6	36.7032.01	Gruppo valvola aspiraz./mand.	33
7	90.3847.00	OR Ø 20.24x2.62 (3081)	33
8	98.2221.00	Tappo M24x2x15	33
9	46.1700.47	Membrana accumulatore	34
10	98.8650.00	Valvola aria	34
11	46.1802.22	Accumulatore di pressione	34
12	96.7020.00	Rosetta Ø 8.4x15x1.5 UNI 1736	12
13	99.3114.00	Vite M8x40 UNI 5737	4
14	46.2104.47	Coperchio serbatoio olio	1
15	67.0600.02	Camicia Ø 34	2
16	67.2102.22	Slitta con pistone Ø 34	1
17	46.2101.74	Piastrina di spinta	2
18	90.0634.00	Anello seeger Ø 25	2
19	46.2100.70	Anello comando slitta	1
20	46.0200.35	Albero ecc.	1
21	91.4870.00	Linguetta 8x7x15 UNI 6604	1
22	91.8325.00	Cuscinetto a sfere 6205	1
23	90.1639.00	Anello rad. Ø 25x52x7	1
24	46.1500.74	Coperchio carter	1
25	99.1807.00	Vite M6x10 UNI 5739	4



**KIT RICAMBI – SPARE KITS**

KIT Nr.	KIT 33
Posizioni include Positions included	4 - 8 - 9 12 - 13
Nr. Pcs.	4



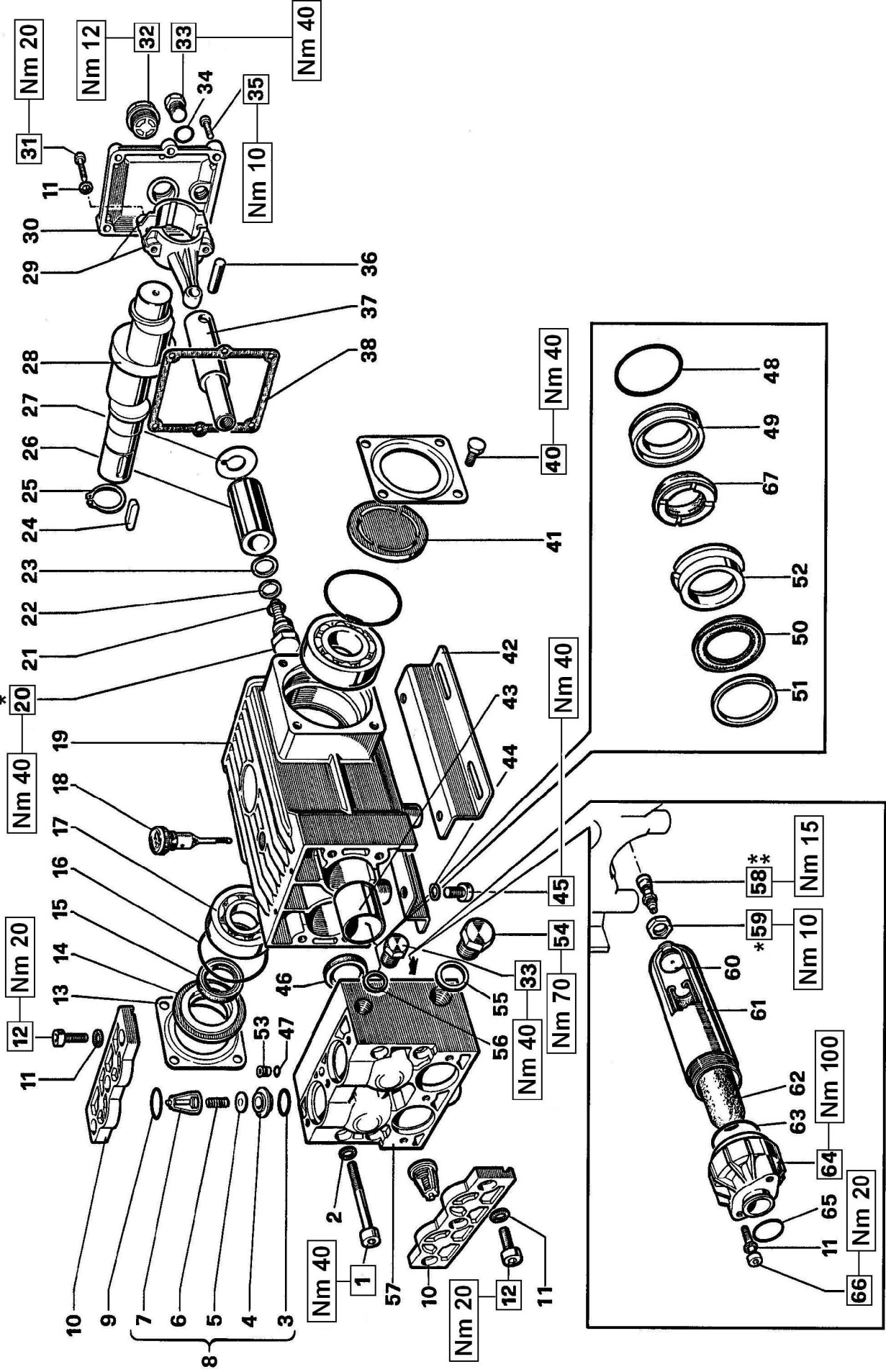
POS	COD.	DESCRIZIONE – DESCRIPTION - KIT	NR
1	90.3825.00	OR Ø 10.78x2.62 (3043)	1
2	98.1966.00	Tappo G 1/8"x8	1
3	36.0003.51	Leva	1
4	36.0002.02	Asta con pomolo	50
5	96.3275.00	Raccordo dritto Ø 12	1
6	92.9770.00	Galletto G 1/2"	1
7	90.3585.00	OR Ø 10.82x1.78 (2043)	1
8	36.0004.70	Sede valvola	50
9	90.0521.00	Anello seeger Ø 6 UNI 7435	50
10	92.2220.00	Dado M8x1.25	1
11	94.7386.00	Molla Ø 10.5x38	1
12	96.7010.00	Rosetta Ø 8.25x12x1	50
13	90.3578.00	OR Ø 7.66x1.78 (2031)	50
14	36.0000.51	Corpo valvola	1
15	96.3245.00	Raccordo dritto Ø 8	1
16	92.9750.00	Galletto G 3/8"	1
17	99.1642.00	Vite M5x40 UNI 5737	2
18	96.6880.00	Rosetta Ø 5x11x1	2
19	36.7002.01	Gruppo valvola reg. pressione	1

POS	COD.	DESCRIZIONE – DESCRIPTION - KIT	NR
1	67.2120.64	Manico	1
2	99.3652.00	Vite M10x20 UNI 6004	4
3	67.2117.65	Pignone Z10	1
4	91.8215.00	Cuscinetto a sfere 6604	1
5	96.6940.00	Rosetta Ø 6.4x12x1	4
6	99.1882.00	Vite M6x20 UNI 5739	4
7	67.2116.21	Carter riduttore	1
8	90.3585.00	OR Ø 10.82x1.78 (2043)	1
9	98.2041.00	Tappo G 1/4"x9	1
10	67.2113.84	Guarnizione carter	1
11	99.1850.00	Vite M6x16 UNI 5933	4
12	97.2109.22	Flangia	1
13	99.3037.00	Vite M8x16 UNI 5739	1
14	67.2112.84	Guarnizione flangia	1
15	96.7045.00	Rosetta Ø 8.5x32x2.5	1
16	67.2118.55	Corona Z35	1
17	90.1644.00	Anello rad. Ø 30x42x7	1
18	90.3885.00	OR Ø 45.69x2.62 (3181)	1

POS	COD.	DESCRIZIONE – DESCRIPTION - KIT	NR
1	67.2120.64	Manico	1
2	99.3652.00	Vite M10x20 UNI 5931	4
3	67.2110.65	Pignone Z10	1
4	91.8215.00	Cuscinetto a sfere 6004	1
5	99.1597.00	Vite M5x25 UNI 5737	3
6	96.6880.00	Rosetta Ø 5x11x1	3
7	92.1975.00	Dado M5x8x4 UNI 5588	3
8	67.2108.22	Carter riduttore	1
9	90.3585.00	OR Ø 10.82x1.78 (2043)	1
10	98.2041.00	Tappo G 1/4"x9	1
11	67.2113.84	Guarnizione carter	1
12	99.1850.00	Vite M6x16 UNI 5933	4
13	67.2109.22	Flangia	1
14	99.3037.00	Vite M8x16 UNI 5739	1
15	67.2112.84	Guarnizione flangia	1
16	96.7045.00	Rosetta Ø 8.5x32x2.5	1
17	67.2111.55	Corona Z58	1
18	91.4680.00	Linguetta 4x4x20 UNI 6604	1
19	90.1630.00	Anello rad. Ø 24x42x8	1
20	97.5936.00	Spia livello olio G 1/2"	1
21	90.3885.00	OR Ø 45.69x2.62 (3181)	1







SERIE 75

\* Fissare con Loctite 542 col. ROSSO  
 \* Affix with Loctite 542 col. RED  
 \* Fixer avec de la Loctite 542 couleur ROUGE  
 \* Mit Loctite 542 ROT befestigen  
 \* Fijar con Loctite 542 col. ROJO  
 \* Fixar com Loctite 542 cor. VERMELHA

\*\* Fissare con Loctite 270 col. VERDE  
 \*\* Affix with Loctite 270 col. GREEN  
 \*\* Fixer avec de la Loctite 270 couleur VERT  
 \*\* Mit Loctite 270 GRÜN befestigen  
 \*\* Fijar con Loctite 270 col. VERDE  
 \*\* Fixar com Loctite 270 cor. VERDE

DIS. COD. 75.9503.00

# T33

## KIT RICAMBI – SPARE KITS

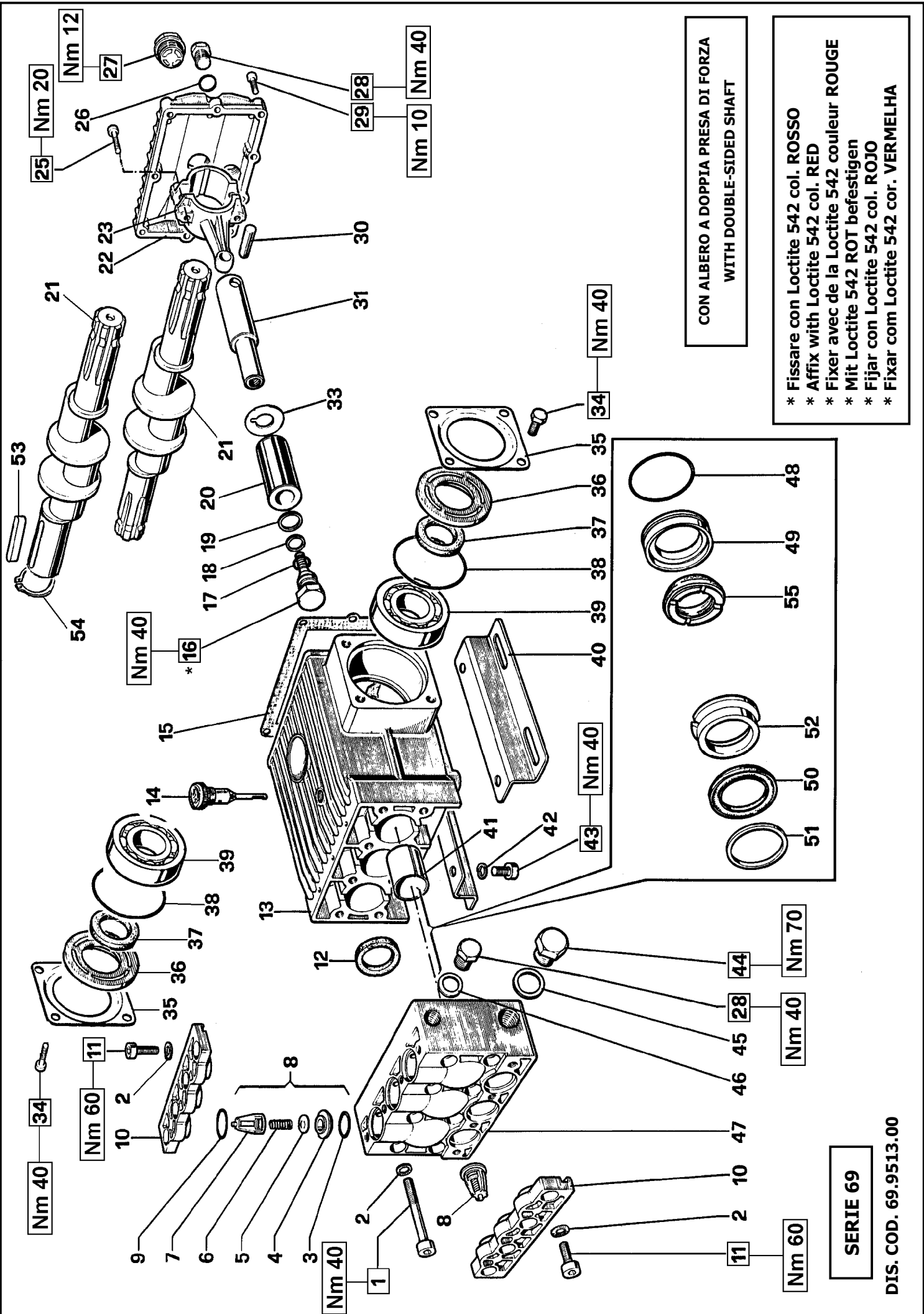
KIT Nr.	KIT 32	KIT 37	KIT 38	KIT 39	KIT 40	KIT 41	KIT 42	KIT 62	KIT 74
Posizioni include Positions included	15	46	50 - 67	48 - 49 50 - 51 52 - 67	48 - 49	51	52	3 - 4 5 - 6 7 (8)	20 - 21 22 - 23
Nr. Pcs.	2	3	3	1	1	6	3	6	3

## DISTINTA – SPARE PARTS

POS	COD.	DESCRIZIONE – DESCRIPTION - KIT	NR
1	99.3787.00	Vite M10x80 UNI 5931	4
2	96.7104.00	Rosetta Ø 10.5x16x1	4
3	90.3859.00	OR Ø 25.07x2.62 (3100)	62
4	36.2017.66	Sede valvola	62
5	36.2018.76	Valvola	62
6	94.7394.00	Molla Ø 10.7x22.5	62
7	36.2008.51	Guida valvola	62
8	36.7060.01	Gruppo valvola aspiraz./mand.	62
9	90.4055.00	OR Ø 29.75x3.53 (4118)	4
10	75.2180.22	Coperchio valvole	2
11	96.7014.00	Rosetta Ø 8,4x13x0.8	12
12	99.3059.00	Vite M8x20 UNI 5931	6
13	68.1500.74	Coperchio carter	2
14	69.2115.51	Distanziale	1
15	90.1672.00	Anello rad. Ø 35x52x8	32
16	90.4131.00	OR Ø 73.03x3.53 (176)	2
17	91.8470.00	Cuscinetto a sfere 6207	2
18	98.2106.00	Tappo carico olio	1
19	75.0100.22	Carter pompa	1
20	69.2195.66	Vite fissaggio pistone	74
21	90.3841.00	OR Ø 17.13x2.62 (3068)	74
22	90.5107.00	Anello antiest. Ø 17.4x22x1.5	74

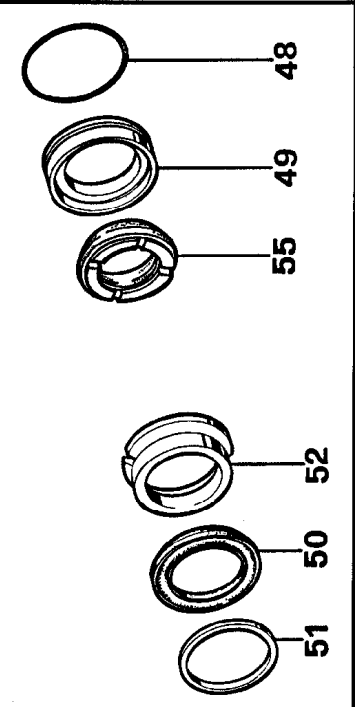
POS	COD.	DESCRIZIONE – DESCRIPTION - KIT	NR
23	96.7555.00	Rosetta Ø 22x27x0.5	74
24	91.4878.00	Linguetta 8x7x25 UNI 6604	1
25	90.0695.00	Anello seeger Ø 35 UNI 7435	1
26	69.0400.09	Pistone Ø 36	2
27	96.7565.00	Rosetta Ø 22.3x42x0.5	2
28	75.0203.35 75.0205.35 75.0308.35	Albero ecc. Ø 35 Albero ecc. 1" 3/8 Albero ecc. 1" 3/8 – Ø 35	1 1 1
29	69.0300.01	Biella completa	2
30	75.1600.22	Coperchio carter	1
31	99.3099.00	Vite M8x35 UNI 5931	4
32	97.5968.00	Spia livello olio G 3/4"	1
33	98.2100.00	Tappo G 3/8"x13	2
34	90.3833.00	OR Ø 13.95x2.62 (3056)	1
35	99.1867.00	Vite M6x18 UNI 5931	6
36	97.7398.00	Spinotto Ø 14x31.5	2
37	69.0500.22	Guida pistone	2
38	75.2119.84	Guarnizione coperchio	1
40	99.3636.00	Vite M10x16 UNI 5739	8
41	69.2116.51	Distanziale	1
42	47.2000.74	Piedino pompa	2
43	90.9162.00	Boccola Ø 32x36x40	2
44	96.7106.00	Rosetta Ø 10.2x16.1x2.5	4
45	99.3644.00	Vite M10x18 UNI 5931	4

POS	COD.	DESCRIZIONE – DESCRIPTION - KIT	NR
46	90.1656.00	Anello rad. Ø 32x42x7	37
47	90.3576.00	OR Ø 6.75x1.78 (106)	1
48	90.3885.00	OR Ø 45.69x2.62 (3181)	39-40
49	69.0802.70	Anello di fondo Ø 36	39-40
50	90.2820.00	Anello ten. alt. Ø36x48x6/3.5 HP 38-39	2
51	69.1002.93	Anello di testa Ø 36	39-41
52	69.2168.70	Anello intermedio Ø 36	39-42
53	75.2203.70	Tappo	1
54	98.2265.00	Tappo G 3/4"x16	1
55	96.7700.00	Rosetta Ø 26.5x32x1.5	1
56	96.7380.00	Rosetta Ø 17.5x23x1.5	1
57	75.1200.22	Testata pompa	1
58	98.8650.00	Valvola aria G 1/8"x11.5	1
59	92.2562.00	Dado M16x1.5x20x4.5	1
60	75.2105.70	Vite fissaggio membrana	1
61	75.1800.89	Accumulatore superiore	1
62	75.1700.47	Membrana accumulatore	1
63	90.4077.00	OR Ø 44.45x3.53 (149)	1
64	75.1900.64	Accumulatore inferiore	1
65	90.4041.00	OR Ø 20.22x3.53 (4081)	1
66	99.3084.00	Vite M8x30 UNI 5931	2
67	90.2823.00	Anello ten. alt. Ø 36x48x7.5 LP 38-39	2



CON ALBERO A DOPPIA PRESA DI FORZA  
WITH DOUBLE-SIDED SHAFT

- \* Fissare con Loctite 542 col. ROSSO
- \* Affix with Loctite 542 col. RED
- \* Fixer avec de la Loctite 542 couleur ROUGE
- \* Mit Loctite 542 ROT befestigen
- \* Fijar con Loctite 542 col. ROJO
- \* Fixar com Loctite 542 cor. VERMELHA



**SERIE 69**

DIS. COD. 69.9513.00

# T44 - T55

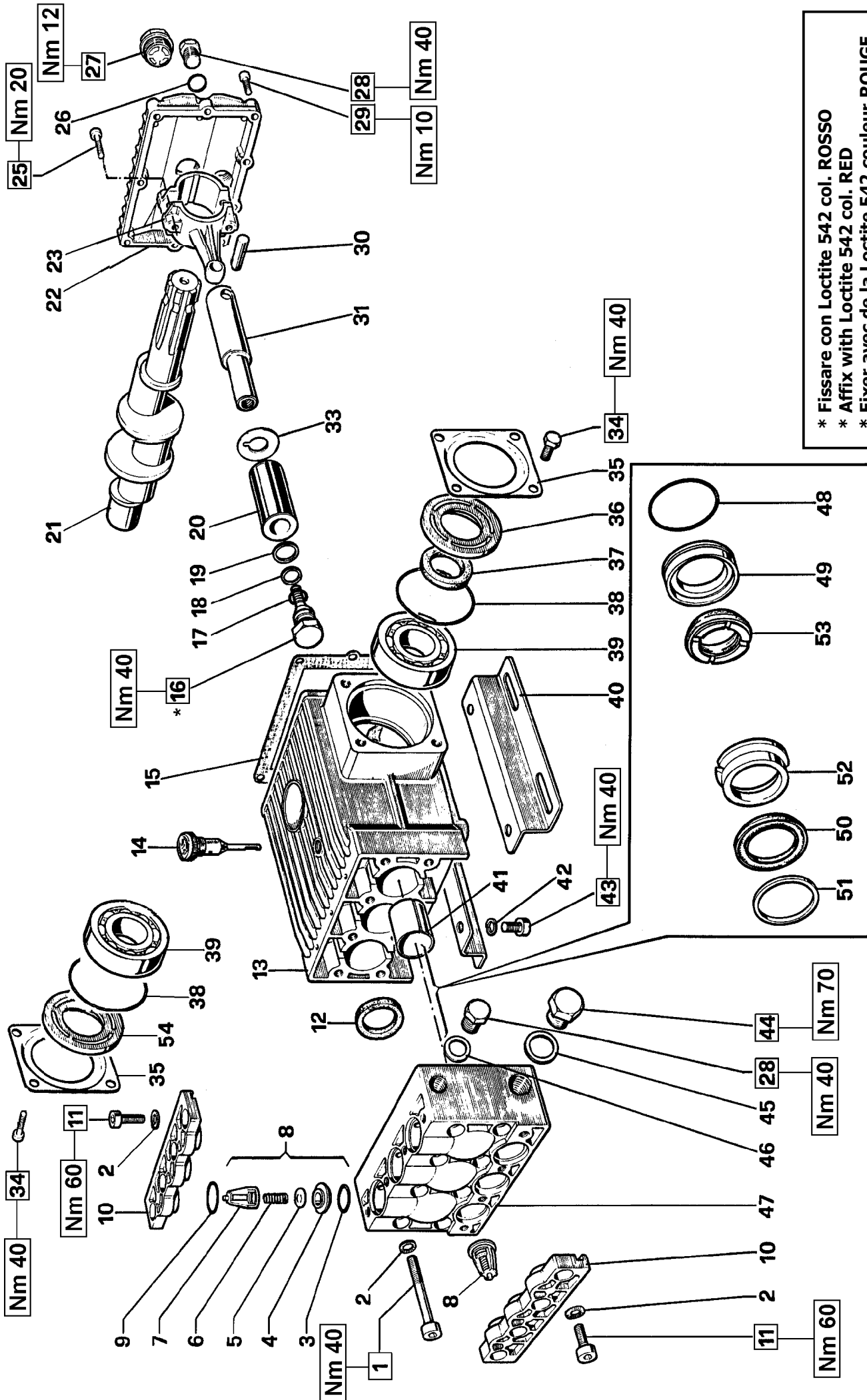
## KIT RICAMBI - SPARE KITS

KIT Nr.	KIT 32	KIT 37	KIT 38	KIT 39	KIT 40	KIT 41	KIT 42	KIT 62	KIT 74
Posizioni incluse Positions included	37	12	50 - 55	48 - 49 50 - 51 52 - 55	48 - 49	51	52	3 - 4 5 - 6 7 (8)	16 - 17 18 - 19
Nr. Pcs.	2	3	3	1	3	6	3	6	3

POS	COD.	DESCRIZIONE - DESCRIPTION - KIT	NR
23	69.0300.01	Biella - Completa	3
25	99.3099.00	Vite M8x35 UNI 5931	6
26	90.3833.00	OR Ø 13.95x2.62 (3056)	1
27	97.5968.00	Spia livello olio G 3/4"	1
28	98.2100.00	Tappo G 3/8"x13	2
29	99.1867.00	Vite M6x18 UNI 5931	9
30	97.7398.00	Spinotto Ø 14x31.5	3
31	69.0500.22	Guida pistone	3
33	96.7565.00	Rosetta Ø 22.3x41x2x0.5	3
34	90.3636.00	Vite M10x19 UNI 5739	8
35	68.1500.74	Coperchio laterale carter	2
36	69.2115.51	Distanziale	2
37	90.1672.00	Anello rad. Ø 35x52x8	32
38	90.4131.00	OR Ø 73.03x3.53 (176)	2
39	91.8480.00	Cuscinetto a sfere 6307	2
40	47.2000.74	Piedino pompa	2
41	90.9162.00	Boccola Ø 32x36x40	3
42	96.7106.00	Rosetta Ø 10.2 DIN 7980	4
43	99.3644.00	Vite M10x18 UNI 5931	4
44	98.2265.00	Tappo G 3/4"x16	1
45	96.7700.00	Rosetta Ø 26.5x32x1.5	1
46	96.7380.00	Rosetta Ø 17.5x23x1.5	1

POS	COD.	DESCRIZIONE - DESCRIPTION - KIT	NR
47	69.1200.22	Testata pompa	1
48	90.3885.00	OR Ø 45.69x2.62 (3181)	39-40
49	69.0802.70	Anello di fondo Ø 36	39-40
50	90.2820.00	Anello ten. alt. Ø 36x48x6/3.5 HP 38-39	3
51	69.1002.93	Anello di testa Ø 36	39-41
52	69.2168.70	Anello intermedi Ø 36	39-42
53	91.4969.00	Linguetta 10x8x40 Uni 6604	1
54	90.0695.00	Anello seeger Ø 35 UNI 7435	1
55	90.2823.00	Anello ten. alt. Ø 36x48x7.5 LP	38-39

POS	COD.	DESCRIZIONE - DESCRIPTION - KIT	NR
1	99.3787.00	Vite M10x80 UNI 5931	8
2	96.7104.00	Rosetta Ø 10.5x16x1	16
3	90.3859.00	OR Ø 25.07x2.62 (3100)	62
4	36.2017.66	Sede valvola	62
5	36.2018.76	Valvola	62
6	94.7394.00	Molla Ø 10.7x22.5	62
7	36.2008.51	Guida valvola	62
8	36.7060.01	Gruppo valvola aspiraz./mandata	62
9	90.4055.00	OR Ø 29.75x3.53 (4118)	6
10	69.2180.22	Coperchio valvole	2
11	99.3671.00	Vite M10x25 UNI 5931	8
12	90.1656.00	Anello rad. Ø 32x42x7	37
13	69.0100.22	Carter pompa	1
14	98.2106.00	Tappo carico olio G 3/8"	1
15	69.2119.84	Guarnizione coperchio posteriore	1
16	69.2195.66	Vite fissaggio pistone	74
17	90.3841.00	OR Ø 17.13x2.62 (3068)	74
18	90.5107.00	Anello antiest. Ø 17.4x22x1.5	74
19	96.7555.00	Rosetta Ø 22x27x0.5	74
20	69.0400.09	Pistone Ø 36x60	3
21	69.0200.35 69.0207.35	Albero ecc. C.24 - 1"3/8 - 1"3/8 Albero ecc. C.24 - 1"3/8 - Ø 35	1 1
22	69.1600.22	Coperchio posteriore carter	1



\* Fissare con Loctite 542 col. ROSSO  
 \* Affix with Loctite 542 col. RED  
 \* Fixer avec de la Loctite 542 couleur ROUGE  
 \* Mit Loctite 542 ROT befestigen  
 \* Fijar con Loctite 542 col. ROJO  
 \* Fixar com Loctite 542 cor. VERMELHA

**SERIE 69**

# T44 - T55



## KIT RICAMBI - SPARE KITS

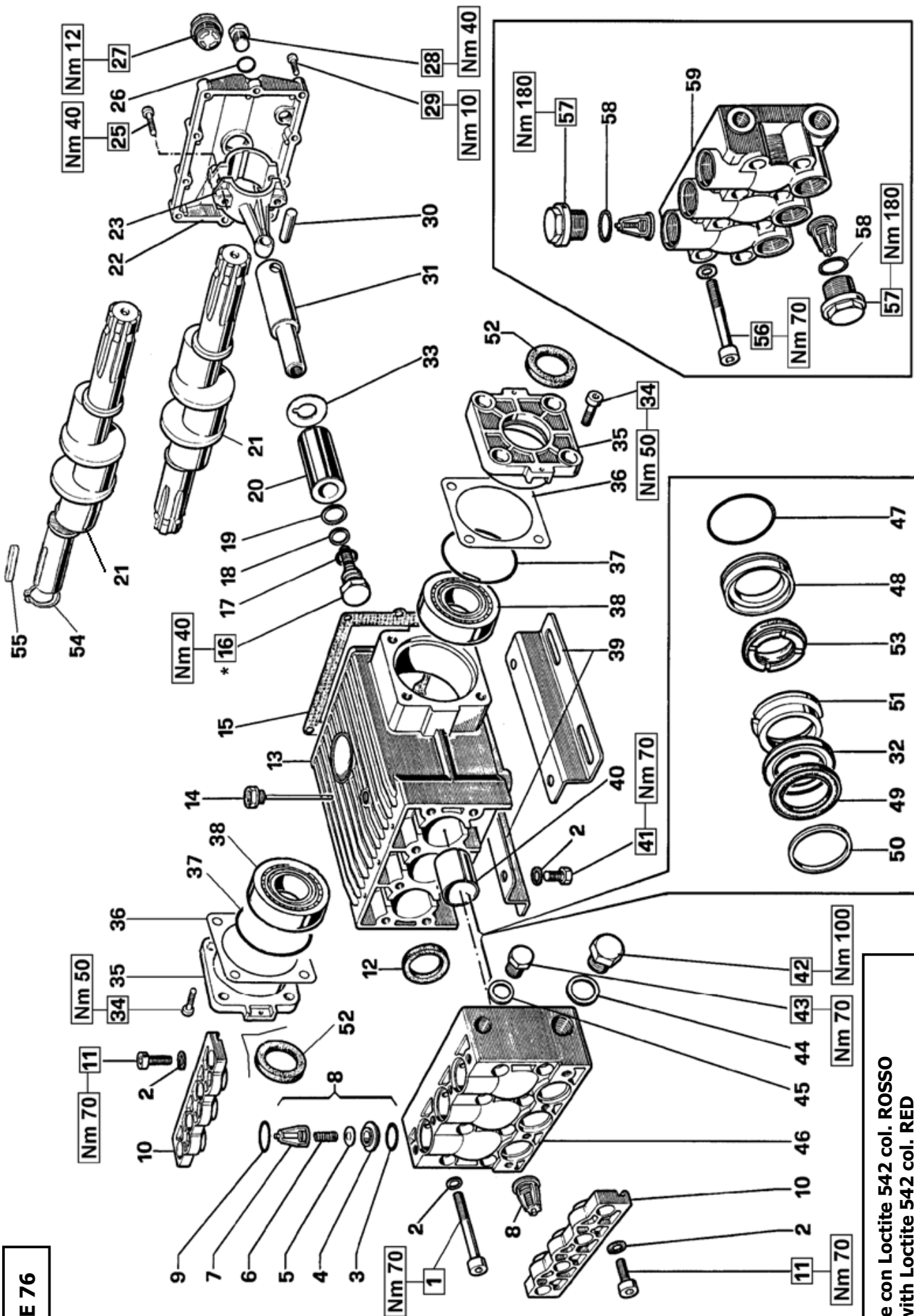
KIT Nr.	KIT 32	KIT 37	KIT 38	KIT 39	KIT 40	KIT 41	KIT 42	KIT 62	KIT 74
Posizioni incluse Positions included	37	12	50 - 55	48 - 49 50 - 51 52 - 55	48 - 49	51	52	3 - 4 5 - 6 7 (8)	16 - 17 18 - 19
Nr. Pcs.	2	3	3	1	3	6	3	6	3

POS	COD.	DESCRIZIONE - DESCRIPTION - KIT	NR
1	99.3787.00	Vite M10x80 UNI 5931	8
2	96.7104.00	Rosetta Ø 10.5x16x1	16
3	90.3859.00	OR Ø 25.07x2.62 (3100)	62
4	36.2017.66	Sede valvola	62
5	36.2018.76	Valvola	62
6	94.7394.00	Molla Ø 10.7x22.5	62
7	36.2008.51	Guida valvola	62
8	36.7060.01	Gruppo valvola aspiraz./mandata	62
9	90.4055.00	OR Ø 29.75x3.53 (4118)	6
10	69.2180.22	Coperchio valvole	2
11	99.3671.00	Vite M10x25 UNI 5931	8
12	90.1656.00	Anello rad. Ø 32x42x7	37
13	69.0100.22	Carter pompa	1
14	98.2106.00	Tappo carico olio G 3/8"	1
15	69.2119.84	Guarnizione coperchio posteriore	1
16	69.2195.66	Vite fissaggio pistone	74
17	90.3841.00	OR Ø 17.13x2.62 (3068)	74
18	90.5107.00	Anello antiest. Ø 17.4x22x1.5	74
19	96.7555.00	Rosetta Ø 22x27x0.5	74
20	69.0400.09	Pistone Ø 36x60	3
21	69.0203.35	Albero ecc. C.24 - 1"3/8	1
22	69.1600.22	Coperchio posteriore carter	1

POS	COD.	DESCRIZIONE - DESCRIPTION - KIT	NR
23	69.0300.01	Biella - Completa	3
25	99.3099.00	Vite M8x35 UNI 5931	6
26	90.3833.00	OR Ø 13.95x2.62 (3056)	1
27	97.5968.00	Spia livello olio G 3/4"	1
28	98.2100.00	Tappo G 3/8"x13	2
29	99.1867.00	Vite M6x18 UNI 5931	9
30	97.7398.00	Spinotto Ø 14x31.5	3
31	69.0500.22	Guida pistone	3
33	96.7565.00	Rosetta Ø 22.3x41x0.5	3
34	90.3636.00	Vite M10x19 UNI 5739	8
35	68.1500.74	Coperchio laterale carter	2
36	69.2115.51	Distanziale	1
37	90.1672.00	Anello rad. Ø 35x52x8	32
38	90.4131.00	OR Ø 73.03x3.53 (176)	2
39	91.8480.00	Cuscinetto a sfere 6307	2
40	47.2000.74	Piedino pompa	2
41	90.9162.00	Boccola Ø 32x36x40	3
42	96.7106.00	Rosetta Ø 10.2 DIN 7980	4
43	99.3644.00	Vite M10x18 UNI 5931	4
44	98.2265.00	Tappo G 3/4"x16	1
45	96.7700.00	Rosetta Ø 26.5x32x1.5	1
46	96.7380.00	Rosetta Ø 17.5x23x1.5	1

POS	COD.	DESCRIZIONE - DESCRIPTION - KIT	NR
47	69.1200.22	Testata pompa	1
48	90.3885.00	OR Ø 45.69x2.62 (3181)	39-40
49	69.0802.70	Anello di fondo Ø 36	39-40
50	90.2820.00	Anello ten. alt. Ø 36x48x6/3.5 HP	38-39
51	69.1002.93	Anello di testa Ø 36	39-41
52	69.2168.70	Anello intermedi Ø 36	39-42
53	90.2823.00	Anello ten. alt. Ø 36x48x7.5 LP	38-39
54	69.2116.51	Distanziale	1

**SERIE 76**



**CON ALBERO A DOPPIA PRESA DI FORZA  
WITH DOUBLE-SIDED SHAFT**

\* Fissare con Loctite 542 col. ROSSO  
 \* Affix with Loctite 542 col. RED  
 \* Fixer avec de la Loctite 542 couleur ROUGE  
 \* Mit Loctite 542 ROT befestigen  
 \* Fijar con Loctite 542 col. ROJO  
 \* Fixar com Loctite 542 cor. VERMELHA



# T77 - T88

## KIT RICAMBI - SPARE KITS

KIT Nr.	KIT 32	KIT 43	KIT 44	KIT 47	KIT 48	KIT 74	KIT 79	KIT 80	KIT 81
Posizioni include Positions included	52	3 - 4 5 - 6 - 7 (8)	12	48 - 49	50	16 - 17 18 - 19	32 - 49 60	32 - 47 48 - 49 50 - 51 60	32 - 51
Nr. Pcs.	2	6	3	3	6	3	3	1	3

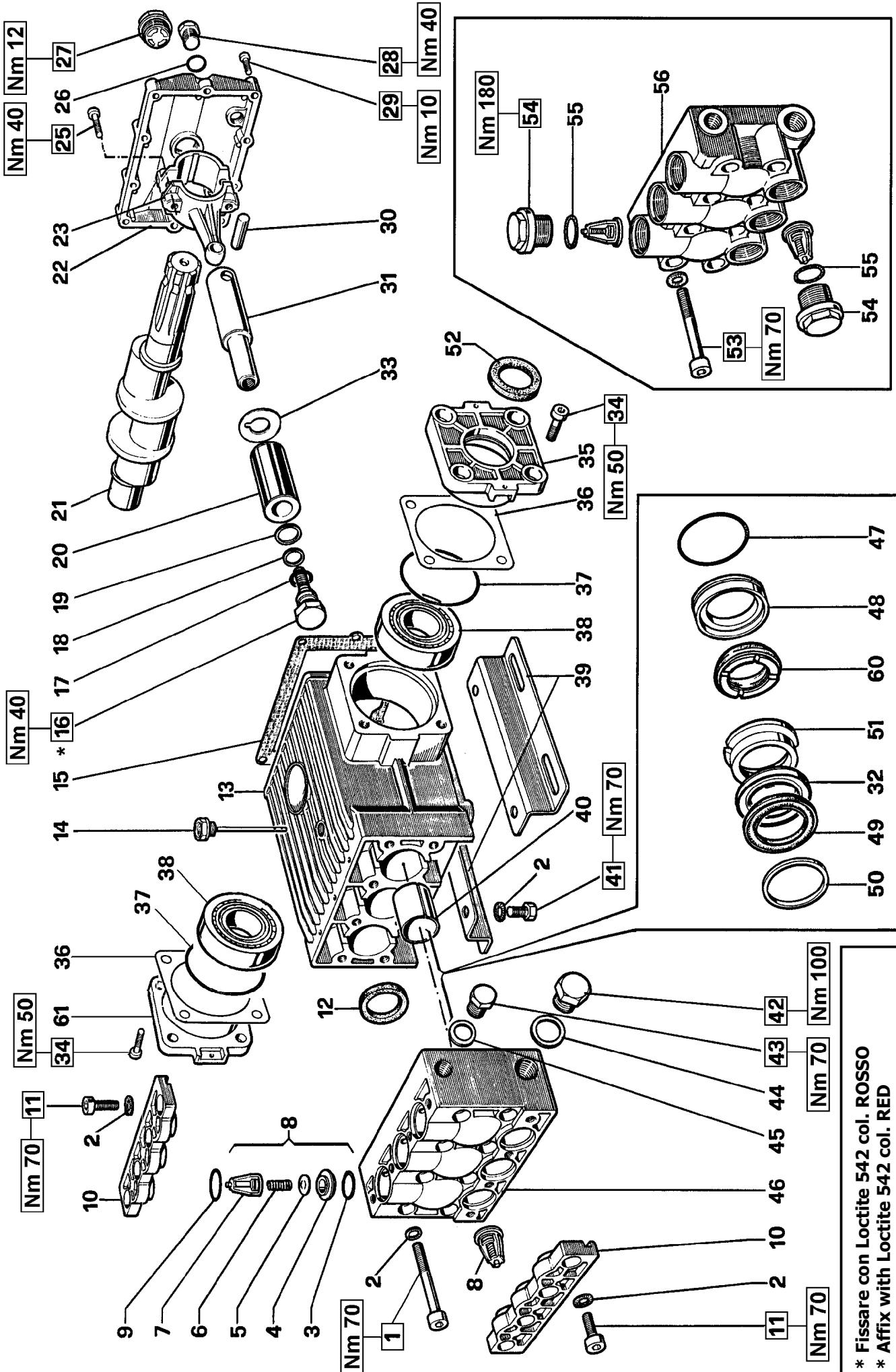
POS	COD.	DESCRIZIONE - DESCRIPTION - KIT	NR
23	76.0303.01	Biella - Completa	3
25	99.3720.00	Vite M10x45 UNI 5931 - Zinc.	6
26	90.3833.00	OR Ø 13.95x2.62 (3056)	2
27	97.5968.00	Spia livello olio G3/4"	1
28	98.2100.00	Tappo G3/8"x13	2
29	99.1897.00	Vite M6x25 UNI 5931 - Zinc.	10
30	97.7400.00	Spinotto Ø 14x34.5	3
31	77.0500.22	Guida pistone	3
32	90.2848.00	Anello RESTOP Ø 45x60x6.5/3 79-80-81	3
33	96.7568.00	Rosetta Ø 22.3x51x0.5	3
34	99.3652.00	Vite M10x20 UNI 5931	8
35	76.1500.22	Coperchio laterale carter	2
36	76.2200.78	Spessore	4
37	90.4141.00	OR Ø 85.32x3.53 (4337)	2
38	91.8473.00	Cuscinetto a rulli 32207	2
39	76.2000.74	Piedino	2
40	90.9174.00	Boccola Ø 35x39x50	3
41	99.4266.00	Vite M12x25 UNI 5739 - Zinc.	4
42	98.2325.00	Tappo G1"x17	1
43	98.2265.00	Tappo G3/4"x16	1
44	96.7870.00	Rosetta Ø 33.5x38x1.5	1
45	96.7700.00	Rosetta Ø 26.5x32x1.5	1

POS	COD.	DESCRIZIONE - DESCRIPTION - KIT	NR
46	76.1200.22	Testata Ø 45 - NICKEL	1
47	90.3903.00	OR Ø 60x2.62 (3237)	3
48	76.0802.70	Anello di fondo Ø 45	3
49	90.2850.00	Anello ten. alt. Ø 45x60x7.5/4.5 HP 79-80	3
50	76.1002.51	Anello di testa Ø 45	3
51	76.2170.70	Anello intermedio Ø 45	3
52	90.1672.00	Anello rad. Ø 35x52x8	32
53	90.2855.00	Anello ten. alt. Ø 45x60x9 LP 79-80	3
54	90.0695.00	Anello d'arresto Ø 35 UNI 7435	1
55	91.4978.00	Linguetta 10x8x55 UNI 7435	1

POS	COD.	DESCRIZIONE - DESCRIPTION - KIT	NR
1	99.4400.00	Vite M12x80 UNI 5931 - Zinc.	8
2	96.7195.00	Rosetta Ø 13x18x1.1	20
3	90.4059.00	OR Ø 32.93x3.53 (4131) - Spec.	43
4	36.2011.66	Sede valvola	43
5	36.2010.76	Valvola	43
6	94.7450.00	Molla Ø 16x27.5	43
7	36.2009.51	Guida valvola	43
8	36.7065.01	Gruppo valvola aspiraz./mand.	43
9	90.4067.00	OR Ø 36.69x3.53 (144)	6
10	76.2180.22	Coperchio valvole	2
11	99.4280.00	Vite M12x30 UNI 5931 - Zinc.	8
12	90.1670.00	Anello rad. Ø 35x52x7	44
13	76.0100.22	Carter pompa	1
14	98.2270.00	Tappo carico olio G 3/4"	1
15	76.2119.84	Guarnizione coperchio posteriore	1
16	69.2195.66	Vite fissaggio pistone	74
17	90.3841.00	OR Ø 17.13x2.62 (3068)	74
18	90.5107.00	Anello antiest. Ø 17.4x22x1.5	74
19	96.7555.00	Rosetta Ø 22x27x0.5	74
20	76.0402.09	Pistone Ø 45x70	3
21	76.0201.35 76.0207.35	Albero - 1"3/8 - 1"3/8 Albero - 1"3/8 - Ø 35	1 1
22	76.1600.22	Coperchio posteriore carter	1

### VERSIONE CON TESTATA IN OTTONE BRASS MANIFOLD VERSION

56	99.4418.00	Vite M12x90 UNI	8
57	98.2420.00	Tappo M42x1.5x23	6
58	90.4065.00	OR Ø 37.69x3.53 (4150)	6
59	76.1200.41	Testata Ø 45	1



SERIE 76

\* Fissare con Loctite 542 col. ROSSO  
 \* Affix with Loctite 542 col. RED  
 \* Fixer avec de la Loctite 542 couleur ROUGE  
 \* Mit Loctite 542 ROT befestigen  
 \* Fijar con Loctite 542 col. ROJO  
 \* Fixar com Loctite 542 cor. VERMELHA

## KIT RICAMBI – SPARE KITS

KIT Nr.	KIT 32	KIT 43	KIT 44	KIT 47	KIT 48	KIT 74	KIT 79	KIT 80	KIT 81
Posizioni include Positions included	52	3 - 4 5 - 6 - 7 (8)	12	48 - 49	50	16 - 17 18 - 19	32 - 49 60	32 - 47 48 - 49 50 - 51 60	32 - 51
Nr. Pcs.	2	6	3	3	6	3	3	1	3

# T77 – T88

POS	COD.	DESCRIZIONE – DESCRIPTION – KIT	NR
23	76.0303.01	Biella – Completa	3
25	99.3720.00	Vite M10x45 UNI 5931 – Zinc.	6
26	90.3833.00	OR Ø 13.95x2.62 (3056)	2
27	97.5968.00	Spia livello olio G 3/4"	1
28	98.2100.00	Tappo G3/8"x13	2
29	99.1897.00	Vite M6x25 UNI 5931 – Zinc.	10
30	97.7400.00	Spinotto Ø 14x34.5	3
31	77.0500.22	Guida pistone	3
32	90.2848.00	Anello RESTOP Ø 45x60x6.5/3 79-80-81	3
33	96.7568.00	Rosetta Ø 22.3x51x0.5	3
34	99.3652.00	Vite M10x20 UNI 5931	3
35	76.1500.22	Coperchio laterale carter	1
36	76.2200.78	Spessore	4
37	90.4141.00	OR Ø 85.32x3.53 (4337)	2
38	91.8473.00	Cuscinetto a rulli 32207	2
39	76.2000.74	Piedino	2
40	90.9174.00	Boccola Ø 35x39x50	3
41	99.4266.00	Vite M12x25 UNI 5739 – Zinc.	4
42	98.2325.00	Tappo G1"x17	1
43	98.2265.00	Tappo G3/4"x16	1
44	96.7870.00	Rosetta Ø 33.5x38x1.5	1
45	96.7700.00	Rosetta Ø 26.5x32x1.5	1

POS	COD.	DESCRIZIONE – DESCRIPTION – KIT	NR
1	99.4400.00	Vite M12x80 UNI 5931 – Zinc.	8
2	96.7195.00	Rosetta Ø 13x18x1.1	20
3	90.4059.00	OR Ø 32.93x3.53 (4131) – Spec.	43
4	36.2011.66	Sede valvola	43
5	36.2010.76	Valvola	43
6	94.7450.00	Molla Ø 16x27.5	43
7	36.2009.51	Guida valvola	43
8	36.7065.01	Gruppo valvola aspiraz./mand.	43
9	90.4067.00	OR Ø 36.69x3.53 (144)	6
10	76.2180.22	Coperchio valvole	2
11	99.4280.00	Vite M12x30 UNI 5931 – Zinc.	8
12	90.1670.00	Anello rad. Ø 35x52x7	3
13	76.0100.22	Carter pompa	1
14	98.2270.00	Tappo carico olio G 3/4"	1
15	76.2119.84	Guarnizione posteriore coperchio	1
16	69.2195.66	Vite fissaggio pistone	74
17	90.3841.00	OR Ø 17.13x2.62 (3068)	74
18	90.5107.00	Anello antiest. Ø 17.4x22x1.5	74
19	96.7555.00	Rosetta Ø 22x27x0.5	74
20	76.0402.09	Pistone Ø 45x70	3
21	76.0209.35	Albero – 1"3/8	1
22	76.1600.22	Coperchio posteriore carter	1

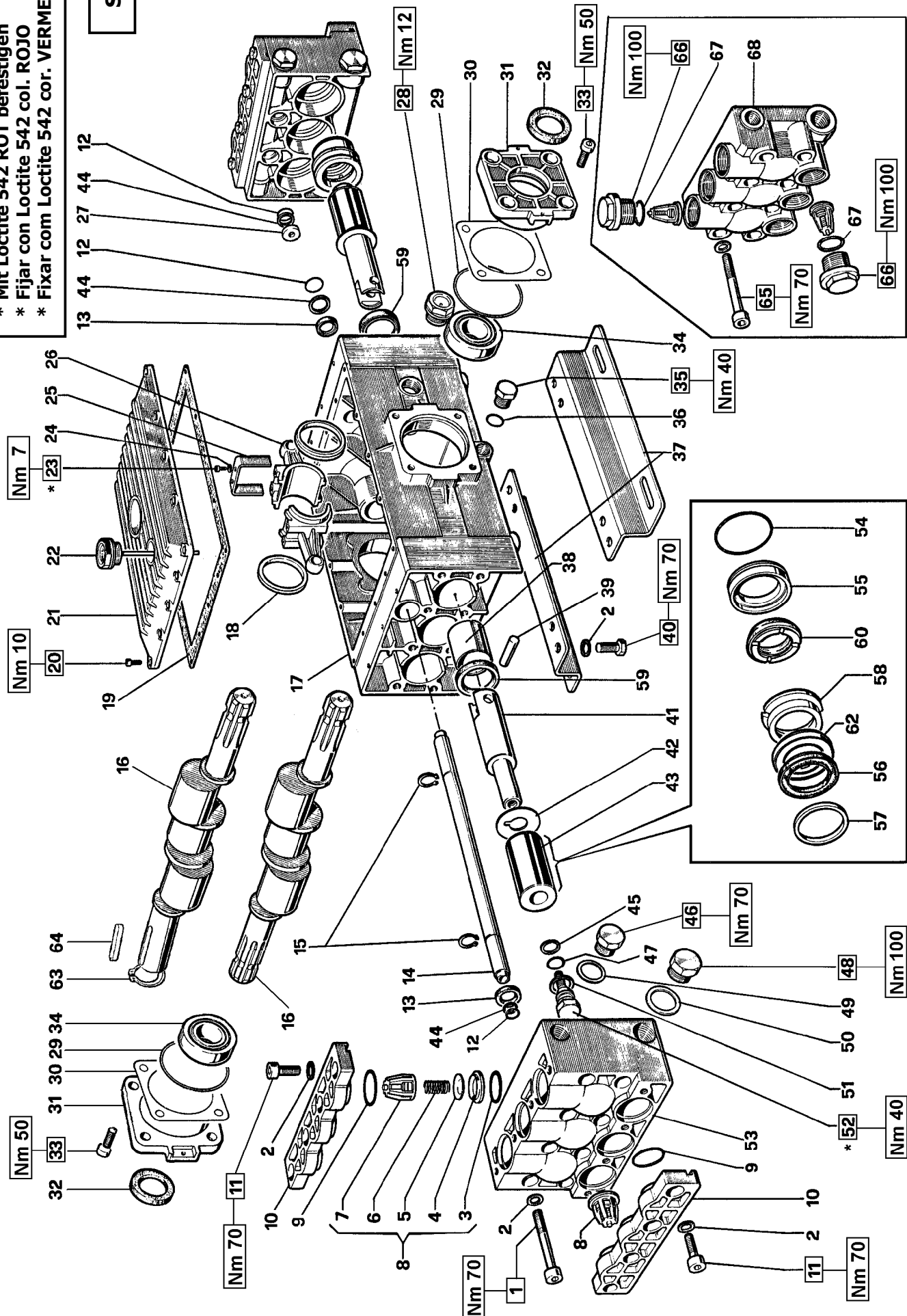
### VERSIONE CON TESTATA IN OTTONE BRASS MANIFOLD VERSION

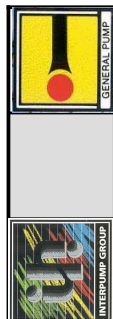
53	99.4418.00	Vite M12x90 UNI	8
54	98.2420.00	Tappo M42x1.5x23	6
55	90.4065.00	OR Ø 37.69x3.53 (4150)	6
56	76.1200.41	Testata Ø 45	1

CON ALBERO A DOPPIA PRESA DI FORZA  
WITH DOUBLE-SIDED SHAFT

\* Fissare con Loctite 542 col. ROSSO  
\* Affix with Loctite 542 col. RED  
\* Fixer avec de la Loctite 542 couleur ROUGE  
\* Mit Loctite 542 ROT befestigen  
\* Fijar con Loctite 542 col. ROJO  
\* Fixar com Loctite 542 cor. VERMELHA

SERIE 77





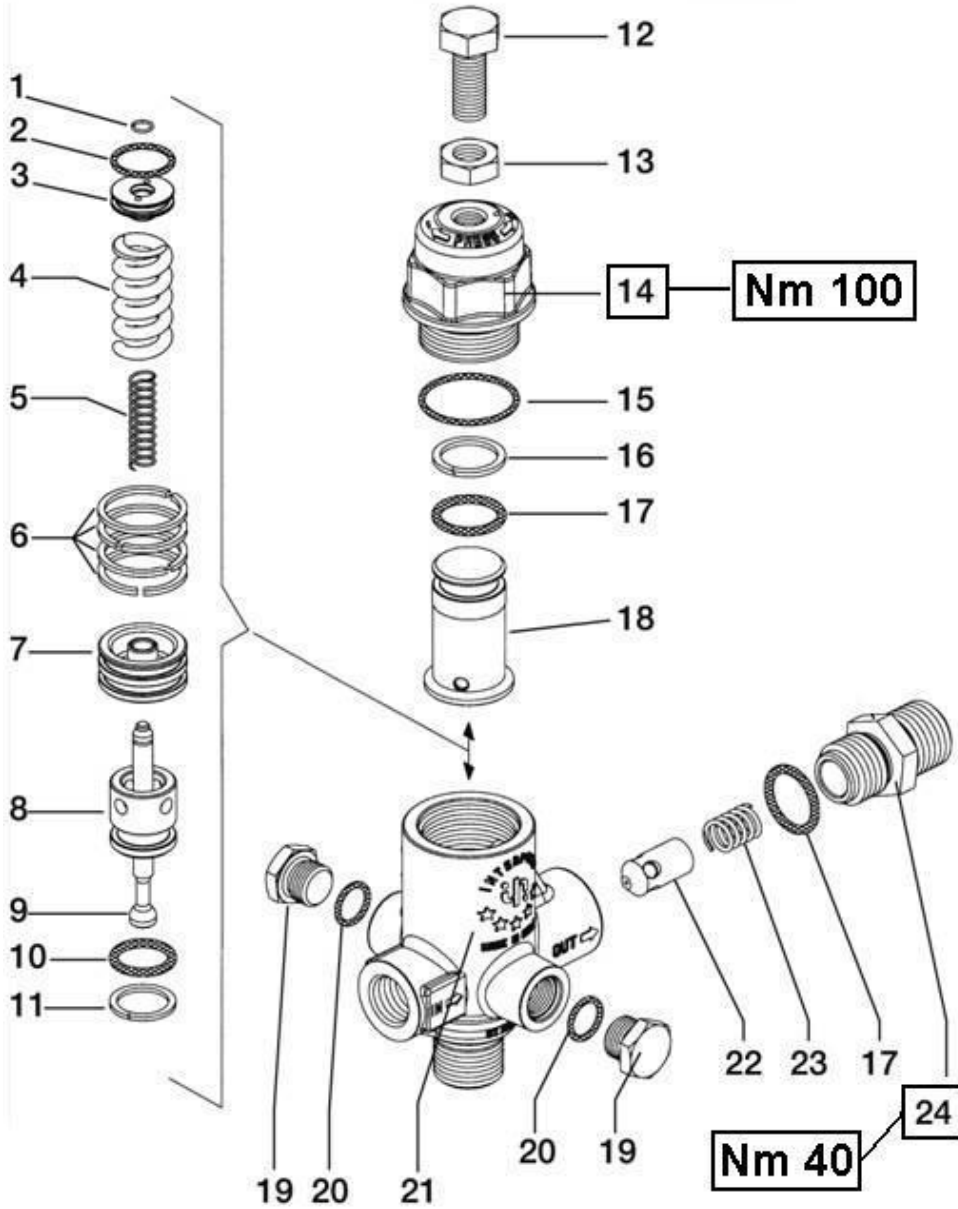
**T111 - T122**  
**T144 - T177**

**KIT RICAMBI - SPARE KITS**

KIT Nr.	KIT 32	KIT 43	KIT 44	KIT 47	KIT 48	KIT 74	KIT 79	KIT 80	KIT 81
Posizioni include Positions included	32	3-4 5-6 7 (8)	59	54-55	57	45-47 51-52	56-60 62	54-55 56-57 58-60 62	58-62
Nr. Pcs.	2	6	3	3	6	3	3	1	3

POS	COD.	DESCRIZIONE - DESCRIPTION - KIT	NR
1	99.4400.00	Vite M12x80 UNI 5931 - Zinc.	16
2	96.7195.00	Rosetta Ø 13x18x1.1	36
3	90.4059.00	OR Ø 32.93x3.53 (4131) - Spec.	43
4	36.2011.66	Sede valvola	43
5	36.2010.76	Valvola	43
6	94.7450.00	Molla Ø 16x27.5	43
7	36.2009.51	Guida valvola	43
8	36.7065.01	Gruppo valvola aspiraz./mand.	43
9	90.4067.00	OR Ø 36.69x3.53 (144)	12
10	76.2180.22	Coperchio valvole	4
11	99.4280.00	Vite M12x30 UNI 5931 - Zinc.	16
12	90.3835.00	OR Ø 15.08x2.62 (119)	4
13	90.1614.00	Anello rad. Ø 20x30x5	4
14	77.2122.93	Tubo di collegamento mandata	1
15	90.0605.00	Anello di arresto Ø 20 UNI 7435	2
16	76.0202.35	Albero - 1"3/8 - 1"3/8 - T111-T122	1
	76.0208.35	Albero - 1"3/8 - Ø 35 - T111-T122	1
	76.0206.35	Albero - 1"3/8 - 1"3/8 - T114-T177	1
	76.0207.35	Albero - 1"3/8 - Ø 35 - T114-T177	1
17	77.0100.22	Carter pompa	1
18	77.2121.89	Anello serraggio bielle	6
19	77.2118.84	Guarnizione coperchio superiore	1
20	99.1867.00	Vite M6x18 UNI 5931 - Zinc.	16
21	77.2114.22	Coperchio superiore carter	1
22	98.2272.00	Tappo carico olio G 3/4"	1
23	99.1537.00	Vite M5x12 UNI 5931 - Zinc.	12
24	96.6910.00	Rosetta Ø 5.3x9x0.6	12
25	77.2170.74	Forcella fissaggio biella	6
26	77.0300.22	Coppia di bielle	3
27	77.2203.70	Tappo per condotto mandata	2
28	97.5968.00	Spia livello olio G 3/4"	1
29	90.4141.00	OR Ø 85.32x3.53 (4337)	2
30	76.2200.78	Spessore	4
31	76.1500.22	Coperchio carter	2
32	90.1672.00	Anello rad. Ø 35x52x7	32
33	99.3652.00	Vite M10x20 UNI 5931	8
34	91.8473.00 91.8474.00	Cuscinetto a rulli conici - T111-T122 Cuscinetto a rulli conici - T144-T177	2 2
35	98.2100.00	Tappo G 3/8"x13	1
36	90.3833.00	OR Ø 13.95x2.62 (3056)	1
37	76.2000.74	Piedino	2
38	90.9174.00	Boccola Ø 35x39x50	6
39	97.7400.00	Spinotto Ø14x34.5	6
40	99.4266.00	Vite M12x25 UNI 5739 - Zinc.	4
41	77.0500.22 77.0501.22	Guida pistone - T111-T122 Guida pistone - T144-T177	6 6
42	96.7568.00	Rosetta Ø 22.3x51x0.5	6
43	76.0402.09	Pistone Ø 45	6
44	90.5090.00	Anello antiest. Ø 15.8x20x1.3	4
45	90.5107.00	Anello antiest. Ø 17.4x22x1.5	74
46	98.2265.00	Tappo G 3/4"x16	3
47	90.3841.00	OR Ø 17.13x2.62 (3068)	74
48	98.2325.00	Tappo G 1"x17	2
49	96.7700.00	Rosetta Ø 26.5x32x1.5	3
50	96.7870.00	Rosetta Ø 33.5x38x1.5	2
51	96.7555.00	Rosetta Ø 22x27x0.5	74
52	69.2195.66	Vite fissaggio pistone	74
53	77.1200.22	Testata Ø 45 - NICKEL	2
54	90.3903.00	OR Ø 60x2.62 (3237)	47-80
55	76.0802.70	Anello di fondo Ø 45	47-80
56	90.2850.00	Anello ten. alt. Ø 45x60x7.5/4.5 HP 79-80	6
57	76.1002.51	Anello di testa Ø 45	48-80
58	76.2170.70	Anello intermedio Ø 45	80-81
59	90.1670.00	Anello rad. Ø 35x52x7	44
60	90.2855.00	Anello ten. alt. Ø 45x60x9 LP	79-80
62	90.2848.00	Anello RESTOP Ø 45x60x5/3	79-80-81
63	90.0695.00	Anello d'arresto Ø 35 UNI 7435	1
64	91.4978.00	Linguetta 10x8x55 UNI 6604	1
<b>VERSIONE CON TESTATA IN OTTONE BRASS MANIFOLD VERSION</b>			
65	99.4418.00	Vite M12x90 UNI 5931 - Zinc.	16
66	98.2420.00	Tappo M42x1.5x23	12
67	90.4065.00	OR Ø 37.69x3.53 (4150)	12
68	77.1200.41	Testata Ø 45	2

**REGOLATORI AUTOMATICI DI PRESSIONE – AUTOMATIC PRESSURE REGULATORS  
RÉGULATEURS AUTOMATIQUE DE PRESSION – AUTOMATISCHE DRUCKREGLER  
AUTOMÁTICO REGULADORES DE PRESIÓN – PRESSÃO REGULADORES AUTOMÁTICOS**



**KIT RICAMBI – SPARE KITS**

KIT NR.	KIT 168
Posizioni include Positions included	1 - 2 - 3 - 4 5 - 6 - 7 - 8 9 - 10 - 11
Nr. Pcs.	1

**K1**

**DIS. COD. 36.9523.00**

POS	COD.	DESCRIZIONE – DESCRIPTION KIT	NR
1	90.0060.00	Anello seeger Ø 6	168 1
2	90.3593.00	OR Ø 15.6x1.78 (2062)	168 1
3	36.3257.70	Piattello molla	168 1
4	94.7425.00	Molla Ø 14x35	168 1
5	94.7337.00	Molla Ø 7.3x32	168 1
6	92.7722.00	Fascia elastica Ø 27	168 4
7	36.3255.70	Pistoncino di comando	168 1
8	36.3256.66	Sede valvola	168 1
9	36.3254.66	Asta valvola	168 1
10	90.3835.00	OR Ø 15.08x2.62 (119)	168 1
11	90.5090.00	Anello antiest. Ø 15.8x20x1.3	168 1
12	99.3663.00	Vite M10x25 UNI 5740	1
13	92.2368.00	Dado M10x25 UNI 5589	1

POS	COD.	DESCRIZIONE – DESCRIPTION KIT	NR
14	36.3251.41	Corpo superiore	1
15	90.3606.00	OR Ø 26.7x1.78 (2106)	1
16	90.5107.00	Anello antiest. Ø 17.4x22x1.5	1
17	90.3841.00	OR Ø 17.12x2.62 (3068)	2
18	36.32527.0	Fine corsa	1
19	98.2041.00	Tappo G 1/4"x9	2
20	90.3585.00	OR Ø 10.82x1.78 (2043)	2
21	36.3250.41	Corpo inferiore	1
22	36.3258.66	Ugello	1
23	94.7375.00	Molla Ø 9.4x17	1
24	36.3253.70 36.3269.70	Niplo G 1/2" Niplo G 3/8" - OPTIONAL	1 1

## KIT RICAMBI – SPARE KITS

DIS. COD. 36.9506.00

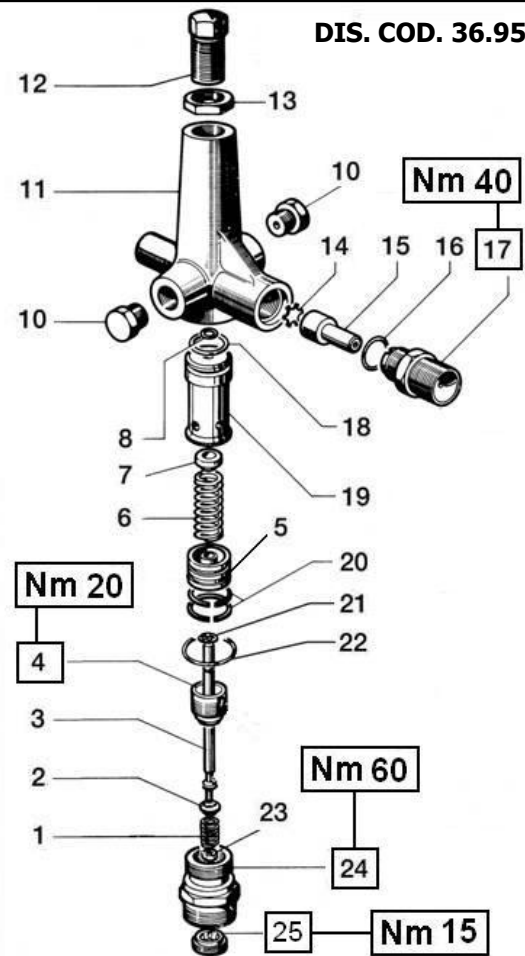
KIT NR.	KIT 59 (K3) KIT 58 (K5)	KIT 61 (K3) KIT 60 (K5)
Posizioni incluse Positions included	1 – 2 – 4 – 5 6 – 8 – 16 – 18 20 – 21 – 22 23 – 25	1 – 2 – 3 – 4 5 – 6 – 7 – 20 21 – 22 – 23 24 – 25
Nr. Pcs.	1	1

### \*\*\* TABELLA B – TABLE B

MOD	POS	COD.	DESCRIZIONE - DESCRIPTION	NR
K3.0	15	36.3019.70	Ugello Ø 2	1
	17	36.3020.70	Nipplo G 1/2" con foro Ø 3	1
K3.1	15	36.3011.70	Ugello Ø 2.5	1
	17	36.3020.70	Nipplo G 1/2" con foro Ø 3	1
K3.2	15	36.3012.70	Ugello Ø 2.75	1
	17	36.3021.70	Nipplo G 1/2" con foro Ø 3.25	1

### \*\*\* TABELLA A – TABLE A

MOD	POS	COD.	DESCRIZIONE - DESCRIPTION	NR
K5.0	15	36.3019.70	Ugello Ø 2	1
	17	36.3020.70	Nipplo G 1/2" con foro Ø 3	1
K5.1	15	36.3011.70	Ugello Ø 2.5	1
	17	36.3020.70	Nipplo G 1/2" con foro Ø 3	1
K5.2	15	36.3012.70	Ugello Ø 2.75	1
	17	36.3021.70	Nipplo G 1/2" con foro Ø 3.25	1
K5.3	15	36.3013.70	Ugello Ø 3	1
	17	36.3022.70	Nipplo G 1/2" con foro Ø 3.5	1



## K3

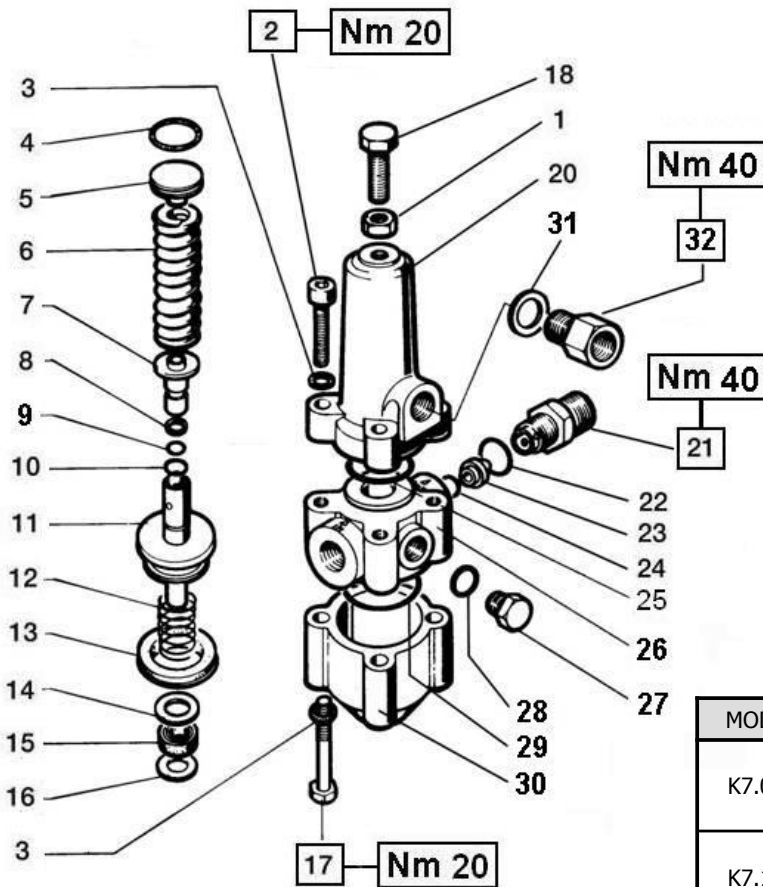
## K5

POS	COD.	DESCRIZIONE – DESCRIPTION KIT	NR
1	94.7374.00	Molla Ø 9.3x15.5	59-61 1
2	36.3008.66	Valvola conica	59-61 1
3	36.3004.66	Asta valvola	61 1
4	36.3034.66	Inserto per sede valvola	59-61 1
5	36.3006.70	Pistoncino di comando	59-61 1
6	94.7402.00	Molla Ø 12x36	59-61 1
7	36.3005.70	Piattello molla	61 1
8	90.3572.00	OR Ø 5.28x1.78 (2021)	59 1
10	98.2041.00	Tappo G 1/4"x9	2
11	36.3000.41	Corpo valvola	1
12	36.3001.64	Vite di regolazione pressione	1
13	92.2560.00	Dado M16x20x4	1
14	36.3009.76	Valvola piana	1
15	***	Vedi tabella B – See table B	-
16	90.3833.00	OR Ø 13.95x2.62 (3056)	59 1
17	***	Vedi tabella B – See table B	-
18	90.3835.00	OR Ø 15.08x2.62 (119)	59 1
19	36.3003.70	Guida asta	1
20	92.7707.00	Fascia elastica Ø 22	59-61 4
21	90.0509.00	Anello seeger Ø 4 UNI 7434	59-61 1
22	90.3598.00	OR Ø 20.35x1.78 (2081)	59-61 1
23	92.1925.00	Dado M4x3.2x7	59-61 1
24	36.3049.70	Sede valvola	61 1
25	36.3035.70	Ghiera	59-61 1

POS	COD.	DESCRIZIONE – DESCRIPTION KIT	NR
1	94.7374.00	Molla Ø 9.3x15.5	58-60 1
2	36.3008.66	Valvola conica	58-60 1
3	36.3030.66	Asta valvola	60 1
4	36.3034.66	Inserto per sede valvola	58-60 1
5	36.3032.70	Pistoncino di comando	58-60 1
6	94.7430.00	Molla Ø 14.5x45	58-60 1
7	36.3031.70	Piattello molla	60 1
8	90.3572.00	OR Ø 5.28x1.78 (2021)	58 1
10	98.2041.00	Tappo G 1/4"x9	2
11	36.3028.41	Corpo valvola	1
12	36.3001.64	Vite di regolazione pressione	1
13	92.2560.00	Dado M16x20x4	1
14	36.3009.76	Valvola piana	1
15	***	Vedi tabella B – See table A	-
16	90.3833.00	OR Ø 13.95x2.62 (3056)	58 1
17	***	Vedi tabella B – See table A	-
18	90.3845.00	OR Ø 18.72x2.62 (3075)	58 1
19	36.3029.70	Guida asta	1
20	92.7722.00	Fascia elastica Ø 27	58-60 4
21	90.0509.00	Anello seeger Ø 4 UNI 7434	58-60 1
22	90.3859.00	OR Ø 25.07x2.62 (3100)	58-60 1
23	92.1925.00	Dado M4x3.2x7	58-60 1
24	36.3050.70	Sede valvola	60 1
25	36.3035.70	Ghiera	58-60 1

## KIT RICAMBI – SPARE KITS

KIT NR.	KIT 70
Posizioni incluse Positions included	4 - 7 - 8 - 9 - 10 11 - 12 - 13 - 15 - 16 22 - 24 - 25 - 28 - 29
Nr. Pcs.	1



**K7**

DIS. COD. 36.9508.00

\*\*\* TABELLA A – TABLE A

MOD	POS	COD.	DESCRIZIONE - DESCRIPTION	NR
K7.0	21	10.0078.70	Nipplo G 3/8" con foro Ø 3	1
	23	10.0076.66	Ugello Ø 2.2	1
	32	36.3117.70	Nipplo G 3/8"	1
K7.1	21	10.0078.70	Nipplo G 3/8" con foro Ø 3	1
	23	10.0076.66	Ugello Ø 2.5	1
	32	36.3116.70	Nipplo G 3/8"	1
K7.2	21	10.0160.70	Nipplo G 3/8" con foro Ø 3.25	1
	23	10.0162.66	Ugello Ø 2.75	1
	32	36.3118.70	Nipplo G 3/8"	1
K7.3	21	10.0161.70	Nipplo G 3/8" con foro Ø 3.5	1
	23	10.0163.66	Ugello Ø 3	1
	32	36.3119.70	Nipplo G 3/8"	1

POS	COD.	DESCRIZIONE – DESCRIPTION KIT	NR
1	92.2368.00	Dado M10x17x6 UNI 5589	1
2	99.3084.00	Vite M8x30 UNI 5931	4
3	96.7014.00	Rosetta Ø 8.4x13x0.8	8
4	90.3849.00	OR Ø 20.63x2.62 (128)	70 1
5	36.3095.70	Piattello molla	1
6	94.7466.00	Molla Ø 17x60	1
7	36.3094.66	Sede valvola	70 1
8	90.5052.00	Anello antiest. Ø 9.6x14x1.5	70 1
9	90.3820.00	OR Ø 9.13x2.62 (109)	70 1
10	90.3582.00	OR Ø 9.25x1.78 (2037)	70 1
11	36.3097.02	Assieme pistoncino e sfera	70 1
12	94.7464.00	Molla Ø 17x17	70 1
13	90.2766.00	Anello ten. alt. Ø 30x40x7	70 1
14	96.7215.00	Rosetta Ø 13x20x2	1
15	90.2565.00	Anello ten. alt. Ø 10x18x5.5	70 1
16	90.5063.00	Anello antiest. Ø 10x18x1.5	70 1

POS	COD.	DESCRIZIONE – DESCRIPTION KIT	NR
17	99.3127.00	Vite M8x45 UNI 5737	4
18	99.3663.00	Vite M10x25 UNI 5740	1
20	36.3090.41	Corpo valvola superiore	1
21	***	Vedi tabella A – See table A	-
22	90.3833.00	OR Ø 13.95x2.62 (3056)	70 1
23	***	Vedi tabella A – See table A	-
24	90.3823.00	OR Ø 9.92x2.62 (112)	70 1
25	90.3863.00	OR Ø 28.25x2.62 (3112)	70 1
26	36.3091.41	Corpo valvola centrale	1
27	98.2041.00	Tappo G 1/4"x9	2
28	90.3585.00	OR Ø 10.82x1.78 (2043)	70 2
29	90.3871.00	OR Ø 34.6x2.62 (3137)	70 1
30	36.3092.41	Corpo valvola inferiore	1
31	96.7380.00	Rosetta Ø 17.5x23x1.5	1
32	***	Vedi tabella B – See table B	-

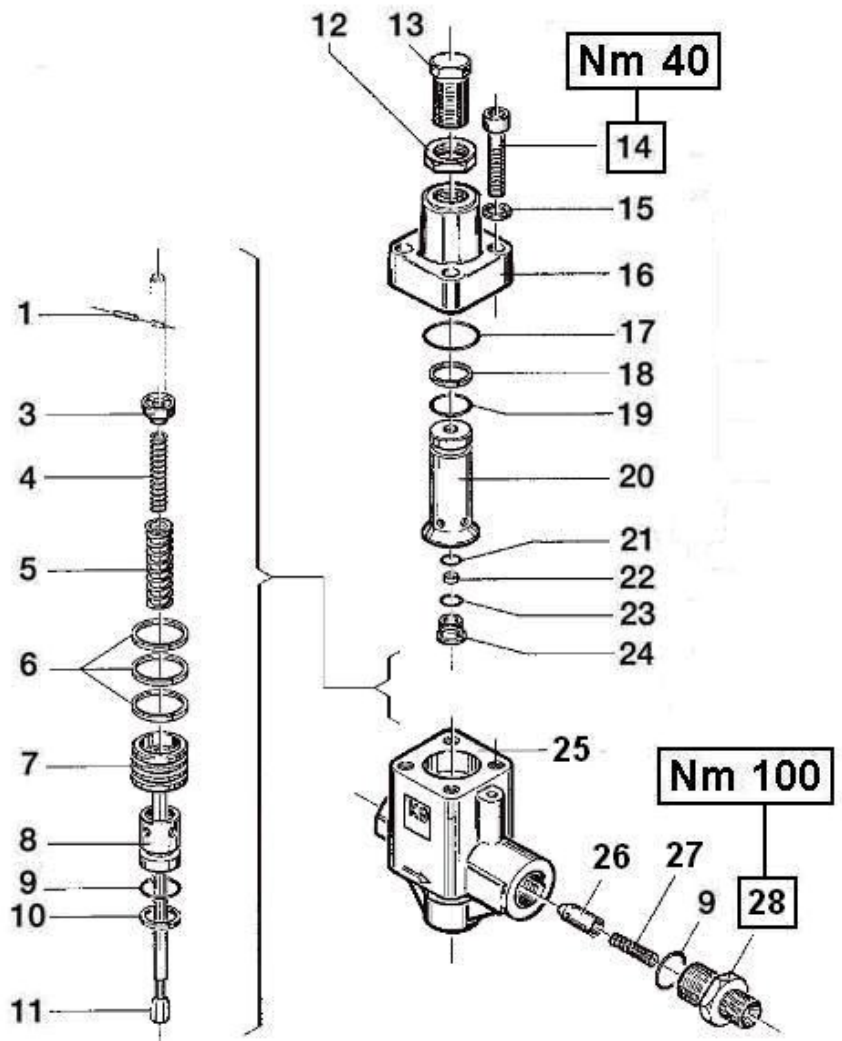


### KIT RICAMBI – SPARE KITS

KIT NR.	KIT 121
Posizioni incluse Positions included	1 - 3 - 4 - 5 6 - 7 - 8 - 9 10 - 11
Nr. Pcs.	1

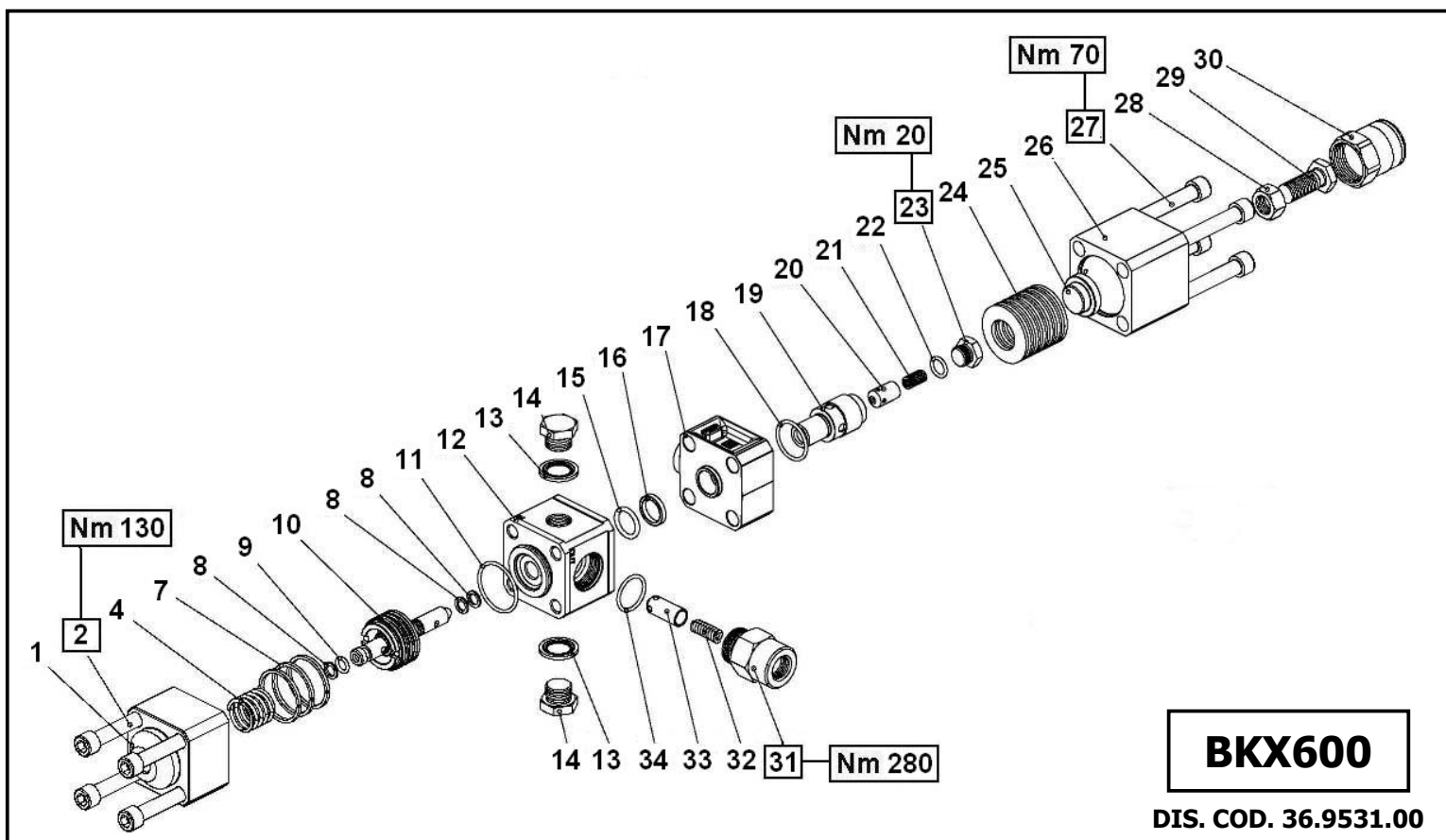
**K9**

**DIS. COD. 36.9521.00**



POS	COD.	DESCRIZIONE – DESCRIPTION KIT	NR
1	97.6132.00	Spina Ø 3x14.5	121 1
3	36.3211.70	Piattello molla	121 1
4	94.7385.00	Molla Ø 10x57	121 1
5	94.7456.00	Molla Ø 16.5x56	121 1
6	92.7746.00	Fascia elastica Ø 35	121 3
7	36.3206.70	Pistoncino di comando	121 1
8	36.3204.66	Sede valvola	121 1
9	90.3847.00	OR Ø 20.24x2.62 (3081)	121 2
10	90.5135.00	Anello antiest. Ø 21x25x2	121 1
11	36.3202.01	Assieme asta e valvola	121 1
12	92.2656.00	Dado M22x1.5	1
13	36.3210.70	Vite di regolazione	1
14	99.3720.00	Vite M10x45 UNI 5931	4
15	96.7104.00	Rosetta Ø 10.5x16x1	4
16	36.3201.41	Corpo superiore	1
17	90.3867.00	OR Ø 31.42x2.62 (3125)	1
18	90.5149.00	Anello antiest. Ø 23x27x2	1
19	90.3852.00	OR Ø 22.22x2.62 (130)	1
20	36.3209.70	Guida asta	1

POS	COD.	DESCRIZIONE – DESCRIPTION KIT	NR
21	90.3823.00	OR Ø 9.92x2.62 (112)	1
22	90.2540.00	Anello ten. alt. Ø 8	1
23	90.3585.00	OR Ø 10.82x1.78 (2043)	1
24	36.3203.70	Boccola	1
25	36.3200.01	Corpo inferiore	1
26	36.3207.66	Ugello	1
27	94.7339.00	Molla Ø 7.2x24	1
28	36.3208.70	Nipplo G 1/2"	1

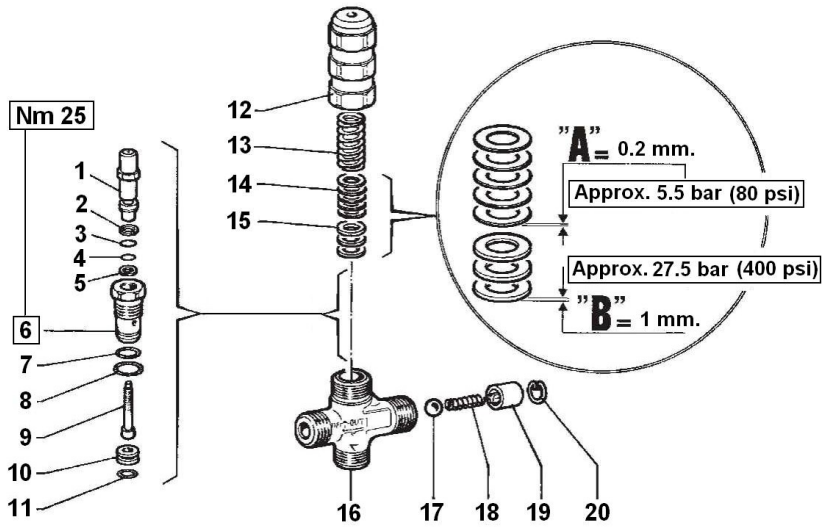


**BKX600**  
DIS. COD. 36.9531.00

POS	COD.	DESCRIZIONE – DESCRIPTION KIT	NR
1	36.3120.66	Corpo valvola inferiore	1
2	99.4387.00	Vite M12x70 UNI 5931	4
3	96.7195.00	Rosetta Ø 13x18x1.1	8
4	94.7572.00	Molla Ø 26.2x28.5	1
7	92.7776.00	Fascia elastica Ø 45	3
8	90.5052.00	Anello antiest. Ø 9.6x14x1.5	3
9	90.3819.00	OR Ø 9.13x2.62 (109)	1
10	36.7111.01	Assieme asta e pistoncino	1
11	90.3877.00	OR Ø 39.34x2.62 (3156)	1
12	36.3121.66	Corpo valvola	1
13	93.1972.00	Rondella con tenuta G 1/2"	2
14	98.2181.00	Tappo G 1/2"x13	2
15	90.4041.00	OR Ø 20.22x3.53 (4081)	1
16	90.5132.00	Anello antiest. Ø 20x26x4	1
17	36.3122.41	Corpo valvola intermedio	1
18	90.3865.00	OR Ø 29.82x2.62 (3118)	1

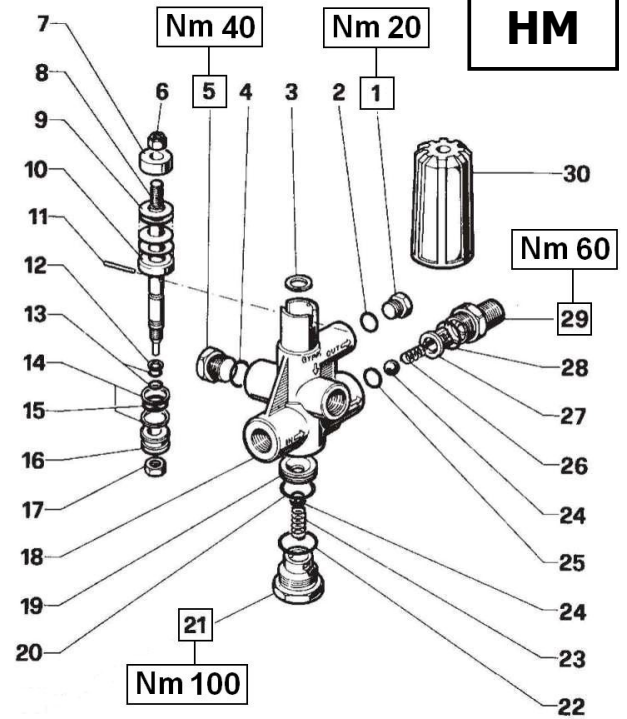
POS	COD.	DESCRIZIONE – DESCRIPTION KIT	NR
19	36.3358.66	Sede valvola	1
20	36.3359.66	Valvola	1
21	94.7358.00	Molla Ø 8.5x22	1
22	90.3830.00	OR Ø 13.1x2.62 (117)	1
23	98.2101.00	Tappo G 3/8"x9.5	1
24	94.8585.00	Molla a tazza Ø 50x25.4x3	12
25	36.3127.66	Piattello molla	1
26	36.3123.66	Corpo valvola superiore	1
27	99.4450.00	Vite M12x120 UNI 5931	4
28	92.2565.00	Dado M16x1.5 UNI 5588	1
29	99.5136.00	Vite M16x1.5x41	1
30	36.3132.70	Tappo	1
31	95.2730.00	Nipplo M30x1.5xG 1/2"	1
32	94.7365.00	Molla Ø 8.8x31	1
33	36.3125.66	Ugello	1
34	90.3861.00	OR Ø 26.65x2.62 (3106)	1

# HX - HXM



DIS. COD. 36.9520.00

# HM



DIS. COD. 36.9509.00

POS	COD.	DESCRIZIONE - DESCRIPTION	KIT	NR
1	36.3237.70	Pistoncino di comando	143	1
2	90.5020.00	Anello antiest. Ø 5.2x8x1.5	143	1
3	90.3570.00	OR Ø 4.48x1.78 (2018)	143	1
4	90.3568.00	OR Ø 3.69x1.78 (2015)	143	1
5	90.5007.00	Anello antiest. Ø 4x6.8x1.5	143	1
6	36.3238.70	Boccola di guida	143	1
7	90.3581.00	OR Ø 8.73x1.78 (108)	143	1
8	90.3589.00	OR Ø 12.42x1.78 (2050)	143	1
9	36.3239.66	Valvola sferica	143	1
10	10.0085.66	Sede valvola	143	1
11	90.3576.00	OR Ø 6.75x1.78 (106)	143	1
12	36.3241.70	Pomolo		1
13	94.7400.00	Molla Ø 11.8x28.5		1
14	96.7017.00	Rosetta Ø 8.4x15x0.2		5
15	96.7018.00	Rosetta Ø 8.4x15x1		3
16	36.3236.41 36.0059.41	Corpo valvola - HX Corpo valvola - HXM		1 1
17	97.4800.00	Sfera Ø 9/32" - HX		1
18	94.7332.00	Molla Ø 6.1x19 - HX		1
19	36.3240.51	Guida molla - HX		1
20	90.0067.00	Anello seeger Ø 10 - HX		1

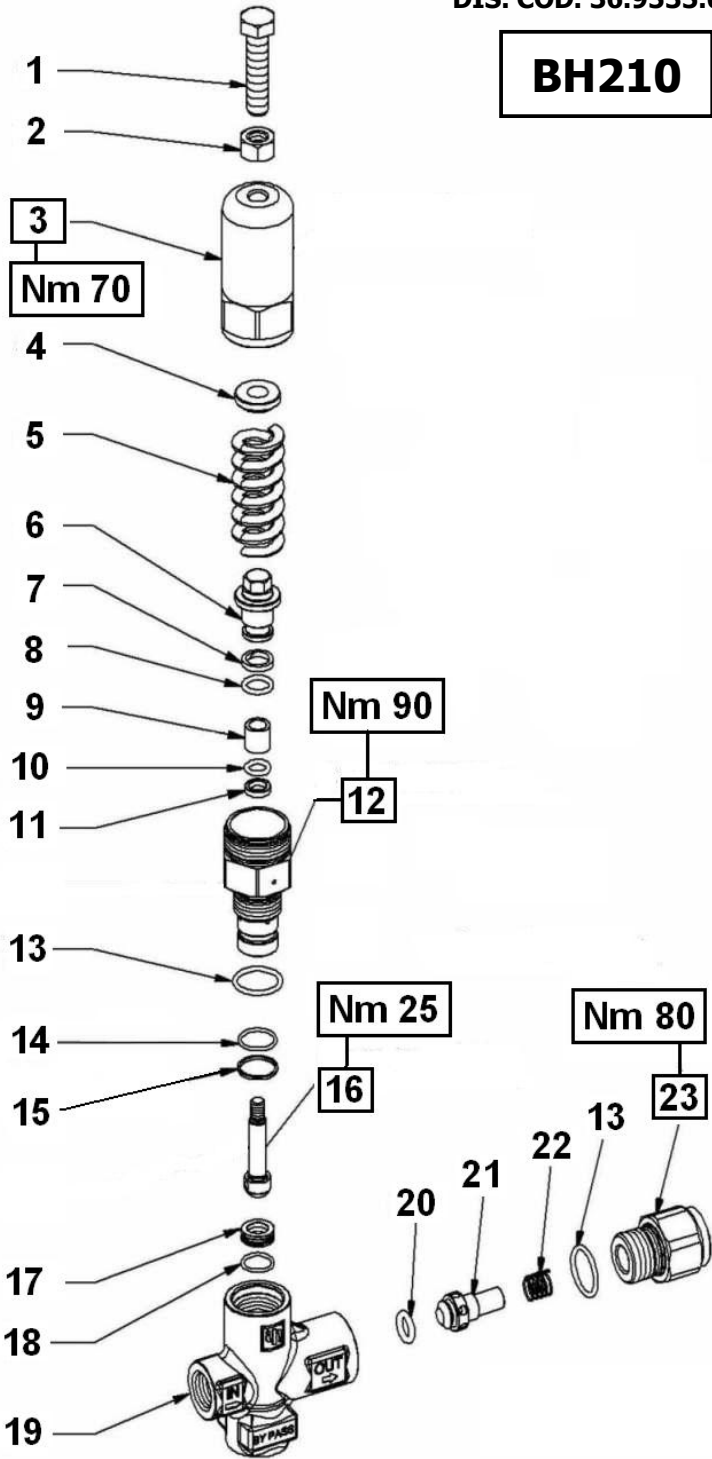
## KIT RICAMBI - SPARE KITS

KIT NR.	KIT 143 (HX-HXM)	KIT 72 (HM)
<b>Posizioni include</b>	<b>1 - 2 - 3</b>	<b>2 - 4 - 9 - 12</b>
<b>Positions included</b>	<b>4 - 5 - 6</b>	<b>13 - 14 - 15 - 19</b>
	<b>7 - 8 - 9</b>	<b>20 - 22 - 23 - 24</b>
	<b>10 - 11</b>	<b>25 - 26 - 27 - 28</b>
<b>Nr. Pcs.</b>	<b>1</b>	<b>1</b>

POS	COD.	DESCRIZIONE - DESCRIPTION	KIT	NR
1	98.2041.00	Tappo G 1/4"x9		1
2	90.3585.00	OR Ø 10.82x1.78 (2043)	72	1
3	96.7102.00	Rosetta Ø 10.5x15x2.5		1
4	90.3833.00	OR Ø 13.95x2.62 (3056)	72	1
5	98.2100.00	Tappo G 3/8"x13		1
6	92.2208.00	Dado M8x13x10.6 UNI 7473		1
7	36.3113.64	Guida molla		1
8	36.3107.66	Guida pistone		1
9	94.8495.00	Molla a tazza Ø 22x10.2x1.25	72	20
10	36.3109.76	Piattello molla		1
11	97.6143.00	Spina Ø 4x20 UNI 1707		1
12	90.5025.00	Anello antiest. Ø 7x10x1.5	72	1
13	90.3575.00	OR Ø 6.75x1.78 (106)	72	2
14	90.5080.00	Anello antiest. Ø 13.5x18x2	72	2
15	90.3831.00	OR Ø 13.1x2.62 (117)	72	1
16	36.3112.66	Pistoncino di comando		1
17	92.2220.00	Dado M8x13x5 UNI 5589		1
18	36.3101.01	Corpo valvola		1
19	36.3102.66	Sede valvola	72	1
20	90.3594.00	OR Ø 17.17x1.78 (2068)	72	1
21	36.3103.70	Tappo		1
22	90.3847.00	OR Ø 20.24x2.62 (3081)	72	1
23	94.7374.00	Molla Ø 9.3x15.5	72	1
24	97.4838.00	Sfera Ø 13/32"	72	2
25	90.3822.00	OR Ø 9.92x2.62 (112)	72	1
26	94.7355.00	Molla Ø 8.5x12	72	1
27	36.3104.51	Guida valvola	72	1
28	90.3843.00	OR Ø 17.86x2.62 (123)	72	1
29	36.3105.70	Nipplo G 3/8"		1
30	36.3110.02	Pomolo		1

DIS. COD. 36.9535.00

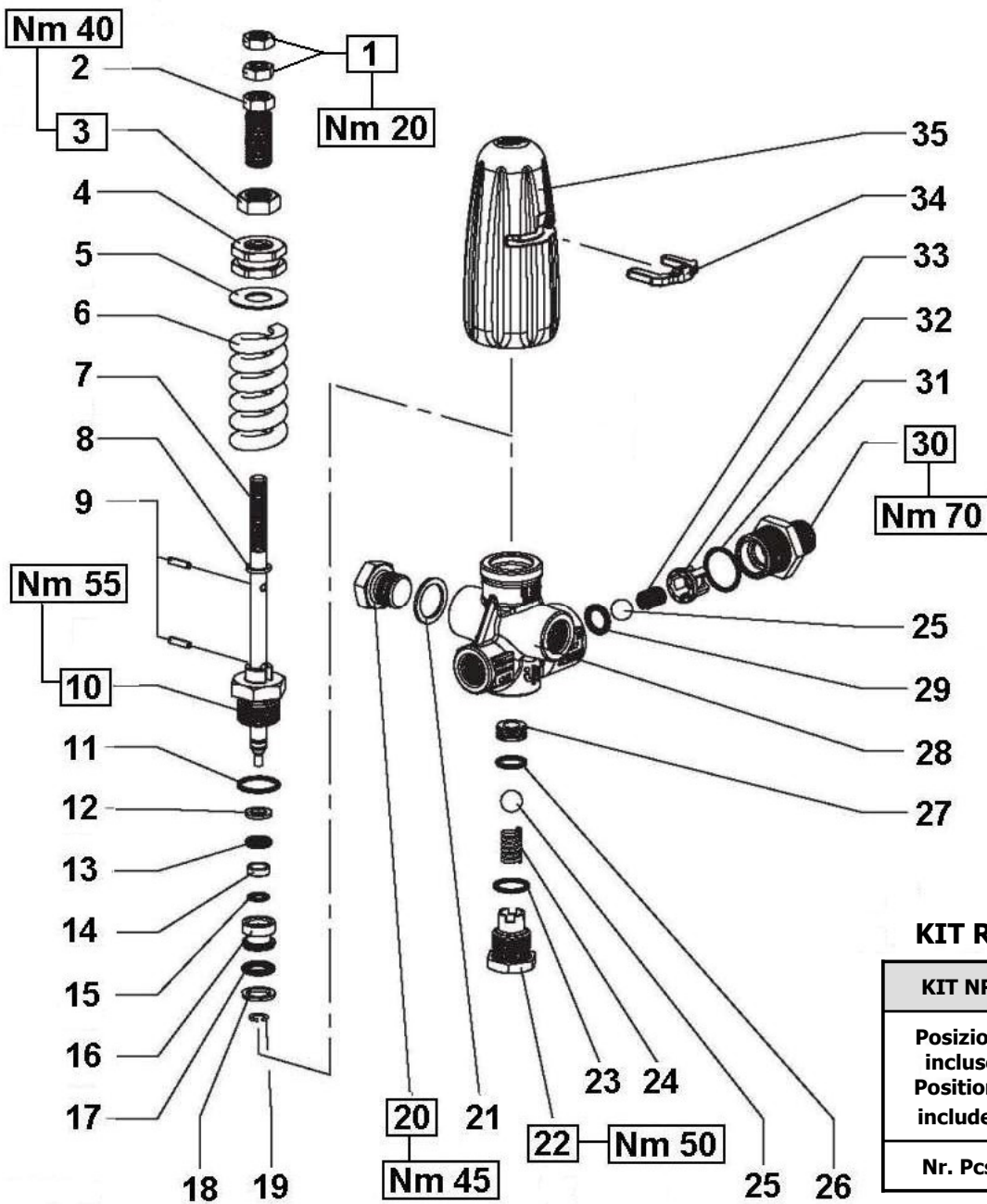
**BH210**



POS	COD.	DESCRIZIONE – DESCRIPTION KIT	NR
1	99.3732.00	Vite M12x50 UNI 5739	1
2	92.2395.00	Dado M12x19x10 UNI 5588	1
3	36.3375.71	Corpo superiore	1
4	36.3376.64	Piattello molla	1
5	94.7535.00	Molla Ø 24x66	1
6	36.3378.66	Pistone	246
7	90.5079.00	Anello antiest. Ø 13.6x18x2.5/3	246
8	90.3830.00	OR Ø 13.1x2.62 (117)	246
9	36.3384.82	Distanziale Ø 10x14.5x13.5	246
10	90.3823.00	OR Ø 9.92x2.62 (112)	246
11	90.5060.00	Anello antiest. Ø 10x14.7x2.5/3	246
12	36.3377.70	Boccola di guida	1
13	90.3855.00	OR Ø 23.47x2.62 (3093)	246
14	90.3596.00	OR Ø 18.77x1.78 (2075)	246
15	90.5131.00	Anello antiest. Ø 20.4x23x1.5	246
16	36.3380.56	Asta valvola	246
17	36.3381.66	Sede Ø 12	246
18	90.3593.00	OR Ø 15.6x1.78 (2062)	246
19	36.3379.41	Corpo valvola	1
20	90.4031.00	OR Ø 10.69x3.53 (4042)	246
21	36.3382.70	Otturatore	1
22	94.7409.00	Molla Ø 12.7x15	1
23	36.3383.70	Nipplo otturatore G 1/2"	1

**KIT RICAMBI – SPARE KITS**

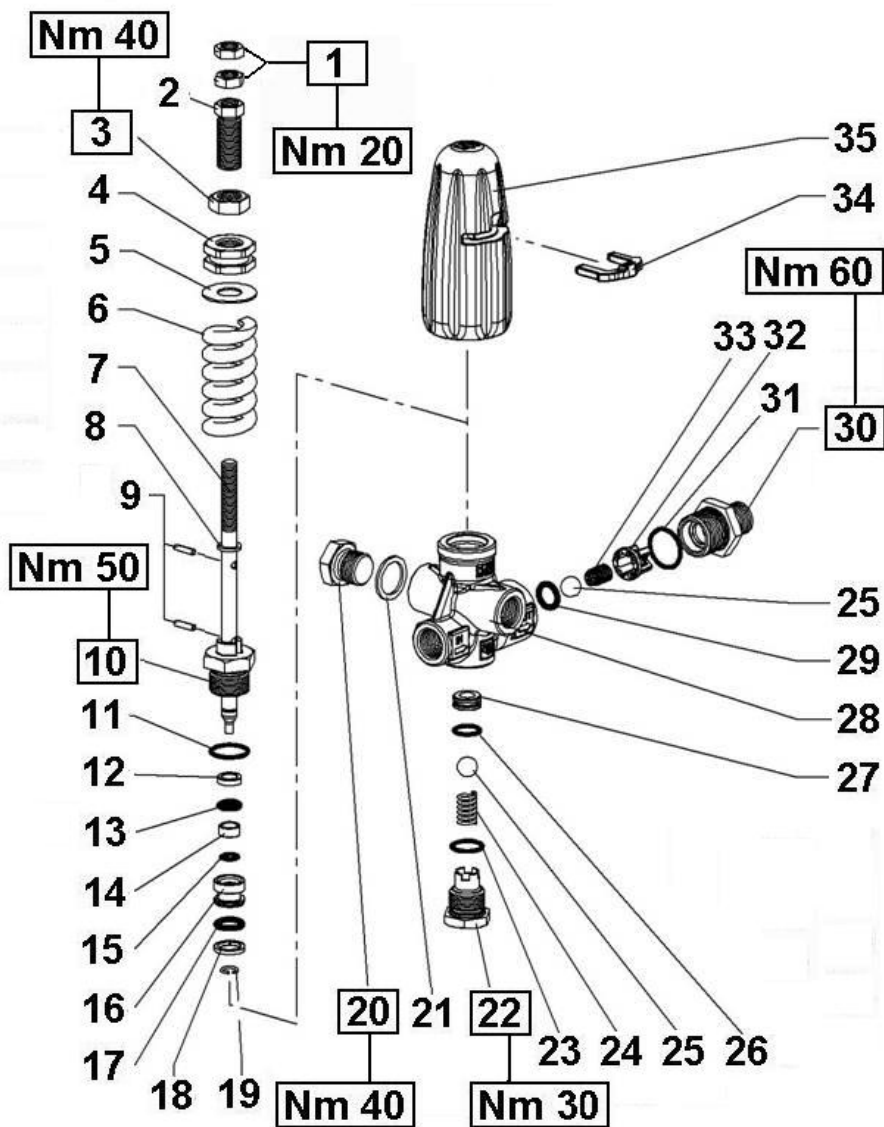
KIT NR.	KIT 246
Posizioni include Positions included	6 – 7 – 8 – 9 10 – 11 – 13 – 14 15 – 16 – 17 – 18 20
Nr. Pcs.	1

**H253****KIT RICAMBI – SPARE KITS**

KIT NR.	KIT 178
Posizioni includi Positions included	6 – 11 – 12 – 13 – 15 17 – 18 – 19 – 23 – 24 25 – 26 – 27 – 29 – 31 32 – 33
Nr. Pcs.	1

POS	COD.	DESCRIZIONE – DESCRIPTION KIT	NR
1	92.2200.00	Dado M8x5x13 UNI 5589	2
2	36.3262.64	Vite di taratura pressione massima	1
3	92.2400.00	Dado M12x7x19 UNI 5589	1
4	36.3261.64	Ghiera regolazione pressione	1
5	96.7780.00	Rosetta Ø 28x12.5x1	1
6	94.7509.00	Molla Ø 21x60	178 1
7	36.3263.73	Asta valvola	1
8	96.7037.00	Rosetta Ø 8.5x12x1.5	1
9	97.6658.00	Spina Ø 3x12 UNI 6876	2
10	36.3266.70	Boccola guida asta	1
11	90.3595.00	OR Ø 17.17x1.78 (2068)	178 1
12	90.5035.00	Anello antiest. Ø 8x12.7x1.5	178 1
13	90.3818.00	OR Ø 7.59x2.62 (3030)	178 1
14	36.3300.70	Distanziale	1
15	90.3576.00	OR Ø 6.75x1.78 (106)	178 1
16	36.3264.66	Pistoncino di comando	1
17	90.3825.00	OR Ø 10.78x2.62 (3043)	178 1
18	90.5070.00	Anello antiest. Ø 11.6x16x1.5/2	178 1

POS	COD.	DESCRIZIONE – DESCRIPTION KIT	NR
19	90.0063.00	Anello seeger Ø 8	178 1
20	98.2100.00	Tappo G 3/8"x13	1
21	96.7380.00	Rosetta Ø 17.5x23x1.5	1
22	36.3268.70	Tappo M18x1.5	1
23	90.3592.00	OR Ø 14x1.78 (2056)	178 1
24	94.7360.00	Molla Ø 8.6x16.5	178 1
25	97.4838.00	Sfera Ø 13/32"	178 2
26	90.3585.00	OR Ø 10.82x1.78 (2043)	178 1
27	36.3265.66	Sede valvola	178 1
28	36.3259.41	Corpo valvola	1
29	90.3823.00	OR Ø 9.92x2.62 (112)	178 1
30	36.3267.70	Nipplo G 3/8"	1
31	90.3597.00	OR Ø 18.77x1.78 (2075)	178 1
32	36.3104.51	Guida valvola	178 1
33	94.7355.00	Molla Ø 8.5x12	178 1
34	36.3297.51	Forcella	1
35	36.3260.51	Pomolo	1

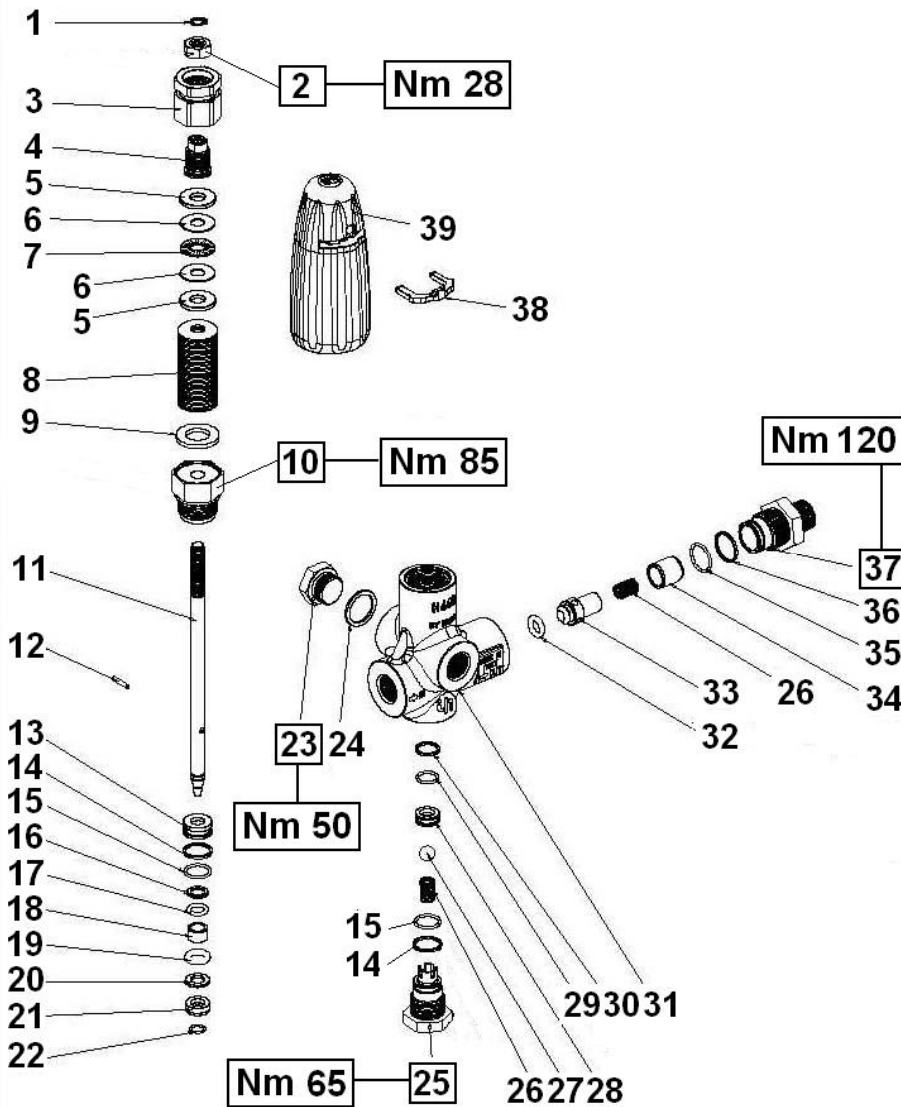
**H284****KIT RICAMBI – SPARE KITS**

KIT NR.	KIT 245
<b>Posizioni include</b> <b>Positions included</b>	<b>6 – 11 – 12 – 13 – 15</b> <b>17 – 18 – 19 – 23 – 24</b> <b>25 – 26 – 27 – 29 – 31</b> <b>32 – 33</b>
<b>Nr. Pcs.</b>	<b>1</b>

**DISTINTA – SPARE PARTS**

POS	COD.	DESCRIZIONE – DESCRIPTION KIT	NR
1	92.2200.00	Dado M8x5x13 UNI 5589	2
2	36.3262.64	Vite di taratura pressione massima	1
3	92.2400.00	Dado M12x7x19 UNI 5589	1
4	36.3261.64	Ghiera regolazione pressione	1
5	96.7780.00	Rosetta Ø 28x12.5x1	1
6	94.7509.00	Molla Ø 21x60	245 1
7	36.3263.73	Asta valvola	1
8	96.7037.00	Rosetta Ø 8.5x12x1.5	1
9	97.6658.00	Spina Ø 3x12 UNI 6876	2
10	36.3356.70	Boccola guida asta	1
11	90.3595.00	OR Ø 17.17x1.78 (2068)	245 1
12	90.5036.00	Anello antiest. Ø 8x12.4x2.5/3	245 1
13	90.3818.00	OR Ø 7.59x2.62 (3030)	245 1
14	36.3357.70	Distanziale	1
15	90.3576.00	OR Ø 6.75x1.78 (106)	245 1
16	36.3264.66	Pistoncino di comando	1
17	90.3825.00	OR Ø 10.78x2.62 (3043)	245 1
18	90.5070.00	Anello antiest. Ø 11.6x16x1.5/2	245 1

POS	COD.	DESCRIZIONE – DESCRIPTION KIT	NR
19	90.0063.00	Anello seeger Ø 8	245 1
20	98.2100.00	Tappo G 3/8"x13	1
21	96.7380.00	Rosetta Ø 17.5x23x1.5	1
22	36.3268.70	Tappo M18x1.5	1
23	90.3592.00	OR Ø 14x1.78 (2056)	245 1
24	94.7360.00	Molla Ø 8.6x16.5	245 1
25	97.4838.00	Sfera Ø 13/32"	245 2
26	90.3585.00	OR Ø 10.82x1.78 (2043)	245 1
27	36.3265.66	Sede valvola	245 1
28	36.3259.41	Corpo valvola	1
29	90.3823.00	OR Ø 9.92x2.62 (112)	245 1
30	36.3267.70	Nipplo G 3/8"	1
31	90.3597.00	OR Ø 18.77x1.78 (2075)	245 1
32	36.3104.51	Guida valvola	245 1
33	94.7355.00	Molla Ø 8.5x12	245 1
34	36.3297.51	Forcella	1
35	36.3260.51	Pomolo	1

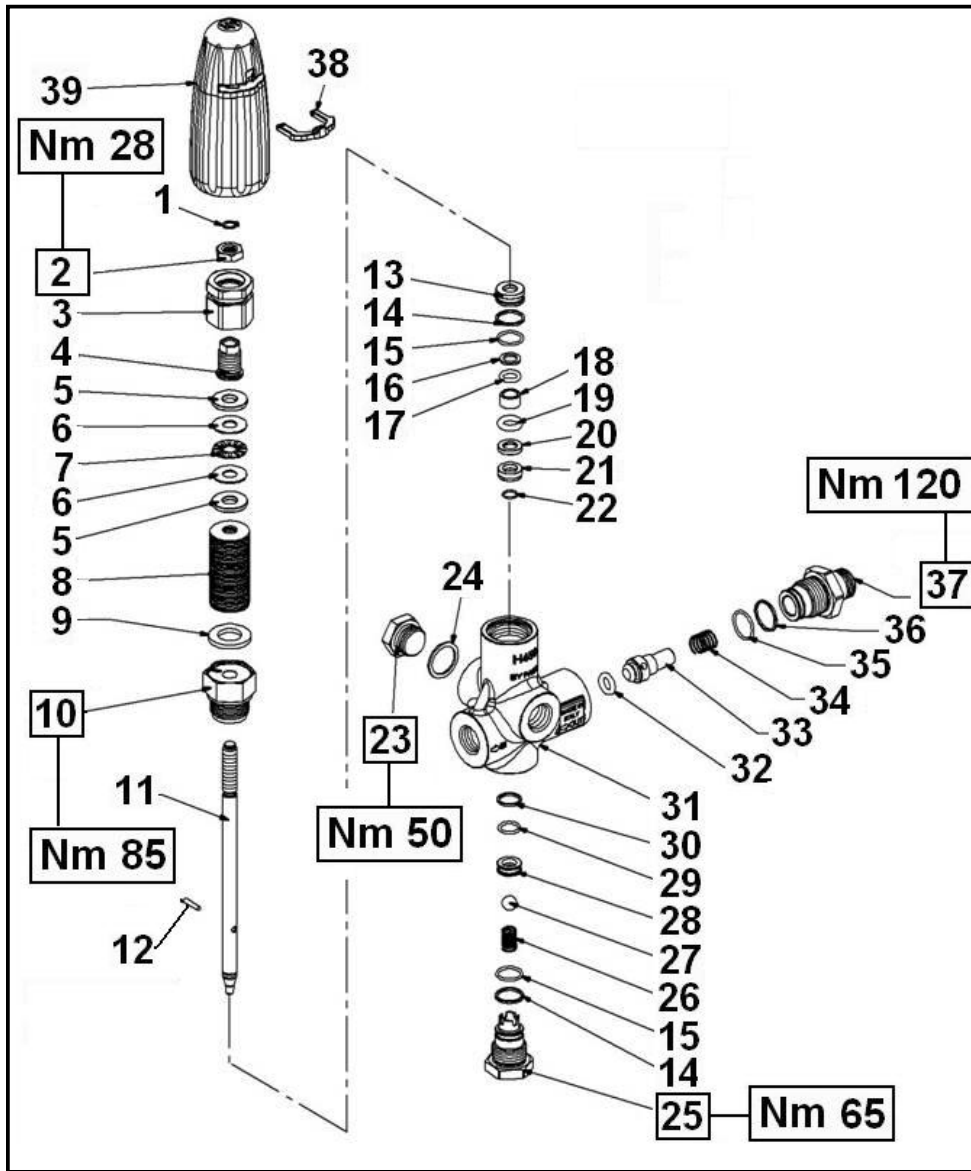
**H440****KIT RICAMBI – SPARE KITS**

KIT NR.	KIT 185
<b>Posizioni incluse</b>	<b>8 – 14 – 15 – 16</b>
<b>Positions included</b>	<b>17 – 19 – 20 – 22</b>
	<b>26 – 27 – 28 – 29</b>
	<b>30 – 32 – 35 - 36</b>
<b>Nr. Pcs.</b>	<b>1</b>

**DISTINTA – SPARE PARTS**

POS	COD.	DESCRIZIONE – DESCRIPTION KIT	NR
1	90.0531.00	Anello seeger Ø 8 UNI 7435	1
2	92.2368.00	Dado M10x8 UNI 5589	1
3	36.3307.64	Ghiera di regolazione pressione	1
4	36.3306.64	Vite di taratura pressione massima	1
5	36.3310.64	Piattello	2
6	91.7909.00	Ralla 10x24x1	2
7	91.7908.00	Cuscinetto a rulli 10x24x2	1
8	94.8525.00	Molla a tazza Ø 28x10.2x1.25	185 39
9	96.7370.00	Rosetta Ø 17x30x3	1
10	36.3305.70	Boccola di guida	1
11	36.3304.66	Asta valvola	1
12	97.6133.00	Spina Ø 3x17.5	1
13	36.3308.70	Bussola di guida	1
14	90.5100.00	Anello antiest. Ø 17.3x20x1.5	185 2
15	90.3593.00	OR Ø 15.6x1.78 (2062)	185 2
16	90.5062.00	Anello antiest. Ø 10x14.7x1.5	185 1
17	90.3823.00	OR Ø 9.92x2.62 (112)	185 1
18	36.3315.82	Distanziale	1
19	90.4175.00	OR Ø 10x4	185 1
20	90.5059.00	Anello antiest. Ø 10x17x2	185 1

POS	COD.	DESCRIZIONE – DESCRIPTION KIT	NR
21	36.3309.66	Bussola di bloccaggio	1
22	90.0064.00	Anello seeger Ø 10	185 1
23	98.2176.00	Tappo G 1/2"x10	1
24	94.7514.00	Rosetta Ø 21.5x27x1.5	1
25	36.3313.70	Tappo M24x1.5	1
26	94.7374.00	Molla Ø 9.3x15.5	185 2
27	97.4838.00	Sfera 13/32"	185 1
28	36.3311.66	Sede valvola	185 1
29	90.3589.00	OR Ø 12.42x1.78 (2050)	185 1
30	90.5081.00	Anello antiest. Ø 14.4x17x1.5	185 1
31	36.3303.41	Corpo valvola	1
32	90.4028.00	OR Ø 9.12x3.53 (4036)	185 1
33	36.3289.70	Otturatore	1
34	36.3314.82	Boccola di guida otturatore	1
35	90.3596.00	OR Ø 18.77x1.78 (2075)	185 1
36	90.5131.00	Anello antiest. Ø 20.4x23x1.15	185 1
37	36.3312.70	Nipplo G 1/2"	1
38	36.3296.51	Forcella	1
39	36.3293.51	Pomolo	1

**H450****KIT RICAMBI – SPARE KITS**

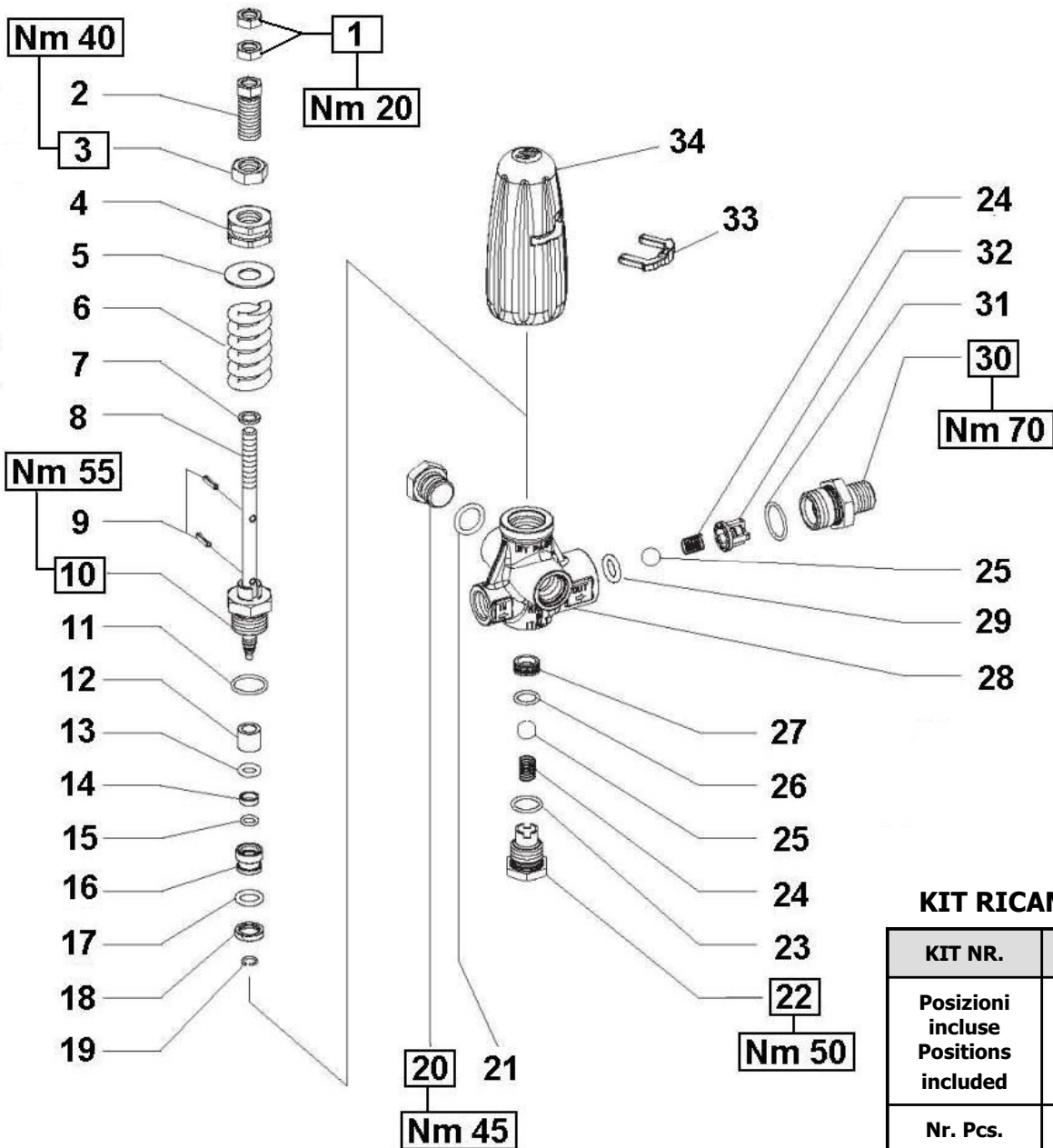
KIT NR.	KIT 185
<b>Posizioni incluse</b>	<b>8 – 14 – 15 – 16</b>
<b>Positions included</b>	<b>17 – 19 – 20 – 22</b>
	<b>26 – 27 – 28 – 29</b>
	<b>30 – 32 – 35 - 36</b>
<b>Nr. Pcs.</b>	<b>1</b>

**DISTINTA – SPARE PARTS**

POS	COD.	DESCRIZIONE – DESCRIPTION KIT	NR
1	90.0531.00	Anello seeger Ø 8 UNI 7435	1
2	92.2368.00	Dado M10x8 UNI 5589	1
3	36.3307.64	Ghiera di regolazione pressione	1
4	36.3306.64	Vite di taratura pressione massima	1
5	36.3310.64	Piattello	2
6	91.7909.00	Ralla 10x24x1	2
7	91.7908.00	Cuscinetto a rulli 10x24x2	1
8	94.8525.00	Molla a tazza Ø 28x10.2x1.25	185 39
9	96.7370.00	Rosetta Ø 17x30x3	1
10	36.3305.70	Boccola di guida	1
11	36.3304.66	Asta valvola	1
12	97.6133.00	Spina Ø 3x17.5	1
13	36.3308.70	Bussola di guida	1
14	90.5100.00	Anello antiest. Ø 17.3x20x1.5	185 2
15	90.3593.00	OR Ø 15.6x1.78 (2062)	185 2
16	90.5062.00	Anello antiest. Ø 10x14.7x1.5	185 1
17	90.3823.00	OR Ø 9.92x2.62 (112)	185 1
18	36.3315.82	Distanziale	1
19	90.4175.00	OR Ø 10x4	185 1
20	90.5059.00	Anello antiest. Ø 10x17x2	185 1

POS	COD.	DESCRIZIONE – DESCRIPTION KIT	NR
21	36.3309.66	Bussola di bloccaggio	1
22	90.0064.00	Anello seeger Ø 10	185 1
23	98.2176.00	Tappo G 1/2"x10	1
24	94.7514.00	Rosetta Ø 21.5x27x1.5	1
25	36.3313.70	Tappo M24x1.5	1
26	94.7374.00	Molla Ø 9.3x15.5	185 2
27	97.4838.00	Sfera 13/32"	185 1
28	36.3311.66	Sede valvola	185 1
29	90.3589.00	OR Ø 12.42x1.78 (2050)	185 1
30	90.5081.00	Anello antiest. Ø 14.4x17x1.5	185 1
31	36.3368.41	Corpo valvola	1
32	90.4028.00	OR Ø 9.12x3.53 (4036)	185 1
33	36.3288.70	Otturatore	1
34	94.7409.00	Molla Ø 12.7x15	1
35	90.3596.00	OR Ø 18.77x1.78 (2075)	185 1
36	90.5131.00	Anello antiest. Ø 20.4x23x1.15	185 1
37	36.3365.70	Nipplo G 1/2"	1
38	36.3296.51	Forcella	1
39	36.3293.51	Pomolo	1

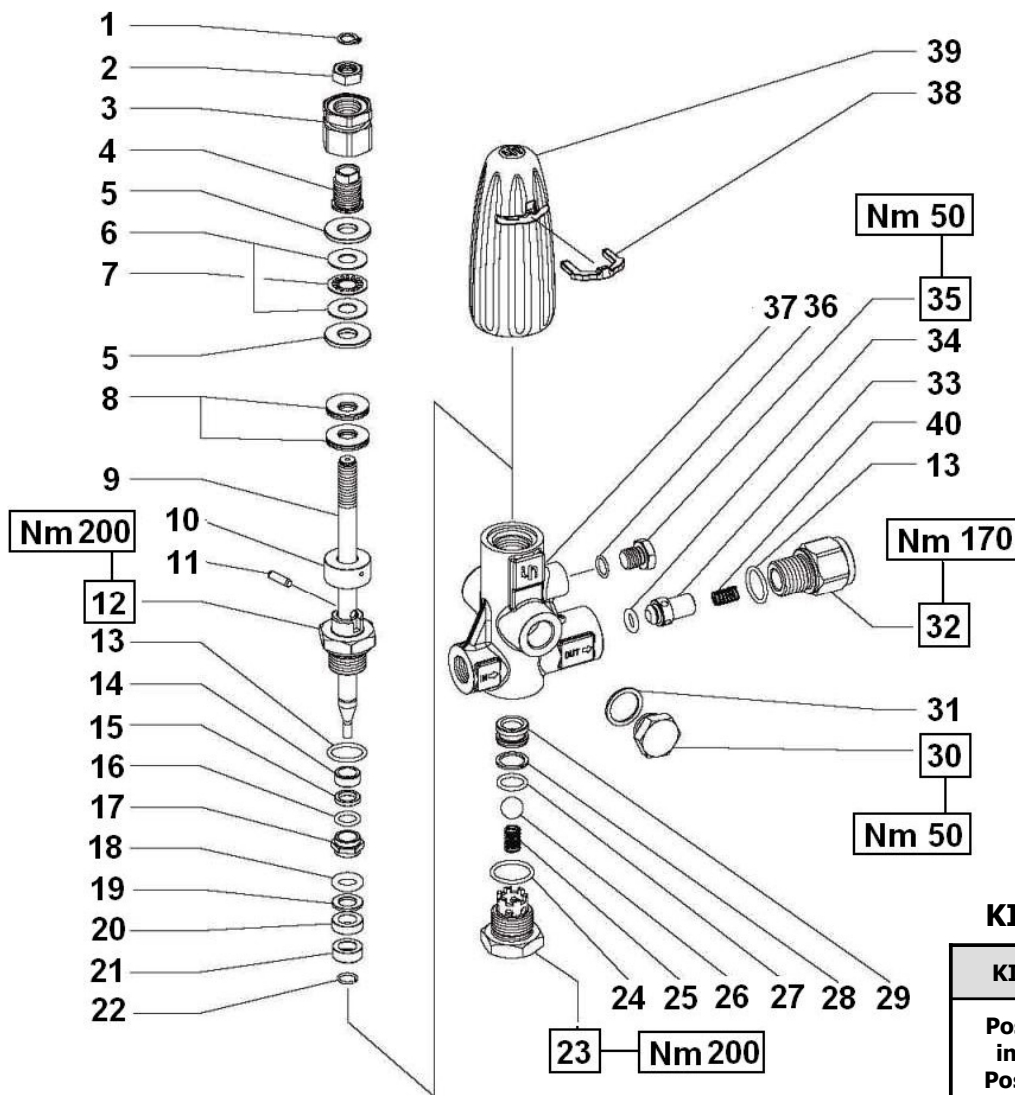


**H253SS****KIT RICAMBI – SPARE KITS**

KIT NR.	KIT 187
Posizioni include Positions included	6 – 11 – 12 – 13 – 15 17 – 18 – 19 – 21 – 23 24 - 25 – 26 – 27 – 29 31 - 32
Nr. Pcs.	1

POS	COD.	DESCRIZIONE – DESCRIPTION KIT	NR
1	92.2200.00	Dado M8x5x13 UNI 5589	2
2	36.3262.64	Vite di taratura pressione massima	1
3	92.2400.00	Dado M12x7x19 UNI 5589	1
4	36.3261.64	Ghiera regolazione pressione	1
5	96.7780.00	Rosetta Ø 28x12.5x1	1
6	94.7508.00	Molla Ø 21x60	187 1
7	96.7037.00	Rosetta Ø 8.5x12x1.5	1
8	36.3318.66	Asta valvola	1
9	97.6658.00	Spina Ø 3x12 UNI 6876	2
10	36.3319.66	Boccola guida asta	1
11	90.3595.00	OR Ø 17.17x1.78 (2068)	187 1
12	36.3327.72	Boccola di guida	187 1
13	90.3818.00	OR Ø 7.59x2.62 (3030)	187 1
14	36.3326.72	Distanziale	1
15	90.3576.00	OR Ø 6.75x1.78 (106)	187 1
16	36.3321.66	Pistoncino di comando	1
17	90.3825.00	OR Ø 10.78x2.62 (3043)	187 1

POS	COD.	DESCRIZIONE – DESCRIPTION KIT	NR
18	36.3325.72	Anello di guida	187 1
19	90.0063.00	Anello seeger Ø 8	187 1
20	98.2100.00	Tappo G 3/8"x13	1
21	90.3833.00	OR Ø 13.62x2.62 (3056)	187 1
22	36.3323.66	Tappo M18x1.5	1
23	90.3592.00	OR Ø 14x1.78 (2056)	187 1
24	94.7355.00	Molla Ø 8.5x12	187 1
25	97.4838.00	Sfera Ø 13/32"	187 2
26	90.3585.00	OR Ø 10.82x1.78 (2043)	187 1
27	36.3322.66	Sede valvola	187 1
28	36.3320.36	Corpo valvola	1
29	90.3823.00	OR Ø 9.92x2.62 (112)	187 1
30	36.3324.66	Nipplo G 3/8"	1
31	90.3597.00	OR Ø 18.77x1.78 (2075)	187 1
32	36.3104.51	Guida valvola	187 1
33	36.3297.51	Forcella	1
34	36.3260.51	Pomolo	1

**H560****KIT RICAMBI – SPARE KITS**

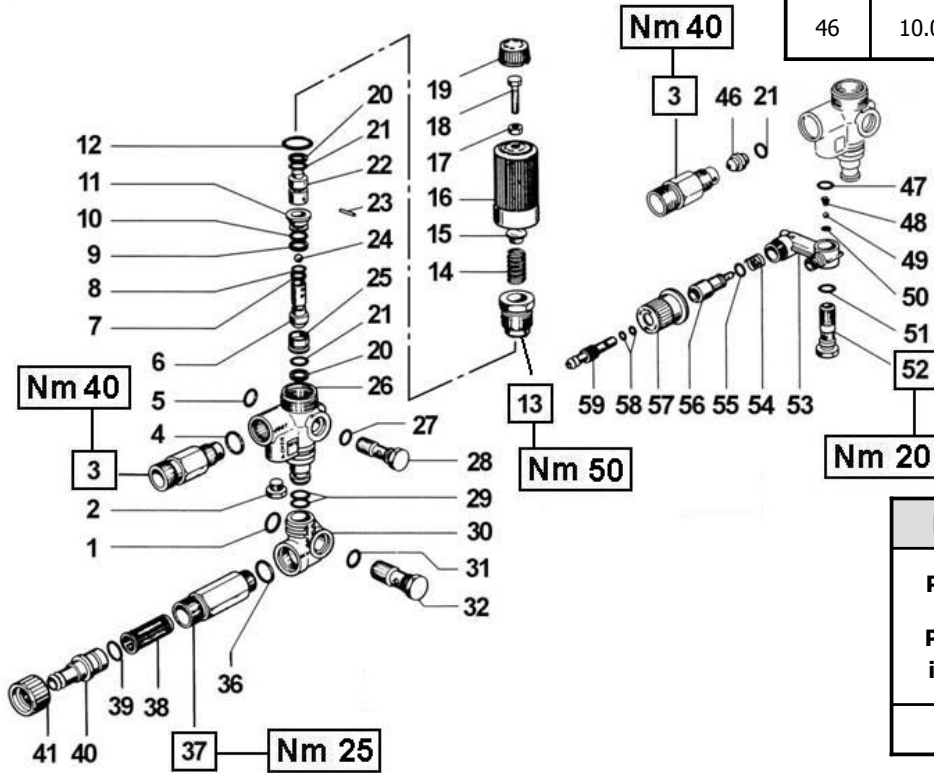
KIT NR.	KIT 179
<b>Posizioni includi Positions included</b>	<b>8 – 13 – 15 – 16 18 – 19 – 22 – 24 25 – 26 – 27 – 28 29 – 34 – 36 – 40</b>
<b>Nr. Pcs.</b>	<b>1</b>

POS	COD.	DESCRIZIONE – DESCRIPTION KIT	NR
1	90.0545.00	Anello elastico Ø 10 UNI 7435	1
2	92.2400.00	Dado M12x7x19 UNI 5589	1
3	36.3295.64	Ghiera regolazione pressione	1
4	36.3294.64	Vite taratura pressione massima	1
5	36.3284.66	Piattello	2
6	91.7911.00	Ralla Ø 12x26x1	2
7	91.7910.00	Gabbia a rullini Ø 12x26x2	1
8	94.8530.00	Molla a tazza Ø 28x12.2x1.5	179 30
9	36.3279.66	Asta valvola	1
10	36.3285.66	Boccola appoggio molle	1
11	97.6149.00	Spina Ø 5x18 UNI 1707	1
12	36.3280.66	Boccola guida asta	1
13	90.3849.00	OR Ø 20.63x2.62 (128)	179 2
14	36.3290.70	Bussola di guida Ø 16.5	1
15	90.5072.00	Anello antiest. Ø 12x16.5x3	179 1
16	90.3827.00	OR Ø 11.91x2.62 (115)	179 1
17	36.3292.70	Distanziale	179 1
18	90.4200.00	OR Ø 12x4.5	179 1
19	90.5074.00	Anello antiest. Ø 12x20x2	179 1
20	36.3291.70	Buccola di guida Ø 20	11

POS	COD.	DESCRIZIONE – DESCRIPTION KIT	NR
21	36.3286.66	Bussola di bloccaggio	1
22	90.0068.00	Anello di arresto Ø 12	179 1
23	36.3283.66	Tappo M27x1.5	1
24	90.3855.00	OR Ø 23.47x2.62 (3093)	179 1
25	94.7374.00	Molla Ø 9.3x15.5	179 1
26	97.4876.00	Sfera 9/16"	179 1
27	90.3835.00	OR Ø 15.08x2.62 (119)	179 1
28	90.5094.00	Anello antiest. Ø 16.7x21x1.5	179 1
29	36.3285.66	Sede valvola	179 1
30	98.2180.00	Tappo G 1/2"x10	1
31	96.7514.00	Rosetta Ø 21.5x27x1.5	1
32	36.3287.66	Nipplo G 1/2"F	1
33	36.3288.70	Otturatore	1
34	90.4028.00	OR Ø 9.12x3.53 (4036)	179 1
35	98.2044.00	Tappo G 1/4"x13	1
36	90.3585.00	OR Ø 10.82x1.78 (2043)	179 1
37	36.3278.36	Corpo valvola	1
38	36.3296.51	Forcella	1
39	36.3293.51	Pomolo	1
40	94.7409.00	Molla Ø 12.7x15	179 1

DIS. COD. 36.9501.00

**CONTROLSET W1**



POS	COD.	DESCRIZIONE - DESCRIPTION	NR
46	10.0151.66	Type 0 - (8÷11 l/min.) Ugello - Nozzle Ø 2	1
46	10.0076.66	Type 1 - (12÷15 l/min.) Ugello - Nozzle Ø 2.2	1

**KIT RICAMBI - SPARE KITS**

KIT NR.	KIT 94	KIT 98
<b>Posizioni includi Positions included</b>	<b>4 - 21 - 47 48 - 49 - 50 51 - 54 - 55 58</b>	<b>6 - 7 - 8 - 9 10 - 11 - 12 13 - 20 - 21 22 - 23 - 24 25</b>
<b>Nr. Pcs.</b>	<b>1</b>	<b>1</b>

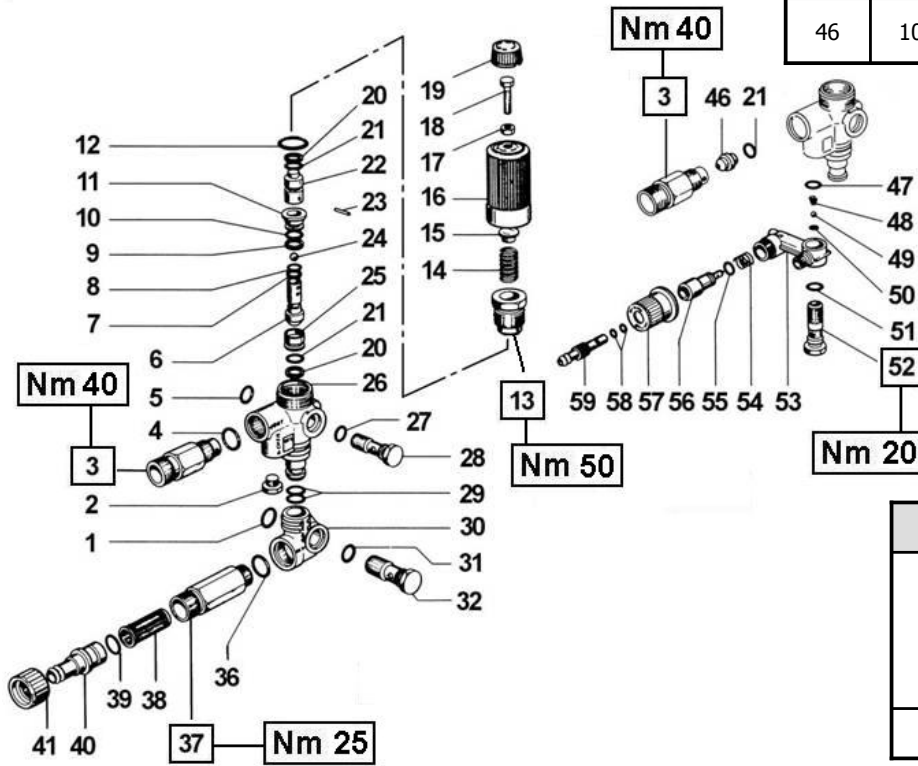
**DISTINTA - SPARE PARTS**

POS	COD.	DESCRIZIONE - DESCRIPTION KIT	NR
1	90.3839.00	OR Ø 15.88x2.62 (121)	1
2	98.2057.00	Tappo M14x1.5	1
3	10.0147.70	Nipplo M22x1.5 con Ø 3	1
	10.0078.70	Nipplo G 3/8" con Ø 3	1
	10.0318.70	Nipplo G 3/8" NPT con Ø 3 - Vs USA	1
4	90.3832.00	OR Ø 13.95x2.62 (3056)	94 1
5	90.3833.00	OR Ø 13.95x2.62 (3056)	1
6	36.3167.66	Valvola	98 1
7	90.5025.00	Anello antiest. Ø 7x10x1.5	98 1
8	90.3575.00	OR Ø 6.75x1.78 (106)	98 1
9	90.5075.00	Anello antiest. Ø 13x16x1.5	98 1
10	90.3589.00	OR Ø 12.42x1.78 (2050)	98 1
11	36.3165.70	Guida valvola	98 1
12	90.3847.00	OR Ø 20.24x2.62 (3081)	98 1
13	36.3166.70	Boccola di guida	98 1
14	94.7436.00	Molla Ø 15x35	1
15	36.3169.70	Piattello molla	1
16	36.3171.02	Pomolo	1
17	92.2200.00	Dado M8x5x13 UNI 5589	1
18	99.3052.00	Vite M8x20	1
19	36.3172.51	Cappello	1
20	90.5065.00	Anello antiest. Ø 10.6x15x2	98 2
21	90.3822.00	OR Ø 9.92x2.62 (112)	98 3
22	36.3168.66	Pistoncino di comando	98 1
23	97.6132.00	Spina Ø 3x14.5	98 1
24	97.4800.00	Sfera Ø 9/32"	98 1
25	36.3164.66	Sede valvola	98 1
26	36.3163.01	Corpo valvola	1

POS	COD.	DESCRIZIONE - DESCRIPTION KIT	NR
27	90.3820.00	OR Ø 9.13x2.62 (109)	1
28	36.2567.70	Vite di fissaggio valvola G 1/4"	1
29	90.3825.00	OR Ø 10.78x2.62 (3043)	2
30	36.3152.22	Raccordo aspirazione	1
31	90.3827.00	OR Ø 11.91x2.62 (115)	1
32	36.2568.70	Vite di fissaggio valvola G 3/8"	1
36	90.3591.00	OR Ø 14x1.78 (2056)	1
37	36.2560.70	Nipplo aspiraz. M22x1.5	1
	36.2584.70	Nipplo aspiraz. 1/2" NPT - Vs USA	1
38	92.8925.00	Filtro Ø 12x35	1
39	90.3828.00	OR Ø 12.37x2.62 (3050)	1
40	36.2569.70	Portagomma aspirazione	1
41	10.0119.02	Ghiera	1
46	***	Vedi tabella A - See table A	-
47	90.3582.00	OR Ø 9.25x1.78 (2037)	94 1
48	94.8217.00	Molla conica Ø 4.3/7.3x11	94 1
49	97.4782.00	Sfera Ø 7/32"	94 1
50	90.3572.00	OR Ø 5.28x1.78 (2021)	94 1
51	90.3585.00	OR Ø 10.82x1.78 (2043)	94 1
52	36.2563.70	Sede valvola	1
53	36.2562.51	Corpo dosatore	1
54	94.7383.00	Molla Ø 9.75x10	94 1
55	90.3580.00	OR Ø 8.73x1.78 (108)	94 1
56	36.2564.70	Otturatore	1
57	36.2565.51	Pomolo	1
58	90.3570.00	OR Ø 4.48x1.78 (2018)	94 2
59	36.2566.70	Innesto portagomma	1

DIS. COD. 36.9501.00

**CONTROLSET W1L**



POS	COD.	DESCRIZIONE - DESCRIPTION	NR
46	10.0151.66	Type 0 - (8÷11 l/min.) Ugello - Nozzle Ø 2	1
46	10.0076.66	Type 1 - (12÷15 l/min.) Ugello - Nozzle Ø 2.2	1

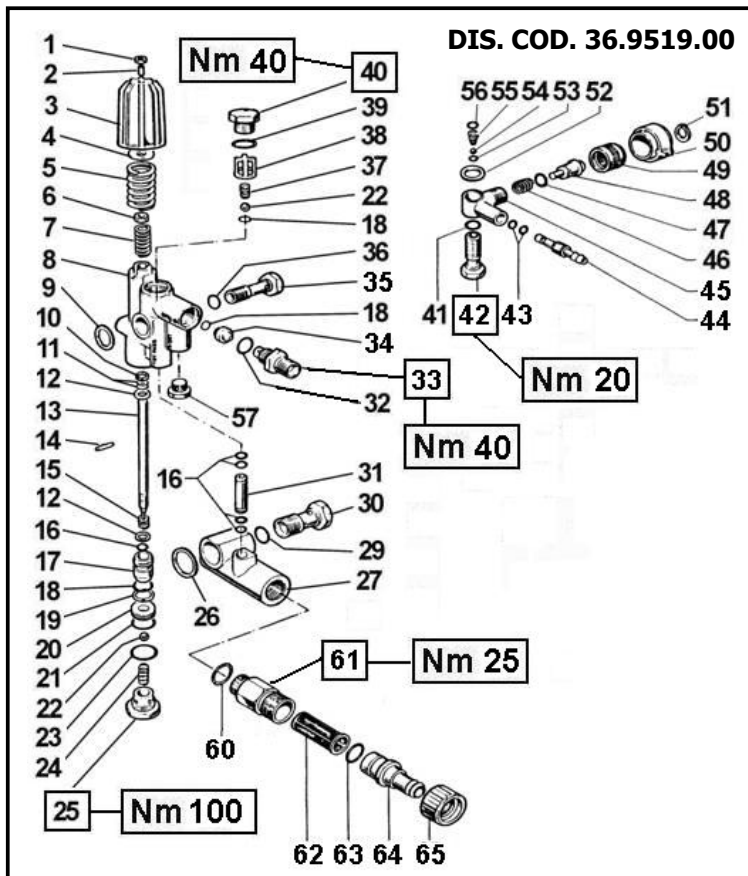
**KIT RICAMBI - SPARE KITS**

KIT NR.	KIT 94	KIT 98
<b>Posizioni includi Positions included</b>	<b>4 - 21 - 47 48 - 49 - 50 51 - 54 - 55 58</b>	<b>6 - 7 - 8 - 9 10 - 11 - 12 13 - 20 - 21 22 - 23 - 24 25</b>
<b>Nr. Pcs.</b>	<b>1</b>	<b>1</b>

**DISTINTA - SPARE PARTS**

POS	COD.	DESCRIZIONE - DESCRIPTION KIT	NR
1	93.1972.00	Rondella ditenuta G 1/2"	1
2	98.2057.00	Tappo M14x1.5	1
3	10.0147.70	Nipplo M22x1.5 con Ø 3	1
	10.0078.70	Nipplo G 3/8" con Ø 3	1
	10.0318.70	Nipplo G 3/8" NPT con Ø 3 - Vs USA	1
4	90.3832.00	OR Ø 13.95x2.62 (3056)	94 1
5	93.1858.00	Rondella di tenuta G 3/8"	1
6	36.3167.66	Valvola	98 1
7	90.5025.00	Anello antiest. Ø 7x10x1.5	98 1
8	90.3575.00	OR Ø 6.75x1.78 (106)	98 1
9	90.5075.00	Anello antiest. Ø 13x16x1.5	98 1
10	90.3589.00	OR Ø 12.42x1.78 (2050)	98 1
11	36.3165.70	Guida valvola	98 1
12	90.3847.00	OR Ø 20.24x2.62 (3081)	98 1
13	36.3166.70	Boccola di guida	98 1
14	94.7436.00	Molla Ø 15x35	1
15	36.3169.70	Piattello molla	1
16	36.3171.02	Pomolo	1
17	92.2200.00	Dado M8x5x13 UNI 5589	1
18	99.3052.00	Vite M8x20	1
19	36.3172.51	Cappellotto	1
20	90.5065.00	Anello antiest. Ø 10.6x15x2	98 2
21	90.3822.00	OR Ø 9.92x2.62 (112)	98 3
22	36.3168.66	Pistoncino di comando	98 1
23	97.6132.00	Spina Ø 3x14.5	98 1
24	97.4800.00	Sfera Ø 9/32"	98 1
25	36.3164.66	Sede valvola	98 1
26	36.3173.01	Corpo valvola	1

POS	COD.	DESCRIZIONE - DESCRIPTION KIT	NR
27	90.3827.00	OR Ø 11.91x2.62 (115)	1
28	36.2568.70	Vite di fiss. valvola G 3/8"	1
29	90.3825.00	OR Ø 10.78x2.62 (3043)	2
30	36.3174.22	Raccordo aspirazione	1
31	90.3841.00	OR Ø 17.13x2.62 (3068)	1
32	36.3175.70	Vite di fiss. valvola G 1/2"	1
36	90.3841.00	OR Ø 17.13x2.62 (3068)	1
37	36.3178.70	Nipplo aspiraz. M22X1.5	1
38	92.8925.00	Filtro Ø 12x35	1
39	90.3828.00	OR Ø 12.37x2.62 (3050)	1
40	36.2569.70	Portagomma aspirazione	1
41	10.0119.02	Ghiera	1
46	***	Vedi tabella A - See table A	-
47	90.3582.00	OR Ø 9.25x1.78 (2037)	94 1
48	94.8217.00	Molla conica Ø 4.3/7.3x11	94 1
49	97.4782.00	Sfera Ø 7/32"	94 1
50	90.3572.00	OR Ø 5.28x1.78 (2021)	94 1
51	90.3585.00	OR Ø 10.82x1.78 (2043)	94 1
52	36.2563.70	Sede valvola	1
53	36.2562.51	Corpo dosatore	1
54	94.7383.00	Molla Ø 9.75x10	94 1
55	90.3580.00	OR Ø 8.73x1.78 (108)	94 1
56	36.2564.70	Otturatore	1
57	36.2565.51	Pomolo	1
58	90.3570.00	OR Ø 4.48x1.78 (2018)	94 2
59	36.2566.70	Innesto portagomma	1



**DISTINTA – SPARE PARTS**

POS	COD.	DESCRIZIONE – DESCRIPTION KIT	NR
1	92.2020.00	Dado M6x4x10 UNI 5589	1
2	99.1848.00	Vite M6x16 UNI 5923	1
3	36.3145.02	Pomolo	1
4	36.3141.64	Piattello molla	94 1
5	94.7516.00	Molla Ø 21.5x46	93 1
6	92.2200.00	Dado M8x5x13 UNI 5589	1
7	94.7400.00	Molla Ø 11.8x28.5	1
8	36.3134.01	Corpo valvola	1
9	93.1858.00	Rondella di tenuta G 3/8"	1
10	90.5034.00	Anello antiest. Ø 8x10.7x1.5	93 1
11	90.3577.00	OR Ø 7.66x1.78 (2031)	93 2
12	96.7009.00	Rosetta Ø 8x14x1.5	2
13	36.3143.73	Guida pistone	1
14	97.6660.00	Spina elastica	1
15	94.7384.00	Molla Ø 9.8x11.8	93 1
16	90.3574.00	OR Ø 6.07x1.78 (2025)	93 5
17	36.3142.66	Pistoncino di comando	1
18	90.3822.00	OR Ø 9.92x2.62 (112)	93 3
19	90.5065.00	Anello antiest. Ø 10.6x15x2	93 1
20	36.3137.66	Sede valvola	93 1
21	90.3593.00	OR Ø 15.6x1.78 (2062)	93-94 1
22	97.4838.00	Sfera Ø 13/32"	93 2
23	90.3843.00	OR 17.86x2.62 (123)	93 1
24	94.7374.00	Molla Ø 9.3x15.5	93 1
25	36.3136.70	Tappo M22x1.5	1
26	93.1972.00	Rondella di tenuta G 1/2"	1
27	36.3135.22	Raccordo aspirazione	1
29	90.3841.00	OR Ø 17.13x2.62 (3068)	93 1

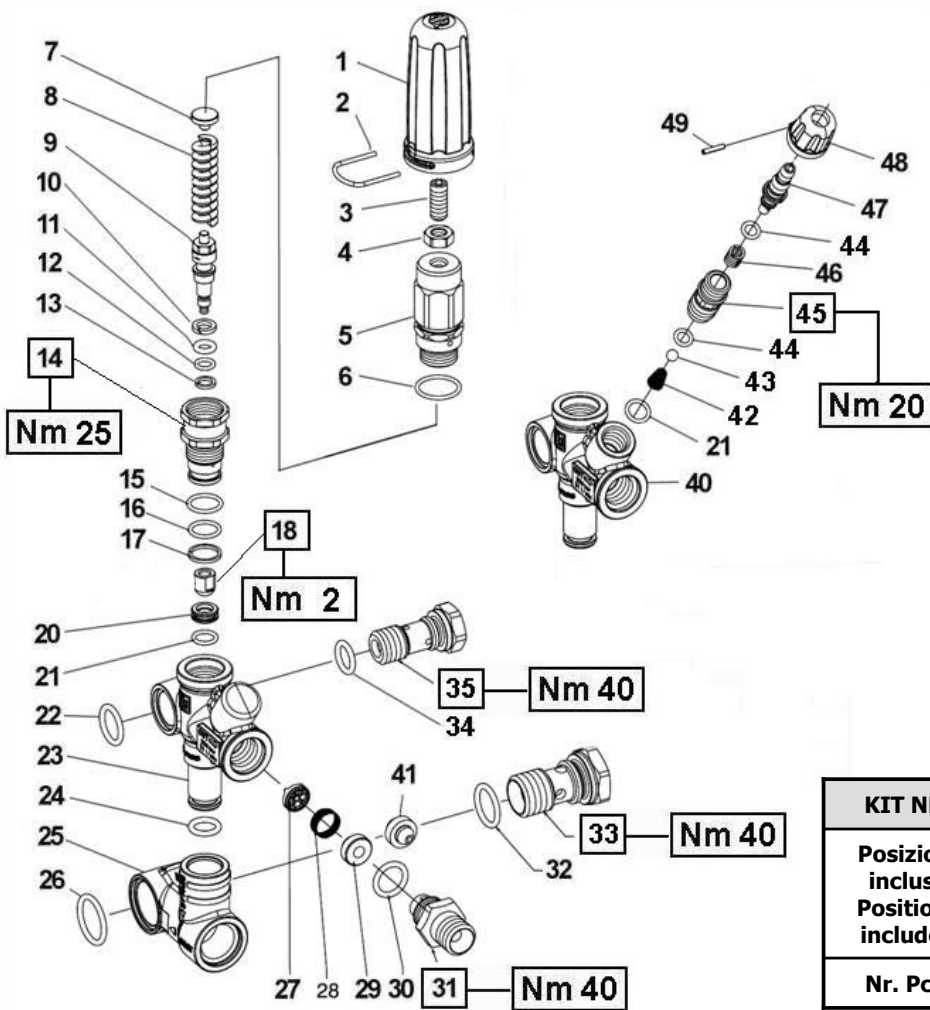
**CONTROLSET W2- W2L**

**KIT RICAMBI – SPARE KITS**

KIT NR.	KIT 93	KIT 94
<b>Posizioni incluse</b>	<b>5 – 10 – 11 – 15 – 16</b>	<b>4 – 21 – 47</b>
<b>Positions included</b>	<b>18 - 19 - 20</b>	<b>48 - 49 - 50</b>
	<b>21 - 22 - 23 - 24</b>	<b>51 - 54 - 55</b>
	<b>29 - 36 - 37 - 38 - 39</b>	<b>56</b>
<b>Nr. Pcs.</b>	<b>1</b>	<b>1</b>

POS	COD.	DESCRIZIONE - DESCRIPTION	NR
34	10.0151.66	Type 0 (8÷11 l/min.) Ugello Ø 2	1
34	10.0076.66	Type 1 (12÷15 l/min.) Ugello Ø 2.2	1
34	10.0077.66	Type 2 (16÷21 l/min.) Ugello Ø 2.5	1

POS	COD.	DESCRIZIONE – DESCRIPTION KIT	NR
30	36.3139.70	Vite di fissaggio G 1/2"	1
31	36.3138.93	Tubo by-pass - Serie 44-49-50-52	1
	36.3162.93	Tubo by-pass - Serie 47	1
	36.3298.93	Tubo by-pass - Serie 63	1
32	90.3832.00	OR Ø 13.95x2.62 (3056)	1
33	10.0078.70	Nipplo G 3/8" con Ø 3	1
	10.0147.70	Nipplo M22x1.5 con Ø 3	1
34	***	Vedere tabella A – See table A	-
35	36.3140.70	Vite di fissaggio G 3/8"	1
36	90.3827.00	OR Ø 11.91x2.62 (115)	1
37	94.7355.00	Molla Ø 8.5x12	93 1
38	36.3104.51	Guida valvola	93 1
39	90.3839.00	OR Ø 15.88x2.62 (121)	93 1
40	98.2152.00	Tappo M20x1.5x12	1
41	90.3585.00	OR Ø 10.82x1.78 (2043)	1
42	36.2563.70	Sede valvola	1
43	90.3570.00	OR Ø 4.48x1.78 (2018)	1
44	36.2566.70	Innesto portagomma	1
45	36.3146.41	Corpo dosatore	1
46	94.7383.00	Molla Ø 9.75x10	1
47	90.3580.00	OR Ø 8.73x1.78 (108)	94 1
48	36.3147.70	Otturatore	94 1
49	36.3148.70	Inserito per pomolo	94 1
50	36.3149.51	Pomolo	94 1
51	90.0545.00	Anello seeger Ø 10 UNI 7435	94 1
52	96.7280.00	Rosetta Ø 14x18x0.5	1
53	90.3572.00	OR Ø 5.28x1.78 (2021)	1
54	97.4782.00	Sfera Ø 7/32"	94 1
55	94.8217.00	Molla conica Ø 4.3/7.3x11	94 1
56	90.3582.00	OR Ø 9.25x1.78 (2037)	94 1
57	98.2057.00	Tappo M14x1.5	1
60	90.3594.00	OR Ø 17.17x1.78 (2068)	1
61	36.3178.70	Nipplo aspirazione M22x1.5xG 1/2"	1
62	92.8927.00	Filtro Ø 15x67	1
63	90.3828.00	OR Ø 12.37x2.62 (3050)	1
64	36.2569.70	Portagomma aspirazione	1
65	10.0119.02	Ghiera	1

**CONTROLSET W3****KIT RICAMBI – SPARE KITS**

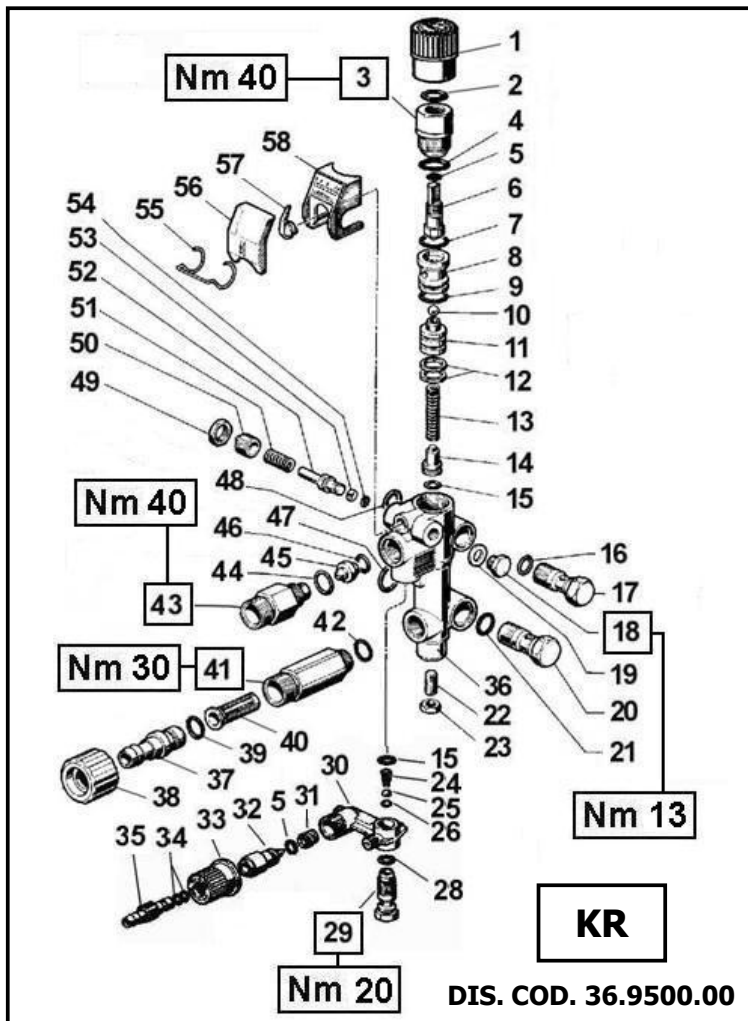
KIT NR.	KIT 241	KIT 242
<b>Posizioni incluse</b> <b>Positions included</b>	<b>9 – 10 – 11</b> <b>12 – 13 – 14</b> <b>15 – 16 – 17</b> <b>18 – 20 - 21</b>	<b>21 – 27 – 28</b> <b>30 – 42 - 43</b> <b>44 - 46</b>
<b>Nr. Pcs.</b>	<b>1</b>	<b>1</b>

**DISTINTA – SPARE PARTS**

POS	COD.	DESCRIZIONE – DESCRIPTION KIT	NR
1	36.3346.51	Pomolo di regolazione	1
2	10.0673.66	Forcella di fermo	1
3	99.3054.00	Vite M8x20 UNI 5923	1
4	92.2218.00	Dado M8x5x13 UNI 5589	1
5	36.3337.70	Registro di pressione	1
6	90.3596.00	OR Ø 18.77x1.78 (2075)	1
7	36.3345.64	Piattello molla	1
8	94.7371.00	Molla Ø 9.1x45	1
9	36.3360.66	Pistoncino di comando	241 1
10	90.5027.00	Anello antiest. Ø 7.2x11.5x2	241 1
11	90.3817.00	OR Ø 6.02x2.62 (3024)	241 1
12	90.3576.00	OR Ø 12.42x1.78 (106)	241 1
13	90.5024.00	Anello antiest. Ø 13.4x16x1.5	241 1
14	36.3335.70	Boccola di guida	241 1
15	90.3591.00	OR Ø 14x1.78 (2056)	241 1
16	90.3589.00	OR Ø 12.42x1.78 (2050)	241 1
17	90.5078.00	Anello antiest. Ø 13.4x16x1.5	241 1
18	36.3361.66	Valvola sferica	241 1
20	36.3344.66	Sede	241 1
21	90.3582.00	OR Ø 9.25x1.78 (2037)	241-242 2
22	90.3837.00	OR Ø 15.54x2.62 (3062)	1
23	36.3352.41	Corpo valvola no detergente	1
24	90.3825.00	OR Ø 10.78x2.62 (3043)	1
25	36.3343.22	Raccordo aspirazione	1

POS	COD.	DESCRIZIONE – DESCRIPTION KIT	NR
26	90.3849.00	OR Ø 20.63x2.62 (128)	1
27	36.3350.51	Valvola piana	242 1
28	94.7418.00	Molla Ø 13.2x7	242 1
29	36.3351.70	Distanziale	1
30	90.3833.00	OR Ø 13.92x2.62 (3056)	242 1
31	10.0078.70	Nipplo G 3/8" per ugello iniettore	1
	10.0147.70	Nipplo G 3/8"x22x1.5 con foro Ø 3	1
32	90.3841.00	OR Ø 17.13x2.62 (3068)	1
33	36.3340.70	Vite di fissaggio valvola G 1/2"	1
34	90.3827.00	OR Ø 11.91x2.62 (115)	1
35	36.3341.70	Vite di fissaggio valvola G 3/8"	1
<b>CON ASPIRAZIONE DETERGENTE – WITH CHEMICAL INJECTOR</b>			
40	36.3334.41	Corpo valvola	1
41	10.0151.66	Ugello Ø 2 (7÷10 l/min.)	1
	10.0076.66	Ugello Ø 2.2 (11÷15 l/min.)	1
	10.0077.66	Ugello Ø 2.5 (16÷21 l/min.)	1
42	94.8217.00	Molla conica Ø 4.3x7.3x11	242 1
43	97.4782.00	Sfera Ø 7/32"	242 1
44	90.3573.00	OR Ø 5.28x1.78 (2021)	242 2
45	36.3336.70	Sede valvola detergente	1
46	94.7334.00	Molla Ø 6.4x13	242 1
47	36.3342.70	Otturatore con portagomma	1
48	36.3347.51	Pomolo regolazione detergente	1
49	97.6615.00	Spina elastica Ø 2x12	1

## KIT RICAMBI – SPARE KITS

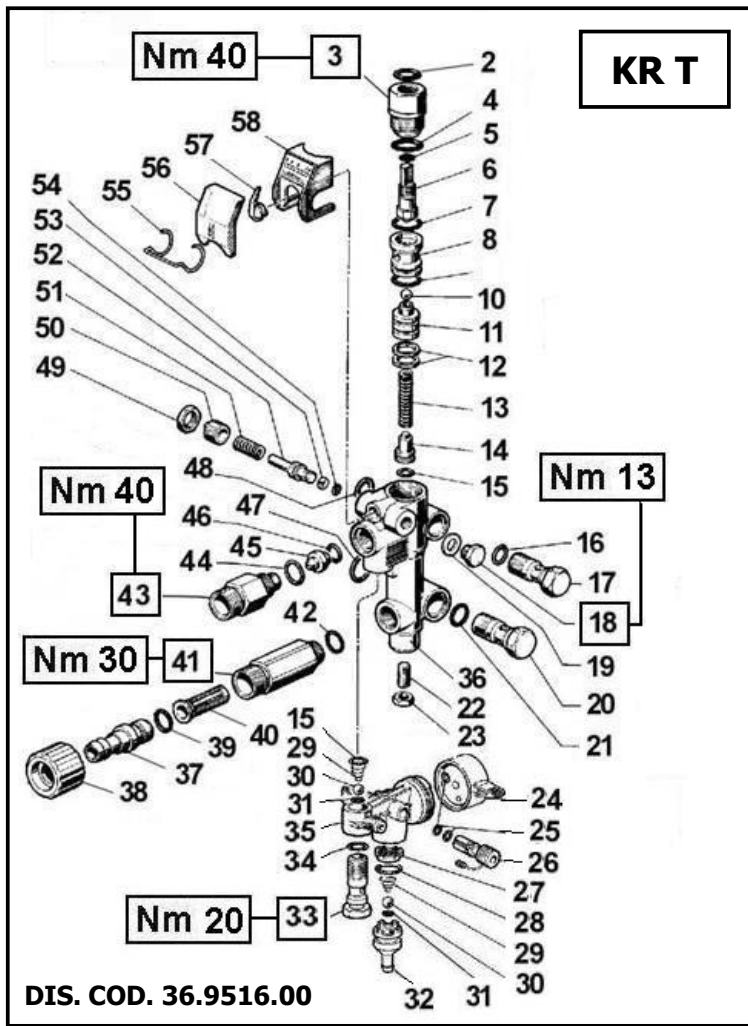


KIT NR.	KIT 94	KIT 95 KR1-2	KIT 99 KR90-92-100
<b>Posizioni incluse</b>	<b>5 – 15 – 24</b>	<b>2 – 4 – 5</b>	<b>2 – 4 – 5</b>
<b>Positions included</b>	<b>25 – 26 – 28</b>	<b>7 – 8 – 9</b>	<b>7 – 8 – 9</b>
	<b>31 – 34 – 44</b>	<b>10 – 12 – 13</b>	<b>10 – 12 – 13</b>
	<b>46</b>	<b>15 – 16 – 21</b>	<b>15 – 16 – 21</b>
		<b>39 – 42 – 47</b>	<b>39 – 42 – 47</b>
		<b>48 – 53 – 54</b>	<b>48 – 53 – 54</b>
<b>Nr. Pcs.</b>	<b>1</b>	<b>1</b>	<b>1</b>

TABELLA A – TABLE A				
MODEL	POS	COD.	DESCRIZIONE - DESCRIPTION	NR
KR1 KR90	11	36.2572.70	Pistoncino Ø 2.25	1
	45	10.0307.51	Ugello Ø 1.8	1
KR2 KR92	11	36.2553.70	Pistoncino Ø 2.8	1
	45	10.0151.66	Ugello Ø 2	1
KR100	11	36.2595.70	Pistoncino Ø 2.5	1
	45	10.0151.66	Ugello Ø 2	1

POS	COD.	DESCRIZIONE - DESCRIPTION KIT	NR
28	90.3585.00	OR Ø 10.82x1.78 (2043)	94 1
29	36.2563.70	Sede valvola	1
30	36.2562.51	Corpo dosatore	1
31	94.7383.00	Molla Ø 9.45x10	94 1
32	36.2564.70	Otturatore	1
33	36.2565.51	Pomolo - OPTIONAL	1
34	90.3570.00	OR Ø 4.48x1.78 (2018)	94 2
35	36.2566.70	Innesto portagomma - OPTIONAL	1
36	36.2582.41 36.2588.41	Corpo valvola Corpo valvola KR90-92-100	1 1
37	36.2569.70	Portagomma aspirazione	1
38	10.0119.02	Ghiera	1
39	90.3828.00	OR Ø 12.37x2.62 (3050)	95-99 1
40	92.8925.00	Filtro Ø 12x35	1
41	36.2560.70 36.2584.70	Nipplo aspiraz. M22x1.5 Nipplo aspiraz. G 1/2" NPT - Vs USA	1
42	90.3591.00	OR Ø 14x1.78 (2056)	95-99 1
43	10.0147.70 10.0318.70	Nipplo M22x1.5 con Ø 3 Nipplo 3/8" NPT con Ø 3 - Vs USA	1 1
44	90.3832.00	OR Ø 13.95x2.62 (3056)	94 1
45	***	Vedere tabella A – See table A	1
46	90.3822.00	OR Ø 9.92x2.62 (112)	94 1
47	90.3839.00	OR Ø 15.88x2.62 (121)	95-99 1
48	90.3833.00	OR Ø 13.95x2.62 (3056)	95-99 1
49	92.2492.00	Dado M14x17x3	1
50	36.2580.70	Vite di regolazione manometro	1
51	94.7338.00	Molla Ø 7.2x18	1
52	36.2579.70 36.2589.70	Pistoncino KR1-2 Pistoncino KR90-92-100	1 1
53	90.5007.00 90.5004.00	Anello ant. Ø4x6.8x1.5 KR1-2 Anello ant. Ø3.2x6x1.5 KR90-92-100	95 1 99 1
54	90.3568.00 90.3567.00	OR Ø 3.69x1.78 (2015) KR1-2 OR Ø 2.9x1.78 (2012) KR90-92-100	95 1 99 1
55	94.8718.00	Molla Ø 18	1
56	36.2577.51	Coperchio manometro	1
57	36.2578.51	Indicatore manometro	1
58	36.2586.01 36.2590.01	Quadrante manometro KR1-2 Quadrante manometro KR90-92-100	1 1

POS	COD.	DESCRIZIONE - DESCRIPTION KIT	NR
1	36.2583.51	Pomolo	1
2	90.3835.00	OR Ø 15.08x2.62 (119)	95-99 1
3	36.2556.70	Tappo	1
4	90.3847.00	OR Ø 20.24x2.62 (3081)	95-99 1
5	90.3580.00	OR Ø 8.73x1.78 (108)	94-95-99 2
6	36.2574.02	Assieme otturatore	1
7	90.3598.00	OR Ø 20.35x1.78 (2081)	95-99 1
8	36.2554.66	Sede valvola	95-99 1
9	90.3596.00	OR Ø 18.77x1.78 (2075)	95-99 1
10	97.4802.00	Sfera Ø 9/32"	95-99 1
11	***	Vedere tabella A – See table A	-
12	90.5080.00	Anello antiest. Ø 13.5x18x2	95-99 2
13	94.7344.00	Molla Ø 7.5x40	95-99 1
14	36.2552.70	Piattello molla	1
15	90.3582.00	OR Ø 9.25x1.78 (2037)	94-95-99 2
16	90.3820.00	OR Ø 9.13x2.62 (109)	95-99 1
17	36.2567.70	Vite di fissaggio valvola G 1/4"	1
18	98.1966.00	Tappo G 1/8"x8	1
19	96.7100.00	Rosetta Ø 10x14x1.5	1
20	36.2568.70	Vite di fissaggio valvola G 3/8"	1
21	90.3827.00	OR Ø 11.91x2.62 (115)	95-99 1
22	99.3054.00	Vite M8x20 UNI 5923	1
23	92.2218.00	Dado M8x5x13 UNI 5589	1
24	94.8217.00	Molla conica Ø 4.3/7.3x11	94 1
25	97.4782.00	Sfera Ø 7/32"	94 1
26	90.3572.00	OR Ø 5.28x1.78 (2021)	94 1



### DISTINTA – SPARE PARTS

POS	COD.	DESCRIZIONE – DESCRIPTION KIT	NR
1	36.2583.51	Pomolo	1
2	90.3835.00	OR Ø 15.08x2.62 (119)	99 1
3	36.2556.70	Tappo	1
4	90.3847.00	OR Ø 20.24x2.62 (3081)	99 1
5	90.3580.00	OR Ø 8.73x1.78 (108)	99 1
6	36.2574.02	Assieme otturatore	1
7	90.3598.00	OR Ø 20.35x1.78 (2081)	99 1
8	36.2554.66	Sede valvola	99 1
9	90.3596.00	OR Ø 18.77x1.78 (2075)	99 1
10	97.4802.00	Sfera Ø 9/32"	99 1
11	***	Vedere tabella A – See table A	-
12	90.5080.00	Anello antiest. Ø 13.5x18x2	99 2
13	94.7344.00	Molla Ø 7.5x40	99 1
14	36.2552.70	Piattello molla	1
15	90.3582.00	OR Ø 9.25x1.78 (2037)	99-138 2
16	90.3820.00	OR Ø 9.13x2.62 (109)	99 1
17	36.2567.70	Vite di fissaggio valvola G 1/4"	1
18	98.1966.00	Tappo G 1/8"x8	1
19	96.7100.00	Rosetta Ø 10x14x1.5	1
20	36.2568.70	Vite di fissaggio valvola G 3/8"	1
21	90.3827.00	OR Ø 11.91x2.62 (115)	99 1
22	99.3054.00	Vite M8x20 UNI 5923	1
23	92.2218.00	Dado M8x5x13 UNI 5589	1
24	36.3217.51	Pomolo di regolazione	1
25	90.3570.00	OR Ø 4.48x1.78 (2018)	138 3

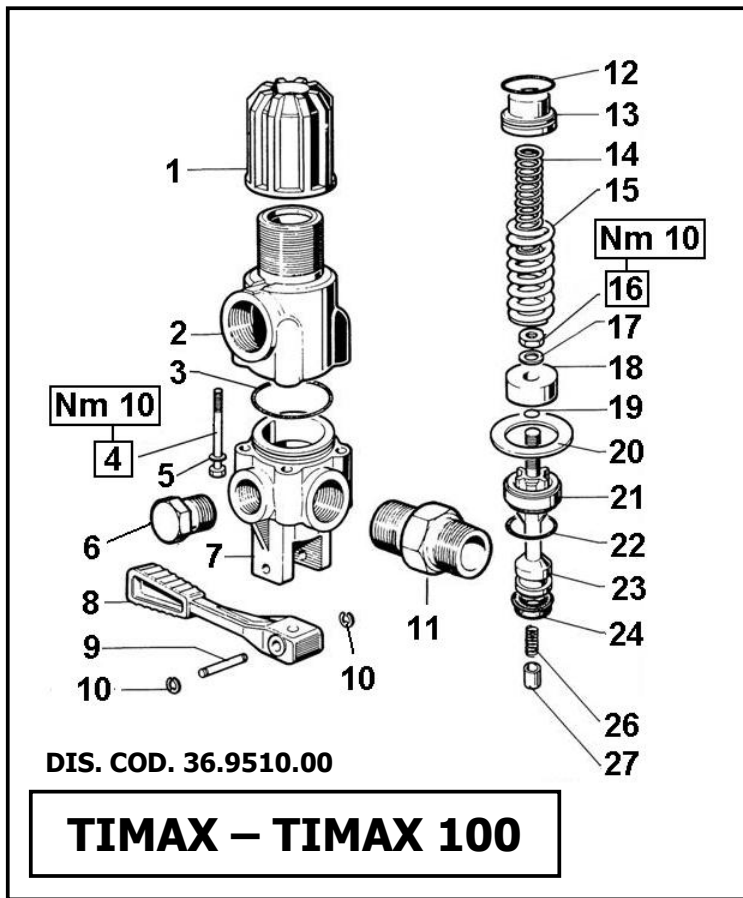
### KIT RICAMBI – SPARE KITS

KIT NR.	KIT 99	KIT 138
<b>Posizioni include</b> <b>Positions included</b>	<b>2 – 4 – 5</b> <b>7 – 8 – 9</b> <b>10 – 12 – 13</b> <b>15 – 16 – 21</b> <b>39 – 42 – 47</b> <b>48 – 53 – 54</b>	<b>15 – 25 – 26</b> <b>27 – 28 -29</b> <b>30 – 31 – 32</b> <b>34</b>
<b>Nr. Pcs.</b>	<b>1</b>	<b>1</b>

MODEL	POS	COD.	DESCRIZIONE - DESCRIPTION	NR
KR 90T	11	36.2572.70	Pistoncino Ø 2.25	1
	45	10.0307.51	Ugello Ø 1.8	1
KR 100T	11	36.2595.70	Pistoncino Ø 2.5	1
	45	10.0151.66	Ugello Ø 2	1

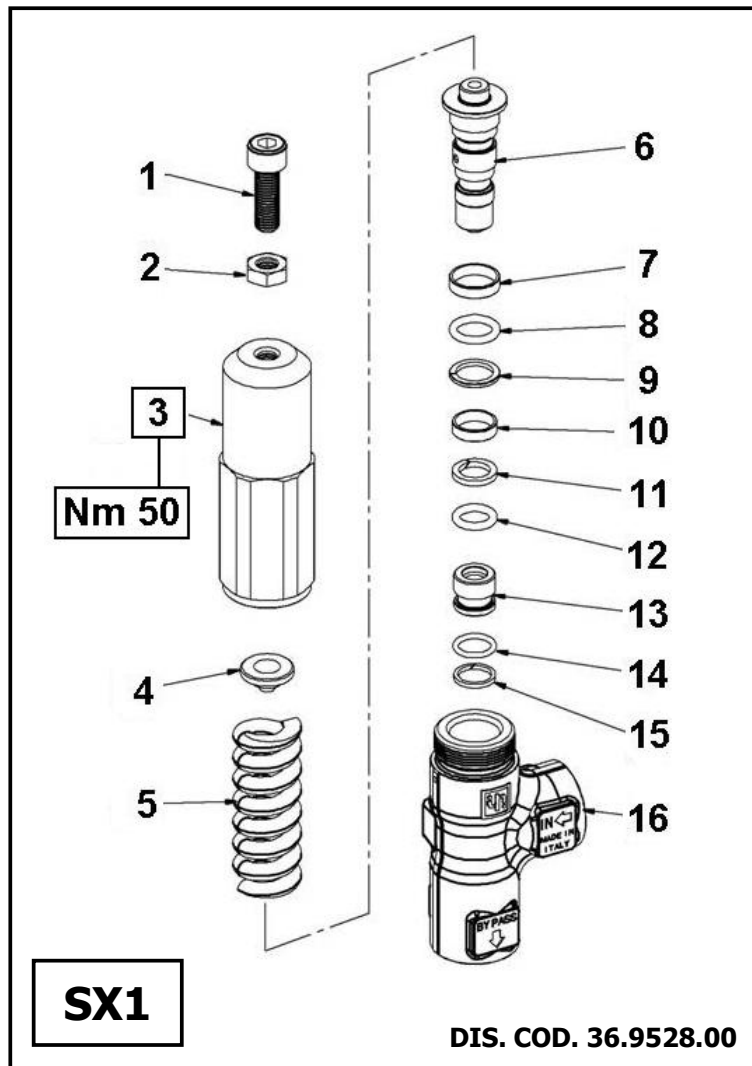
POS	COD.	DESCRIZIONE – DESCRIPTION KIT	NR
26	36.3220.51	Tappo Ø 8	138 1
28	90.3831.00	OR Ø 13.10x2.62 (117)	138 1
29	94.8217.00	Molla conica Ø 4.3/7.3x11	138 2
30	97.4782.00	Sfera Ø 7/32"	138 2
31	90.3572.00	OR Ø 5.28x1.78 (2021)	138 2
32	36.3218.51	Innesto portagomma	138 1
33	36.2563.70	Sede valvola	1
34	90.3585.00	OR Ø 10.82x1.78 (2043)	138 1
35	36.3216.51	Corpo regolatore	1
36	36.2588.41	Corpo valvola	1
37	36.2569.70	Portagomma aspirazione	1
38	10.0119.02	Ghiera	1
39	90.3828.00	OR Ø 12.37x2.62 (3050)	99 1
40	92.8925.00	Filtro Ø 12x35	1
41	36.2560.70	Nipplo aspiraz. M22x1.5	1
42	90.3591.00	OR Ø 14x1.78 (2056)	99 1
43	10.0147.70	Nipplo M22x1.5 con Ø 3	1
44	90.3832.00	OR Ø 13.95x2.62 (3056)	1
45	***	Vedere tabella A – See table A	1
46	90.3822.00	OR Ø 9.92x2.62 (112)	1
47	90.3839.00	OR Ø 15.88x2.62 (121)	99 1
48	90.3833.00	OR Ø 13.95x2.62 (3056)	99 1
49	92.2492.00	Dado M14x17x3	1
50	36.2580.70	Vite di regolazione manometro	1
51	94.7338.00	Molla Ø 7.2x18	1
52	36.2589.70	Pistoncino	1
53	90.5004.00	Anello ant. Ø3.2x6x1.5	99 1
54	90.3567.00	OR Ø 2.9x1.78 (2012)	99 1
55	94.8718.00	Molla Ø 18	1
56	36.2577.51	Coperchio manometro	1
57	36.2578.51	Indicatore manometro	1
58	36.2590.01	Quadrante manometro	1





DIS. COD. 36.9510.00

## TIMAX – TIMAX 100



## SX1

DIS. COD. 36.9528.00

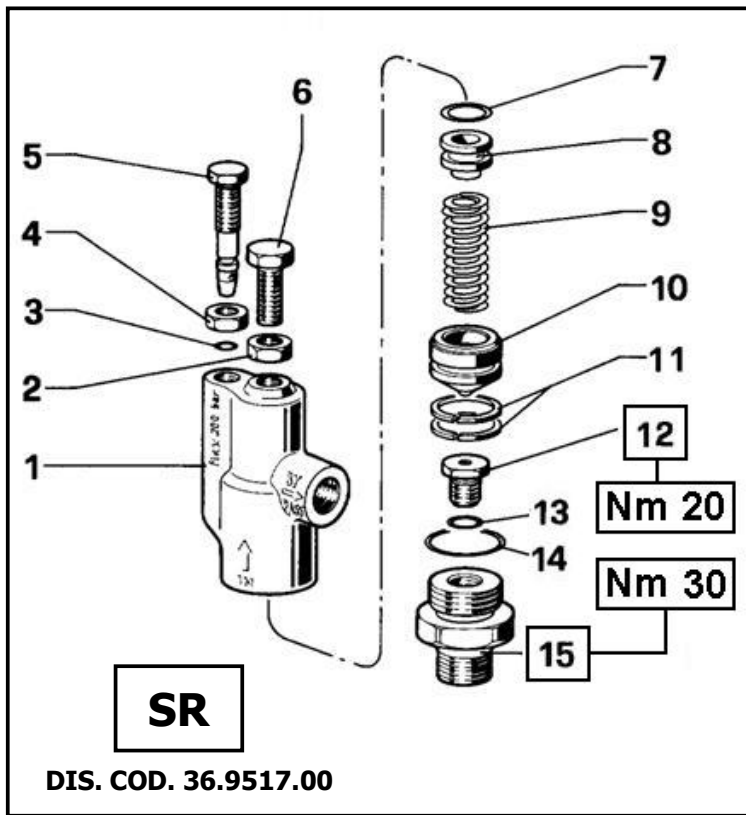
POS	COD.	DESCRIZIONE – DESCRIPTION KIT	NR
1	36.0022.51 36.0087.71	Pomolo di regolazione - TIMAX Pomolo di regolazione - TIMAX 100	1 1
2	36.0019.41	Corpo valvola superiore	1
3	90.3877.00	OR Ø 39.34x2.62 (3156)	51 1
4	99.1970.00	Vite M6x50 UNI 5737	4
5	96.6938.00	Rosetta Ø 6.4x10x0.7	4
6	98.2176.00	Tappo G 1/2"x10	2
7	36.0018.41	Corpo valvola inferiore	1
8	36.0021.22	Leva di comando	1
9	95.7156.00	Perno Ø 6x36	1
10	90.0509.00	Anello seeger Ø 4 UNI 7434	2
11	95.3010.00 95.2706.00	Niplo G 3/4" Niplo G 3/4" - G 3/8"	1 1
12	90.3859.00	OR Ø 25.07x2.62 (3100)	51 1
13	36.0023.70 36.0086.70	Guida molla – TIMAX Guida molla – TIMAX 100	1 1
14	94.7406.00	Molla Ø 12x62.5	1
15	94.7504.00	Molla Ø 20.5x56.5	1
16	92.2220.00	Dado M8x5x13 UNI 5589	1
17	96.7010.00	Rosetta Ø 8.25x12x1	1
18	36.0024.76	Valvola piana	51 1
19	90.3578.00	OR Ø 7.66x1.78 (2031)	51 1
20	96.7750.00	Rosetta Ø 27.5x45x3	1
21	35.0025.66	Sede valvola	51 1
22	90.3863.00	OR Ø 28.25x2.62 (3112)	51 1
23	36.0020.41	Asta porta valvola	1
24	90.2605.00	Anello ten. alt. Ø 13.5x50x6.35	51 1
26	94.7323.00	Molla Ø 5.5x22.5	1
27	36.0029.70	Perno di posizionamento	1

### KIT RICAMBI – SPARE KITS

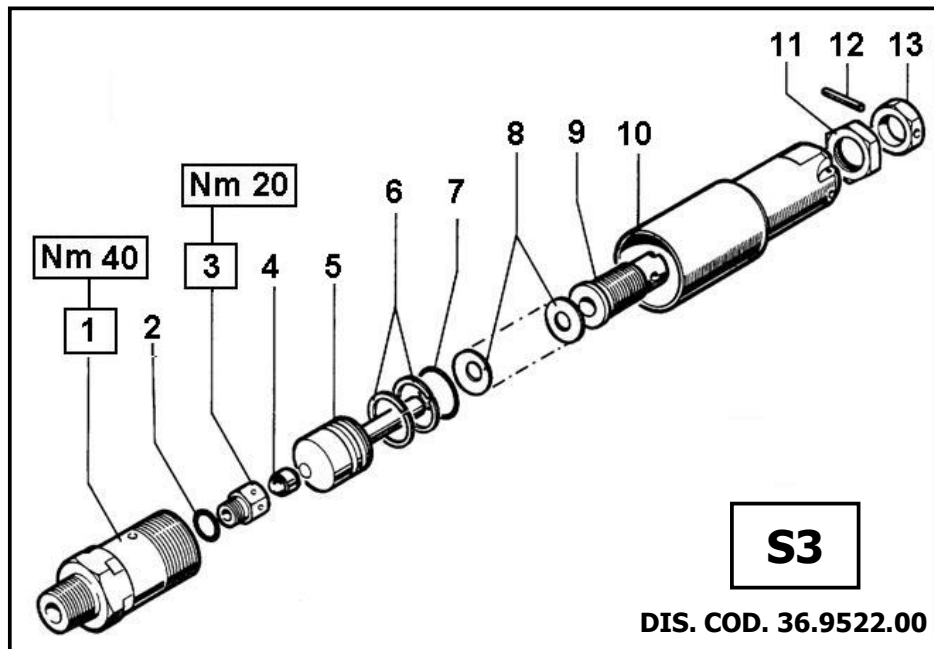
KIT NR.	KIT 51 (TIMAX – TIMAX 100)
<b>Posizioni include</b> <b>Positions included</b>	<b>3 – 12 – 18</b> <b>19 – 21 – 22</b> <b>24</b>
<b>Nr. Pcs.</b>	<b>1</b>

POS	COD.	DESCRIZIONE – DESCRIPTION KIT	NR
1	99.3070.00	Vite M8x25 UNI 5931	1
2	92.2220.00	Dado M8x5x13 UNI 5589	1
3	36.0036.70	Corpo superiore	1
4	36.3169.70	Piattello molla	1
5	94.7466.00	Molla Ø 17x60	1
6	36.0041.02	Assieme pistoncino-sfera	1
7	36.0040.72	Boccola di guida Ø 15x17x4	1
8	90.3827.00	OR Ø 11.91x2.62 (115)	1
9	90.5071.00	Anello antiest. Ø 12.7x17x4	1
10	36.0039.72	Boccola di guida Ø 13x15x4	1
11	90.5065.00	Anello antiest. Ø 10.6x15x2	1
12	90.3823.00	OR Ø 9.92x2.62 (112)	1
13	36.0038.66	Sede valvola	1
14	90.3587.00	OR Ø 11.11x1.78 (114)	1
15	90.5066.00	Anello antiest. Ø 11.4x14x1.5	1
16	36.0035.36	Corpo valvola	1

### DISTINTA – SPARE PARTS



POS	COD.	DESCRIZIONE – DESCRIPTION KIT	NR
1	36.2596.41	Corpo valvola	1
2	92.2218.00	Dado M8x5x13 UNI 5589	1
3	90.3566.00	OR Ø 2.9x1.78 (2021)	1
4	92.2200.00	Dado M8x5x13 UNI 5589	1
5	36.2600.70	Vite di registro	1
6	99.3056.00	Vite M8x20 UNI	1
7	90.3825.00	OR Ø 10.78x2.62 (3043)	1
8	36.2601.70	Piattello molla	1
9	94.7396.00	Molla Ø 11.2x36	1
10	36.2602.02	Assieme pistoncino	1
11	92.7707.00	Fascia elastica Ø 22x19.55x1.5	2
12	36.2598.56	Insero per sede valvola	1
13	90.3578.00	OR Ø 7.66x1.78 (2031)	1
14	90.3600.00	OR Ø 21.95x1.78 (2087)	1
15	36.2597.70	Sede valvola	1



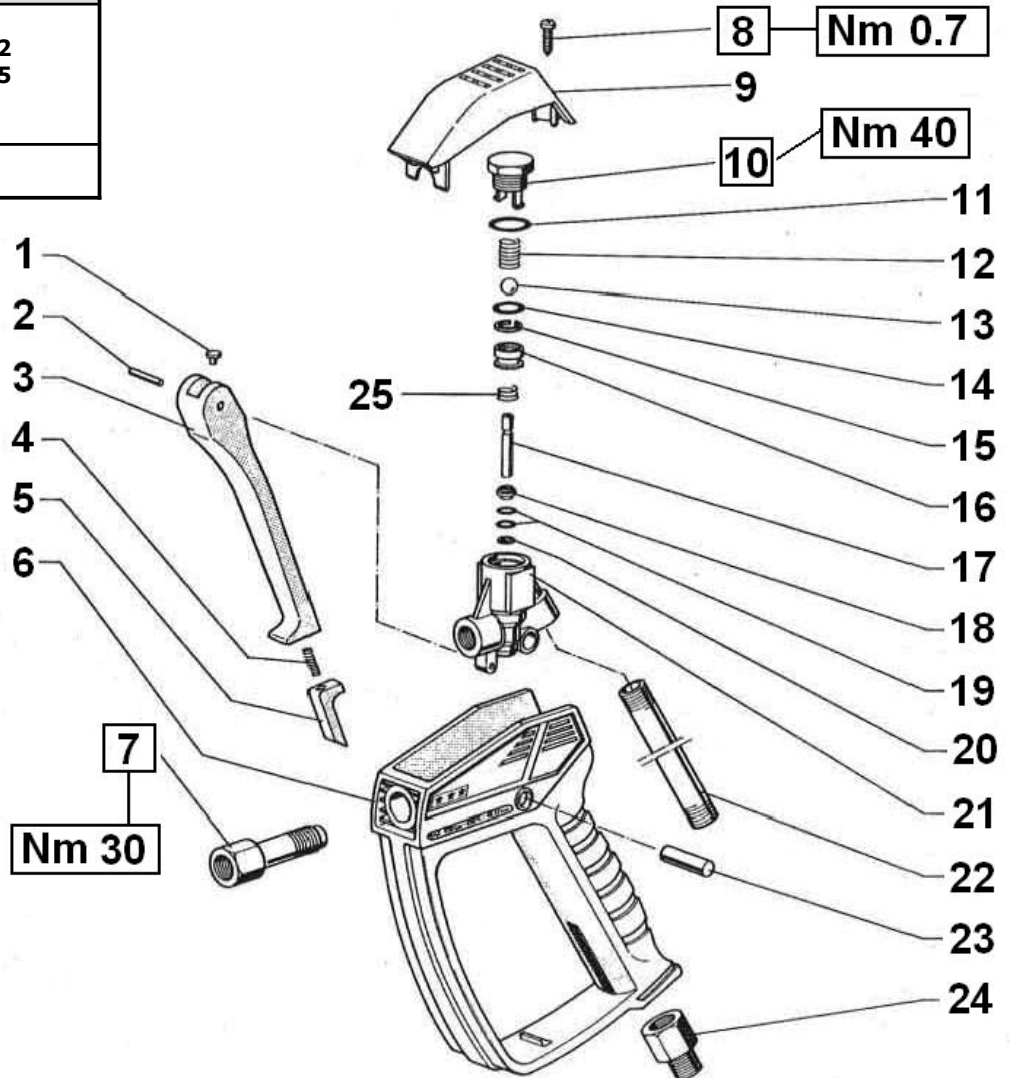
### DISTINTA – SPARE PARTS

POS	COD.	DESCRIZIONE – DESCRIPTION KIT	NR
1	36.2543.66	Sede valvola	1
2	90.3582.00	OR Ø 9.25x1.78 (2037)	1
3	36.2544.56	Insero per sede valvola	1
4	36.2606.02	Assieme testina e sfera	1
5	36.2547.02	Assieme pistoncino	1
6	92.7722.00	Fascia elastica Ø 27x24.55x1.5	2
7	90.3602.00	OR Ø 23.52x1.78 (2093)	1
8	94.8495.00	Molla a tazza Ø 22x10.2x1.25	19
9	36.2548.70	Vite di regolazione	1
10	36.2542.70	Corpo valvola di sicurezza	1
11	92.2638.00	Dado M18x27x6	1
12	97.6730.00	Spina Ø 4x22 UNI 6873	1
13	36.2549.70	Dado	1

**PISTOLE AUTOMATICHE – AUTOMATIC GUNS  
PISTOLETS AUTOMATIQUES - AUTOMATISCHE PISTOLEN  
PISTOLAS AUTOMÁTICAS – AUTOMÁTICO PISTOLAS**

**KIT RICAMBI – SPARE KITS**

KIT NR.	KIT 116
Posizioni include Positions included	10 – 11 – 12 13 – 14 – 15 16
Nr. Pcs.	1



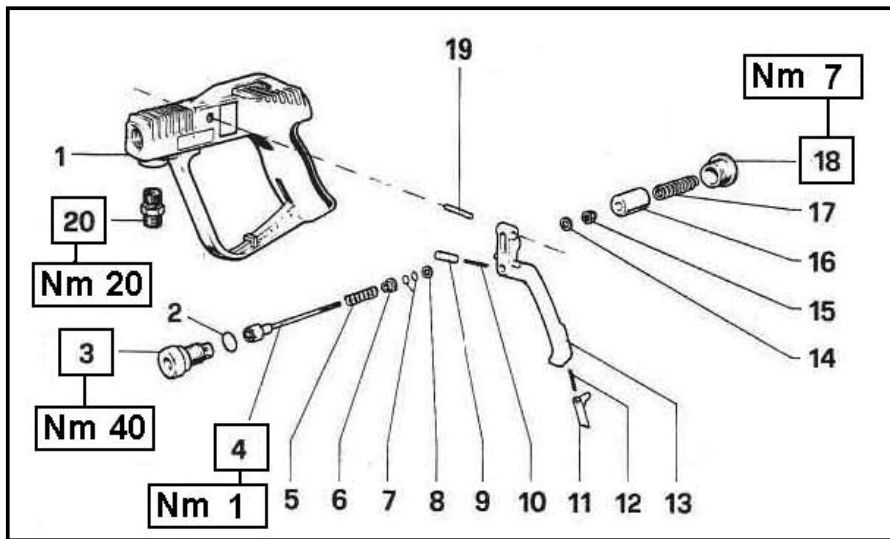
**P3-P3X**

**DIS. COD. 18.9511.00**

**DISTINTA – SPARE PARTS**

POS	COD.	DESCRIZIONE – DESCRIPTION KIT	NR
1	18.2082.64	Piattello di spinta	1
2	97.6143.00	Spina Ø 4x20	1
3	18.2079.51	Leva	1
4	94.7303.00	Molla Ø 2.8x21	1
5	18.2050.51	Nottolino per sicura	1
6	18.2080.51	Corpo pistola	1
7	18.2078.64	Nipplo G 1/4" F – P3	1
8	99.0845.00	Vite Ø 3.5x16 UNI 7049	1
9	18.2081.51	Coperchio	1
10	18.2075.70	Tappo M18x1	116 1
11	90.3593.00	OR Ø 15.6x1.78 (2062)	116 1
12	94.7342.00	Molla Ø 7.5x19.7	116 1
13	97.4810.00	Sfera Ø 5/16"	116 1

POS	COD.	DESCRIZIONE – DESCRIPTION KIT	NR
14	90.3585.00	OR Ø 10.82x1.78 (2043)	116 1
15	90.5068.00	Anello antiest. Ø 11.9x14.5x1.5	116 1
16	18.2074.66	Sede valvola	116 1
17	18.2076.66	Asta di comando	1
18	18.2077.70	Guida asta	1
19	90.3568.00	OR Ø 3.69x1.78 (2015)	2
20	90.5007.00	Anello antiest. Ø 4x6.8x1.5	1
21	18.2073.41	Corpo otturatore	1
22	18.2083.89	Tubo G 1/4"x158	1
23	97.6200.00	Spina Ø 8.5x34	1
24	95.2626.00 95.2665.00 ZINA 1/4" F	Nipplo G 3/8"xG 1/4" Nipplo G 1/2"xG 1/4" Nipplo 1/4" FxM22x1.5 – P3X	1 1 1
25	94.7351.00	Molla Ø 8.2x28	1



**KIT RICAMBI – SPARE KITS**

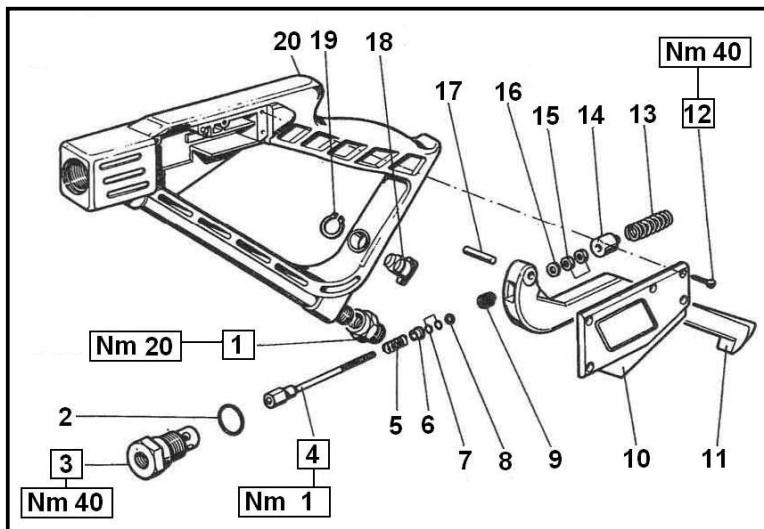
KIT NR.	KIT 52 (P11)	KIT 105 (P10)
<b>Posizioni incluse Positions included</b>	2 – 3 4 – 7 8	2 – 3 4 – 7 8
<b>Nr. Pcs.</b>	1	1

**P10-P11**

**DIS. COD. 18.9507.00**

POS	COD.	DESCRIZIONE – DESCRIPTION KIT	NR
1	18.2056.02	Corpo pistola	1
2	90.3841.00	OR Ø 17.13x2.62 (3068)	52-105 1
3	18.2059.02	Sede valvola	52-105 1
4	18.2071.02 18.2044.02	Asta portavalvola - P10 Asta portavalvola - P11	105 1 52 1
5	94.7378.00	Molla Ø 9.5x20	1
6	18.2042.70	Guida molla	1
7	90.3568.00	OR Ø 3.69x1.78 (2015)	52-105 2
8	90.5007.00	Anello antiest. Ø 4x6.8x1.5	52-105 1
9	18.2053.70	Perno	1
10	94.7305.00	Molla Ø 3.6x28	1

POS	COD.	DESCRIZIONE – DESCRIPTION KIT	NR
11	18.2050.51	Nottolino per sicura	1
12	94.7303.00	Molla Ø 2.8x21	1
13	18.2048.51	Leva di comando	1
14	96.6840.00	Rosetta Ø 4.25x13x2.5	1
15	92.1935.00	Dado M4x7x6 UNI 7473	1
16	18.2052.70	Guida molla	1
17	94.7414.00	Molla 13x44.5	1
18	98.2192.00 98.2190.00	Tappo M22x1.5x15 – P10 Tappo M22x1.5x15 – P11	1 1
19	97.6155.00	Spina Ø 5x30	1
20	95.2840.00	Nipplo G 1/4"x28	1



**KIT RICAMBI – SPARE KITS**

KIT NR.	KIT 52
<b>Posizioni incluse Positions included</b>	2 – 3 4 – 7 8
<b>Nr. Pcs.</b>	1

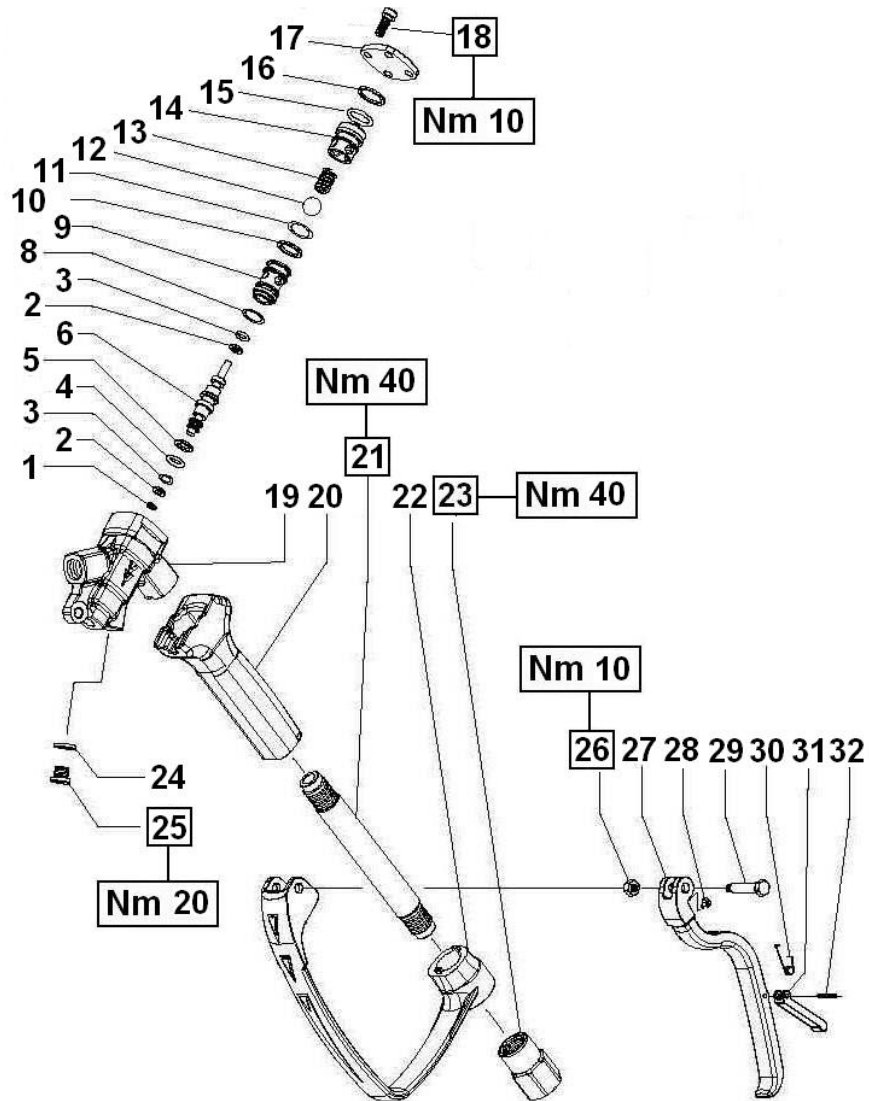
**PIMATIC**

**DIS. COD. 18.9506.00**

POS	COD.	DESCRIZIONE – DESCRIPTION KIT	NR
1	95.2626.00 95.2665.00	Nipplo G 3/8"xG 1/4" Nipplo G 1/2"xG 1/4"	1 1
2	90.3841.00	OR Ø 17.13x2.62 (3068)	52 1
3	18.2059.02	Sede valvola	52 1
4	18.2044.02	Asta portavalvola	52 1
5	94.7378.00	Molla Ø 9.5x20	1
6	18.2042.70	Guida molla	1
7	90.3568.00	OR Ø 3.69x1.78 (2015)	52 2
8	90.5007.00	Anello antiest. Ø 4x6.8x1.5	52 1
9	94.7383.00	Molla Ø 9.75x10	1
10	18.2031.51	Coperchio per pistola	1

POS	COD.	DESCRIZIONE – DESCRIPTION KIT	NR
11	18.2032.51	Leva di comando	1
12	99.0656.00	Vite Ø 2.9x16	5
13	94.7380.00	Molla Ø 9.5x30	1
14	18.2038.70	Perno	1
15	92.1926.00	Dado M4x7x3.2	2
16	96.6860.00	Rosetta Ø 4.5x11x2	1
17	97.6153.00	Spina cilindrica Ø 5x25	1
18	18.2036.51	Nottolino per sicura	1
19	90.0569.00	Anello seeger Ø 14	1
20	18.2030.02	Corpo pistola	1

**PISTOLA PROFESSIONALE IN ACCIAIO – STAINLESS STEEL PROFESSIONAL GUN**  
**PISTOLET PROFESSIONNEL EN ACIER INOX – PROFESSIONELLE EDELSTAHLPISTOLE**  
**PISTOLA PROFESIONAL EN ACERO INOX – PISTOLA EM EMPRESAS DE AÇO INOX**



**P560**

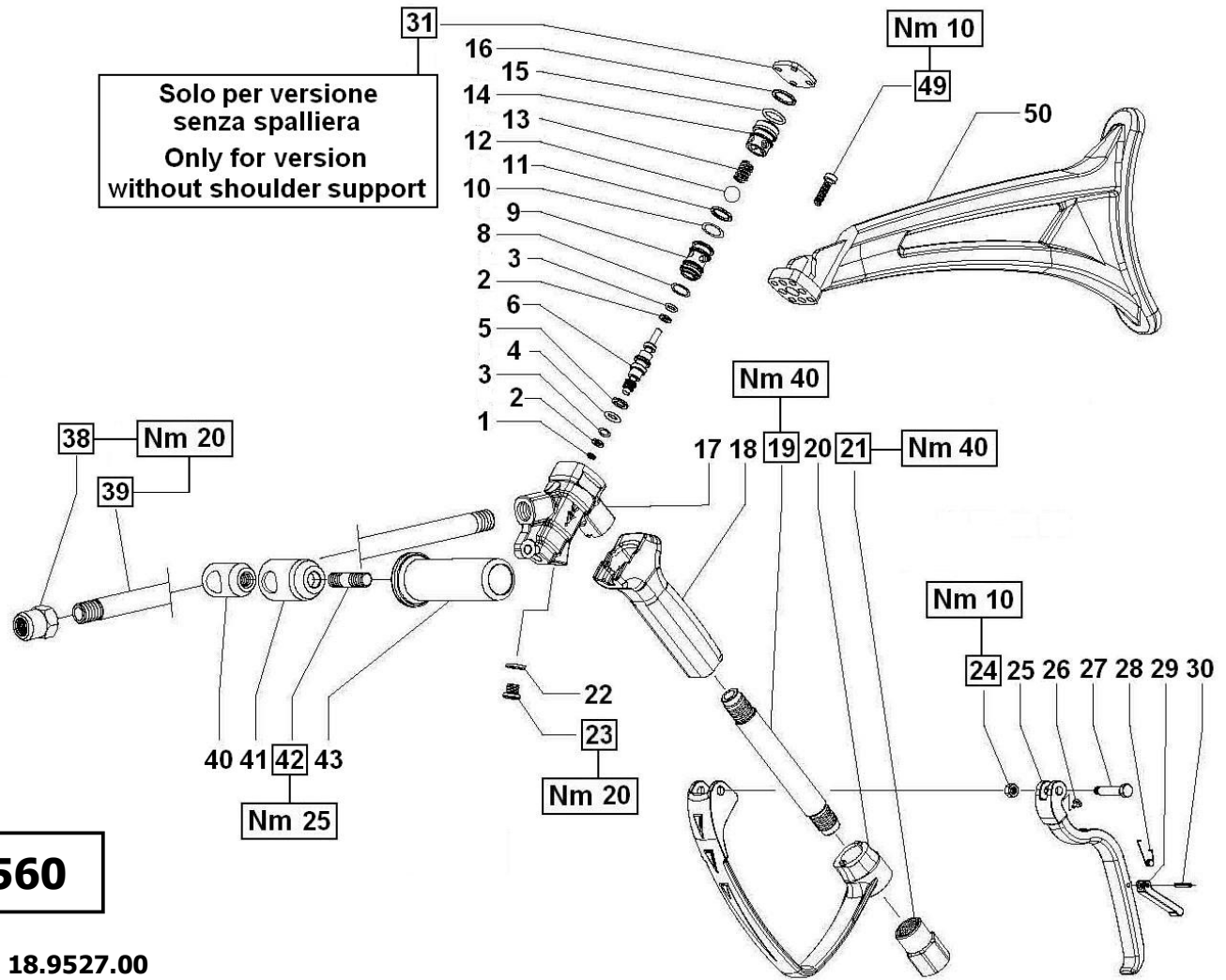
**DIS. COD. 18.9526.00**

**DISTINTA – SPARE PARTS**

POS	COD.	DESCRIZIONE – DESCRIPTION KIT	NR
1	90.3114.00	Anello Ø 6.65x1.78	1
2	90.5018.00	Anello antiest. Ø 5.7x10.1x1.5	2
3	90.3813.00	OR Ø 5.23x2.62 (3021)	2
4	90.3821.00	OR Ø 9.19x2.62 (3037)	1
5	90.5051.00	Anello antiest. Ø 9.5x13.9x1.5	1
6	18.2116.66	Spillo di comando	1
8	90.3676.00	OR Ø 13x2	1
9	18.2133.66	Sede sfera	1
10	90.5084.00	Anello antiest. Ø 14.7x18.9x1.5	1
11	90.3833.00	OR Ø 13.92x2.62 (3056)	1
12	97.4850.00	Sfera Ø 1/2"	1
13	94.7377.00	Molla Ø 9.5x17.7	1
14	18.2132.66	Tappo	1
15	90.3837.00	OR Ø 15.54x2.62 (3062)	1
16	90.5095.00	Anello antiest. Ø 17x20.9x1.5	1

POS	COD.	DESCRIZIONE – DESCRIPTION KIT	NR
17	18.2113.36	Piastrina di chiusura	1
18	99.1852.00	Vite M6x16 UNI 5931	4
19	18.2112.36	Corpo	1
20	18.2119.02	Impugnatura completa	1
21	18.2118.91	Tubo	1
22	18.2123.22	Protezione	1
23	18.2114.66	Raccordo di entrata G 1/2"	1
24	93.1780.00	Rondella con tenuta G 1/8"	1
25	98.1970.00	Tappo G 1/8"x8	1
26	92.2024.00	Dado M6 UNI 5588	1
27	18.2121.22	Leva di comando	1
28	18.2082.64	Piattello di spinta	1
29	18.2124.64	Perno	1
30	94.8705.00	Molla di torsione	1
31	18.2122.22	Leva di sicurezza	1
32	97.6664.00	Spina elastica Ø 3x18	1

**PISTOLA PROFESSIONALE IN ACCIAIO – STAINLESS STEEL PROFESSIONAL GUN**  
**PISTOLET PROFESSIONNEL EN ACIER INOX – PROFESSIONELLE EDELSTAHLPISTOLE**  
**PISTOLA PROFESIONAL EN ACERO INOX – PISTOLA EM EMPRESAS DE AÇO INOX**



**DIS. COD. 18.9527.00**

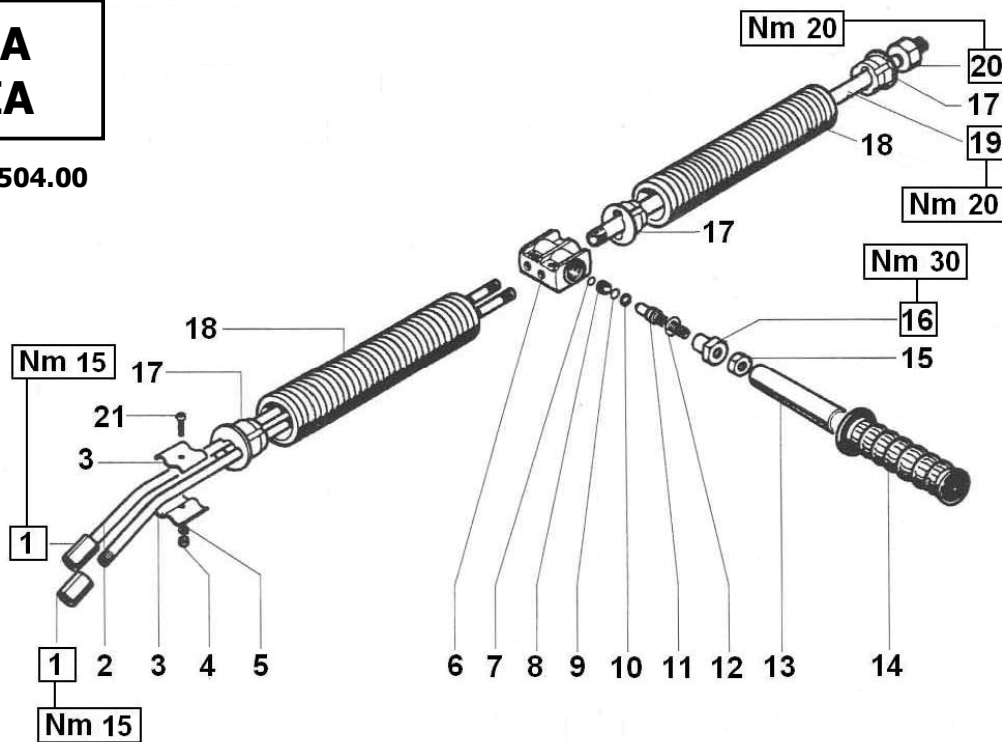
**DISTINTA – SPARE PARTS**

POS	COD.	DESCRIZIONE – DESCRIPTION KIT	NR
1	90.3114.00	Anello Ø 6.65x1.78	1
2	90.5018.00	Anello antiest. Ø 5.7x10.1x1.5	2
3	90.3813.00	OR Ø 5.23x2.62 (3021)	2
4	90.3821.00	OR Ø 9.19x2.62 (3037)	1
5	90.5051.00	Anello antiest. Ø 9.5x13.9x1.5	1
6	18.2116.66	Spillo di comando	1
8	90.3676.00	OR Ø 13x2	1
9	18.2133.66	Sede sfera	1
10	90.5084.00	Anello antiest. Ø 14.7x18.9x1.5	1
11	90.3833.00	OR Ø 13.92x2.62 (3056)	1
12	97.4850.00	Sfera Ø 1/2"	1
13	94.7377.00	Molla Ø 9.5x17.7	1
14	18.2132.66	Tappo	1
15	90.3837.00	OR Ø 15.54x2.62 (3062)	1
16	90.5095.00	Anello antiest. Ø 17x20.9x1.5	1
17	18.2112.36	Corpo	1
18	18.2119.02	Impugnatura completa	1
19	18.2118.91	Tubo	1
20	18.2123.22	Protezione	1

POS	COD.	DESCRIZIONE – DESCRIPTION KIT	NR
21	18.2114.66	Raccordo di entrata G 1/2"	1
22	93.1780.00	Rondella con tenuta G 1/8"	1
23	98.1970.00	Tappo G 1/8"x8	1
24	92.2024.00	Dado M6 UNI 5588	1
25	18.2121.22	Leva di comando	1
26	18.2082.64	Piattello di spinta	1
27	18.2124.64	Perno	1
28	94.8705.00	Molla di torsione	1
29	18.2122.22	Leva di sicurezza	1
30	97.6664.00	Spina elastica Ø 3x18	1
31	18.2113.36	Piastrina di chiusura	1
38	10.0639.66	Nipplo G 1/4"	1
	10.0640.66	Nipplo G 1/4" NPT	1
39	10.0650.91	Tubo G 3/8" L.750	1
	10.0642.91	Tubo G 3/8" L.1000	1
40	10.0638.71	Bussola bloccaggio impugnatura	1
41	10.0637.71	Sostegno impugnatura	1
42	95.8300.00	Prigioniero M12x25 UNI 5931	1
43	10.0636.71	Impugnatura mobile	1
49	99.1852.00	Vite M6x16 UNI 5931	4
50	18.2127.02	Spalliera	1

# LANCIA DOPPIA

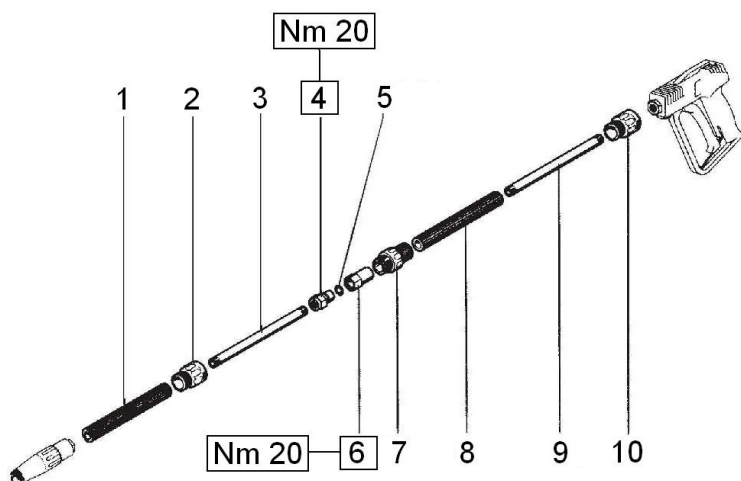
DIS. COD. 18.9504.00



POS	COD.	DESCRIZIONE - DESCRIPTION KIT	NR
1	94.4812.00	Manicotto G 1/8"x30	2
	94.5130.00	Manicotto G 1/4"x G 1/8"	2
2	18.0072.89	Tubo G 1/8"	2
3	18.0081.34	Piastrina	4
4	92.1975.00	Dado M5x8x4 UNI 5588	2
5	96.6880.00	Rosetta Ø 5x11x1	2
6	10.0071.41	Corpo	1
7	90.3575.00	OR Ø 6.75x1,78 (106)	1
8	10.0085.66	Sede valvola	1
9	90.3577.00	OR Ø 7.66x1.78 (2031)	1
10	90.5033.00	Anello antiest. Ø 8x11x1.5	1

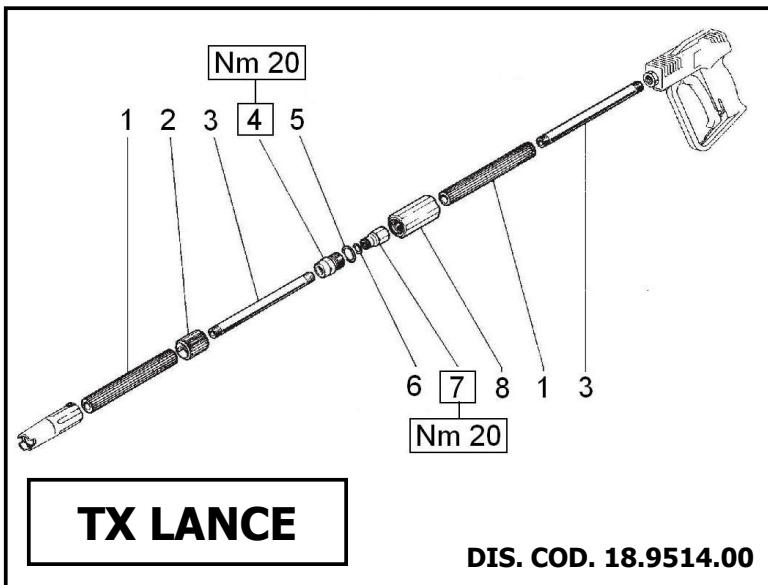
POS	COD.	DESCRIZIONE - DESCRIPTION KIT	NR
11	10.0073.66	Otturatore	1
12	90.3835.00	OR Ø 15.08x2.62 (119)	1
13	10.0079.61	Impugnatura	1
14	94.5570.00	Manopola	1
15	92.2375.00	Dado M10x8x17 UNI 5588	1
16	10.0072.70	Nipplo	1
17	18.0082.51	Distanziale	4
18	18.0079.51	Soffietto	2
19	18.2033.89	Tubo G 1/4"	1
20	94.4832.00	Manicotto G 1/4"x25	1
21	99.1567.00	Vite M5x16 UNI 5931	2

# QUICK LANCE



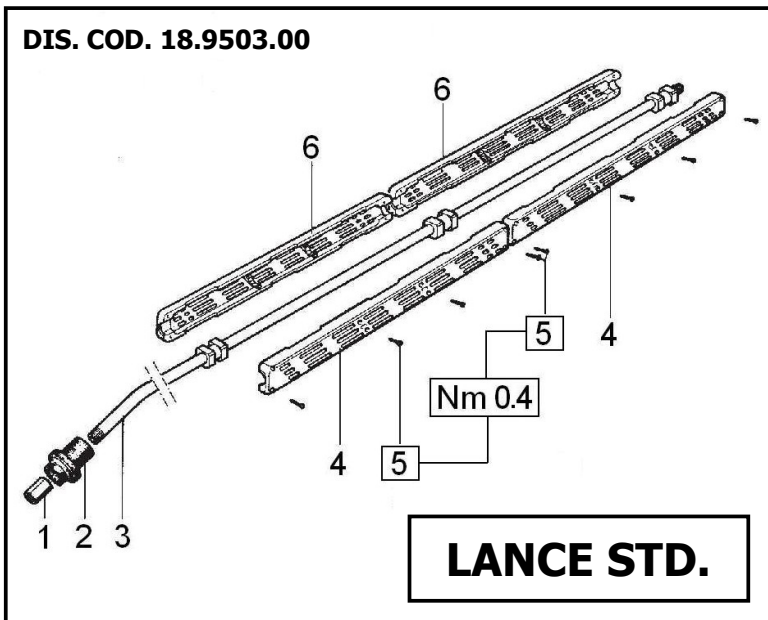
DIS. COD. 18.9500.00

POS	COD.	DESCRIZIONE - DESCRIPTION KIT	NR
1	18.0106.98	Protezione tubo - Quick 2	1
	18.0108.98	Protezione tubo - Quick 5	1
	18.0109.98	Protezione tubo - Quick 7	1
2	10.0295.51	Ghiera di fermo	1
3	18.2033.89	Tubo G 1/4" - Quick 2	1
	18.0110.89	Tubo G 1/4" - Quick 5	1
	18.0111.89	Tubo G 1/4" - Quick 7	1
4	10.0297.70	Innesto maschio	1
5	90.3820.00	OR Ø 9.13x2.62 (109)	1
6	10.0298.70	Innesto femmina	1
7	10.0296.51	Manicotto per innesto	1
8	18.0104.98	Impugnatura	1
9	18.2033.89	Tubo G 1/4"	1
10	10.0294.51	Manicotto di protezione	1



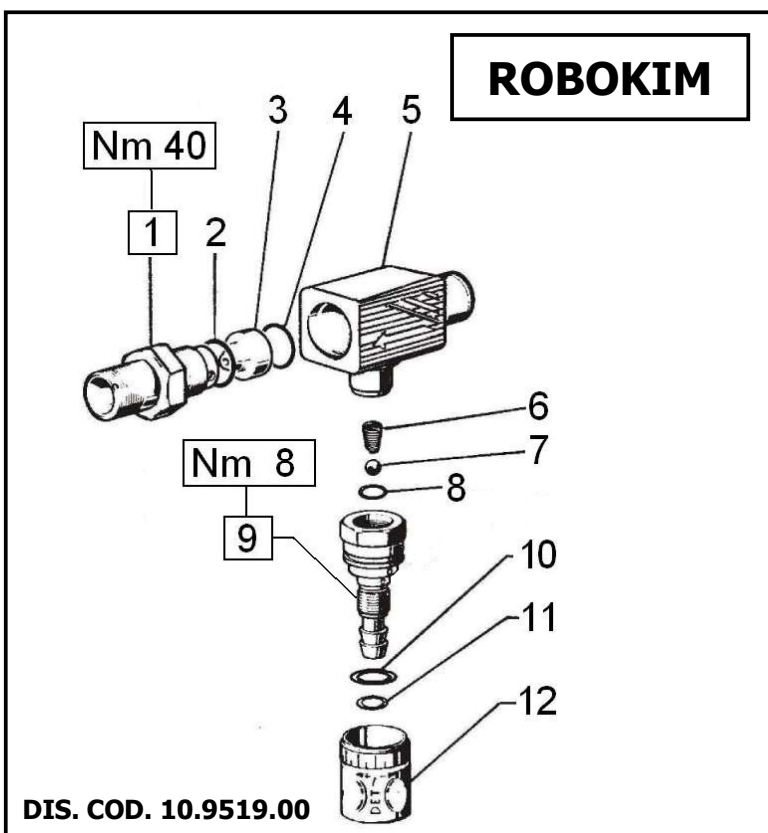
**DISTINTA – SPARE PARTS**

POS	COD.	DESCRIZIONE – DESCRIPTION KIT	NR
1	18.0126.98	Impugnatura	2
2	10.0542.51	Protezione	1
3	18.0127.89	Tubo G 1/4"	2
4	10.0120.70	Innesto femmina	1
5	90.3845.00	OR Ø 18.72x2.62 (3075)	1
6	90.3820.00	OR Ø 9.13x2.62 (109)	1
7	10.0534.70	Innesto maschio	1
8	10.0532.02	Manopola	1



**DISTINTA – SPARE PARTS**

POS	COD.	DESCRIZIONE – DESCRIPTION KIT	NR
1	94.4834.00	Manicotto G 1/4"x30	1
	94.5130.00	Manicotto G 1/4"x G 1/8"	1
2	18.0027.51	Protezione ugello	1
3	18.0066.02	Tubo lancia – Z7	1
	18.0067.02	Tubo lancia – Z9	1
	18.0068.02	Tubo lancia – Z12	1
	18.0069.02	Tubo lancia – Z15	1
	18.0070.02	Tubo lancia – Z17	1
	18.0071.02	Tubo lancia – Z20	1
4	18.0064.51	Semiguscio destro	1÷2
5	99.0654.00	Vite	8÷16
6	18.0065.51	Semiguscio sinistro	1÷2



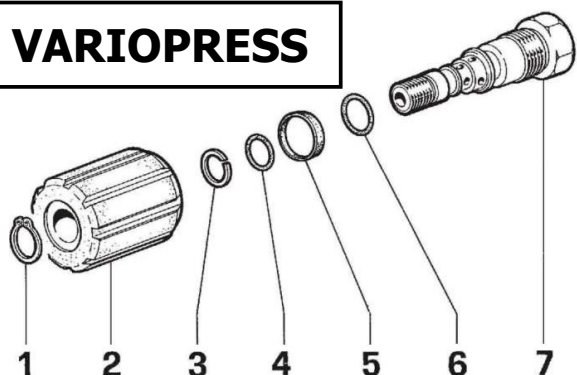
MODEL	POS	COD.	DESCRIZIONE - DESCRIPTION	NR
0	3	10.0151.66	Ugello Ø 2 (8÷11 l/min.)	1
1	3	10.0076.66	Ugello Ø 2.2 (12÷15 l/min.)	1
2	3	10.0077.66	Ugello Ø 2.5 (16÷21 l/min.)	1
3	3	10.0162.66	Ugello Ø 2.75 (25÷41 l/min.)	1

**DISTINTA – SPARE PARTS**

POS	COD.	DESCRIZIONE – DESCRIPTION KIT	NR
1	10.0078.70	Nipplo G 3/8" con foro Ø 3	1
	10.0160.70	Nipplo G 3/8" con foro Ø 3.25	1
2	90.3832.00	OR Ø 13.95x2.62 (3056)	1
3	***	Vedere tabella – See tabella	-
4	90.3822.00	OR Ø 9.92x2.62 (112)	1
5	10.0389.41	Corpo iniettore	1
6	94.8217.00	Molla conica Ø 4.3/7.3x11	1
7	97.4782.00	Sfera Ø 7/32"	1
8	90.3572.00	OR Ø 5.28x1.78 (2021)	1
9	10.0388.70	Sede valvola iniettore e otturatore	1
10	90.3593.00	OR Ø 15.6x1.78 (2062)	1
11	90.3580.00	OR Ø 8.73x1.78 (108)	1
12	10.0387.51	Pomolo di regolazione	1



## VARIOPRESS

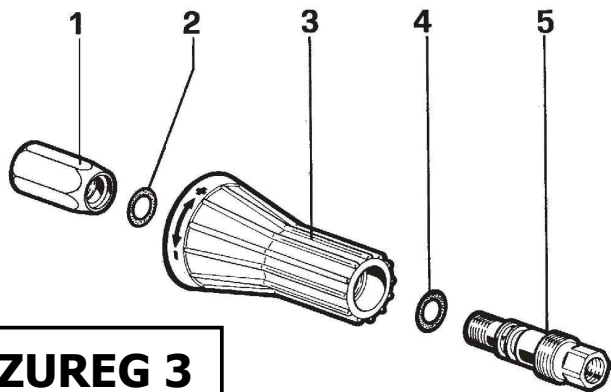


DIS. COD. 10.9527.00

### DISTINTA – SPARE PARTS

POS	COD.	DESCRIZIONE – DESCRIPTION KIT	NR
1	90.0562.00	Anello seeger Ø 13 UNI 7435	1
2	10.0490.02	Pomolo di regolazione pressione	1
3	90.5067.00	Anello antiest. Ø 11x14x1.5	1
4	90.3585.00	OR Ø 10.82x1.78 (2043)	1
5	90.2680.00	Anello ten. alt. Ø 18	1
6	90.3827.00	OR Ø 11.91x2.62 (115)	1
7	10.0489.70	Niplo distributore reg. pressione	1

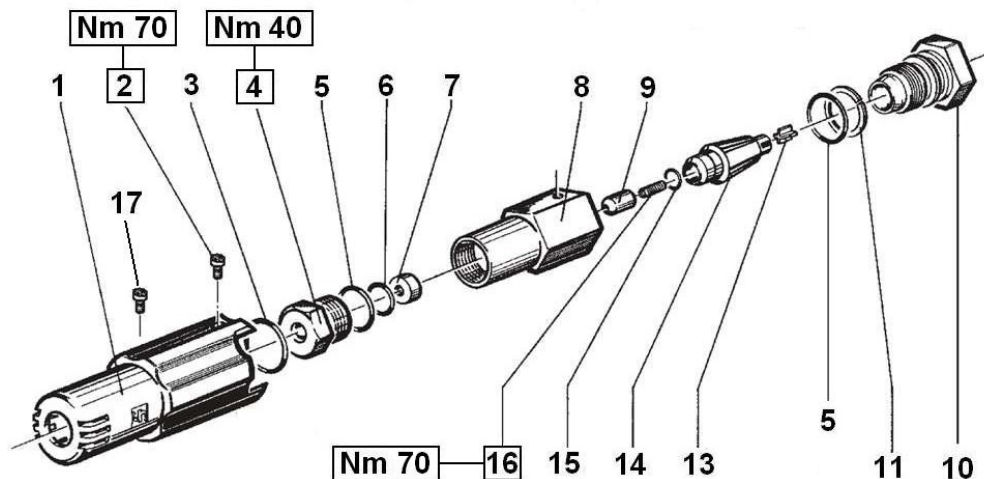
DIS. COD. 10.9536.00



## ZUREG 3

### DISTINTA – SPARE PARTS

POS	COD.	DESCRIZIONE – DESCRIPTION KIT	NR
1	10.0550.70	Testina G 1/4"	1
2	90.3827.00	OR Ø 11.91x2.62 (115)	1
3	10.0551.02	Manopola	1
4	90.3825.00	OR Ø 10.78x2.62 (3043)	1
5	10.0552.70	Niplo	1



## ROTOMAX

DIS. COD. 10.9544.00

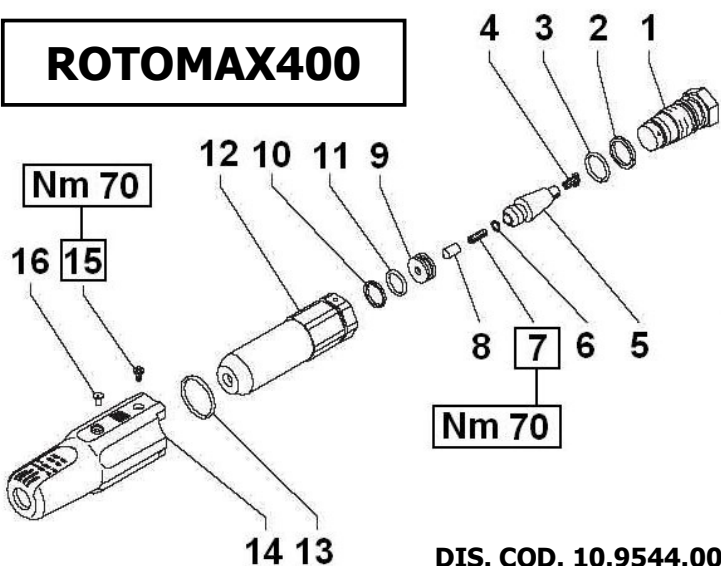
### DISTINTA – SPARE PARTS

POS	COD.	DESCRIZIONE – DESCRIPTION KIT	NR
1	10.0449.51	Manopola	1
2	99.0702.00	Vite M3x4 UNI 7687	1
3	90.3847.00	OR Ø 20.42x2.62 (3081)	1
4	10.0450.70	Tappo M18x1	1
5	90.3835.00	OR Ø 15.08x2.62 (119)	2
6	90.3585.00	OR Ø 10.82x1.78 (2043)	1
7	10.0455.09	Sede	1
8	10.0451.70	Corpo	1
9	10.0456.09	Testina	1
10	***	Vedere tabella – See table	-
11	90.5090.00	Anello antiest. Ø 15.8x20x1.3	1
13	10.0453.51	Guida flusso	1

POS	COD.	DESCRIZIONE – DESCRIPTION KIT	NR
14	10.0564.02	Assieme rotore	1
15	90.3574.00	OR Ø 6.07x1.78 (2025)	1
16	***	Vedere tabella – See table	-
17	***	Vedere tabella – See table	-

MODEL	POS	COD.	DESCRIZIONE - DESCRIPTION	NR
1	10	10.0472.70	Niplo convogliatore Ø 1.4	1
	16	98.6674.00	Ugello 140 - Rosso	1
	17	98.1905.00	Tappo Ø 3 - Rosso	1
2	10	10.0454.70	Niplo convogliatore Ø 1.6	1
	16	98.6725.00	Ugello 150 - Azzurro	1
	17	98.1907.00	Tappo Ø 3 - Azzurro	1
3	10	10.0471.70	Niplo convogliatore Ø 2	1
	16	98.6780.00	Ugello 160 - Nero	1
	17	98.1909.00	Tappo Ø 3 - Nero	1

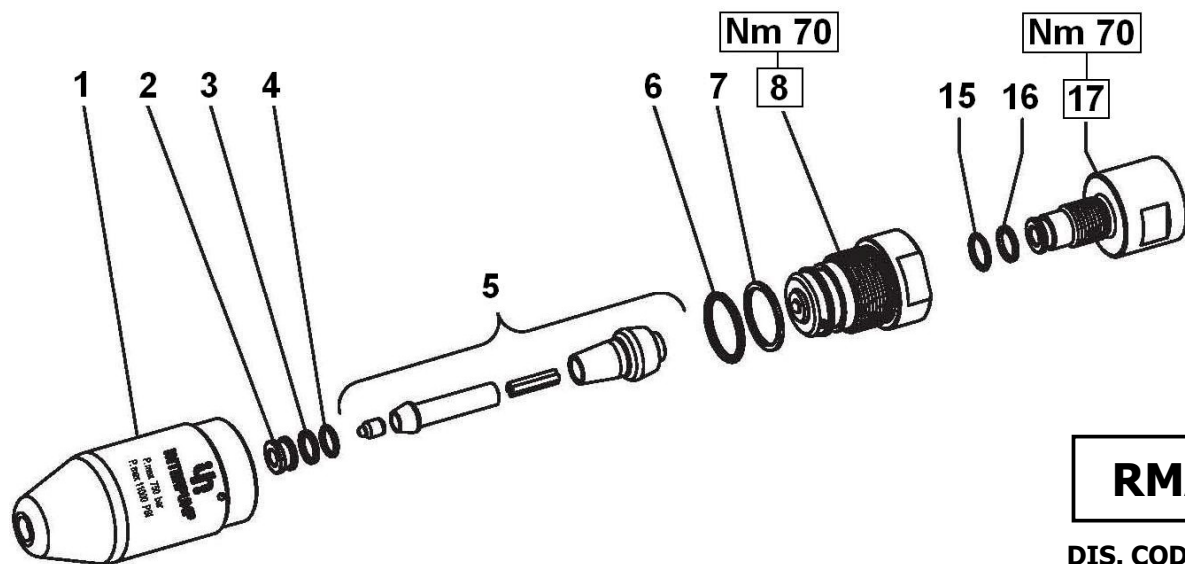
# ROTOMAX400



## DISTINTA – SPARE PARTS

POS	COD.	DESCRIZIONE – DESCRIPTION KIT	NR
1	***	Vedere tabella – See table	-
2	90.5085.00	Anello antiest. Ø 15.3x17.9x1.5	1
3	90.3591.00	OR Ø 14x1.78 (2056)	1
4	10.0453.51	Guida flusso	1
5	10.0564.02	Assieme rotore	1
6	90.3574.00	OR Ø 6.07x1.78 (2025)	1
7	***	Vedere tabella – See table	-
8	10.0456.09	Testina	1
9	10.0606.02	Assieme sede completa	1
10	90.5075.00	Anello antiest. Ø 13x16x1.5	1
11	90.3589.00	OR Ø 12.42x1.78 (2050)	1
12	10.0604.70	Corpo	1
13	90.3602.00	OR 6 23.52x1.78 (2093)	1
14	10.0602.51	Manopola	1
15	99.0702.00	Vite M3x4 UNI 7687	1
16	***	Vedere tabella – See table	-

MODEL	POS	COD.	DESCRIZIONE - DESCRIPTION	NR
401	1	10.0605.70	Nipplo convogliatore Ø 1.4	1
	7	98.6674.00	Ugello 140 - Rosso	1
	16	98.1905.00	Tappo Ø 3 - Rosso	1
403	1	10.0609.70	Nipplo convogliatore Ø 2.1	1
	7	98.6780.00	Ugello 160 - Nero	1
	16	98.1909.00	Tappo Ø 3 - Nero	1



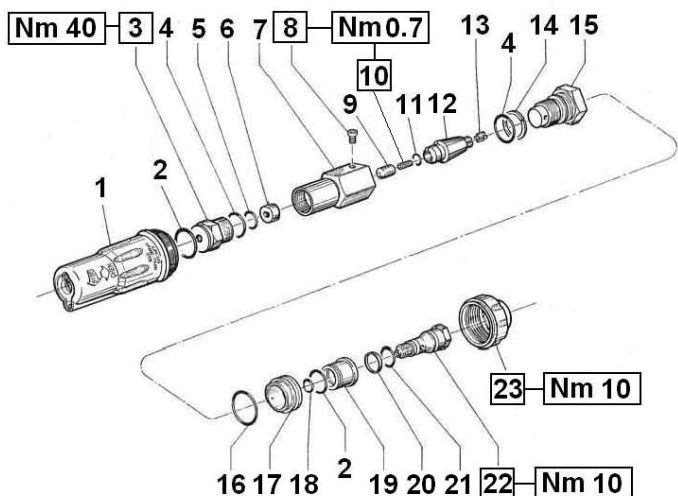
# RMAX750

DIS. COD. 10.9547.00

## DISTINTA – SPARE PARTS

POS	COD.	DESCRIZIONE – DESCRIPTION KIT	NR
1	10.0623.66	Corpo ugello rotante	1
2	10.0630.11	Sede	1
3	90.5061.00	Anello antiest. Ø 10.4x13x1.5	1
4	90.3582.00	OR Ø 9.25x1.78 (2037)	1
5	***	Vedere tabella – See table	1
6	90.3855.00	OR Ø 23.47x2.62 (3093)	1
7	90.5155.00	Anello antiest. Ø 23.9x28x2	1
8	***	Vedere tabella – See table	1
15	90.3587.00	OR Ø 11.11x1.78 (114)	1
16	90.5066.00	Anello antiest. Ø 11.4x14x1.5	1
17	10.0646.66	Nipplo M-F G 3/8" - G 3/8"	1
	10.0625.66	Nipplo M-F G 3/8" - G 1/2"	1
	10.0647.66	Nipplo M-F G 3/8" - Rc 3/8"	1
	10.0700.66	Nipplo M-F G 3/8" - M18x1.5	1

MODEL	POS	COD.	DESCRIZIONE - DESCRIPTION	NR
N	5	10.7395.01	Assieme rotante N (Ugello Ø 1.55)	1
	8	10.0628.66	Nipplo convogl. N (4 fori - Ø 2.75)	1
J	5	10.7396.01	Assieme rotante J (Ugello Ø 1.35)	1
	8	10.0626.66	Nipplo convogl. J (4 fori - Ø 2)	1
G	5	10.7397.01	Assieme rotante G (Ugello Ø 1.1)	1
	8	10.0627.66	Nipplo convogl. G (2 fori - Ø 1.4)	1
R	5	10.7400.01	Assieme rotante R (Ugello Ø 1.8)	1
	8	10.0648.66	Nipplo convogl. R (4 fori - Ø 3.5)	1



**ROTOTEK**

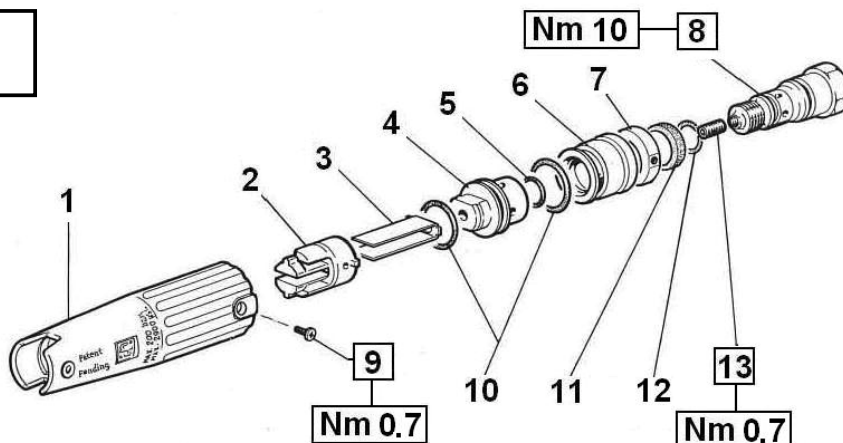
**DIS. COD. 10.9545.00**

POS	COD.	DESCRIZIONE - DESCRIPTION KIT	NR
1	10.0568.51	Manopola	1
2	90.3845.00	OR Ø 18.72x2.62 (3075)	2
3	10.0450.70	Tappo M18x1	1
4	90.3835.00	OR Ø 15.08x2.62 (119)	2
5	90.3585.00	OR Ø 10.82x1.78 (2043)	1
6	10.0455.09	Sede	1
7	10.0451.70	Corpo	1
8	99.0702.00	Vite M3x4 UNI 7687	1
9	10.0456.09	Testina	1
10	***	Vedere tabella - See table	-
11	90.3574.00	OR Ø 6.07x1.78 (2025)	1
12	10.0564.02	Assieme rotore	1
13	10.0453.51	Guida flusso	1
14	90.5090.00	Anello antiest. Ø 15.8x20x1.3	1
15	***	Vedere tabella - See table	-
16	90.3867.00	OR Ø 31.42x2.62 (3125)	1
17	10.0567.51	Cilindro adattatore	1
18	90.3819.00	OR Ø 9.13x2.62 (109)	1
19	10.0485.70	Cilindro distributore	1
20	90.2680.00	Anello ten. alt. Ø 18	1
21	90.3828.00	Or Ø 12.37x2.62 (3050)	1
22	10.0484.70	Nipplo distributore	1
23	10.0566.51	Ghiera di fermo	1

MODEL	POS	COD.	DESCRIZIONE - DESCRIPTION	NR
135	10	98.6632.00	Ugello 135 - Blu	1
	15	10.0472.70	Convogliatore Ø 1.4	1
140	10	98.6674.00	Ugello 140 - Rosso	1
	15	10.0472.70	Convogliatore Ø 1.4	1
145	10	98.6690.00	Ugello 145 - Giallo	1
	15	10.0472.70	Convogliatore Ø 1.4	1
150	10	98.6725.00	Ugello 150 - Azzurro	1
	15	10.0454.70	Convogliatore Ø 1.6	1
155	10	98.6756.00	Ugello 155 - Bianco	1
	15	10.0471.70	Convogliatore Ø 2	1
160	10	98.6780.00	Ugello 160 - Nero	1
	15	10.0471.70	Convogliatore Ø 2	1

MODEL	POS	COD.	DESCRIZIONE - DESCRIPTION	NR
175	10	98.6935.00	Ugello 175 - Neutro	1
	15	10.0471.70	Convogliatore Ø 2	1

**MULTIREG 99**

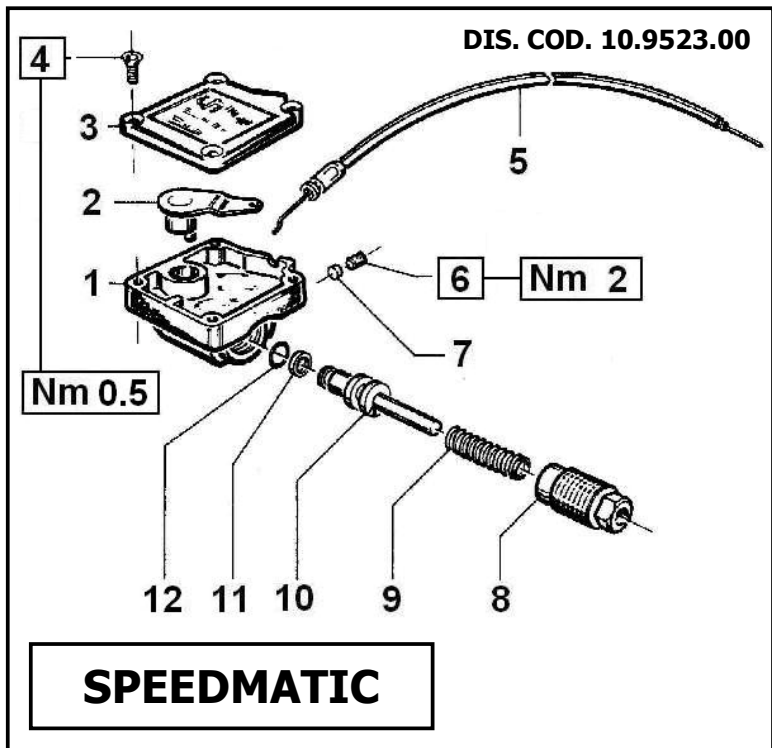


**DIS. COD. 10.9526.00**

**DISTINTA - SPARE PARTS**

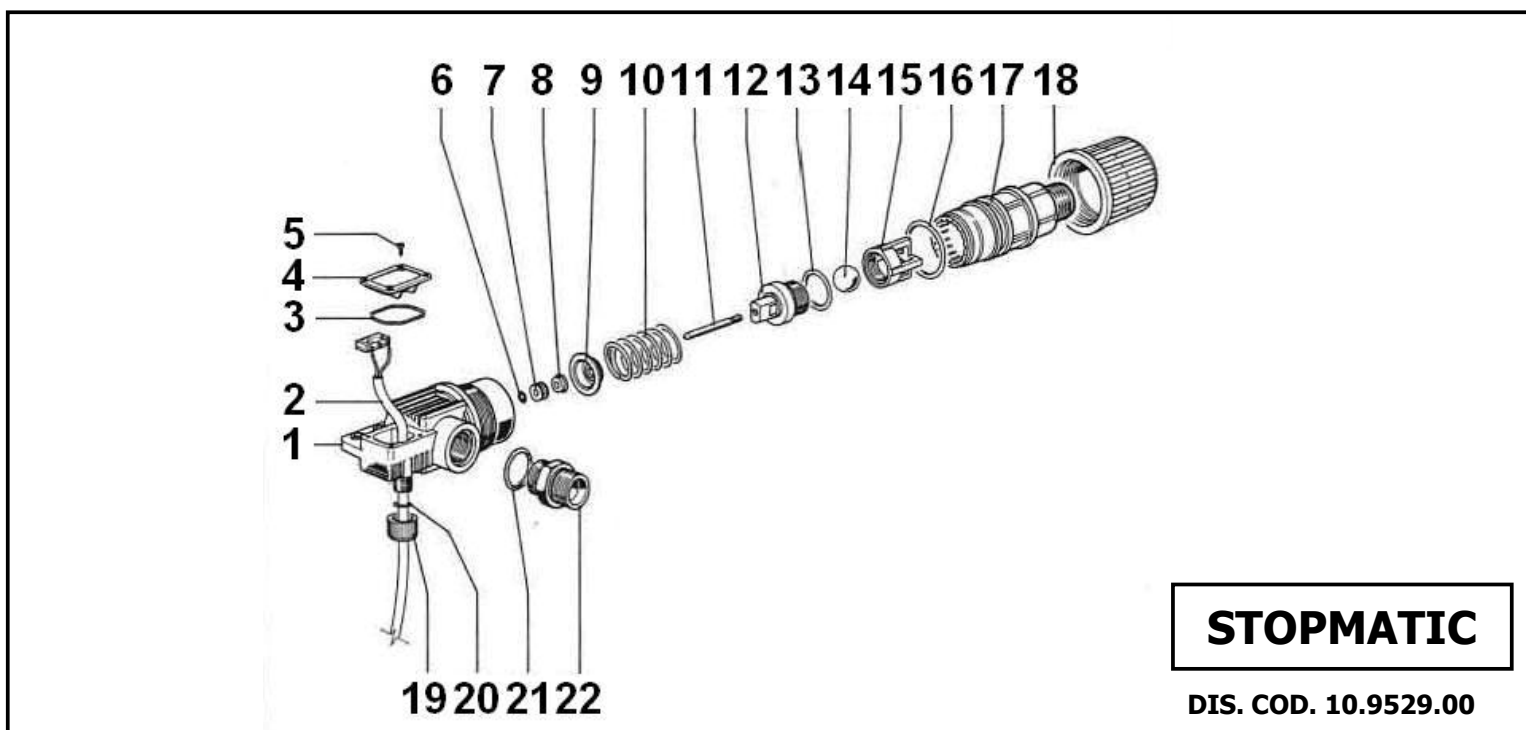
POS	COD.	DESCRIZIONE - DESCRIPTION KIT	NR
1	10.0483.51	Manopola	1
2	10.0299.51	Pinza	1
3	10.0304.76	Lame di guida	1
4	10.0486.70	Testina portalame	1
5	90.3819.00	OR Ø 9.13x2.62 (109)	1
6	10.0485.70	Cilindro distributore	1
7	10.0496.70	Anello	1
8	10.0484.70	Nipplo distributore	1
9	99.0702.00	Vite M3x4 UNI 7687	2
10	90.3845.00	OR Ø 18.72x2.62 (3075)	2

POS	COD.	DESCRIZIONE - DESCRIPTION KIT	NR
11	90.2680.00	Anello ten. alt. Ø 18	1
12	90.3828.00	OR Ø 12.37x2.62 (3050)	1
13	98.6610.00	Ugello 125 - Beige	1
	98.6615.00	Ugello 130 - Arancione	1
	98.6632.00	Ugello 135 - Blu	1
	98.6674.00	Ugello 140 - Rosso	1
	98.6690.00	Ugello 145 - Giallo	1
	98.6725.00	Ugello 150 - Azzurro	1
	98.6756.00	Ugello 155 - Bianco	1
	98.6780.00	Ugello 160 - Nero	1
	98.6820.00	Ugello 165 - Viola	1
	98.6915.00	Ugello 170 - Marrone	1
98.6935.00	Ugello 175 - Neutro	1	
98.6963.00	Ugello 180 - Verde	1	



**DISTINTA – SPARE PARTS**

POS	COD.	DESCRIZIONE – DESCRIPTION KIT	NR
1	10.0440.41	Corpo comando acceleratore	1
2	10.0445.02	Leva	1
3	10.0441.51	Coperchio comando acceleratore	1
4	99.1272.00	Vite M4x12 UNI 7688	4
5	10.0446.01	Cavo acceleratore	1
6	99.1507.00	Vite M5x6 UNI 5923	1
7	10.0192.62	Pastiglia frenafletti	1
8	10.0447.70	Vite di registro	11
9	94.7346.00	Molla Ø 7.7x37	1
10	10.0442.70	Pistoncino di comando	1
11	90.5025.00	Anello antiest. Ø 7x10x1.5	1
12	90.3576.00	OR Ø 6.75x1.78 (106)	1



**STOPMATIC**

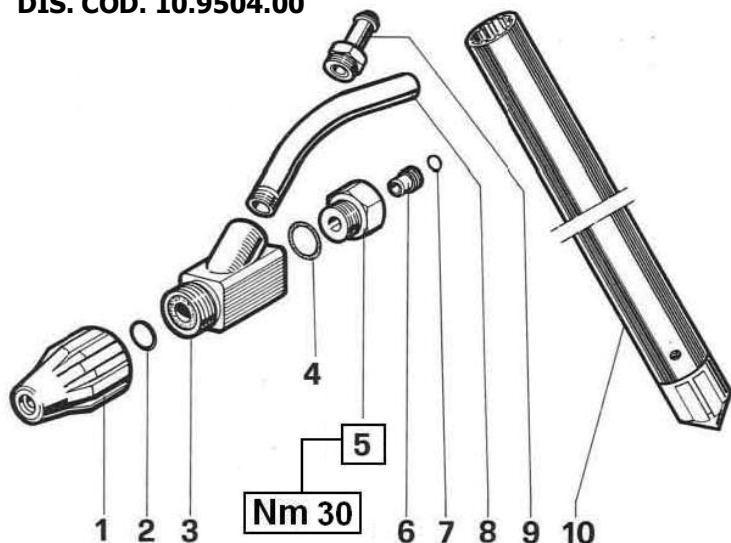
DIS. COD. 10.9529.00

**DISTINTA – SPARE PARTS**

POS	COD.	DESCRIZIONE – DESCRIPTION KIT	NR
1	10.0476.51	Corpo	1
2	10.7235.02	Microinterruttore e cavo	1
3	90.3602.00	OR Ø 23.52x1.78 (2093)	1
4	10.0503.51	Coperchio	1
5	99.0344.00	Vite Ø 2.2x9.5	4
6	90.3568.00	OR Ø 3.69x1.78 (2015)	1
7	10.0481.70	Distanziale	1
8	90.2508.00	Anello di tenuta Ø 4x10x4	1
9	10.0480.70	Piattello molla	1
10	94.7513.00	Molla Ø 21.5x44	1
11	10.0479.73	Asta	1

POS	COD.	DESCRIZIONE – DESCRIPTION KIT	NR
12	10.0478.70	Pistoncino di comando	1
13	90.4039.00	OR Ø 18.64x3.53 (4075)	1
14	97.4886.00	Sfera Ø 16	1
15	10.0475.51	Guida valvola	1
16	90.4053.00	OR Ø 28.17x3.53 (4112)	1
17	10.0545.01	Assieme cilindro	1
18	10.0474.51	Ghiera	1
19	92.9740.00	Galletto M14x1.5	1
20	90.3814.00	OR Ø 5.23x2.62 (3021)	1
21	90.3841.00	OR Ø 17.13x2.62 (3068)	1
22	95.2969.00	Nipplo G 1/2"x37	1

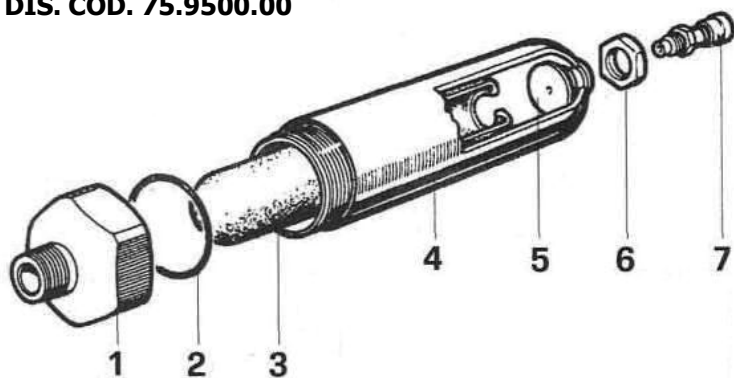
DIS. COD. 10.9504.00



**TESTINA SABBIANTE**

POS	COD.	DESCRIZIONE - DESCRIPTION KIT	NR
1	10.7050.01	Assieme ghiera e ugello sabbiatore	1
2	90.3828.00	OR Ø 12.37x2.62 (3050)	1
3	10.7062.01	Corpo sabbiatore	1
4	90.3593.00	OR Ø 15.6x1.78 (2062)	1
5	10.0129.70	Nipplo portaugello	1
6	10.0141.66	Ugello Ø 1.5 - Testina 0	1
	10.0133.66	Ugello Ø 1.6 - Testina 1	1
	10.0134.66	Ugello Ø 1.7 - Testina 2	1
	10.0135.66	Ugello Ø 1.85 - Testina 3	1
	10.0140.66	Ugello Ø 2.1 - Testina 4	1
	10.0330.66	Ugello Ø 2.3 - Testina 5	1
7	90.3576.00	OR Ø 6.75x1.78 (106)	1
8	10.0137.89	Tubo portagomma	1
9	96.3295.00	Raccordo diretto Ø 14xG 1/4"x32	1
10	ZTESOND	Tubo aspirazione sabbia	1

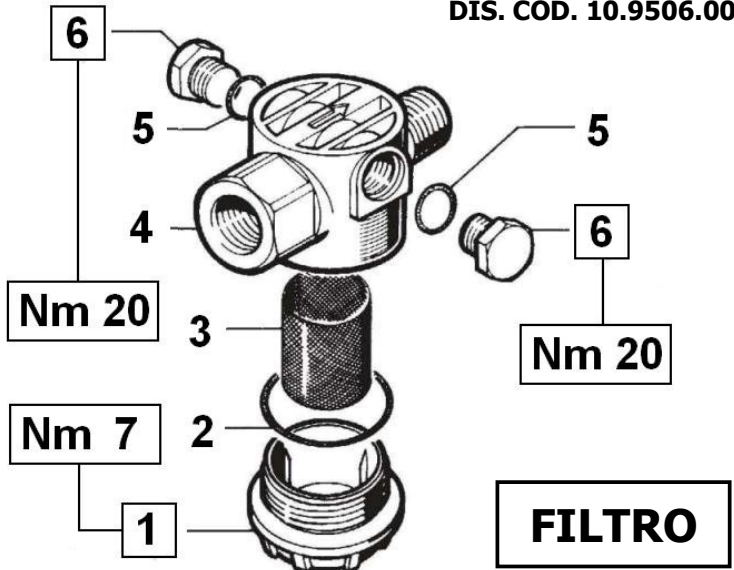
DIS. COD. 75.9500.00



**ACCUMULATORE**

POS	COD.	DESCRIZIONE - DESCRIPTION KIT	NR
1	75.1901.64	Accumulatore inferiore	1
2	90.4077.00	OR Ø 44.45x3.53 (149)	1
3	75.1700.47	Membrana accumulatore	1
4	75.1800.89	Accumulatore superiore	1
5	75.2105.70	Vite fissaggio membrana	1
6	92.2562.00	Dado M16x1.5	1
7	98.8650.00	Valvola aria G 1/8"x11.5	1

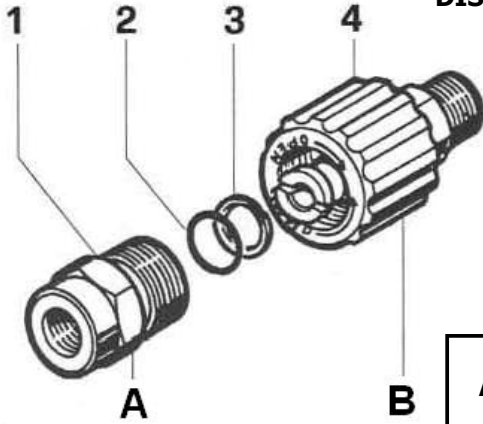
DIS. COD. 10.9506.00



**FILTRO**

POS	COD.	DESCRIZIONE - DESCRIPTION KIT	NR
1	10.0166.51	Tappo M40x2	1
2	90.3871.00	OR Ø 34.6x2.62 (3137)	1
3	10.0167.76	Rete filtro	1
4	10.0165.22	Corpo filtro	1
5	90.3585.00	OR Ø 10.82x1.78 (2043)	2
6	98.2041.00	Tappo G 1/4"x9	2

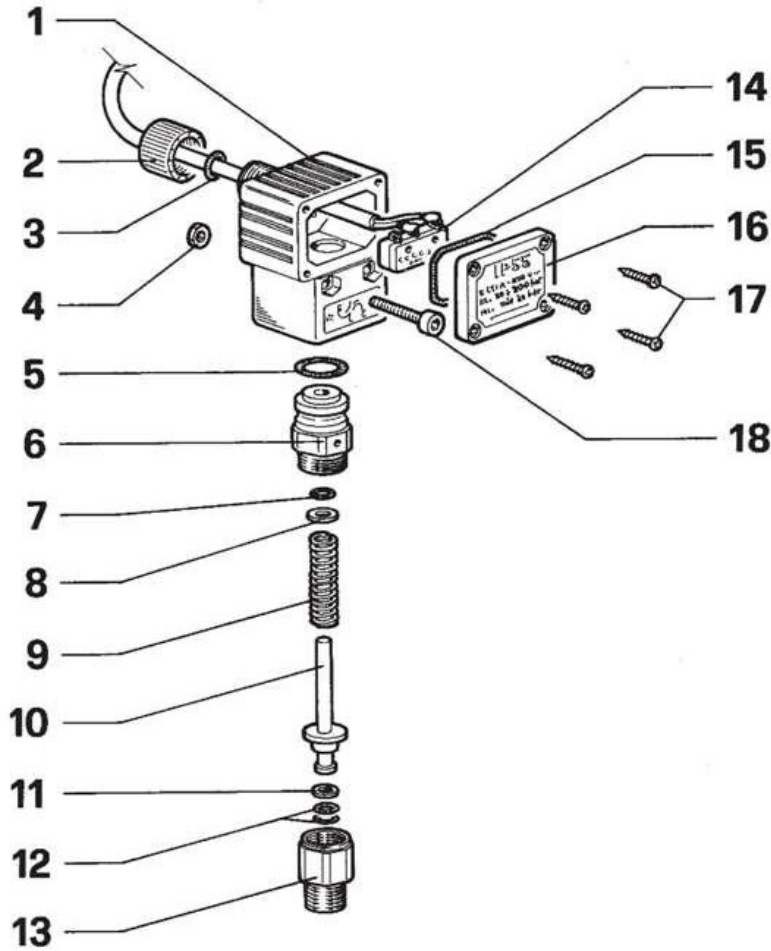
DIS. COD. 10.9507.00



**ATTACCO  
RAPIDO**

**DISTINTA – SPARE PARTS**

POS	COD.	DESCRIZIONE – DESCRIPTION KIT	NR
1	ZINA 1/4" F	Part. A – G 1/4" F	1
	ZINA 3/8" F	Part. A – G 3/8" F	1
	ZINA 1/4" M	Part. A – G 1/4" M	1
2	90.3820.00	OR Ø 9.13x2.62 (109)	1
3	90.5052.00	Anello antiest. Ø 9.6x14x1.5	1
4	ZINB 1/4" M	Part. B – G 1/4" M	1
	ZINB 3/8" M	Part. B – G 3/8" M	1
	ZINB 1/2" M	Part. B – G 1/2" M	1
	ZINB 1/4" F	Part. B – G 1/4" F	1
	ZINB 3/8" F	Part. B – G 3/8" F	1



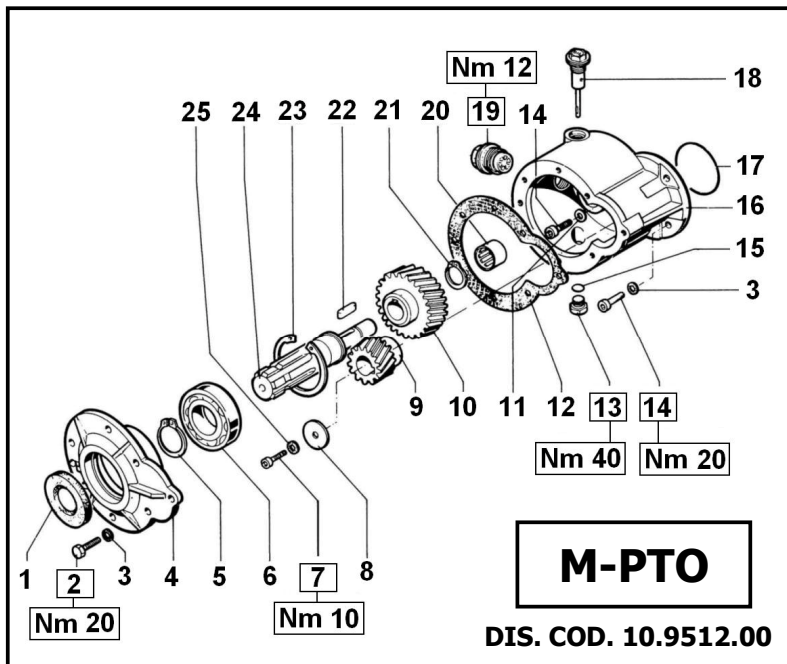
**SIMPLEX 3**

DIS. COD. 10.9525.00

**DISTINTA – SPARE PARTS**

POS	COD.	DESCRIZIONE – DESCRIPTION KIT	NR
1	10.0464.51	Scatola di protezione	1
2	92.9740.00	Galletto M14x1.5	1
3	90.3814.00	OR Ø 5.23x2.62 (3021)	1
4	92.1926.00	Dado M4x7x3.2 UNI 5588	2
5	90.3827.00	OR Ø 11.91x2.62 (115)	1
6	10.0466.70	Corpo pressostato	1
7	90.3570.00	OR Ø 4.48x1.78 (2018)	1
8	96.6915.00	Rosetta Ø 5.3x9.8x1	1
9	94.7343.00	Molla Ø 7.5x31.5	1
10	10.0468.70	Pistoncino di comando	1

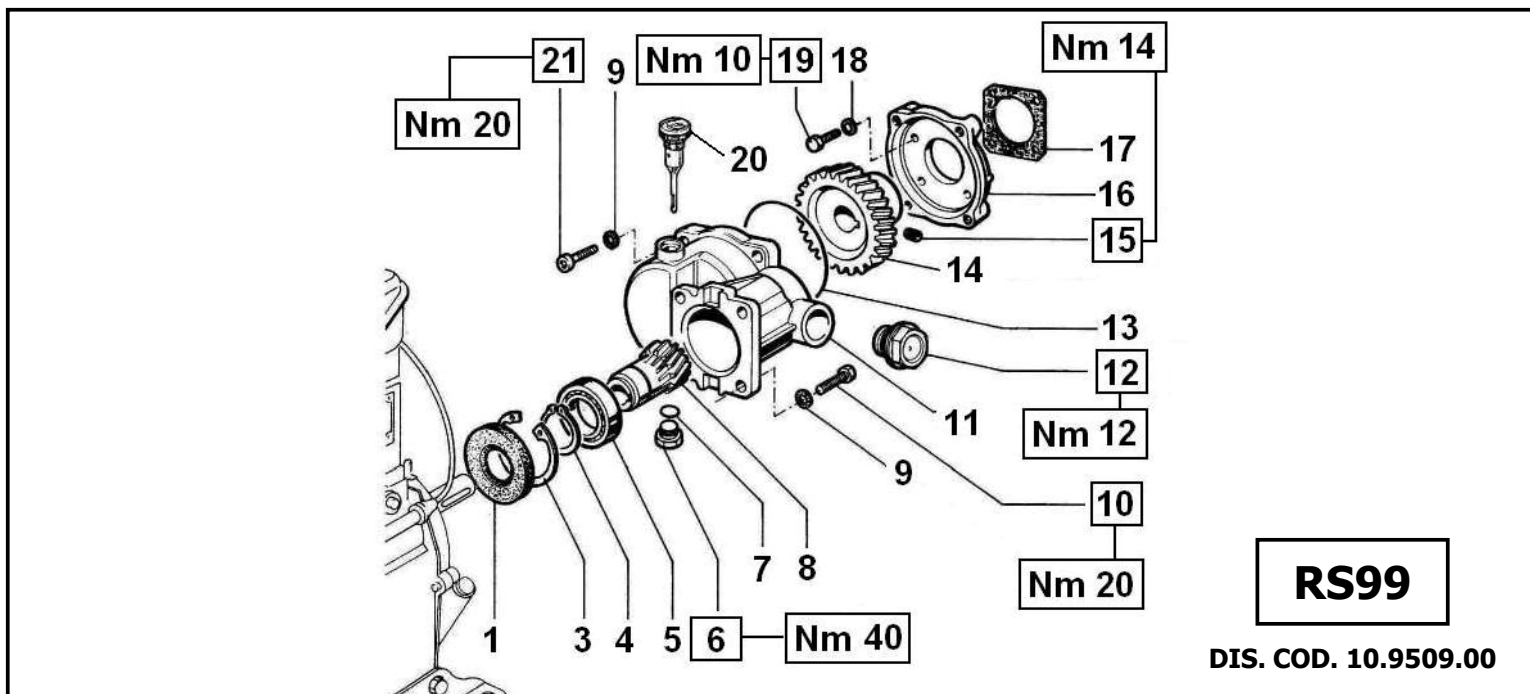
POS	COD.	DESCRIZIONE – DESCRIPTION KIT	NR
11	90.5010.00	Anello antiest. Ø 4x7x1.5	1
12	90.3568.00	OR Ø 3.69x1.78 (2015)	2
13	10.0467.70	Nipplo per pressostato	1
14	10.7233.02	Microinterruttore e cavo – N.Aperto	1
	10.7235.02	Microinterruttore e cavo – N.Chiuso	1
15	90.3602.00	OR Ø 23.5x1.78 (2093)	1
16	10.0503.51	Coperchio	1
17	99.0344.00	Vite Ø 2.2x9.5	4
18	99.1320.00	Vite M4x20 UNI 5931	2



**DISTINTA – SPARE PARTS**

POS	COD.	DESCRIZIONE – DESCRIPTION KIT	NR
1	90.1672.00	Anello rad. Ø 35x52x8	1
2	99.3067.00	Vite M8x25 UNI 5739	8
3	96.7014.00	Rosetta Ø 8.4x13x0.8	10
4	10.0220.22	Coperchio	1

POS	COD.	DESCRIZIONE – DESCRIPTION KIT	NR
5	90.0695.00	Anello seeger Ø 35 UNI 7435	1
6	91.8470.00	Cuscinetto a sfere 6207	1
7	99.1897.00	Vite M6x25 UNI 5931	1
8	96.6953.00	Rosetta Ø 6.5x30x4	1
9	10.0221.55	Pignone Z17	1
10	10.0222.55	Corona Z32	1
11	93.1754.00	Rondella con tenuta Ø 8.5x14.5	2
12	10.0224.84	Guarnizione	1
13	98.2100.00	Tappo G 3/8"x13	1
14	99.3085.00	Vite M8x30 UNI 5931	4
15	90.3833.00	OR Ø 13.95x2.62 (3056)	1
16	10.0219.22	Carter moltiplicatore	1
17	90.3898.00	OR Ø 56.82x2.62 (3225)	1
18	98.2103.00	Tappo carico olio G 3/8"	1
19	97.5968.00	Spia livello olio	1
20	91.8310.00	Boccola a rullini	1
21	90.0635.00	Anello seeger Ø 25 UNI 7435	1
22	91.4878.00	Linguetta 8x7x25 UNI 6604	1
23	90.0918.00	Anello seeger Ø 72 UNI 7437	1
24	10.0223.55	Albero	1
25	96.6938.00	Rosetta Ø 6.4x10x0.7	1



**DISTINTA – SPARE PARTS**

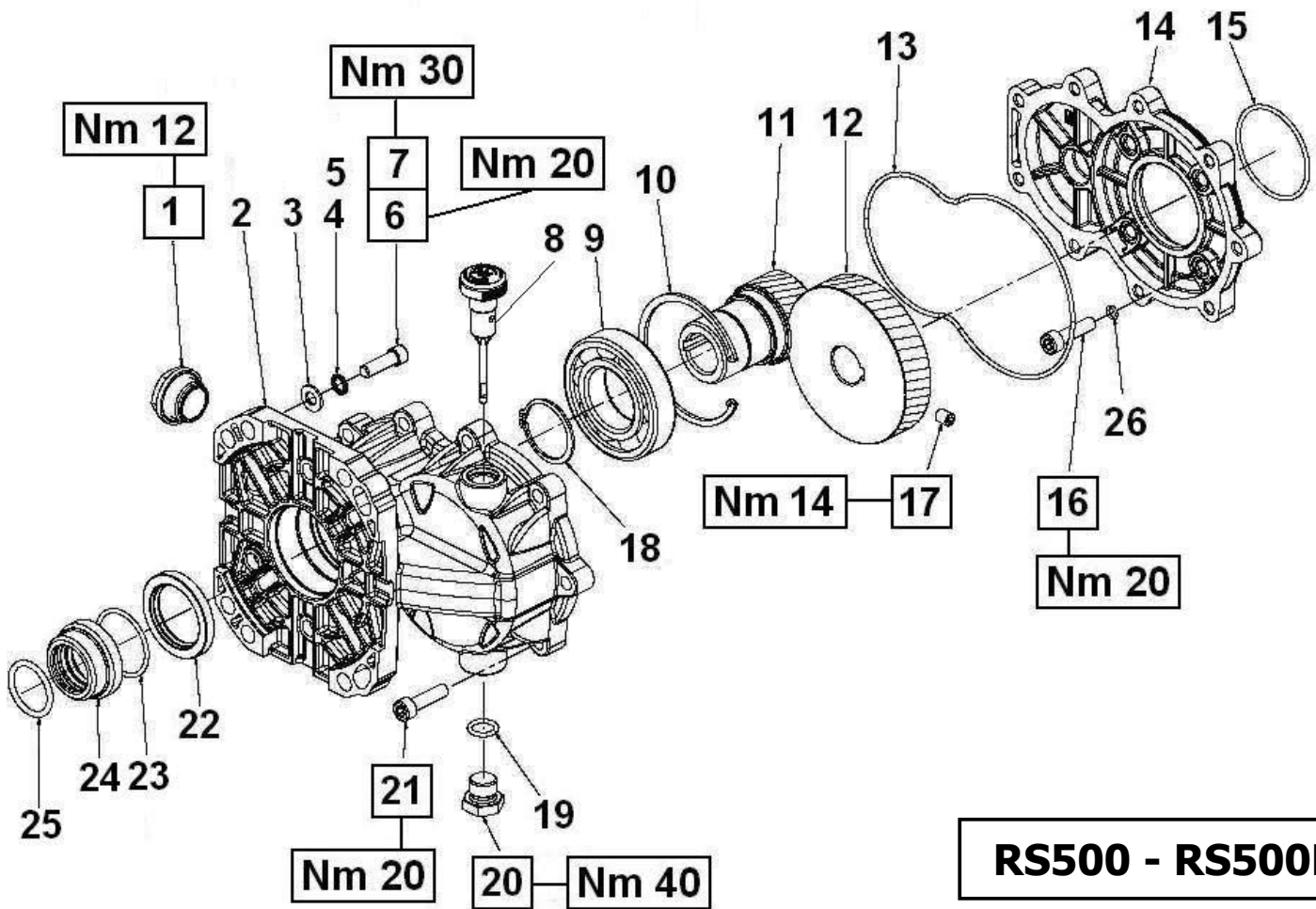
POS	COD.	DESCRIZIONE – DESCRIPTION KIT	NR
1	90.1674.00	Anello rad. Ø 35x62x10	1
3	90.0850.00	Anello seeger Ø 62 UNI 7437	1
4	90.0695.00	Anello seeger Ø 35 UNI 7435	1
5	91.8464.00	Cuscinetto a sfere 6007	1
6	98.2100.00	Tappo G 3/8"x13	1
7	90.3833.00	OR Ø 13.95x2.62 (3056)	1
8	10.0205.55	Pignone Z13	1
9	96.7014.00	Rosetta Ø 8.4x13x0.8	8
10	99.2740.00	Vite 5/16"x7/8"	4
11	10.0203.22	Carter riduttore	1

POS	COD.	DESCRIZIONE – DESCRIPTION KIT	NR
12	97.5968.00	Spia livello olio G 3/4"	1
13	90.4141.00	OR Ø 85.32x3.53 (4337)	1
14	10.0206.55	Corona Z30	1
15	99.3017.00	Vite M8x10 UNI 5929	1
16	10.0204.22	Flangia riduttore	1
17	10.0207.84	Guarnizione	1
18	96.6938.00	Rosetta Ø 6.4x10x0.7	4
19	99.1882.00	Vite M6x20 UNI 5739	4
20	98.2103.00	Tappo carico olio G 3/8"	1
21	99.3084.00	Vite M8x30 UNI 5931	4





**RIDUTTORE PER MOTORI ENDOTERMICI – GEARBOX FOR PETROL OR DIESEL ENGINES  
 REDUCTEUR POUR MOTEURS THERMIQUES – UNTERSETZUNGSGETRIEBE FÜR BENZIN ODER DIESELMOTOREN  
 REDUCTORA PARA MOTORES ENDOTERMICOS – REDUTOR PARA MOTORES DE COMBUSTÃO INTERNA**

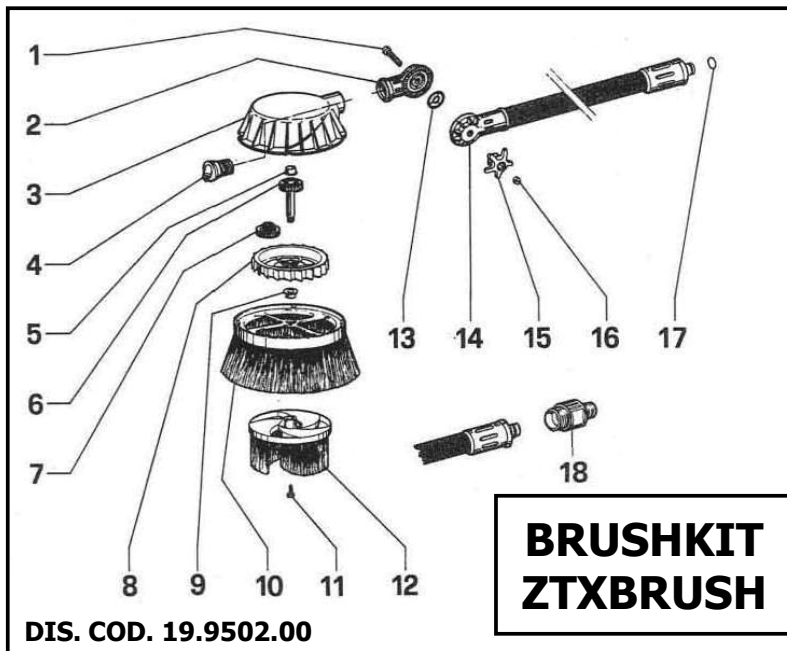


**RS500 - RS500H**

**DIS. COD. 10.9556.00**

POS	COD.	DESCRIZIONE – DESCRIPTION KIT	NR
1	97.5968.00	Spia livello olio G 3/4"x11.5	1
2	10.0756.22	Scatola riduttore RS500	1
3	96.7020.00	Rosetta Ø 8.4x15x1.5	4
4	96.7014.00	Rondella elastica Ø 8.4x13x0.8	4
5	96.7104.00	Rondella elastica Ø 10.5x16x1	4
6	99.2755.00	Vite 5/16"-24x1"	4
7	99.3346.00	Vite 3/8"-16x1-1/4"	4
8	98.2106.00	Tappo con asta G 3/8"x64	1
9	91.8520.00	Cuscinetto a sfere 6208	1
10	90.0976.00	Anello seeger Ø 80 UNI 7437	1
11	10.0233.55	Pignone Z17 – Ø 25.4	1
	10.0312.55	Pignone Z17 – Ø 25 - RS500	1
	10.0271.55	Pignone Z17 – Ø 28.6 - RS500	1
12	10.0234.55	Corona Z37	1
13	90.3929.00	OR Ø 152.07x2.62 (3600)	1

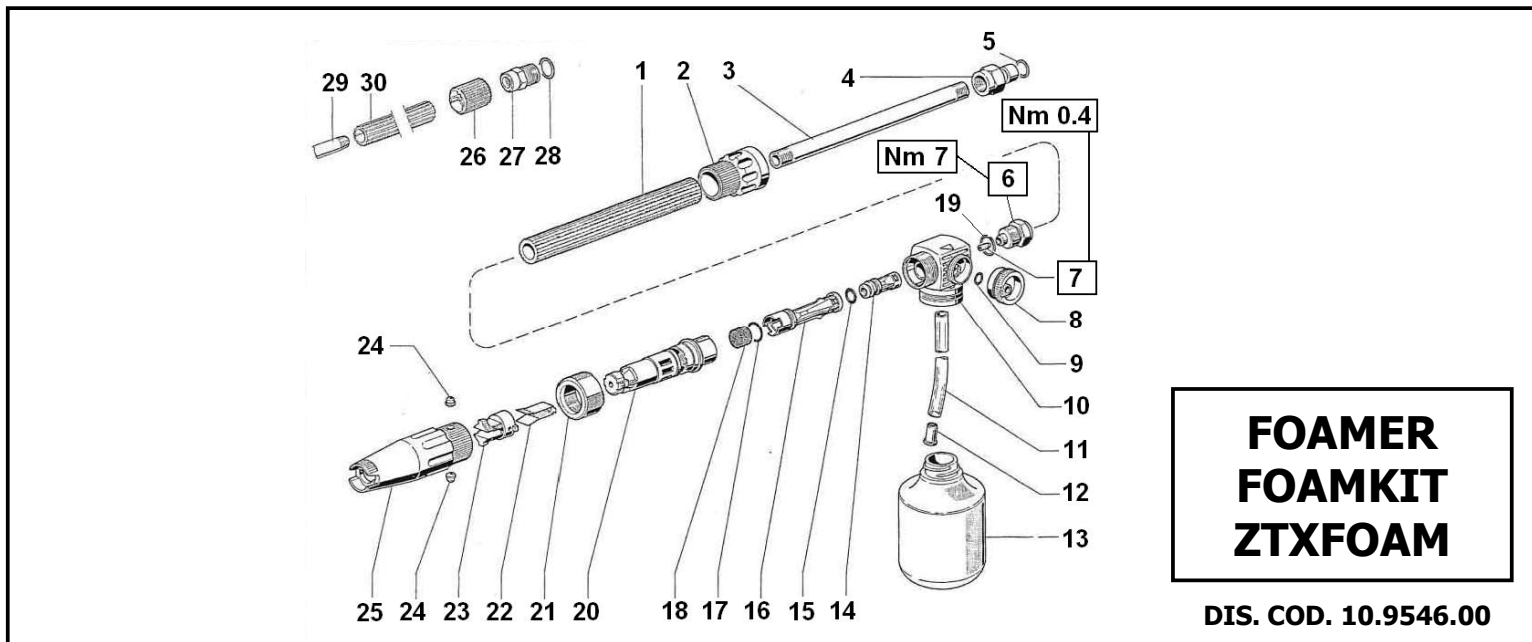
POS	COD.	DESCRIZIONE – DESCRIPTION KIT	NR
14	10.0757.22	Coperchio riduttore	1
15	90.3898.00	OR Ø 56.82x2.62 (3225)	1
16	99.3085.00	Vite M8x30 UNI 5931	4
17	99.3017.00	Vite M8x30 UNI 5929	1
18	90.0725.00	Anello seeger Ø 40 UNI 7435	1
19	90.3833.00	OR Ø 13.95x2.62 (3056)	1
20	98.2100.00	Tappo G 3/8"x13	1
21	99.3084.00	Vite M8x30 UNI 5931	9
22	90.1680.00	Anello rad. Ø 40x55x7	1
23	90.3877.00	OR Ø 39.34x2.62 (3156) – RS500H	1
24	10.0766.70	Bussola di contenimento – RS500H	1
25	90.4055.00	OR Ø 29.75x3.53 (4118) – RS500H	1
26	90.3507.00	OR Ø 6x1.5	4



**DIS. COD. 19.9502.00**

POS	COD.	DESCRIZIONE - DESCRIPTION KIT	NR
3	19.0012.02	Coperchio	1
4	19.0011.51	Ugello Ø 3.85	1
5	19.0018.93	Boccola Ø 9.4	1
6	19.0016.02	Ingranaggio Z32	1
7	19.0015.51	Ingranaggio doppio Z13/32	1
8	19.0014.51	Turbina	1
9	19.0017.51	Boccola Ø 8.2	1
10	19.0006.02	Spazzola fissa	1
11	99.0840.00	Vite Ø 3.5x13 UNI 7049	1
12	19.0010.02	Spazzola rotante	1
13	19.0013.47	Guarnizione snodo	1
14	19.7008.01	Impugnatura spazzola	1
15	19.0008.51	Pomolo di regolazione	1
16	92.2018.00	Dado M6x10x4	1
17	90.3820.00	OR Ø 9.13x2.62 (109)	1
SOLO PER ZTX BRUSH - ONLY FOR ZTXBRUSH			
18	10.0553.51	Adattatore M27-M22x1.5	1

POS	COD.	DESCRIZIONE - DESCRIPTION KIT	NR
1	99.1945.00	Vite M6x40 UNI 5739	1
2	19.0001.51	Semisnodo	1



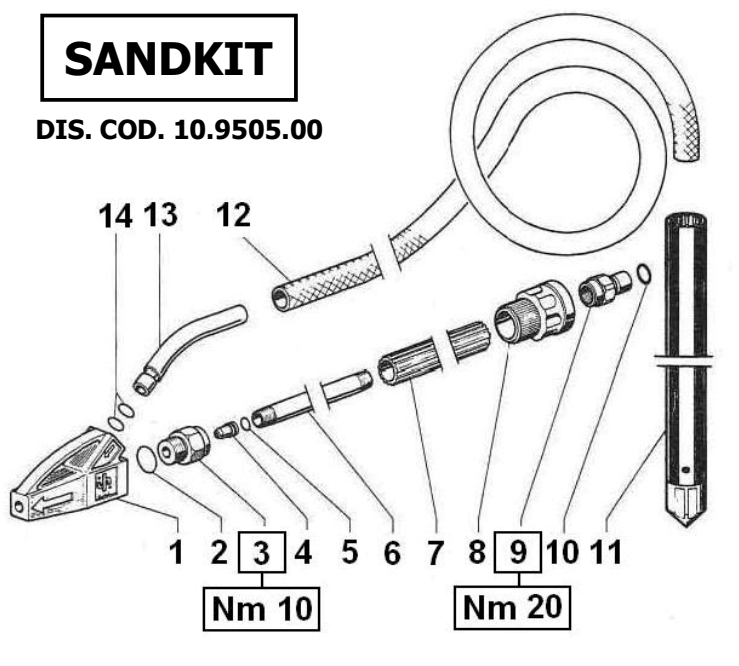
**DIS. COD. 10.9546.00**

POS	COD.	DESCRIZIONE - DESCRIPTION KIT	NR
1	18.0106.98	Impugnatura - Quick 2	1
2	10.0295.51	Ghiera di fermo	1
3	18.2033.89	Tubo G 1/4" - Quick 2	1
4	10.0297.70	Innesto maschio	1
5	90.3820.00	OR Ø 9.13x2.62 (109)	1
6	10.0291.70	Nipplo	1
7	98.6674.00	Ugello 140 - Type 1	1
	98.6690.00	Ugello 145 - Type 3	1
	98.6780.00	Ugello 160 - Type 5	1
	98.6915.00	Ugello 170 - Type 7	1
8	10.0289.51	Pomolo di regolazione	1
9	90.3574.00	OR Ø 6.07x1.78 (2025)	1
10	10.0288.51	Corpo	1
11	10.0292.98	Tubo Ø 7x10 L=135	1
12	92.8914.00	Filtro	1
13	10.0276.51	Contenitore detergente 500 cc.	1
14	10.0285.51	Tubo venturi detergente	1
15	90.3580.00	OR Ø 8.73x1.78 (108)	1

POS	COD.	DESCRIZIONE - DESCRIPTION KIT	NR
16	10.0286.51	Tubo venturi aria	1
17	90.3589.00	OR Ø 12.42x1.78 (2050)	1
18	10.0270.36	Pastiglia filtro Ø 15x10	1
19	90.3593.00	OR Ø 15.6x1.78 (2062)	1
20	10.0290.51	Cilindro	1
21	92.9836.00	Galletto M28x1.5	1
22	10.0304.76	Lame di guida	1
23	10.0299.51	Pinza	1
24	98.1916.00	Tappo Ø 6	2
25	10.0300.51	Manopola di regolazione	1
SOLO PER ZTXFOAM - ONLY FOR ZTXFOAM			
26	10.0542.51	Protezione	1
27	ZINA 1/4" F	Nipplo 1/4" F-M22x1.5	1
28	90.3845.00	OR Ø 18.72x2.62 (3075)	1
29	18.0127.89	Tubo G 1/4" - Quick 35	1
30	18.0126.98	Impugnatura - Quick 35	1

# SANDKIT

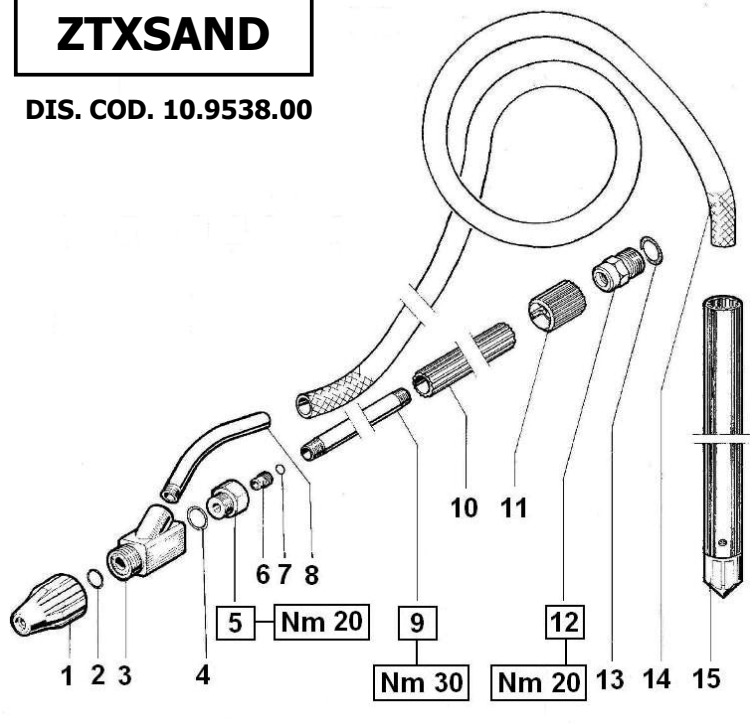
DIS. COD. 10.9505.00



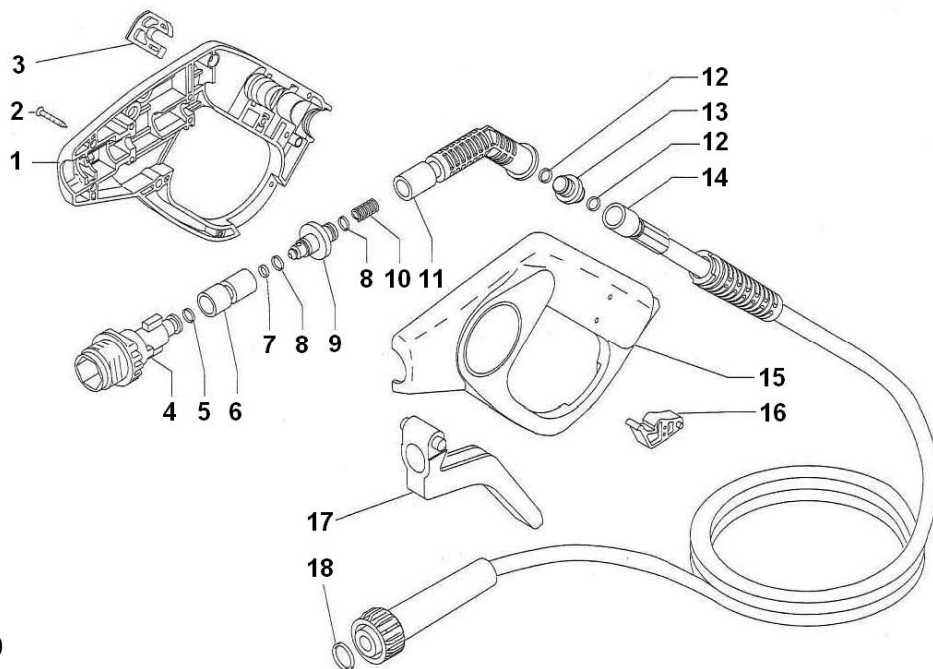
POS	COD.	DESCRIZIONE - DESCRIPTION KIT	NR
1	10.0331.01	Assieme testina e ugello	1
2	90.3593.00	OR Ø 15.6x1.78 (2062)	1
3	10.0129.70	Nipplo portaugello	1
4	10.0141.66 10.0133.66 10.0134.66 10.0135.66 10.0140.66 10.0330.66	Ugello Ø 1.5 - Sandkit 0 Ugello Ø 1.6 - Sandkit 1 Ugello Ø 1.7 - Sandkit 2 Ugello Ø 1.85 - Sandkit 3 Ugello Ø 2.1 - Sandkit 4 Ugello Ø 2.3 - Sandkit 5	1 1 1 1 1 1
5	90.3576.00	OR Ø 6.75x1.78 (106)	1
6	18.2033.89	Tubo G 1/4"	1
7	18.0106.98	Protezione tubo	1
8	10.0295.51	Ghiera di fermo	1
9	10.0297.70	Innesto maschio	1
10	90.3820.00	OR Ø 9.13x2.62 (109)	1
11	ZTESOND	Tubo aspirazione sabbia	1
12	10.0320.98	Tubo Ø 13 L=3000	1
13	10.0311.89	Tubo portagomma	1
14	90.3582.00	OR Ø 9.25x1.78 (2037)	2

# ZTXSAND

DIS. COD. 10.9538.00



POS	COD.	DESCRIZIONE - DESCRIPTION KIT	NR
1	10.7050.01	Assieme ghiera e ugello Ø 6	1
2	90.3828.00	OR Ø 12.37x2.62 (3050)	1
3	10.7062.01	Corpo sabbiatore	1
4	90.3593.00	OR Ø 15.6x1.78 (2062)	1
5	10.0129.70	Nipplo portaugello	1
6	10.0141.66 10.0133.66 10.0134.66 10.0135.66 10.0140.66 10.0330.66	Ugello Ø 1.5 - Testina 0 Ugello Ø 1.6 - Testina 1 Ugello Ø 1.7 - Testina 2 Ugello Ø 1.85 - Testina 3 Ugello Ø 2.1 - Testina 4 Ugello Ø 2.3 - Testina 5	1 1 1 1 1 1
7	90.3576.00	OR Ø 6.75x1.78 (106)	1
8	10.0137.89	Tubo portagomma	1
9	18.0127.89	Tubo G 1/4" L=350	1
10	18.0126.98	Impugnatura	1
11	10.0542.51	Protezione	1
12	ZINA 1/4"F	Nipplo 1/4"F-M22x1.5	1
13	90.3845.00	OR Ø 18.72x2.62 (3075)	1
14	10.0320.98	Tubo Ø 13 L=3000	1
15	ZTESOND	Tubo aspirazione sabbia	1

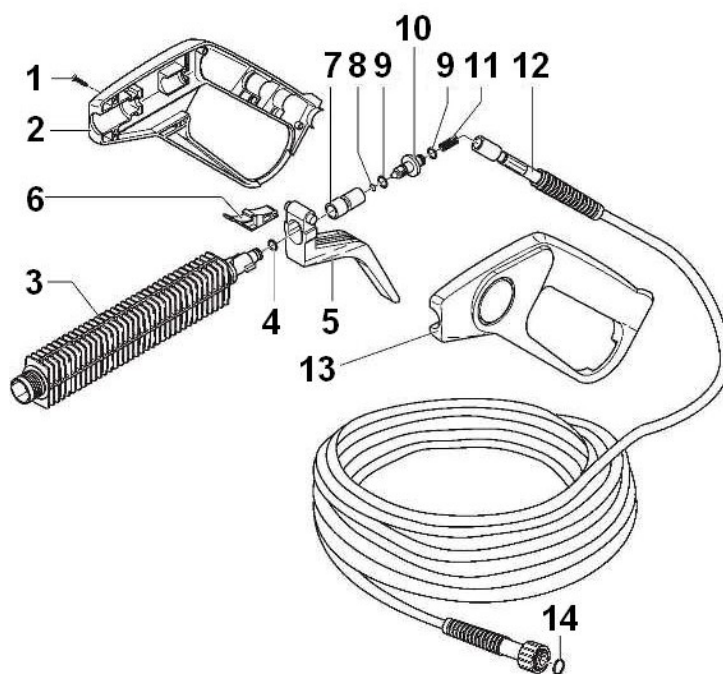


**P6**

**DIS. COD. 18.9523.00**

POS	COD.	DESCRIZIONE - DESCRIPTION KIT	NR
1	18.2104.51	Semiguscio destro	1
2	99.0744.00	Vite Ø 2.9x16 UNI 7049	8
3	18.2096.51	Forcella	1
4	10.0525.51	Adattatore M27x2	1
5	90.3818.00	OR Ø 7.59x2.62 (3030)	1
6	18.2095.70	Corpo	1
7	90.3662.00	OR Ø 3x2	1
8	90.3579.00	OR Ø 7.66x1.78 (2031)	2
9	18.2102.51	Otturatore	1

POS	COD.	DESCRIZIONE - DESCRIPTION KIT	NR
10	94.7340.00	Molla Ø 7.5x14	1
11	18.2097.51	Raccordo a gomito	1
12	90.3817.00	OR Ø 6.02x2.62 (3024)	2
13	18.2101.70	Adattatore	1
14	98.4018.00	Tube 1/4"x7	1
15	18.2103.51	Semiguscio sinistro	1
16	18.2094.51	Levetta per sicura	1
17	18.2089.51	Leva pistola	1
18	90.3819.00	OR Ø 9.13x2.62 (109)	1

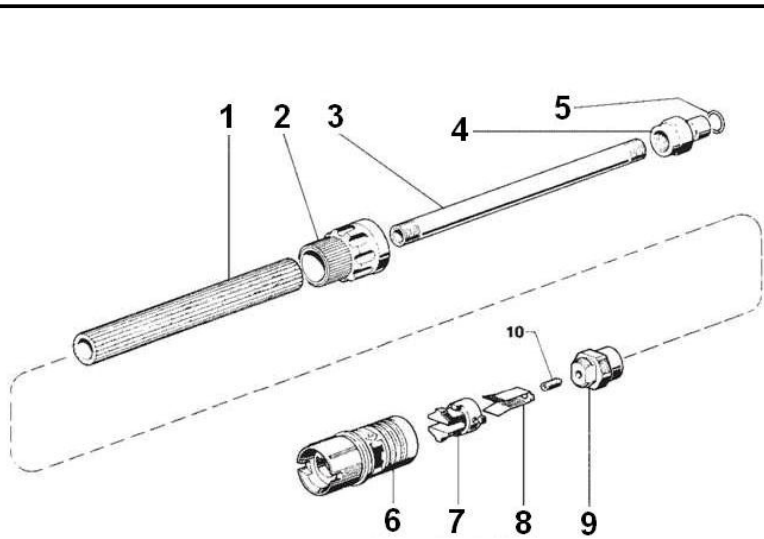


**P7**

**DIS. COD. 18.9525.00**

POS	COD.	DESCRIZIONE - DESCRIPTION KIT	NR
1	99.0744.00	Vite Ø 3x16	8
2	18.2111.51	Semiguscio destro	1
3	18.0128.51	Prolunga pistola P6	1
4	90.3818.00	OR Ø 7.59x2.62 (3030)	1
5	18.2089.51	Leva pistola	1
6	18.2094.51	Levetta per sicura	1
7	18.2095.70	Corpo	1

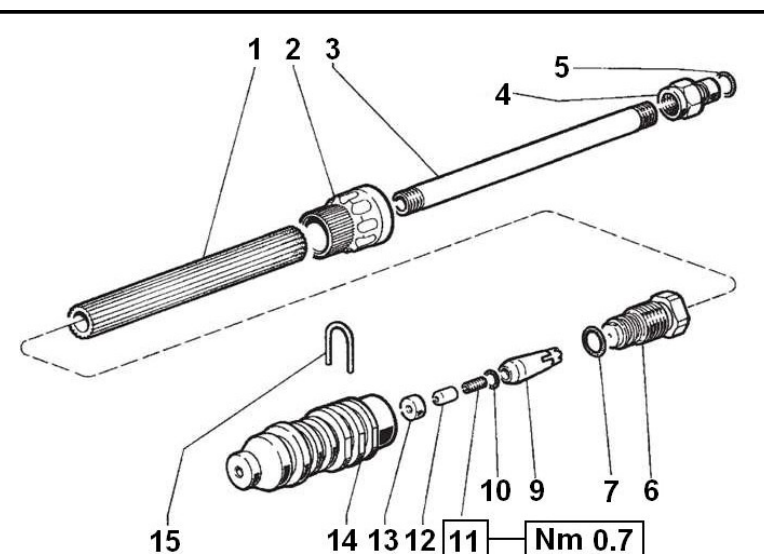
POS	COD.	DESCRIZIONE - DESCRIPTION KIT	NR
8	90.3662.00	OR Ø 3x2	1
9	90.3579.00	OR Ø 7.66x1.78 (2031)	2
10	18.2102.51	Otturatore	1
11	94.7340.00	Molla Ø 7.5x14	1
12	98.4107.00	Tube 1/4"x7	1
13	18.2110.51	Semiguscio sinistro	1
14	90.3819.00	OR Ø 9.13x2.62 (109)	1



## VARIOJET VARIOJETKIT

DIS. COD. 10.9537.00

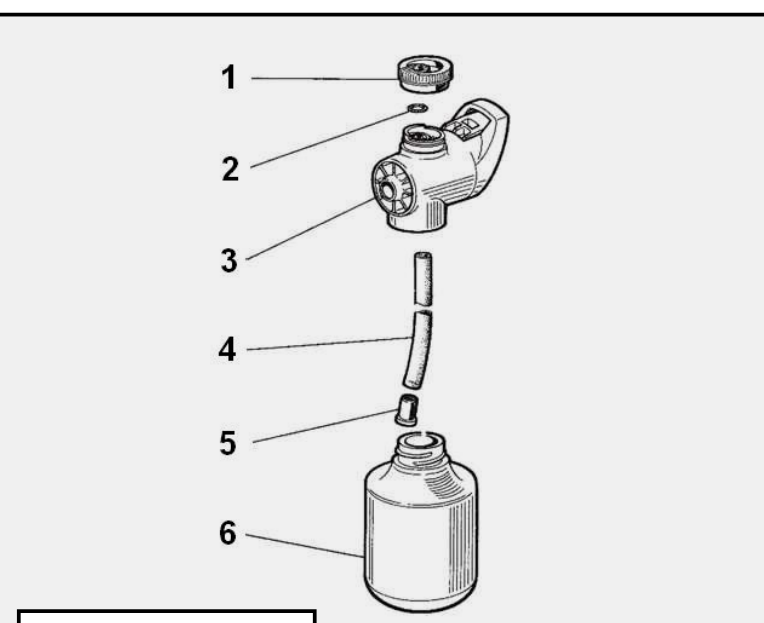
POS	COD.	DESCRIZIONE - DESCRIPTION KIT	NR
1	18.0126.98	Impugnatura	1
2	10.0295.51	Ghiera	1
3	18.0127.89	Tubo G 1/4"	1
4	10.0297.70	Innesto maschio	1
5	90.3820.00	OR Ø 9.13x2.62 (109)	1
6	10.0379.51	Manopola di regolazione	1
7	10.0299.51	Pinza	1
8	10.0304.76	Lama di guida	1
9	10.0380.70	Nipplo	1
10	98.6610.00	Ugello 125 - Beige	1
	98.6615.00	Ugello 130 - Arancione	1
	98.6632.00	Ugello 135 - Blu	1
	98.6674.00	Ugello 140 - Rosso	1
	98.6690.00	Ugello 145 - Giallo	1
	98.6725.00	Ugello 150 - Azzurro	1
	98.6756.00	Ugello 155 - Bianco	1
	98.6780.009	Ugello 160 - Nero	1
	8.6820.0098	Ugello 165 - Viola	1
	.6915.00	Ugello 170 - Marrone	1
98.6935.00	Ugello 175 - Neutro	1	
98.6963.00	Ugello 180 - Verde	1	



## ROTOCLEANKIT

DIS. COD. 10.9541.00

POS	COD.	DESCRIZIONE - DESCRIPTION KIT	NR
1	18.0126.98	Impugnatura	1
2	10.0295.51	Ghiera	1
3	18.0127.89	Tubo G 1/4"	1
4	10.0297.70	Innesto maschio	1
5	90.3820.00	OR Ø 9.13x2.62 (109)	1
6	10.0528.70	Nipplo convogliatore	1
7	90.3823.00	OR Ø 9.92x2.62 (112)	1
9	10.0560.22	Assieme rotore	1
10	90.3574.00	OR Ø 6.07x1.78 (2025)	1
11	98.6632.00	Ugello 135 - Blu	1
	98.6674.00	Ugello 140 - Rosso	1
	98.6690.00	Ugello 145 - Giallo	1
	98.6725.00	Ugello 150 - Azzurro	1
	98.6780.00	Ugello 160 - Nero	1
12	10.0456.09	Testina	1
13	10.0455.09	Sede	1
14	10.0526.51	Manopola	1
15	10.0527.66	Forcella	1



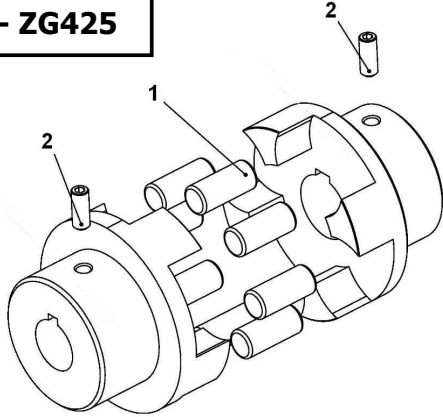
## CHEM KIT

DIS. COD. 10.9531.00

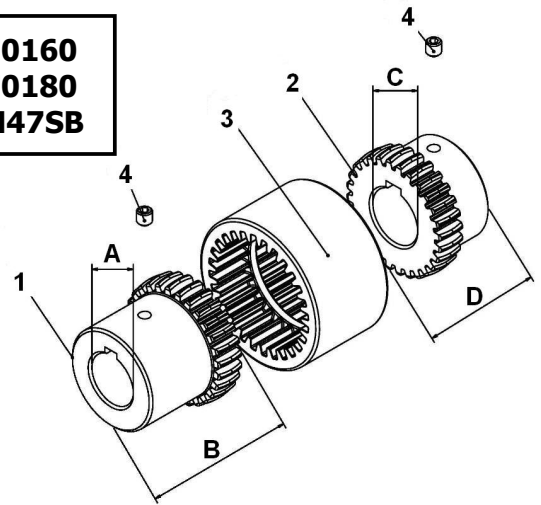
POS	COD.	DESCRIZIONE - DESCRIPTION KIT	NR
1	10.0289.51	Pomolo di regolazione	1
2	90.3574.00	OR Ø 6.07x1.78 (2025)	1
3	10.0531.02	Corpo completo	1
4	10.0292.98	Tubo Ø 7x10	1
5	92.8914.00	Filtro	1
6	10.0276.51	Contenitore detergente 500 c.c.	1

# GIUNTI ELASTICI - FLEXIBLE COUPLING

**ZG066 - ZG203  
ZG355 - ZG425**



**ZG70160  
ZG70180  
ZGH47SB**

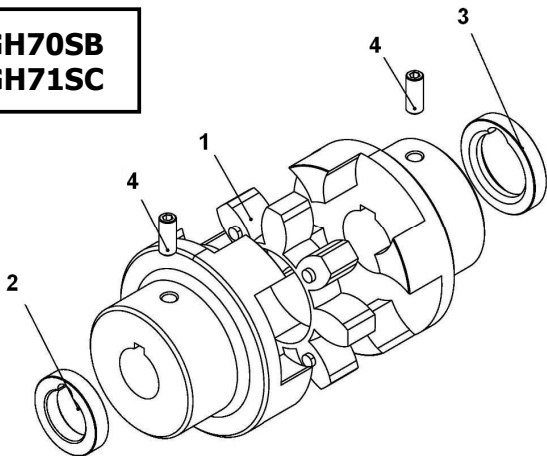


POS	COD.	DESCRIZIONE - DESCRIPTION	NR
1	10.0020.47	Gommino per giunto	8÷12
2	99.3017.00	Vite M8x10 UNI 5929	2

MODEL	ØA	B	ØC	D
ZG70160	30	80	42	110
ZG70180	30	80	48	110
ZGH47SB	24	30	22.22	45

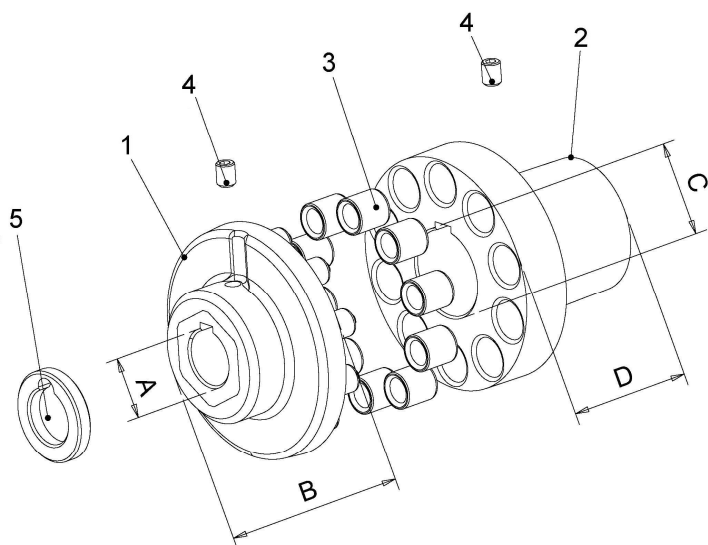
POS	COD.	DESCRIZIONE - DESCRIPTION	NR
1	10.0759.54	Semigiunto pompa	1
	10.0681.64	Semigiunto pompa - ZGH47SB	1
2	10.0760.54	Semigiunto motore - ZG70160	1
	10.0761.54	Semigiunto motore - ZG70180	1
	10.0765.64	Semigiunto motore - ZGH47SB	1
3	10.0762.51	Manicotto dentato Ø 100	1
	10.0683.51	Manicotto dentato Ø 63 - ZGH47SB	1
4	99.3017.00	Vite M8x10 UNI 5929	2
	99.1790.00	Vite M6x6 UNI 5929 - ZGH47SB	2

**ZGH70SB  
ZGH71SC**



POS	COD.	DESCRIZIONE - DESCRIPTION	NR
1	10.0755.47	Elemento elastico Ø 46 - ZGH70SB	1
	10.0749.47	Elemento elastico Ø 55 - ZGH71SC	1
2	10.0745.70	Distanziale Ø 31.75x10.5 - ZGH71SC	1
3	10.0746.70	Distanziale Ø 40x10 - ZGH71SC	1
4	99.3660.00	Vite M10x25 UNI 5923	2

# GIUNTI ELASTICI - FLEXIBLE COUPLING



**ZG044 – ZG070 – ZG071 – ZG080  
ZG07151 – ZG08051 – ZG091 – ZG104  
ZG132 – ZG151 – ZG202 – ZGWW75  
ZGWW94 – ZG56C – ZG145TC  
ZG184TC - ZG213TC – ZGONDA18  
ZGONDA18P**

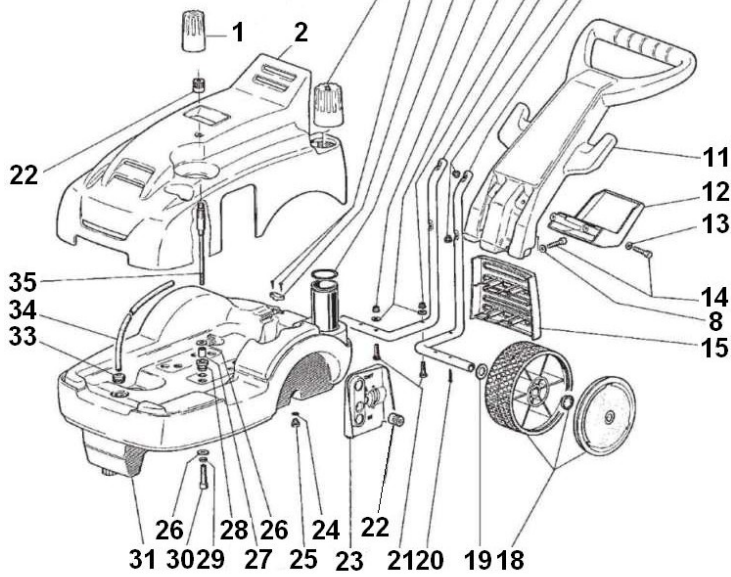
POS	COD.	DESCRIZIONE – DESCRIPTION	NR
1	10.0546.22	Semigiunto pompa – ZG044	1
	10.0091.22	Semigiunto pompa – ZG070-ZG091 ZG145TC-ZG151 ZG56C-ZG184TC	1
	10.0740.22	Semigiunto pompa – ZG071-ZG080	1
	10.0758.22	Semigiunto pompa – ZG07151-ZG08051	1
	10.0420.22	Semigiunto pompa – ZG104	1
	10.0210.02	Semigiunto pompa – ZG202-ZG213TC ZGONDA18P-ZG132	1
	10.0376.22	Semigiunto pompa – ZGWW75-ZGWW94 ZGONDA18	1
2	10.0093.22	Semigiunto motore – ZG044-ZG091 ZGWW94	1
	10.0094.22	Semigiunto motore – ZG070-ZGWW75	1
	10.0738.22	Semigiunto motore – ZG071-ZG07151	1
	10.0739.22	Semigiunto motore – ZG080-ZG08051	1
	10.0212.22	Semigiunto motore – ZG104-ZG202 ZG132	1
	10.0092.22	Semigiunto motore – ZG151	1
	10.0255.22	Semigiunto motore – ZG56C	1
	10.0199.22	Semigiunto motore – ZG145TC	1
	10.0313.22	Semigiunto motore – ZG184TC	1
	10.0314.22	Semigiunto motore – ZG213TC	1
10.0430.22	Semigiunto motore – ZGONDA18	1	
10.0463.22	Semigiunto motore – ZGONDA18P	1	
3	10.0090.47	Boccola per giunti	*
4	99.3017.00	Vite M8x10 UNI 5929	2÷3
5	10.0680.70	Distanziale – ZG132	1

MODEL	ØA	B	ØC	D	*
ZG071	24	40	14	40	4
ZG07151	24	46	14	40	4
ZG56C	24	30	15.9	53	6
ZG080	24	40	19	40	4
ZG08051	24	46	19	40	4
ZG145TC	24	30	22.25	61	6
ZG070	24	30	24	61	6
ZGWW75	24	36	24	61	6
ZGONDA18	24	36	25.4	61	6
ZGONDA18P	24	32	25.4	81	10
ZG091	24	30	28	61	6
ZG151	24	30	28	74	6
ZGWW94	24	36	28	61	6
ZG044	24	40	28	61	6
ZG184TC	24	30	28.6	61	6
ZG213TC	24	32	35	81	10
ZG202	24	32	38	81	10
ZG132	24	32	38	81	10
ZG104	35	50	38	81	10

# CARRELLO – TROLLEY T-TX

DIS. COD. 23.9506.00

3 4 5 6 7 8 7 9 7 10

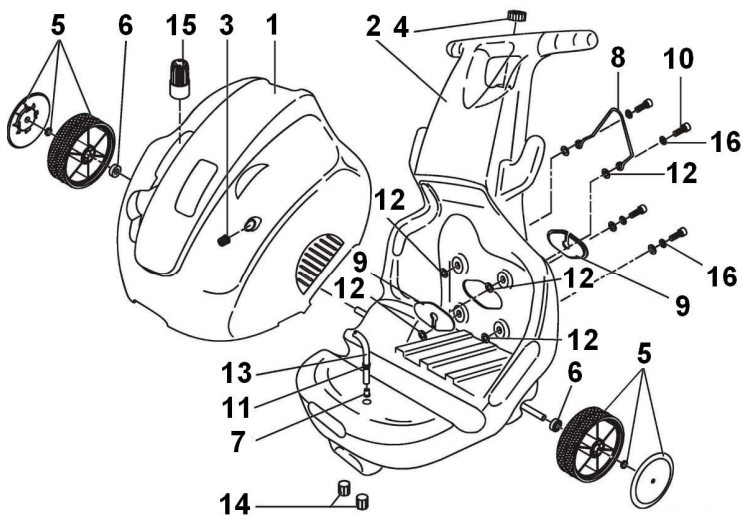


26 28 26 24 22  
31 3029 27 25 23 2120 1918

POS	COD.	DESCRIZIONE – DESCRIPTION KIT	NR
1	36.3222.51 36.3221.51	Pomolo – Serie T Pomolo – Serie TX	1 1
2	23.0084.51 23.0083.51	Carenatura – Serie T Carenatura – Serie TX	1 1
3	23.0087.51	Tappo	1
4	99.1312.00	Vite Ø 4.2x18 UNI 7049	2
5	23.0095.51	Fermacavo	1
6	90.3889.00	OR Ø 48.89x2.62 (3193)	1

POS	COD.	DESCRIZIONE – DESCRIPTION KIT	NR
7	92.2040.00	Dado M6	8
8	96.6962.00	Rosetta Ø 6.6x18	6
9	23.0089.88	Tubo destro	1
10	23.0088.88	Tubo sinistro	1
11	23.0093.51	Manubrio	1
12	23.0102.51	Gancio	1
13	96.6925.00	Rosetta Ø 6.2x10	2
14	99.1943.00	Vite M6x40 UNI 5931	4
15	23.0086.51	Griglia	1
18	96.9327.00	Ruota Ø 200	2
19	96.7521.00	Rosetta Ø 21x37x3	2
20	91.7129.00	Copiglia Ø 3x30 UNI 1336	2
21	99.1929.00	Vite M6x40 UNI 5731	4
22	52.2122.51	Pomolo	2
23	23.0091.51 23.0090.51	Mascherina – Serie T Mascherina – Serie TX	1 1
24	90.3818.00	OR Ø 7.59x2.62 (3030)	1
25	98.2041.00	Tappo G 1/4"x9	1
26	96.7072.00	Rosetta Ø 9x24x2	8
27	23.0099.70	Distanziale	4
28	23.0098.47	Supporto elastico	4
29	96.7016.00	Rosetta Ø 8.4 UNI 1751	4
30	99.3099.00 99.3129.00	Vite M8x35 UNI 5931 – Serie T Vite M8x45 UNI 5931 – Serie TX	4 4
31	23.0092.02	Serbatoio	1
33	23.0101.47	Passatubo	1
34	10.0529.98	Tubo detergente L=380	1
35	23.0127.02	Colonna fissaggio carenatura	1

# CARRELLO - TROLLEY IPX



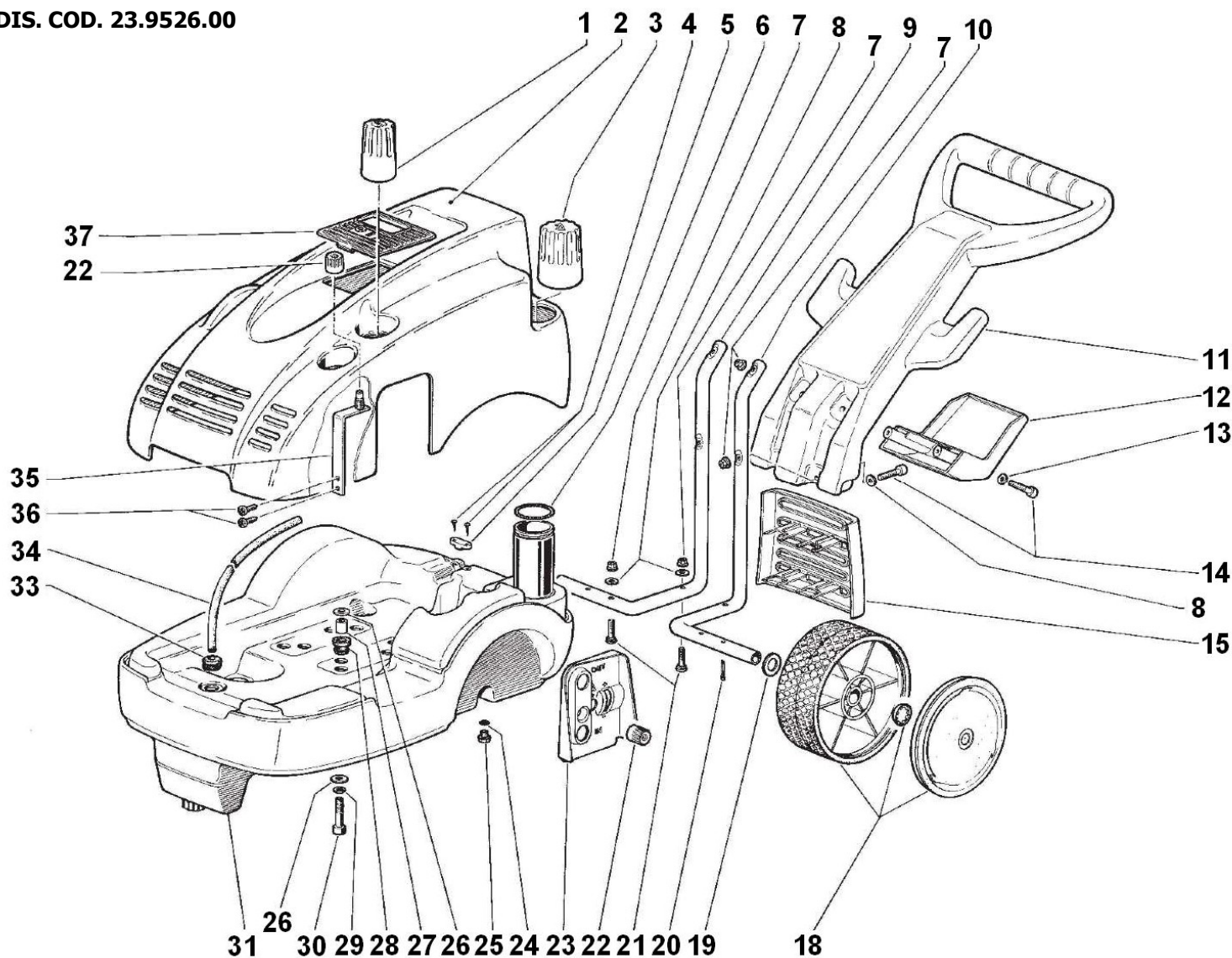
DIS. COD. 23.9522.00

POS	COD.	DESCRIZIONE – DESCRIPTION KIT	NR
1	23.0149.51	Carenatura – Serie IPX	1
2	23.0148.02	Serbatoio completo+assale	1
3	52.2122.51	Pomolo fissaggio protezione anter.	1
4	23.0135.51	Tappo serbatoio – Rosso	1
5	96.9390.00	Assieme ruota IP-IPX - Rosso	2
6	23.0139.51	Distanziale	2
7	92.8914.00	Filtro per Faomkit	1
8	23.0146.66	Gancio supporto cavo	1
9	23.0142.51	Flangia per pressacavo	2
10	99.3099.00	Vite M8x35 UNI 5931	4
11	23.0101.47	Passatubo	1
12	96.7072.00	Rosetta Ø 9x24 UNI 6593	8
13	10.0592.98	Tubo detergente L=425	1
14	23.0136.82	Puntale per foro Ø 22	2
15	36.3221.51	Pomolo valvola TX	1
16	96.7016.00	Rosetta Ø 8.4 UNI 1751	4



# CARRELLO – TROLLEY TSX

DIS. COD. 23.9526.00

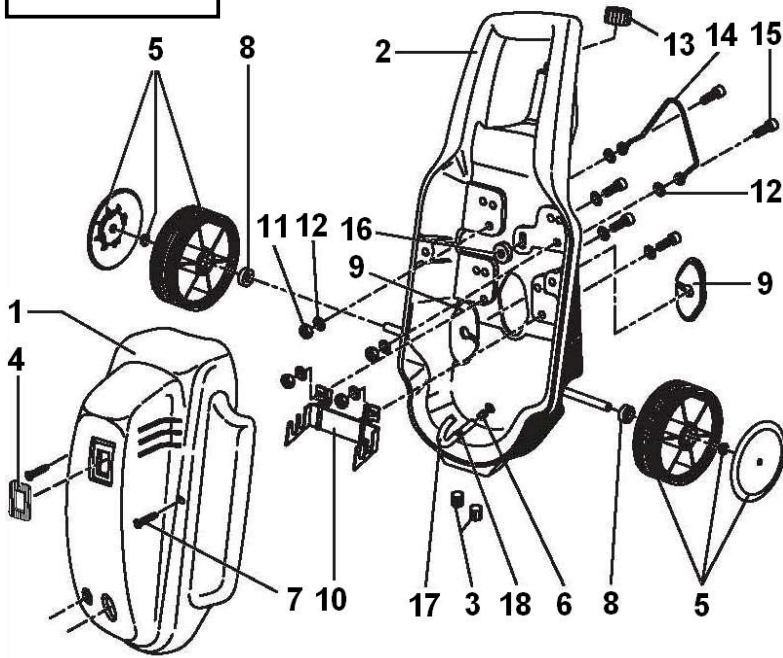


POS	COD.	DESCRIZIONE – DESCRIPTION KIT	NR
1	36.3221.51	Pomolo – Serie TSX	1
2	23.0178.51	Carenatura – Serie TSX	1
3	23.0087.51	Tappo	1
4	99.1312.00	Vite Ø 4.2x19 UNI 7049	2
5	23.0095.51	Fermacavo	1
6	90.3889.00	OR Ø 48.89x2.62 (3193)	1
7	92.2040.00	Dado M6	8
8	96.6962.00	Rosetta Ø 6.6x18	6
9	23.0089.88	Tubo destro	1
10	23.0088.88	Tubo sinistro	1
11	23.0093.51	Manubrio	1
12	23.0102.51	Gancio	1
13	96.6925.00	Rosetta Ø 6.2x10	2
14	99.1943.00	Vite M6x40 UNI 5931	4
15	23.0086.51	Griglia	1
18	96.9327.00	Ruota Ø 200	2
19	96.7521.00	Rosetta Ø 21x37x3	2

POS	COD.	DESCRIZIONE – DESCRIPTION KIT	NR
20	91.7129.00	Copiglia Ø 3x30 UNI 1336	2
21	99.1929.00	Vite M6x40 UNI 5731	4
22	52.2122.51	Pomolo	2
23	23.0090.51	Mascherina – Serie TSX	1
24	90.3818.00	OR Ø 7.59x2.62 (3030)	1
25	98.2041.00	Tappo G 1/4"x9	1
26	96.7072.00	Rosetta Ø 9x24x2	8
27	23.0099.70	Distanziale	4
28	23.0098.47	Supporto elastico	4
29	96.7016.00	Rosetta Ø 8.4 UNI 1751	4
30	99.3129.00	Vite M8x45 UNI 5931	4
31	23.0092.02	Serbatoio	1
33	23.0101.47	Passatubo	1
34	10.0529.98	Tubo	1
35	23.0192.02	Colonna	1
36	99.1474.00	Vite Ø 4.8x13 UNI 7049	2
37	23.0183.51	Mascherina interruttore TSX	1

# CARRELLO – TROLLEY IP

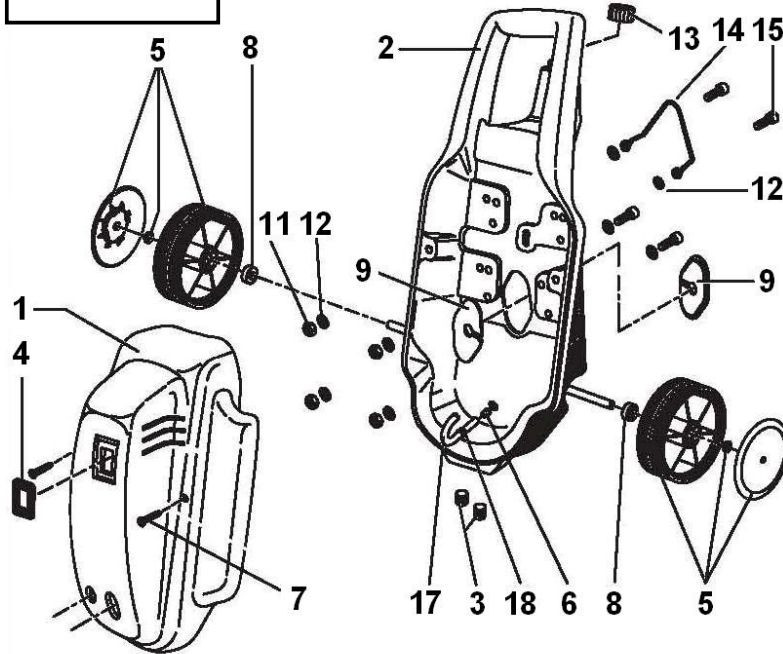
## IP130 IP140



DIS. COD. 23.9510.00

POS	COD.	DESCRIZIONE – DESCRIPTION KIT	NR
1	23.0132.51	Carenatura – Serie IP130 IP140	1
2	23.0147.02	Serbatoio completo+assale	1
3	23.0136.82	Puntale per foro Ø 22	2
4	23.0133.51	Mascherina interruttore	1
5	96.9390.00	Assieme ruota – Serie IP-IPX	2
6	92.8914.00	Filtro per Faomkit	1
7	99.1704.00	Vite M5x60 UNI 7687	2
8	23.0139.51	Distanziale	2
9	23.0142.51	Flangia per pressacavo	2
10	23.0143.74	Staffa supporto motore	1
11	92.2218.00	Dado M8x5x13 UNI 5589	4
12	96.7072.00	Rosetta piana Ø 9x24	9
13	23.0135.51	Tappo serbatoio	1
14	23.0140.66	Gancio supporto	1
15	99.3099.00	Vite M8x35 UNI 5931	5
16	23.0144.47	Supporto elastico	1
17	10.0529.98	Tubo detergente L=380	1
18	23.0101.47	Passatubo	1

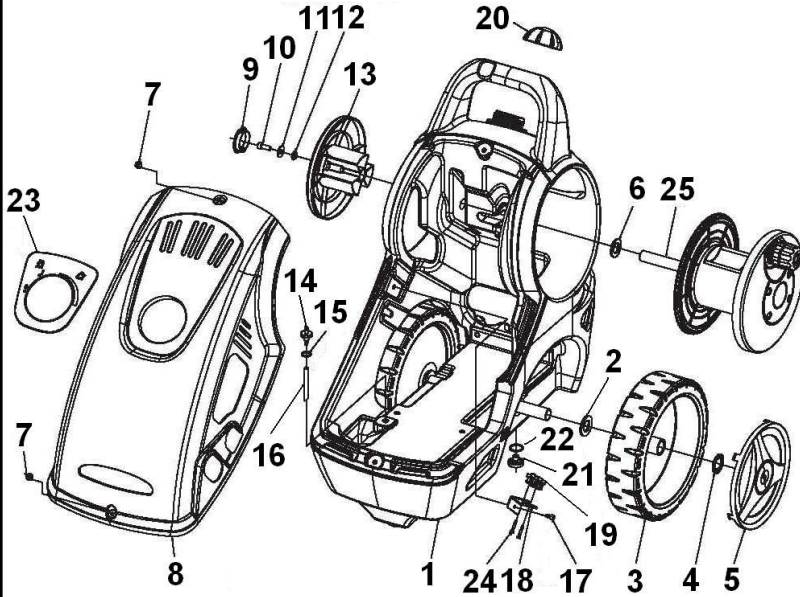
## IP150 IP170



DIS. COD. 23.9514.00

POS	COD.	DESCRIZIONE – DESCRIPTION KIT	NR
1	23.0132.51 23.0131.51	Carenatura – Serie IP150 Carenatura – Serie IP170	1
2	23.0147.02	Serbatoio completo+assale	1
3	23.0136.82	Puntale per foro Ø 22	2
4	23.0133.51	Mascherina interruttore	1
5	96.9390.00	Assieme ruota – Serie IP-IPX	2
6	92.8914.00	Filtro per Faomkit	1
7	99.1704.00	Vite M5x60 UNI 7687	2
8	23.0139.51	Distanziale	2
9	23.0142.51	Flangia per pressacavo	2
11	92.2218.00	Dado M8x5x13 UNI 5589	4
12	96.7072.00	Rosetta piana Ø 9x24	9
13	23.0135.51	Tappo serbatoio	1
14	23.0140.66	Gancio supporto	1
15	99.3099.00	Vite M8x35 UNI 5931	5
16	23.0144.47	Supporto elastico	1
17	10.0529.98	Tubo detergente L=380	1
18	23.0101.47	Passatubo	1

**DIS. COD. 23.9541.00**

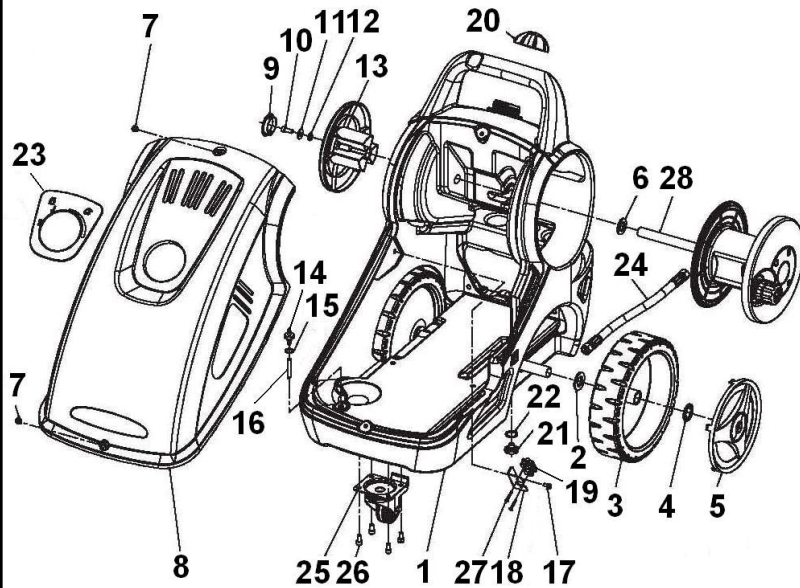


**CARRELLO – TROLLEY TX300**

POS	COD.	DESCRIZIONE – DESCRIPTION KIT	NR
1	23.0209.02	Serbatoio – Serie TX300	1
2	96.7600.00	Rosetta Ø 26x44x4 UNI 6593	2

POS	COD.	DESCRIZIONE – DESCRIPTION KIT	NR
3	96.9360.00	Ruota Ø 305x80x25	2
4	90.0636.00	Anello di fermo	2
5	23.0250.51	Borchia per ruota Ø 305	2
6	96.7580.00	Rosetta Ø 23x39x3 UNI 6592	1
7	99.1815.00	Vite M16x12	2
8	23.0240.51	Carenatura – Serie TX300	1
9	23.0203.51	Coperchio avvolgicavo	1
10	99.3059.00	Vite M8x20 UNI 5931	1
11	96.7072.00	Rosetta Ø 9x24 UNI 6593	1
12	45.2125.70	Piattello valvola	1
13	23.0202.51	Avvolgicavo	1
14	23.0205.70	Portagomma G 1/8" - Ø 3	1
15	90.3835.00	OR Ø 15.08x2.62 (119)	1
16	10.0689.98	Tubo detergente L=80	1
17	99.1835.00	Vite M6x12 UNI 5931	1
18	23.0207.74	Staffa supporto fermacavo	1
19	93.5230.00	Pressacavo Ø 6	1
20	23.0204.51	Tappo serbatoio	1
21	98.2020.00	Tappo M12x13	1
22	90.3855.00	OR Ø 23.47x2.62 (3093)	1
23	98.2916.00	Targhetta on-off	1
24	99.1332.00	Vite M4x25 UNI 7687	2
25	23.9536.01	Avvolgitubo	1

**DIS. COD. 23.9540.00**

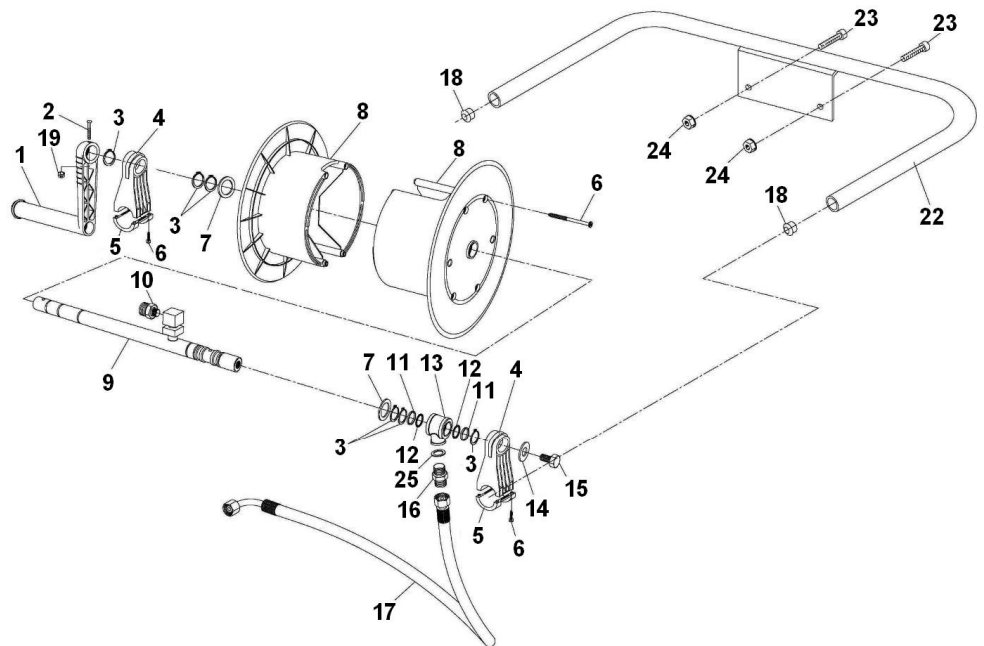


**CARRELLO – TROLLEY TX500**

POS	COD.	DESCRIZIONE – DESCRIPTION KIT	NR
1	23.0200.02	Serbatoio – Serie TX500	1
2	96.7600.00	Rosetta Ø 26x44x4 UNI 6593	2
3	96.9360.00	Ruota Ø 305x80x25	2
4	90.0636.00	Anello di fermo	2
5	23.0250.51	Borchia per ruota Ø 305	2
6	96.7580.00	Rosetta Ø 23x39x3 UNI 6592	1
7	99.1815.00	Vite M16x12	2
8	23.0230.51	Carenatura – Serie TX500	1
9	23.0203.51	Coperchio avvolgicavo	1
10	99.3059.00	Vite M8x20 UNI 5931	1
11	96.7072.00	Rosetta Ø 9x24 UNI 6593	1
12	45.2125.70	Piattello valvola	1
13	23.0202.51	Avvolgicavo	1
14	23.0205.70	Portagomma G 1/8" - Ø 3	1
15	90.3835.00	OR Ø 15.08x2.62 (119)	1
16	10.0688.98	Tubo detergente L=55	1
17	99.1835.00	Vite M6x12 UNI 5931	1
18	23.0207.74	Staffa supporto fermacavo	1
19	93.5230.00	Pressacavo Ø 6	1
20	23.0204.51	Tappo serbatoio	1
21	98.2020.00	Tappo M12x13	1
22	90.3855.00	OR Ø 23.47x2.62 (3093)	1
23	98.2916.00	Targhetta on-off	1
24	23.0223.01	Tubo 3/8" L=520	1
25	96.9400.00	Ruota pivot Ø 80	1
26	99.3039.00	Vite M8x16 UNI 5931	4
27	99.1332.00	Vite M4x25 UNI 7687	2
28	23.9535.01	Avvolgitubo	1

POS	COD.	DESCRIZIONE – DESCRIPTION KIT	NR
1	23.0200.02	Serbatoio – Serie TX500	1
2	96.7600.00	Rosetta Ø 26x44x4 UNI 6593	2
3	96.9360.00	Ruota Ø 305x80x25	2
4	90.0636.00	Anello di fermo	2
5	23.0250.51	Borchia per ruota Ø 305	2
6	96.7580.00	Rosetta Ø 23x39x3 UNI 6592	1
7	99.1815.00	Vite M16x12	2
8	23.0230.51	Carenatura – Serie TX500	1
9	23.0203.51	Coperchio avvolgicavo	1
10	99.3059.00	Vite M8x20 UNI 5931	1
11	96.7072.00	Rosetta Ø 9x24 UNI 6593	1
12	45.2125.70	Piattello valvola	1
13	23.0202.51	Avvolgicavo	1
14	23.0205.70	Portagomma G 1/8" - Ø 3	1
15	90.3835.00	OR Ø 15.08x2.62 (119)	1
16	10.0688.98	Tubo detergente L=55	1
17	99.1835.00	Vite M6x12 UNI 5931	1
18	23.0207.74	Staffa supporto fermacavo	1
19	93.5230.00	Pressacavo Ø 6	1
20	23.0204.51	Tappo serbatoio	1
21	98.2020.00	Tappo M12x13	1
22	90.3855.00	OR Ø 23.47x2.62 (3093)	1
23	98.2916.00	Targhetta on-off	1
24	23.0223.01	Tubo 3/8" L=520	1
25	96.9400.00	Ruota pivot Ø 80	1
26	99.3039.00	Vite M8x16 UNI 5931	4
27	99.1332.00	Vite M4x25 UNI 7687	2
28	23.9535.01	Avvolgitubo	1

# AVVOLGITUBO HOSE REEL T-TX IPX TSX

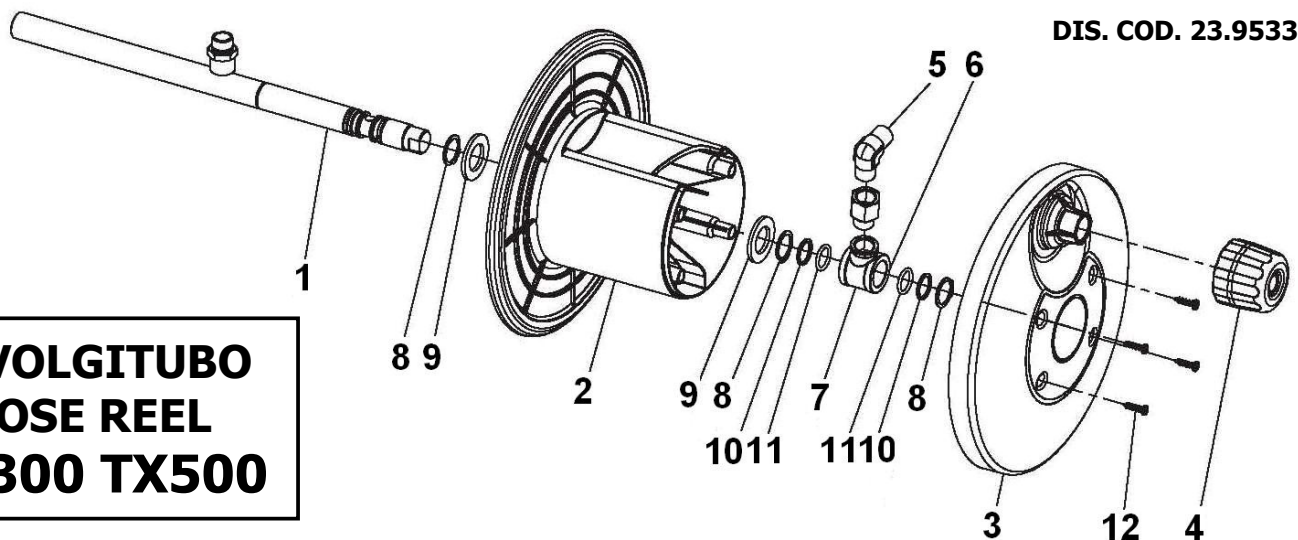


DIS. COD. 23.9530.00

POS	COD.	DESCRIZIONE - DESCRIPTION KIT	NR
1	23.5004.51	Manovella	1
2	99.1340.00	Vite M4x40 UNI 5933	1
3	90.0615.00	Anello seeger Ø 22 UNI 7435	6
4	23.5002.55	Supporto superiore	2
5	23.5003.55	Supporto inferiore	2
6	99.1580.00	Vite Ø 5x20	12
7	96.7580.00	Rosetta Ø 23x39x3	2
8	23.5001.51	Semirocchetto	2
9	23.5005.02	Asse	1
10	23.5009.70	Innesto maschio G 1/4"- M22x1.5	1
11	90.5108.00	Anello antiest. Ø 17.8x22x1.5	2
12	90.3841.00	OR Ø 17.13x2.62 (3068)	2

POS	COD.	DESCRIZIONE - DESCRIPTION KIT	NR
13	23.5023.41	Occhiello avvolgitubo Ø22-G3/8"F	1
14	96.7150.00	Rosetta Ø 11x30x2.5	1
15	99.3636.00	Vite M10x16 UNI 5739	1
16	95.2868.00	Nipplo doppio G 3/8"	1
17	98.4350.00	Tubo 3/8"x550 F-F G 3/8"xM22x1.5	1
18	98.2140.00	Tappo Ø 19	2
19	92.1935.00	Dado M4x7x6 UNI 7473	1
20	23.5006.02	Staffa supporto - IPX	1
21	99.3129.00	Vite M8x45 UNI 5931 - IPX	2
22	23.5007.02	Staffa supporto - T-TX-TSX	1
23	99.1990.00	Vite M6x60 UNI 5931 - T-TX-TSX	2
24	92.2040.00	Dado M6 - T-TX-TSX	2
25	96.7380.00	Rosetta Ø 17.5x23x1.5	1

# AVVOLGITUBO HOSE REEL TX300 TX500



DIS. COD. 23.9533.00

POS	COD.	DESCRIZIONE - DESCRIPTION KIT	NR
1	23.5011.01	Asse - Serie TX300	1
	23.5021.01	Asse - Serie TX500	1
2	23.5015.51	Tamburo	1
3	23.5016.51	Coperchio	1
4	23.5017.51	Manopola	1
5	96.4150.00	Raccordo 90° M-M G 3/8" - G 3/8"	1
6	94.5150.00	Manicotto M-F G 3/8" - G 3/8"	1

POS	COD.	DESCRIZIONE - DESCRIPTION KIT	NR
7	23.5023.41	Occhiello Ø 22 - G 3/8"	1
8	90.0615.00	Anello seeger Ø 22 UNI 7435	3
9	96.7580.00	Rosetta Ø 23x39 UNI 6592	2
10	90.5108.00	Anello antiest. Ø 17.8x22x1.5	2
11	90.3841.00	OR Ø 17.13x2.62 (3068)	2
12	99.1580.00	Vite Ø 5x20 UNI 9707	4





**INTERPUMP GROUP S.p.A.**

Via E.Fermi, 25 - 42049 San'Ilario d'Enza (RE) Italy

Tel. +39 - 0522 904311 Fax +39 - 0522 904444

E-mail: [info@interpumpgroup.it](mailto:info@interpumpgroup.it) - [http:// www.interpumpgroup.it](http://www.interpumpgroup.it)

Part. IVA IT01682900350

Reg. Impr. RE - Cod. Fisc. 11666900151 - CC.I.A.A. R.E.A. n° 204185 - Reg. A.E.E.: IT0802000000 780