

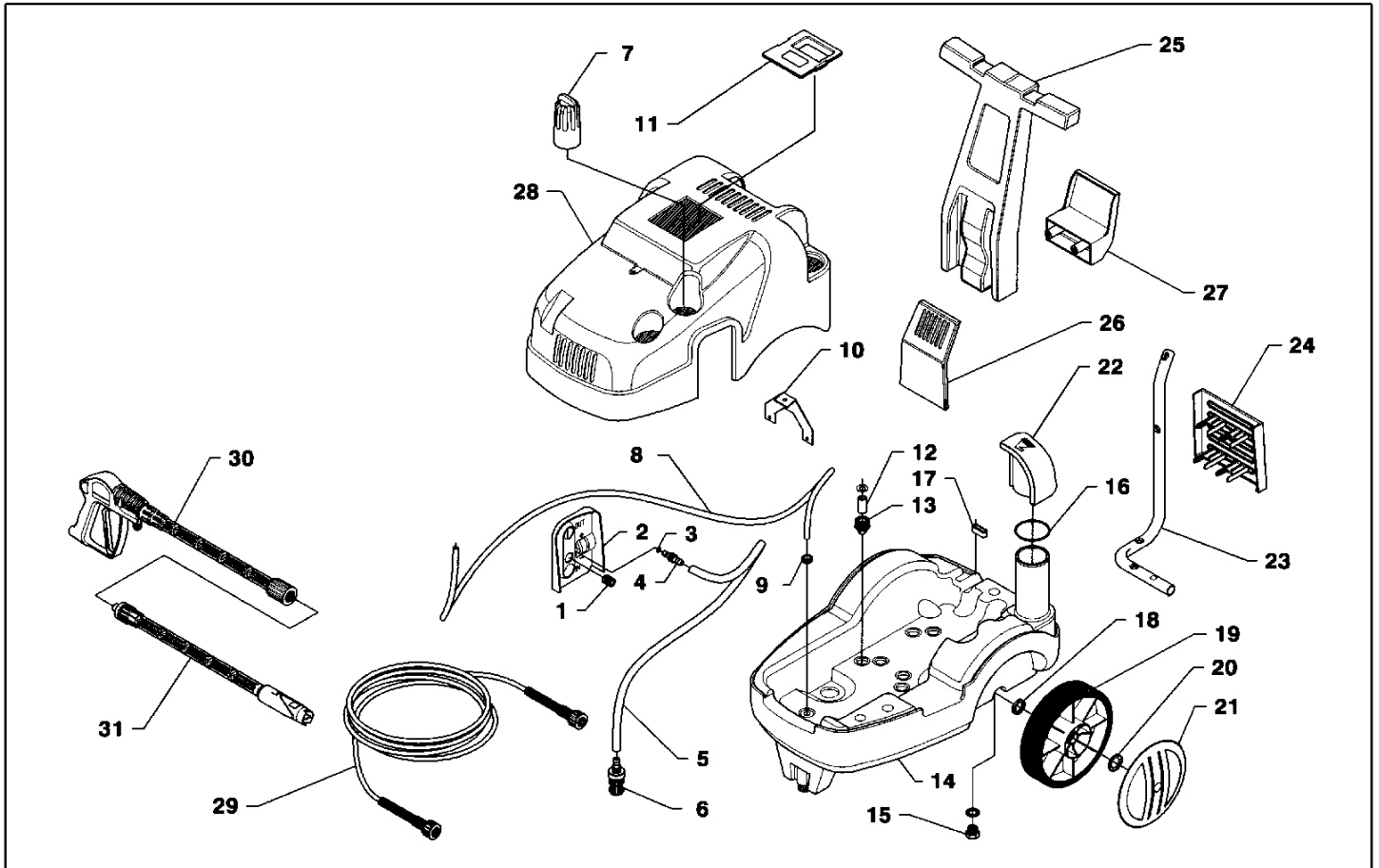


**IPC**

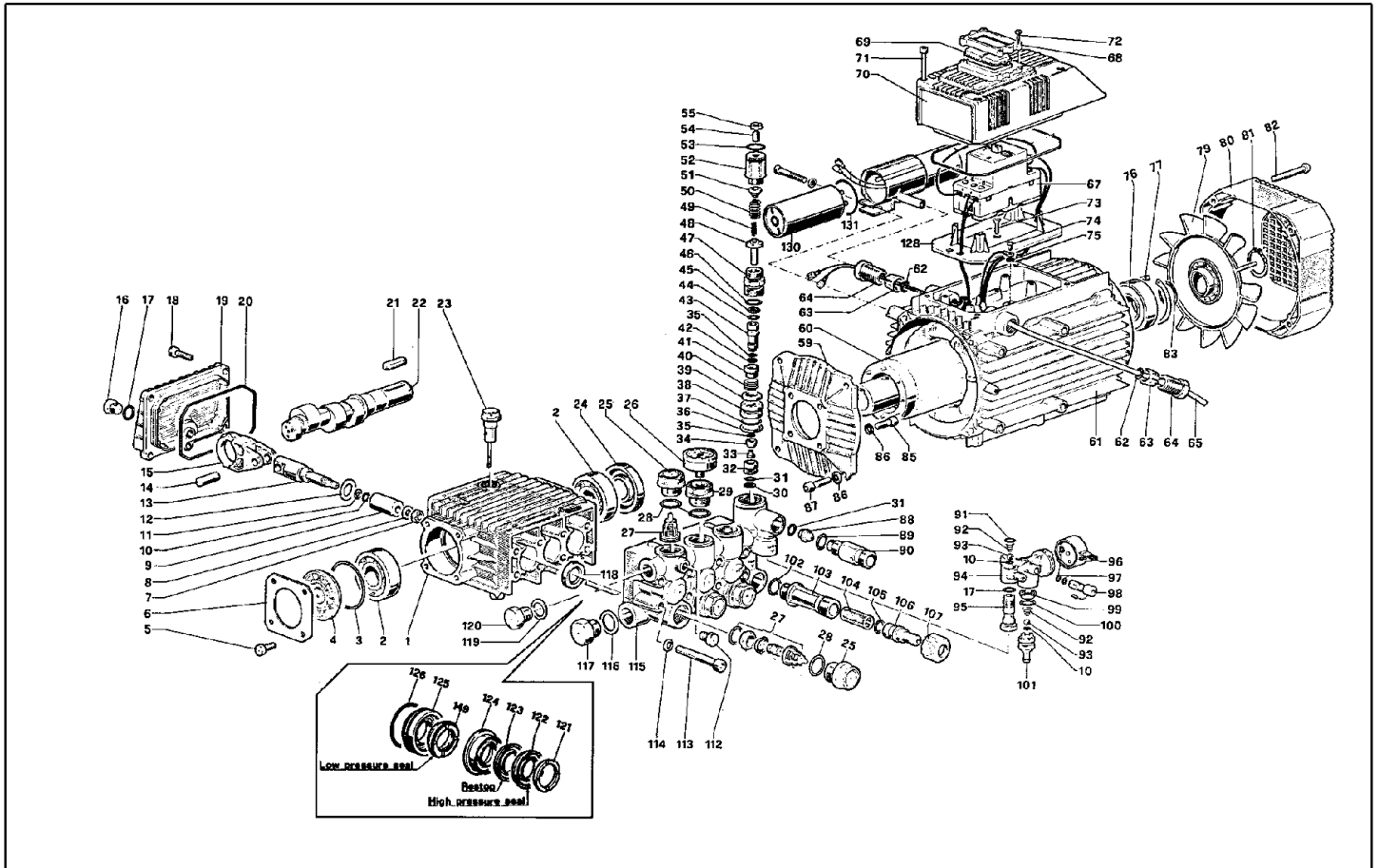
**Spare parts list**

Ref: IDAF30633

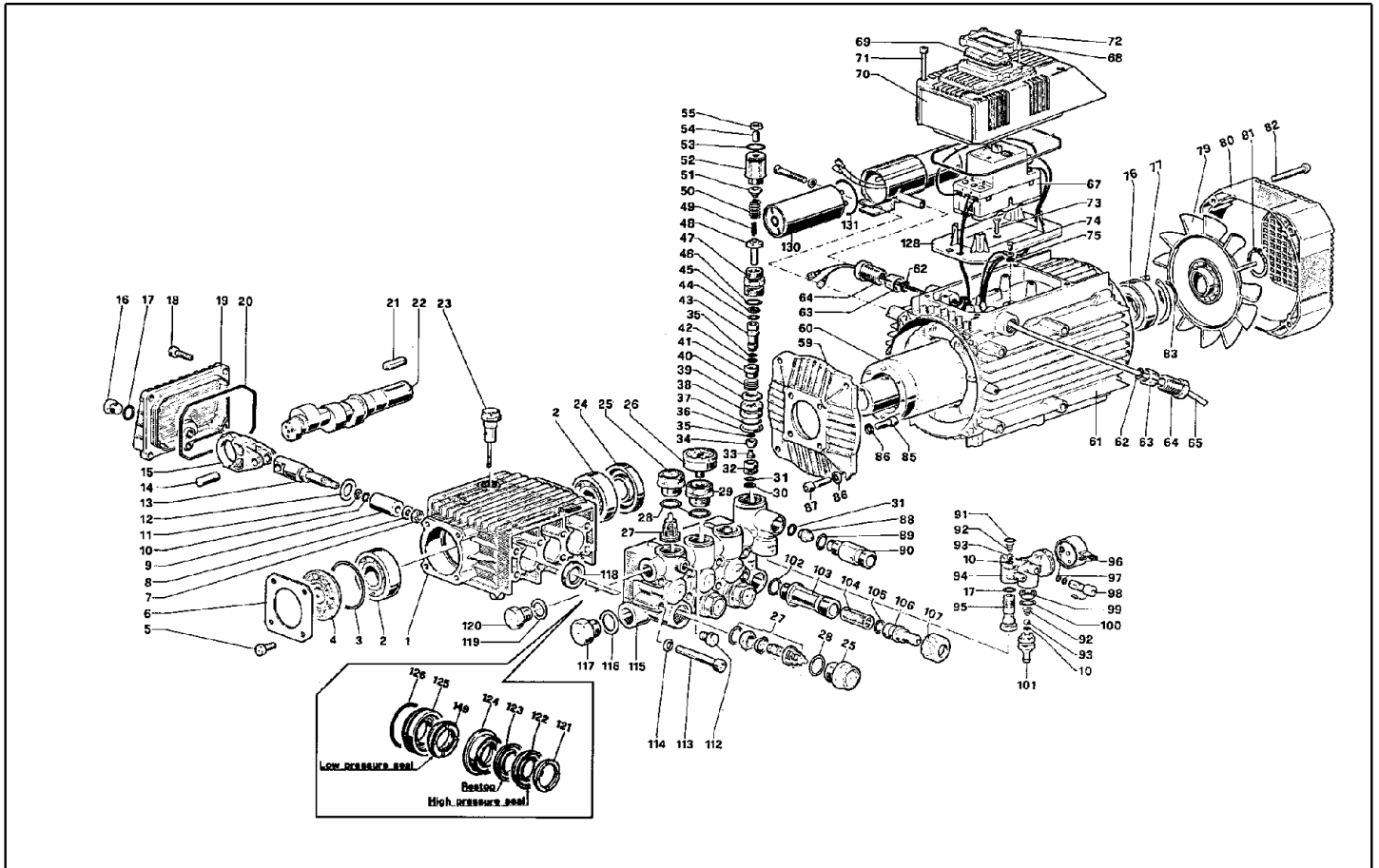
Model: H.P. CLEANER ELITE 1910M 230/50 PRT



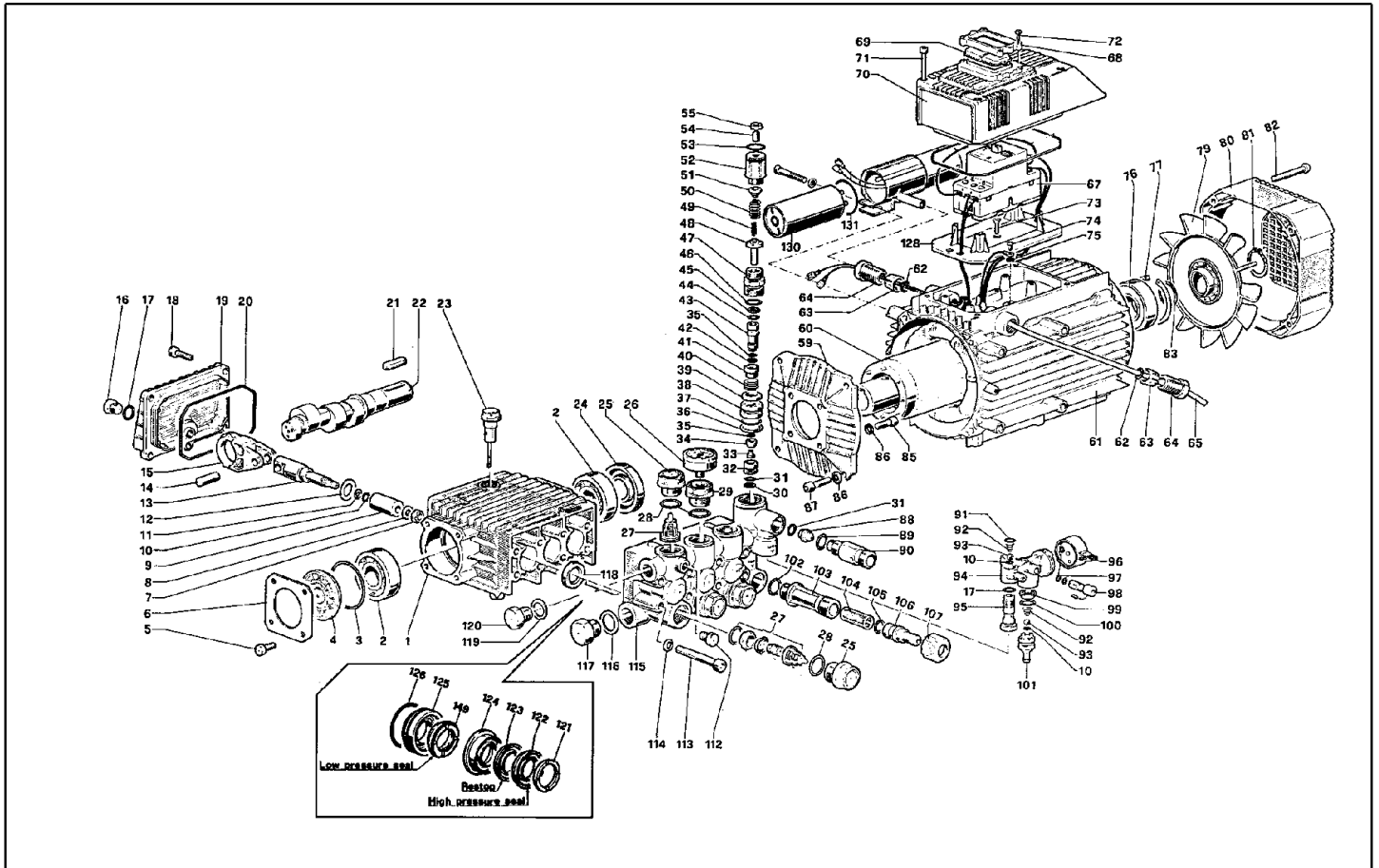
Ref. K	Part n.	Part n. 2	Description	Quantity	Validity		Price
					From	To	
0001	MPVR28562		KNOB ELT	1,00	01/10/2008		--
0002	MPVR28563		SIDE CTRL COVER ELT	1,00	01/10/2008		--
0003	GUGO08071		O-RING D. 4.48 X 1.78 NBR 70SH	2,00			--
0004	RCDS14415		HOSE FITTING A.F.	1,00			--
0005	TBBP04917		L.P. HOSE D. 6- 9	1,20			--
0006	FTDT04648		FILTER PG. D.6 PLS	1,00			--
0007	PVVR28552		KNOB TX	1,00	01/10/2008		--
0008	TBBP04917		L.P. HOSE D. 6- 9	1,00			--
0009	MPVR28570		GROMMET D.10	1,00	01/10/2008		--
0010	LAFN42778		BRACKET ELT II	1,00	01/10/2008		--
0011	MPVR42859		CONTROL COVER ELT PP BLK	1,00	01/10/2008		--
0012	LAFN28565		SPACER ELT	4,00			--
0013	MPVR28566		SUPPORT ELT	4,00	01/10/2008		--
0014	MPVR28568		CHASSIS ELITE	1,00	01/10/2008		--
0015	RCDS01088		CAP 1/4X 9 M WW90	1,00	01/10/2008		--
0016	GUGO09674		O-RING D. 48.90 X 2.62 NBR 70SH	1,00	01/10/2008		--
0017	MPVR28554		CABLE FASTNER ELT	1,00	01/10/2008		--
0018	VTRS28560		WASHER D.21 X37 X3	1,00			--
0019	RTRT28559		WHEEL D.200-D.20 RT/PRT	2,00	27/03/2006		--
0019	RTRT40017		WHEEL D.200-D.20 RT-SPI.200	2,00	01/05/2011		--
0020	VTRS28558		WASHER D.20	2,00	01/10/2008		--
0021	MPVR28450		RED HUB CAP D. 200 RT/PRT	2,00	01/10/2008		--
0022	MPVR27837		RED CAP ELT	1,00	01/10/2008		--
0023	LAFN28555		AXLE SUPPORT ELT	1,00	01/10/2008		--
0023	LAFN28556		AXLE SUPPORT ELT	1,00	01/10/2008		--
0024	MPVR28557		COOLING GRILL ELT	1,00	01/10/2008		--
0025	MPVR27278		HANDLE ELITE	1,00	01/10/2008		--
0026	MPVR27836		GRID ELT	1,00	27/03/2006		--
0027	LAFN20105		HOSE SUPPORT KSM	1,00	27/03/2006		--
0028	MPVR27839		RED COVER ELITE	1,00	01/10/2008		--
0029	TBAP28590		H.P. HOSE R1 MT 8 5/16" F/F M22	1,00			--
0029	TBAP28590		H.P. HOSE R1 MT 8 5/16" F/F M22	1,00	27/03/2006	14/03/2007	--
0029	TBAP25324		H.P. HOSE R1 MT 10 5/16" C/2 IRV ZC	1,00	15/03/2007		--
0030	IPPR28589		GRIP P 3 - P 350 - M22 M	1,00			--
0030	IPPR89429		GRIP G 4500 - P.330 -M22SW.M V	1,00	15/03/2007	15/04/2014	--
0030	IPPR40010		GRIP G 5100+P.330 +M22 SW.M V	1,00	16/04/2014	29/02/2016	--
0030	IPPR40020		GRIP G 6000+P.330 +M22 SW.M V	1,00	01/03/2016	14/06/2018	--
0030	IPPR40025		GRIP G 6000+P.330 +M22 SW.M 2V	1,00	15/06/2018		--
0031	LCPR30859		EXTENSION P 350 - M.TIREG 130 AR	1,00			--
0031	LCLC89810		LANCE IP P3-P 350 +350 MG.130OR	1,00	27/03/2006	14/03/2007	--
0031	LCPR43867		EXTENSION P 470 - I.JET D.1.05 GL	1,00	15/03/2007		--



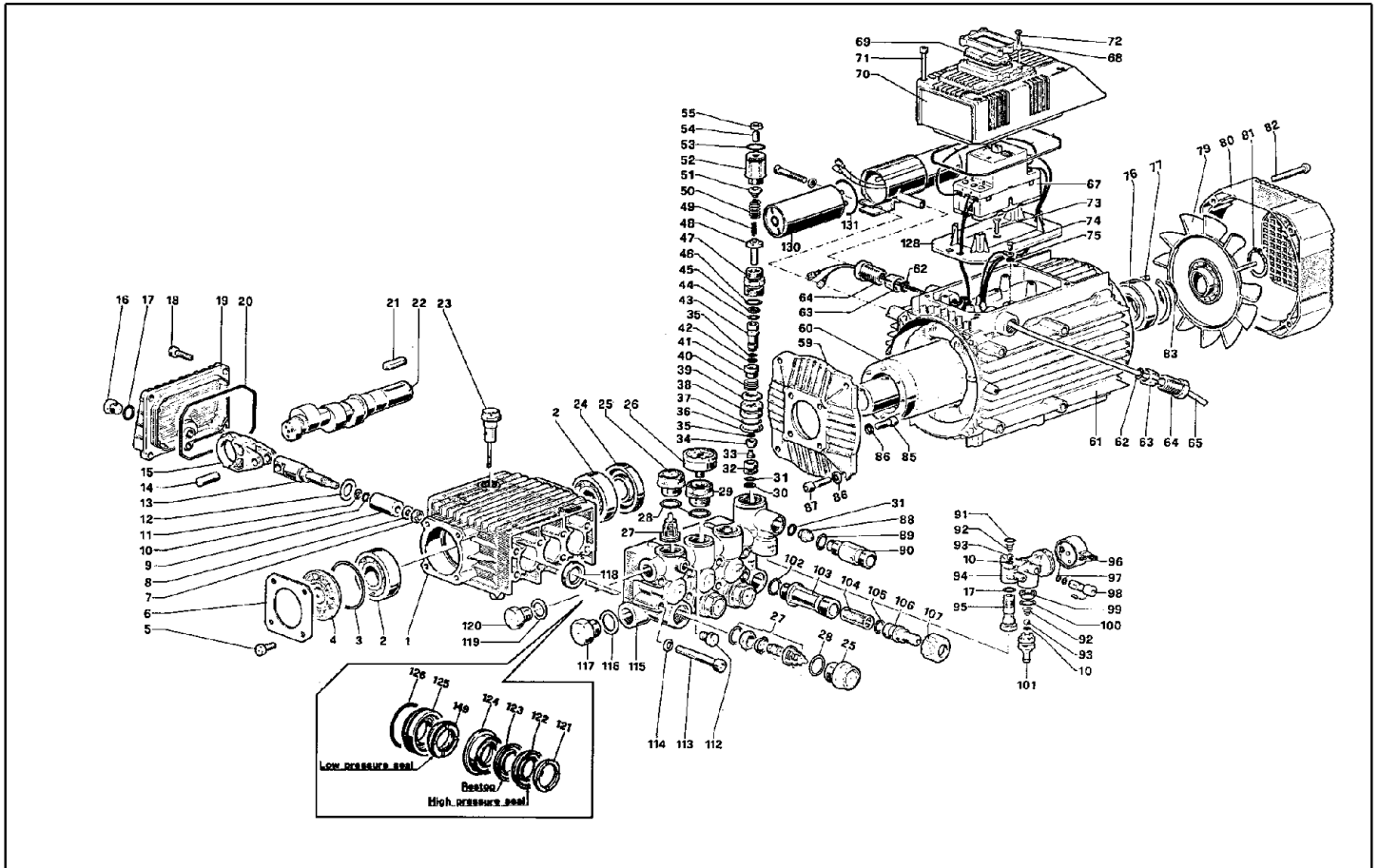
Ref. K	Part n.	Part n. 2	Description	Quantity	Validity		Price
					From	To	
0001	MFVR28453		PUMP CRANKCASE "44"	1,00			--
0002	CUVR09654		BALL BEARING 6305	2,00			--
0003	GUGO01040		O-RING D. 55.56 X 3.53 NBR 70SH	1,00			--
0004	MFVR28454		SPACER "44"	1,00			--
0005	VTVT01109		SCREW TE M 6X 10 ZC. UNI 5739	4,00			--
0006	MFVR03562		CRANKCASE COVER W 70	1,00			--
0007	VTDD04284		NUT M8X1,25 X13X5 S2 INX	3,00			--
0008	VTRS09321		WASHER D. 8X13X1	3,00			--
0009	PIVR09319		PISTON D.15 TURBO 14.160	3,00			--
0010	S GUGO01055		O-RING D. 5.28 X 1.78 VIT 70SH	5,00			--
0011	GUVR10257		ANTI-EXTR.RING WW161	3,00			--
0012	VTRS28456		WASHER D.16 X28 X1 PVC	3,00			--
0013	PVVR28457		PISTON GUIDE "44"	3,00			--
0014	PVVR28458		GUIDGEON D.10X29,5 "44"	3,00			--
0015	BLVR28459		CONNECTING ROD "44"	3,00			--
0016	RCDS01088		CAP 1/4X 9 M WW90	1,00			--
0017	S GUGO01036		O-RING D. 10.82 X 1.78 NBR 70SH	2,00			--
0018	VTVT01114		SCREW TCEI 6X14 UNI 5931	5,00			--
0019	MFVR28460		CRANKCASE COVER "44"	1,00			--
0020	GUGO18695		O-RING D. 101.27 X 2.62 NBR 70SH	1,00	01/10/2008		--
0021	VTVR28461		KEY "44"	1,00			--
0022	ALMO28464		SHAFT "44" WW 136	1,00			--
0023	PVVR01089		OIL DIPSTICK W 70	1,00			--
0024	GUGO28465		OIL SEAL 25X 62X10 NBR70	1,00			--
0025	S RCDS28466		CAP M24X1.5X17 "44"	6,00			--
0026	MNMN18650		PRESSURE GAUGE 0-300 D.40	1,00			--
0027	S VVAM28467		VALVE UNIT "44" WW136-186	6,00			--
0028	S GUGO19395		O-RING D. 20.24 X 2.62 NBR 70SH	6,00			--
0029	RCDS28468		CAP M24X1.5X17 "44" F.1/8	1,00			--
0030	S GUVR11651		ANTI-EXTR.RING D. 10.6X15X2	1,00			--
0031	S GUGO03501		O-RING D. 9.92 X 2.62 VIT 70SH	2,00			--
0032	S PVVR12887		VALVE SEAT CONTROL SET W1	1,00			--
0033	S VTVT18667		SCREW M 5X0,8X7,5	1,00			--
0034	S PVVR18668		VALVE CLT	1,00			--
0035	S GUGO03497		O-RING D. 6.75 X 1.78 VIT 80SH	2,00			--
0036	S GUVR28469		ANTI-EXTR.RING D.22 X25X1,5	1,00			--
0037	S GUGO08182		O-RING D. 21.91 X 1.78 NBR 70SH	1,00			--
0038	S PVVR28470		VALVE GUIDE "44"	1,00			--
0039	S PVVR28471		VALVE "44"	1,00			--
0040	S MLML28472		SPRING D. 18.5 X11 "44"	1,00			--
0041	S PVVR28473		SPACER "44"	1,00			--
0042	S GUVR04309		ANTI-EXTR.RING HM	1,00			--
0043	S PVVR28474		CONTROL PISTON "44"	1,00			--
0044	S GUGO01946		O-RING D. 9.13 X 2.62 VIT 70SH	1,00			--



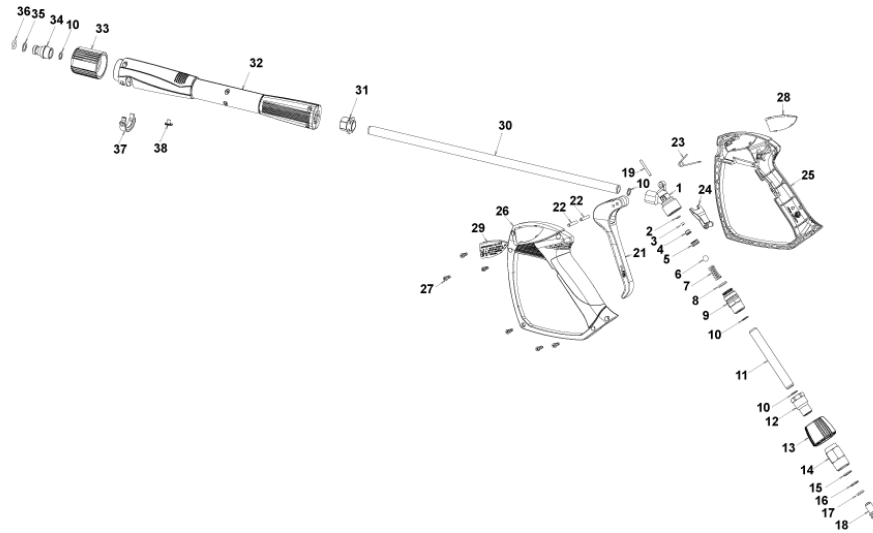
Ref. K	Part n.	Part n. 2	Description	Quantity	Validity		Price
					From	To	
0045	S	GUVR01940	ANTI-EXTR.RING D. 9,5X14X1,5	1,00			--
0046	S	GUGO01037	O-RING D. 23.81 X 2.62 NBR 70SH	1,00			--
0047	S	PVVR28475	BUSHING "44"	1,00			--
0048	S	PVVR28476	SPRING PLATE "44" INF.	1,00			--
0049	S	MLML28477	SPRING D. 7.6 X29 "44"	1,00			--
0050	S	MLML11655	SPRING D.15X35	1,00			--
0051	S	PVVR11656	SPRING PLATE W1	1,00			--
0052	S	PVVR18672	REGISTER COLT	1,00			--
0053	S	GUGO01057	O-RING D. 20.35 X 1.78 NBR 70SH	1,00			--
0054	S	VTVT20196	SCREW EI-ST 8X20 UNI5923	1,00			--
0055	S	VTDD09708	NUT M 8 UNI 5589	1,00			--
0056		RCDS21788	RING NUT M 28 X 1.5 L=16	1,00			--
0057		VTDD21787	NUT M28X1,5 L=5	2,00			--
0059		MFVR28478	FLANGE MOTOR 4P H100 ELT	1,00			--
0060		MORT28547	EL.MOT. ROTOR 3 HP M 4P 5/60HZ	1,00			--
0061		MOST28548	EL.MOT. STATOR ELT 3 HP 220V 50HZ 4P	1,00			--
0062		GUGO12612	O-RING D. 9.12 X 3.53 NBR 70SH	2,00		26/04/2006	--
0062		GUGO03510	O-RING D. 12.37 X 2.62 NBR 70SH	2,00	27/04/2006		--
0063		AZMC28485	PLIERS ELT	1,00	01/10/2008		--
0064		MEVR28486	CABLE CLAMP ELITE	1,00	01/10/2008		--
0065		MECB40085	CABLE H07 RNF 3X2.5 L=5.500	1,00	01/10/2008		--
0067		MECI00265	SWITCH ISK MST 25 16-20 A	1,00	27/03/2006	14/12/2006	--
0067		MECI71654	SWITCH WMX MS 25 16-20 A	1,00	01/10/2008		--
0068		MPVR33030	CONTROL COVER ELT	1,00	01/10/2008		--
0069		MEVR33031	MAMBRANE ELT	1,00	01/10/2008		--
0070		MPVR33029	BASE COVER ELT II	1,00	01/10/2008		--
0071		VTVT22102	SCREW TCEI 5X70 UNI5931	4,00	01/10/2008		--
0072		VTVT00522	SCREW TCB-TC 2.9X 9.5 UNI6954	2,00			--
0073		VTVT01510	SCREW TCB-TC 4.2X16 UNI6954	2,00	27/03/2006		--
0074		VTVT11703	SCREW TCB-TC 5X12	1,00			--
0075		VTRS03590	WASHER D. 5.3X9X0.6	1,00			--
0076		CUVR14786	BALL BEARING 6206 2Z	1,00			--
0077		VTAE10405	CIRCLIP D. 62 UNI 7437	1,00			--
0079		VEVR28491	IMPELLER ELT	1,00			--
0080		MPVR28492	FAN COVER ELT	1,00			--
0081		VTAE28493	CIRCLIP D. 28 UNI 7435	1,00			--
0082		VTVT09668	SCREW TCB-TC 5X45 UNI7687	4,00			--
0083		GUGO01941	O-RING D. 28.25 X 2.62 NBR 70SH	1,00			--
0085		VTVT01115	SCREW TCEI 6X18	4,00			--
0086		VTRS01077	WASHER D. 6.4X10X0.7	8,00			--
0087		VTVT12255	SCREW TCEI 6X25 UNI5931	4,00			--
0088		UGEI01930	NOZZLE D. 2.2	1,00			--
0089		GUGO03507	O-RING D. 13.95 X 2.62 VIT 70SH	1,00			--
0090		RCDS08839	NIPPLE VEDI 9721	1,00			--



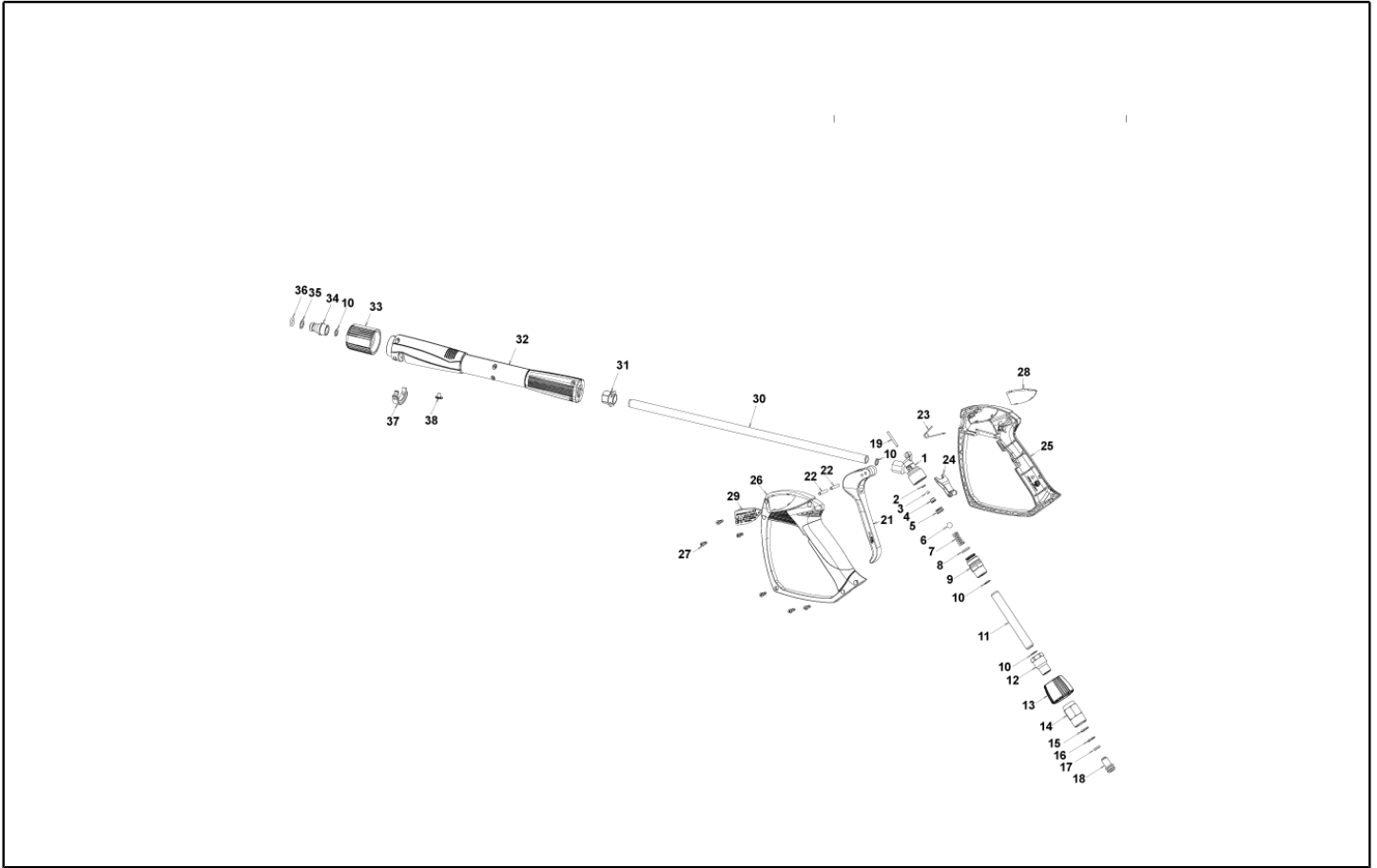
Ref. K	Part n.	Part n. 2	Description	Quantity	Validity		Price
					From	To	
0091	S	GUGO03496	O-RING D. 9.25 X 1.78 NBR 70SH	1,00			--
0092	S	MLML04264	SPRING D. 4.3X11X7.3 KR	2,00			--
0093	S	SFVR04274	BALL D. 7/32	2,00			--
0094		PVVR28494	METERING. BODY "44"	1,00			--
0095		PVVR09709	VALVE SEAT KR	1,00			--
0096		PVVR28495	KNOB "44"	1,00			--
0097	S	GUGO08071	O-RING D. 4.48 X 1.78 NBR 70SH	2,00			--
0098	S	PVVR28496	CAP D. 8 "44"	1,00			--
0099	S	FTDT28497	FILTER "44"	1,00			--
0100	S	GUGO15198	O-RING D. 13.10 X 2.62 NBR 70SH	1,00			--
0101	S	PVVR28498	HOSE FITTING "44"	1,00			--
0102		GUGO01032	O-RING D. 17.13 X 2.62 NBR 70SH	1,00			--
0103		RCDS18714	NIPPLE G 3/4 CLT	1,00			--
0104		FTAC09717	FILTER D.15X37	1,00			--
0105		GUGO03510	O-RING D. 12.37 X 2.62 NBR 70SH	1,00	27/03/2006		--
0106		PVVR28339	HOSE FITTING HBX	1,00	27/03/2006		--
0107		PVVR18733	RING NUT 3/4 COLT	1,00	27/03/2006		--
0112		RCDS09704	CAP G 1/8 KR	1,00			--
0113		VTVT01121	SCREW TCEI 8X60 UNI5931	8,00			--
0114		VTRS01072	WASHER D. 8 TC	8,00			--
0115		MFVR28499	HEAD "44" WW D.15 V.I.	1,00			--
0116		VTRS01075	WASHER D.21,5X27 ALL	1,00			--
0117		RCDS01091	CAP 1/2X10 M	1,00			--
0118	S	GUGO01001	OIL SEAL 20X 30X 5 NBR70	3,00			--
0119		VTRS01074	WASHER D.17,05X22.3 X1,5	1,00			--
0120		RCDS01090	CAP 3/8X13 M WW90	1,00			--
0121	S	PVVR09327	HEAD RING D. 15	3,00			--
0122		GUVVR09324	PACKING D. 15 TURBO	3,00			--
0123	S	GUVVR15117	PACKING D. 15 RESTOP	3,00			--
0124	S	PVVR09326	INTERMED. RING D. 15 TURBO	3,00			--
0125	S	PVVR28505	PACKING RETAIN. D. 15 "44"	3,00			--
0126	S	GUGO01039	O-RING D. 31.47 X 1.78 NBR 70SH	3,00			--
0128		LAFN33032	PLATE ELT ISK	1,00	01/10/2008		--
0130		MECO09672	CAPACITOR 40 MF BJ D.50X 95	2,00	27/03/2006	04/02/2007	--
0130		MECO41275	CONDENSER 40 MF RPN.3 D.50X 93	2,00	01/10/2008		--
0131		GUGO09674	O-RING D. 48.90 X 2.62 NBR 70SH	1,00			--
0149	S	GUVVR34582	PACKING D. 15 L.P.	3,00			--



Ref. Part n.	Part n. 2	Description	Reference	Price
KTRI28528		KIT P 138	0010 0017 0091 0092 0093 0097 0098 0099 0100 0101	--
KTRI28510		KIT P 15-124	0025 0028	--
KTRI28508		KIT P 15-123	0027	--
KTRI28526		KIT P 137	0030 0031 0032 0033 0034 0035 0036 0037 0038 0039 0040 0041 0042 0043 0044 0045	--
KTRI18585		KIT P 23	0118	--
KTRI21660		KIT P 90	0121	--
KTRI28522		KIT P 130	0121 0122 0123 0124 0125 0126 0149	--
KTRI21658		KIT P 88	0122 0123 0149	--
KTRI21659		KIT P 89	0124	--
KTRI28512		KIT P 15-125	0125 0126	--
KTRI29169		KIT P 15-137A	0046 0047 0048 0049 0050 0051 0052 0053 0054 0055	--

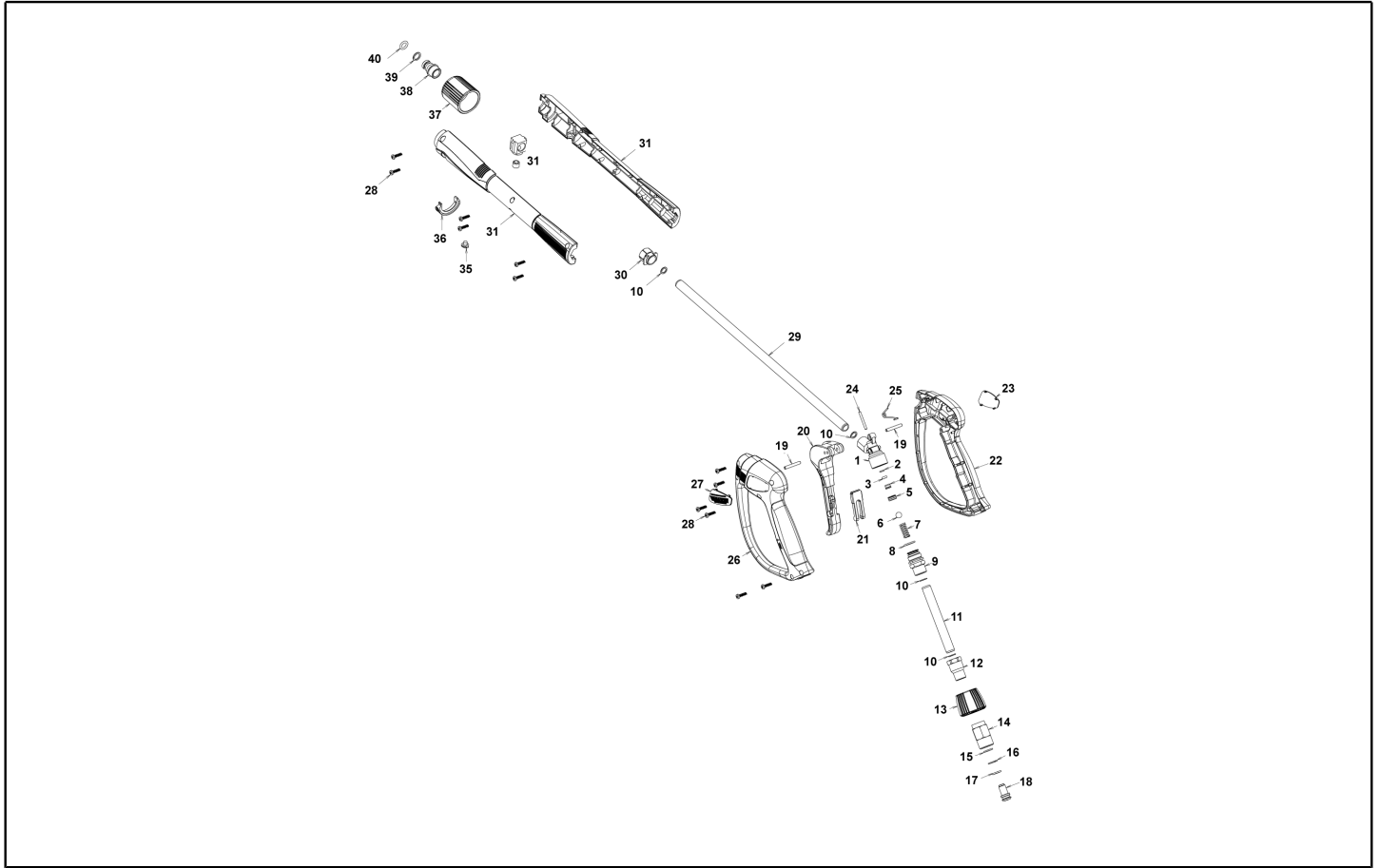


Ref. K	Part n.	Part n. 2	Description	Quantity	Validity		Price
					From	To	
0001	PVVR40381		GUN BODY G 5100 G1/4F	1,00			--
0002	S	GUVR40074	ANTI-EXTR.RING D. 3 X 7.4X1.3	1,00			--
0003	S	GUGO21835	O-RING D. 2.84 X 2.62 VIT. 80SH	1,00			--
0004	PVVR40382		PISTON GUIDE G 5100	1,00			--
0005	S	PVVR40112	BALL SEAT G 5000	1,00			--
0006	S	SFVR27026	BALL D.11/32" INX	1,00			--
0007		MLML40016	SPRING D. 9.4 x21.5x1.6 G5000	1,00			--
0008		GUGO12322	O-RING D. 14 X 1.78 NBR 90SH	1,00			--
0009		PVVR40383	CONNECTOR COLL.G5100 1/4F	1,00			--
0010		VTRS40017	WASHER D. 8.2X11,4X1.00	4,00			--
0011		PVVR40384	TUBE G 1/4" L.105	1,00			--
0012		RCIN40022	CONNECTOR SWIV G5100 1/4F	1,00			--
0013		MPVR40486	RING NUT G 5100 SW. GR.	1,00			--
0014		RCIN40021	JOINT SWIV 5100 M22	1,00			--
0015	S	GUVR40075	ANTI-EXTR.RING D. 10 X14X1.5	1,00			--
0016	S	GUVR40076	ANTI-EXTR.RING D. 11.2X14X1.2	1,00			--
0017	S	GUGO15295	O-RING D. 10.82 X 1.78 VIT 75SH	1,00			--
0018		PVVR40386	SCREW SW. G 5100	1,00			--
0019		PVVR40387	SMALL PISTON G 5100	1,00			--
0021		MPVR40487	TRIGGER G 5100-SW	1,00			--
0022		VTVR40047	PLUG D. 4X29	2,00			--
0023		MLML40029	SPRING G 5100	1,00			--
0024		MPVR40488	SAFETY-DEVICE G 5100-SW	1,00			--
0025		MPVR40489	SHELL G 5100-SW DX	1,00			--
0026		MPVR40490	SHELL G 5100-SW SX	1,00			--
0027		VTVT40043	SCREW AF 4X 14 HILO ZN.N	6,00			--
0028		MPVR40491	PLATE G 5100 GR.DX	1,00			--
0029		MPVR40492	PLATE G 5100 GR.SX	1,00			--
0030		LCPR40086	TUBE 1/4 L=420 ZC. 0°	1,00			--
0031		MPVR40493	CONNECTOR G 5100-SW	1,00			--
0032		MPVR40494	PROTECTION P 420 C/AN.	1,00			--
0033		PVVR40119	CONNECTION M22X1.5 IRV G5000	1,00			--
0034		RCIN40009	GUDGEON G 1/4 F IRV G5000	1,00			--
0035		GUVR40034	ANTI-EXTR.RING D. 10 X14	1,00			--
0036		GUGO01946	O-RING D. 9.13 X 2.62 VIT 70SH	1,00			--
0037		MPVR40495	CAP G 5100 REM.	1,00			--
0038		MPVR40198	CAP G 5000	1,00			--

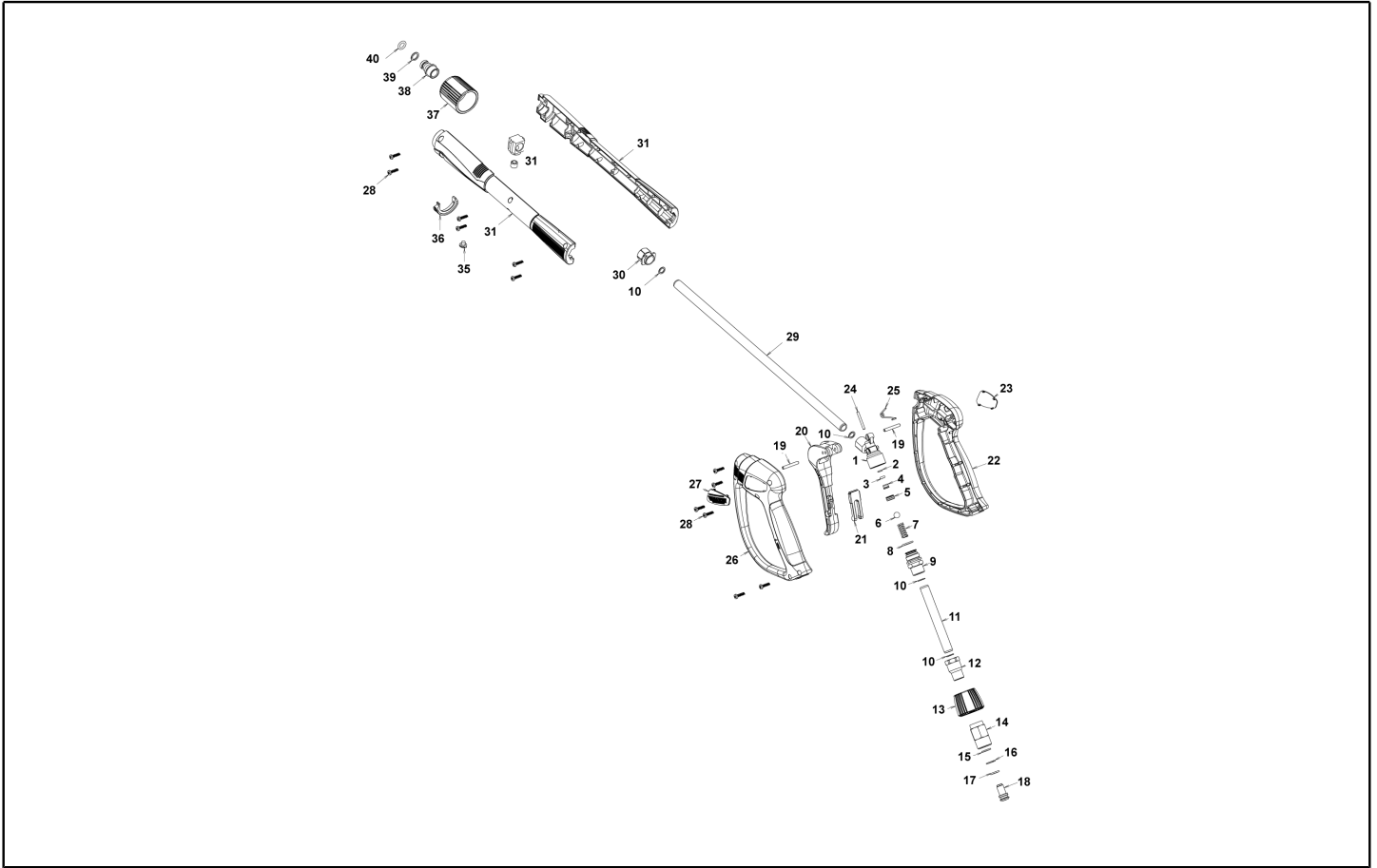


Ref. Part n.	Part n. 2	Description	Reference	Price
KTRI40242		KIT P 26- 25 G 5100	0002 0003 0005 0006	--
KTRI40243		KIT P 26- 26 SWIVEL G 5100	0015 0016 0017	--

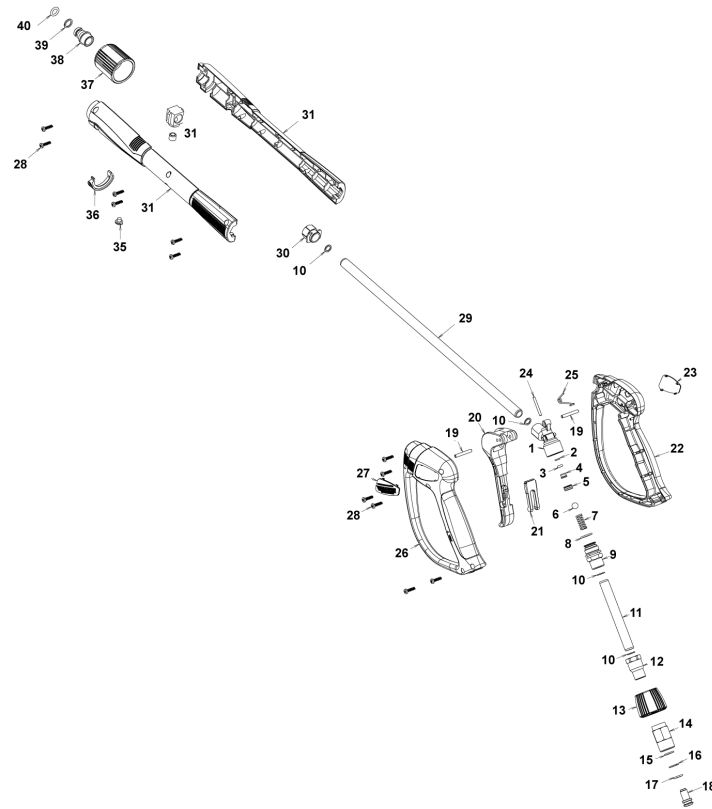




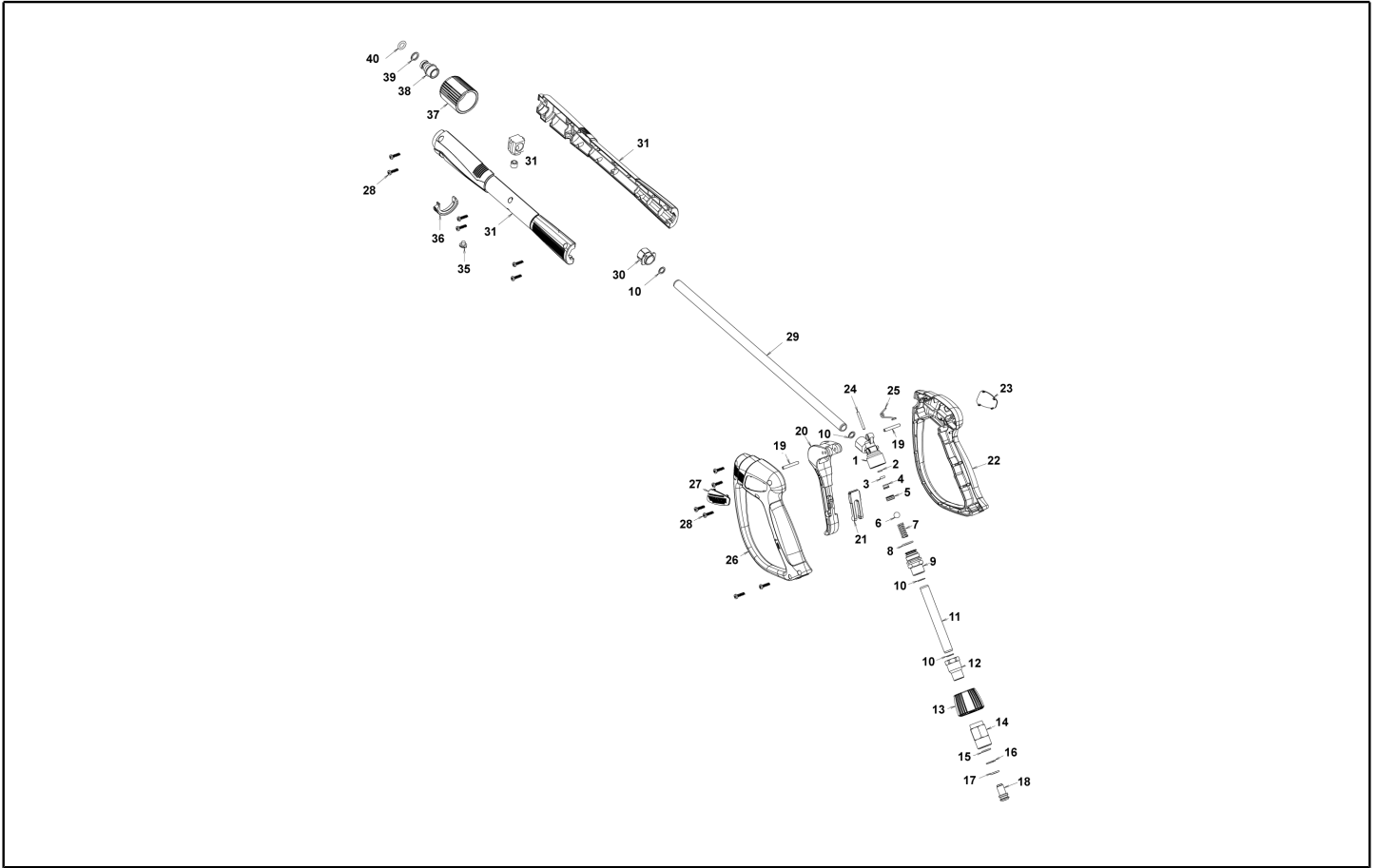
Ref. K	Part n.	Part n. 2	Description	Quantity	Validity		Price
					From	To	
0001	PVVR40381		GUN BODY G 5100 G1/4F	1,00			--
0002	S	GUVR40074	ANTI-EXTR.RING D. 3 X 7.4X1.3	1,00			--
0003	S	GUGO21835	O-RING D. 2.84 X 2.62 VIT. 80SH	1,00			--
0004		PVVR40382	PISTON GUIDE G 5100	1,00			--
0005	S	PVVR40112	BALL SEAT G 5000	1,00			--
0006	S	SFVR40002	BALL D.11/32" ALL GR16	1,00			--
0007		MLML40016	SPRING D. 9.4 x21.5x1.6 G5000	1,00			--
0008		GUGO12322	O-RING D. 14 X 1.78 NBR 90SH	1,00			--
0009		PVVR40383	CONNECTOR COLL.G5100 1/4F	1,00			--
0010		VTRS40017	WASHER D. 8.2X11,4X1.00	4,00			--
0011		PVVR40384	TUBE G 1/4" L.105	1,00			--
0012		RCIN40022	CONNECTOR SWIV G5100 1/4F	1,00			--
0013		MPVR40819	RING NUT G 5100 SW. BK.	1,00			--
0014		RCIN40021	JOINT SWIV 5100 M22	1,00			--
0015	S	GUVR40075	ANTI-EXTR.RING D. 10 X14X1.5	1,00			--
0016	S	GUVR40076	ANTI-EXTR.RING D. 11.2X14X1.2	1,00			--
0017	S	GUGO15295	O-RING D. 10.82 X 1.78 VIT 75SH	1,00			--
0018		PVVR40386	SCREW SW. G 5100	1,00			--
0019		VTVR40047	PLUG D. 4X29	2,00			--
0020		MPVR40820	TRIGGER G 6000-SW	1,00			--
0021		MPVR40821	SAFETY-DEVICE G 6000-SW	1,00			--
0022		MPVR40822	SHELL G 6000-SW DX	1,00			--
0023		MPVR40823	PLATE G 6000 GR.DX	1,00			--
0024		PVVR40387	SMALL PISTON G 5100	1,00			--
0025		MLML40029	SPRING G 5100	1,00			--
0026		MPVR40824	SHELL G 6000-SW SX	1,00			--
0027		MPVR40825	PLATE G 6000 GR.SX	1,00			--
0028		VTVT40043	SCREW AF 4X 14 HILO ZN.N	12,00			--
0029		LCPR40086	TUBE 1/4 L=420 ZC. 0°	1,00			--
0030		MPVR40493	CONNECTOR G 5100-SW	1,00			--
0031		MPVR40494	PROTECTION P 420 C/AN.	1,00			--
0035		MPVR40198	CAP G 5000	1,00			--
0036		MPVR40495	CAP G 5100 REM.	1,00			--
0037		PVVR40119	CONNECTION M22X1,5 IRV G5000	1,00			--
0038		RCIN40009	GUDGEON G 1/4 F IRV G5000	1,00			--
0039		GUVR40034	ANTI-EXTR.RING D. 10 X14	1,00			--
0040		GUGO01946	O-RING D. 9.13 X 2.62 VIT 70SH	1,00			--



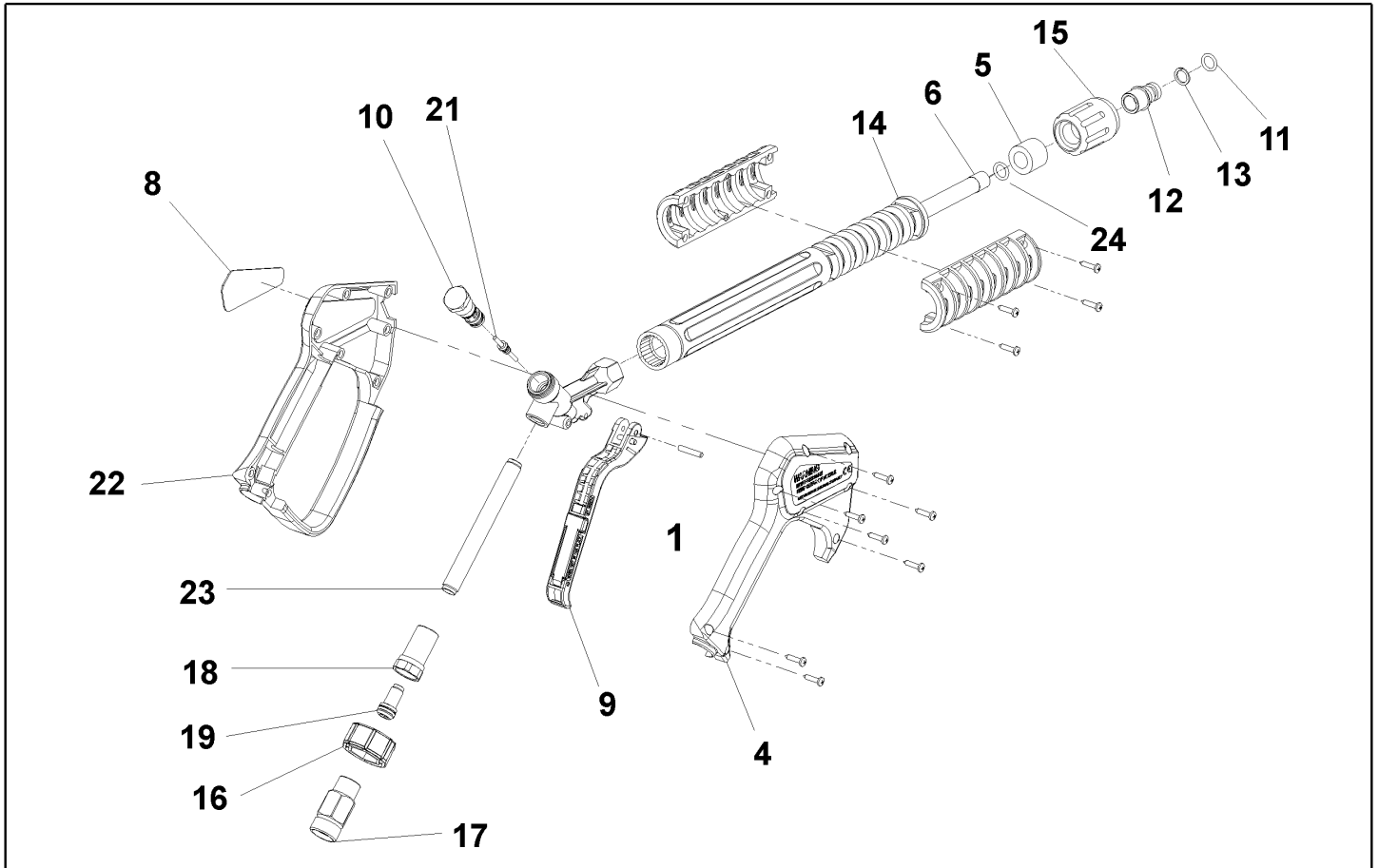
Ref. Part n.	Part n. 2	Description	Reference	Price
KTRI40243		KIT P 26- 26 SWIVEL G 5100	0015 0016 0017	--
KTRI40414		KIT P 26- 34 G 6000	0002 0003 0005 0006	--



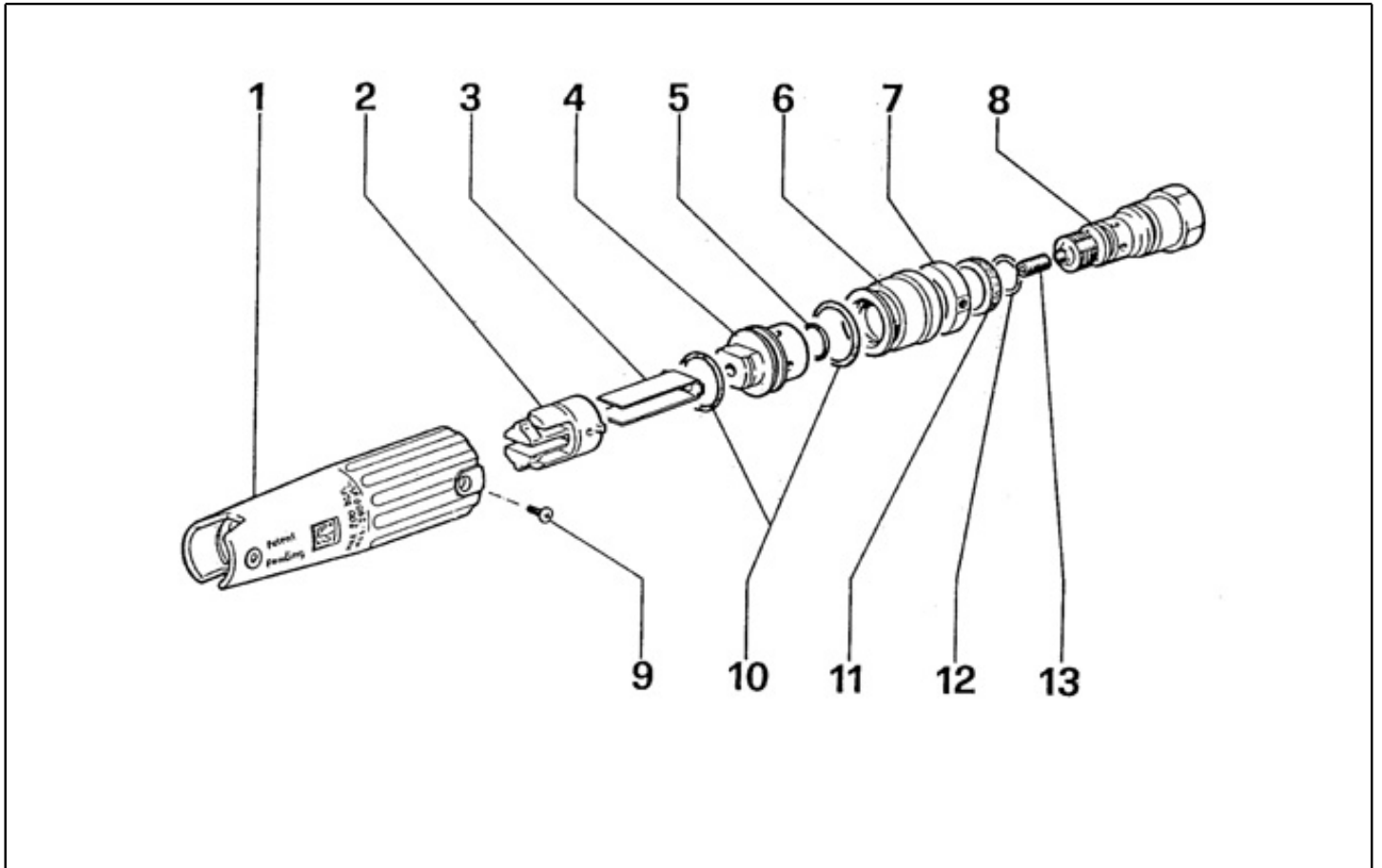
Ref. K	Part n.	Part n. 2	Description	Quantity	Validity		Price
					From	To	
0001	PVVR40381		GUN BODY G 5100 G1/4F	1,00			--
0002	S	GUVR40074	ANTI-EXTR.RING D. 3 X 7.4X1.3	1,00			--
0003	S	GUGO21835	O-RING D. 2.84 X 2.62 VIT. 80SH	1,00			--
0004		PVVR40382	PISTON GUIDE G 5100	1,00			--
0005	S	PVVR40563	BALL SEAT AL36 G6000 + OR	1,00			--
0006	S	SFVR40004	BALL D. 5/16" ALL.GR16	1,00			--
0007		MLML40047	SPRING D. 9.4 x23.5x1.6 G6000	1,00			--
0008		GUGO12322	O-RING D. 14 X 1.78 NBR 90SH	1,00			--
0009		PVVR40383	CONNECTOR COLL.G5100 1/4F	1,00			--
0010		VTRS40017	WASHER D. 8.2X11,4X1.00	4,00			--
0011		PVVR40384	TUBE G 1/4" L.105	1,00			--
0012		RCIN40022	CONNECTOR SWIV G5100 1/4F	1,00			--
0013		MPVR40967	RING NUT G 6000 SW. GR.	1,00			--
0014		RCIN40021	JOINT SWIV 5100 M22	1,00			--
0015	S	GUVR40075	ANTI-EXTR.RING D. 10 X14X1.5	1,00			--
0016	S	GUVR40076	ANTI-EXTR.RING D. 11.2X14X1.2	1,00			--
0017	S	GUGO15295	O-RING D. 10.82 X 1.78 VIT 75SH	1,00			--
0018		PVVR40386	SCREW SW. G 5100	1,00			--
0019		VTVR40047	PLUG D. 4X29	2,00			--
0020		MPVR40820	TRIGGER G 6000-SW	1,00			--
0021		MPVR40821	SAFETY-DEVICE G 6000-SW	1,00			--
0022		MPVR40822	SHELL G 6000-SW DX	1,00			--
0023		MPVR40968	PLATE G 6000/2 GR.DX	1,00			--
0024		PVVR40564	SMALL PISTON G 6000 AL36 SP.	1,00			--
0025		MLML40029	SPRING G 5100	1,00			--
0026		MPVR40824	SHELL G 6000-SW SX	1,00			--
0027		MPVR40825	PLATE G 6000 GR.SX	1,00			--
0028		VTVT40043	SCREW AF 4X 14 HILO ZN.N	12,00			--
0029		LCPR40181	TUBE 1/4 L=416 ZC. 0°	1,00			--
0030		MPVR40493	CONNECTOR G 5100-SW	1,00			--
0031		MPVR40494	PROTECTION P 420 C/AN.	1,00			--
0035		MPVR40198	CAP G 5000	1,00			--
0036		MPVR40495	CAP G 5100 REM.	1,00			--
0037		PVVR40119	CONNECTION M22X1,5 IRV G5000	1,00			--
0038		RCIN40048	GUDGEON G 1/4 F IRV G6000/2	1,00			--
0039		GUVR40034	ANTI-EXTR.RING D. 10 X14	1,00			--
0040		GUGO63555	O-RING D. 9.3 X 2,4 VIT 75SH	1,00			--



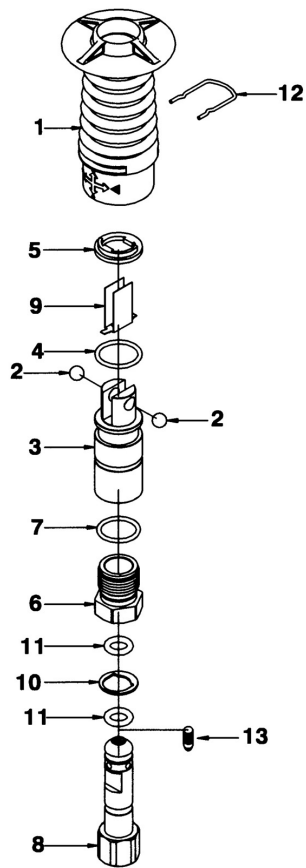
Ref. Part n.	Part n. 2	Description	Reference	Price
KTRI40243		KIT P 26- 26 SWIVEL G 5100	0015 0016 0017	--
KTRI40513		KIT P 26- 36 G 6000/II	0002 0003 0005 0006	--



Ref. K	Part n.	Part n. 2	Description	Quantity	Validity		Price
					From	To	
0001	VTVR46568		PLUG G 4500	1,00			--
0004	MPVR46563		COVER G 4500	1,00		30/04/2008	--
0004	MPVR40157		COVER G 4500 2V.	1,00	01/05/2008		--
0005	MPVR46572		SPACER P 330 ST	1,00			--
0006	LCPR46571		TUBE 1/4 L=352 ZC.	1,00		30/04/2008	--
0006	LCPR40007		TUBE 1/4 L=352 ZC. 2V.	1,00	01/05/2008		--
0008	MPVR46569		PLATE G 4500 RD.	1,00			--
0009	MPVR40057		TRIGGER G 4500 -SW	1,00			--
0010	PVVR40030		SMALL PISTON TM ST-2300	1,00			--
0011	GUGO10384		O-RING D. 10 X 2.2 VIT 80SH	1,00			--
0012	RCVR13030		GUDGEON G 1/4 F L=31.5	1,00			--
0013	GUVR10526		ANTI-EXTR.RING D.13.9X10.2 C.BZ	1,00			--
0014	MPVR46570		PROTECTION P 330 ST	1,00			--
0015	PVVR13445		CONNECTION M 22X1,5 L=45	1,00			--
0016	MPVR40058		RING NUT G4500 SW.	1,00			--
0017	RCIN40001		JOINT SWIV 4500 3/8"F	1,00		30/04/2008	--
0017	RCIN40005		JOINT SWIV 4500 3/8"F 2V.	1,00	01/05/2008		--
0018	RCIN31641		CONNECTOR SWIV 1500 F	1,00			--
0019	KTRI31645		KIT P 26- 14	1,00			--
0021	PVVR40031		ROD ST-2300	1,00			--
0022	MPVR46562		SHELL G 4500	1,00		30/04/2008	--
0022	MPVR40156		SHELL G 4500 2V.	1,00	01/05/2008		--
0023	PVVR40023		TUBE G 1/4" M/M P/SW.	1,00			--
0024	GUGO27021		O-RING D. 11 X 2.5 EPD 70SH	1,00	01/05/2008		--



Ref. K	Part n.	Part n. 2	Description	Quantity	Validity		Price
					From	To	
0001	PVVR31505		KNOB MRG 99	1,00			--
0002	PVVR09746		PLIERS MRG	1,00			--
0003	PVVR09747		GUIDE BLADE MRG	1,00			--
0004	LCTE31506		HEAD MRG 99	1,00			--
0005	GUGO28927		O-RING D. 9.13 X 2.62 NBR 70SH	1,00			--
0006	PVVR31507		DISTRIBUTOR MRG 99	1,00			--
0007	PVVR29578		CIRCLIP MRG 99	1,00			--
0008	RCDS31508		NIPPLE MRG 99	1,00			--
0009	VTVT31509		SCREW M 3X 4 TCB-TC UNI7687	1,00			--
0010	GUGO01056		O-RING D. 18.72 X 2.62 NBR 70SH	2,00			--
0011	GUVR29577		PACKING D.18 MRG 99	1,00			--
0012	GUGO01047		O-RING D. 11.91 X 2.62 NBR 70SH	1,00			--
0013	UGLN17647		NOZZLE CD.130 AR	1,00			--



Ref. K	Part n.	Part n. 2	Description	Quantity	Validity		Price
					From	To	
0001	MPVR45059		CAP I.JET	1,00			--
0002	SFVR45060		BALL D. 1/4" AISI 420	2,00			--
0003	PVVR45061		BODY I.JET	1,00			--
0004	GUGO01058		O-RING D. 17.17 X 1.78 NBR 70SH	1,00			--
0005	PVVR45062		CIRCLIP I.JET	1,00			--
0006	PVVR45063		NUT I.JET	1,00			--
0007	GUGO03505		O-RING D. 15.6 X 1.78 NBR 70SH	1,00			--
0008	PVVR45064		PIN I.JET 1/4F	1,00			--
0009	PVVR45065		GUIDE BLADE I.JET	1,00			--
0010	PVVR45066		RING I.JET	1,00			--
0011	GUGO31501		O-RING D. 7.60 X 2.62 VIT 70SH	2,00			--
0012	LAFN45067		PLUG "U" I.JET	1,00			--
0013	UGLN44392		NOZZLE M4 Fp 030 Inx	1,00			--