

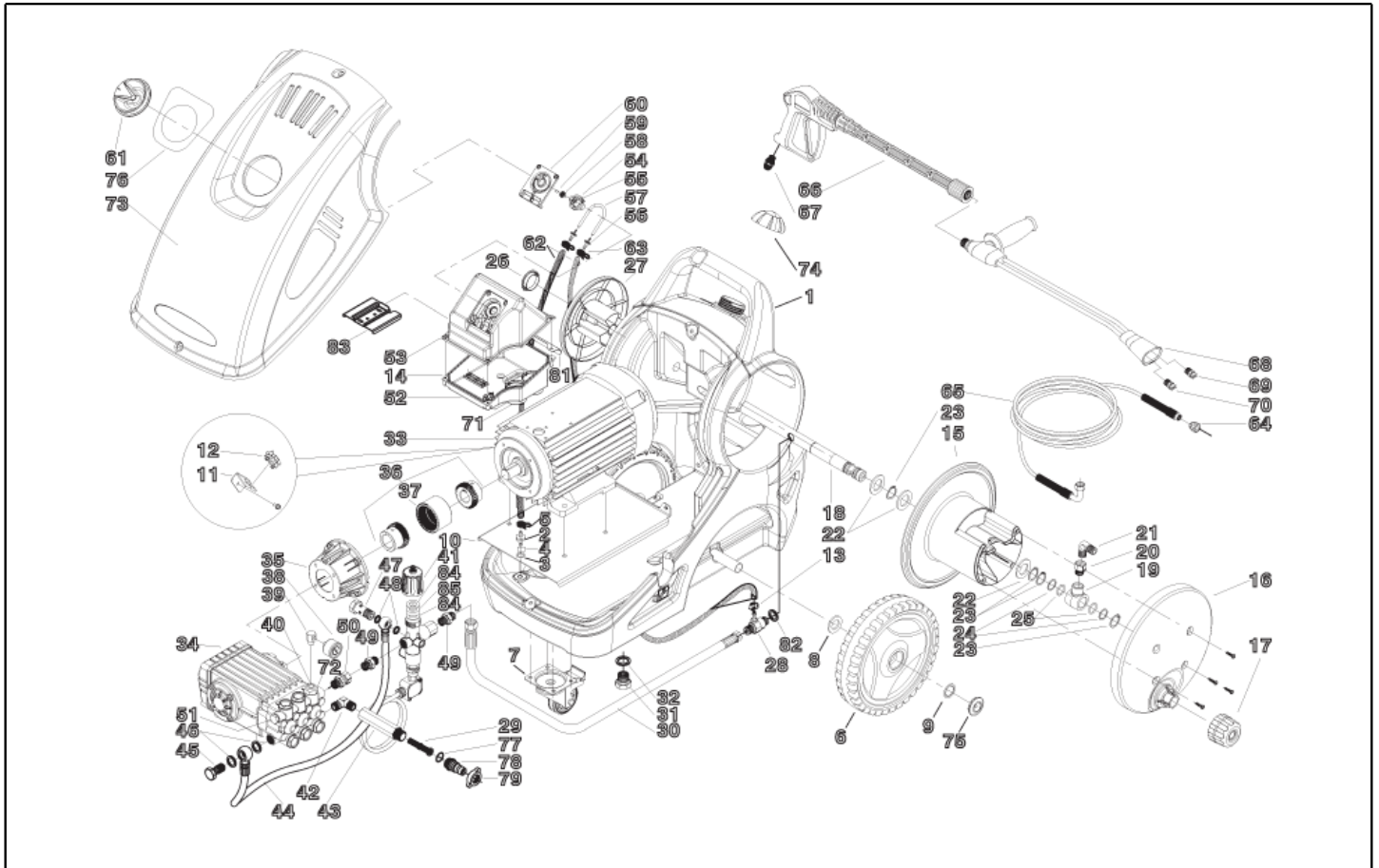


**IPC**

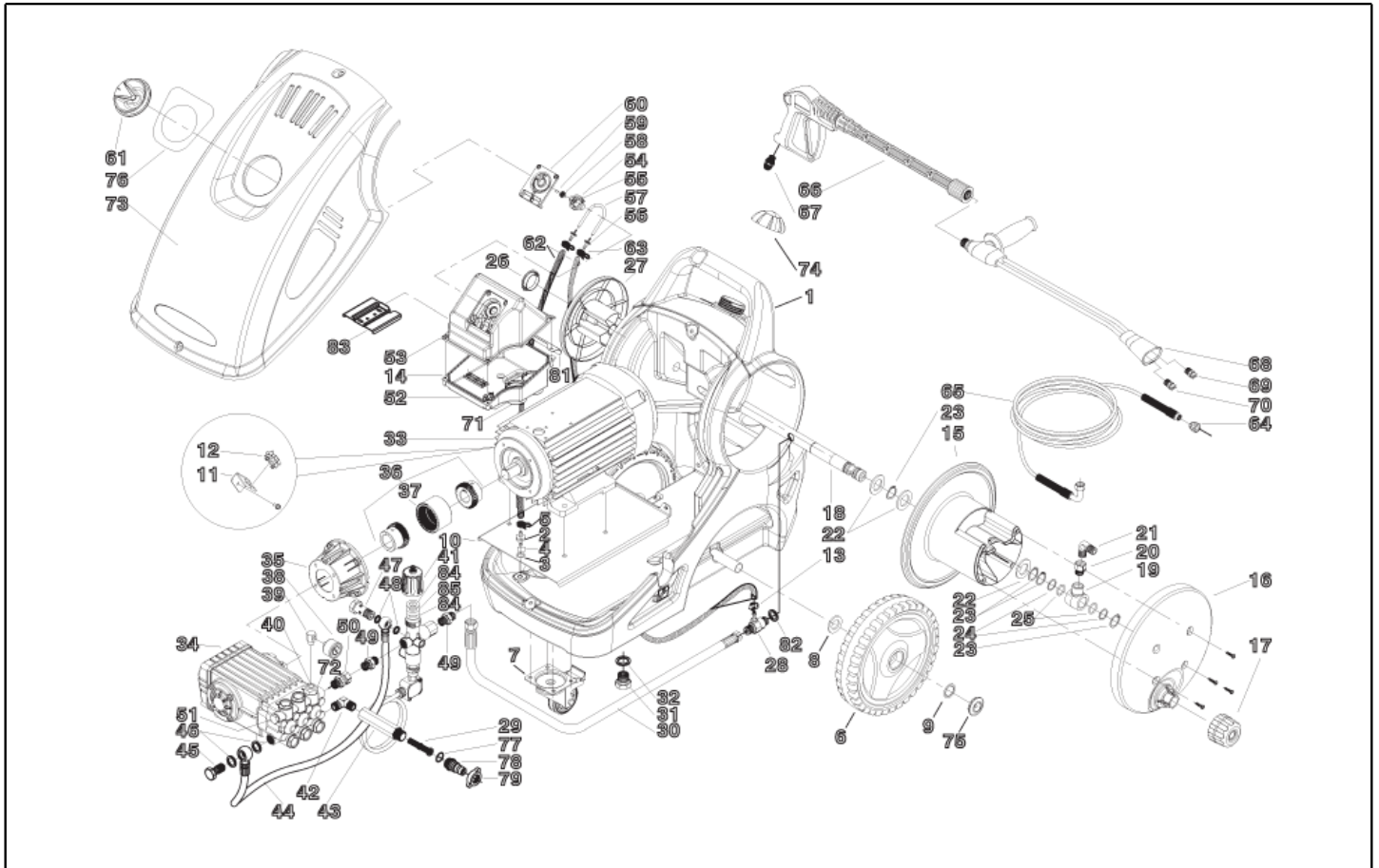
**Spare parts list**

Ref: IDAF89839

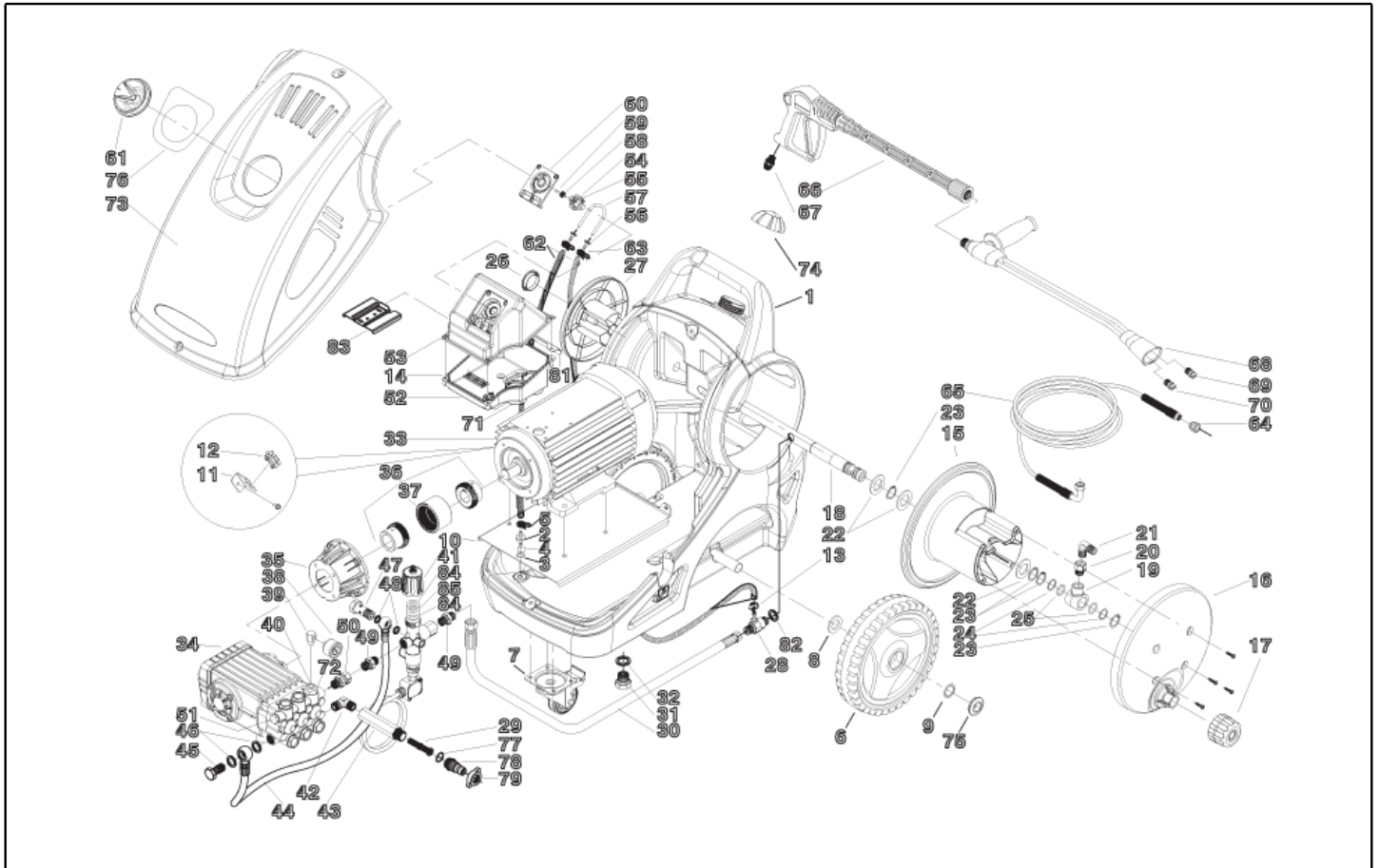
Model: H.P. CLEANER EV.X5 DS3670T4-415/50 PRT



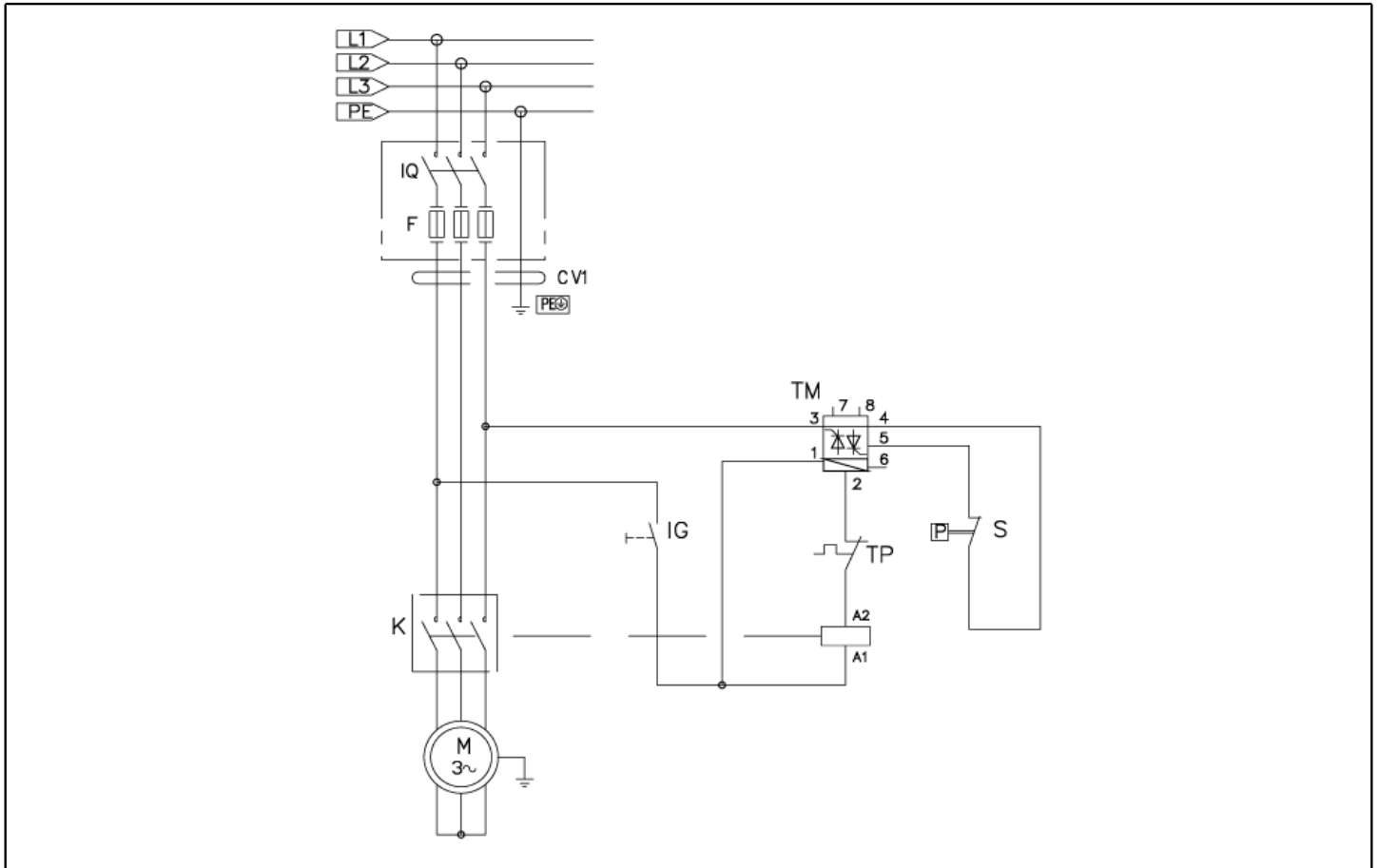
Ref. K	Part n.	Part n. 2	Description	Quantity	Validity		Price
					From	To	
0001	MPVR89771		CHASSIS P237-10CV C.SB. PELD BK.	1,00			--
0002	RCDS88373		HOSE FITTING 1/8 M D. 3- 7 X2 P245 OT.	1,00			--
0003	GUGO01054		O-RING D. 15.08 X 2.62 NBR 70SH	1,00			--
0004	TBBP15347		L.P. HOSE D. 6- 8 RILSAN NT.	0,06			--
0005	FSVR72800		CLAMP D 8.3 - 8.8	1,00			--
0006	RTRT40046		WHEEL D.300-D.25 FLY-IPC BK/RED	2,00	01/12/2015		--
0006	RTRT45383		WHEEL D.305-D.25 RT-IPC	2,00		30/11/2015	--
0007	RTRT12872		TURNING WHEEL D. 80 - P60X 80 - FR M.PL	1,00			--
0008	VTRS73055		WASHER D.44x26x4 ZC U.6592	2,00			--
0009	VTRS09813		WASHER D.25	2,00			--
0010	LAFN89773		MOTOR SUPPORT P237 H.112	1,00		06/05/2007	--
0010	LAFN40040		MOTOR SUPPORT P237 H.112 2V.	1,00	07/05/2007	22/08/2011	--
0010	LAFN40040		MOTOR SUPPORT P237 H.112 2V.	1,00	23/08/2011		--
0011	LAFN89774		SUPPORT P237 ZC.	1,00			--
0012	MEVR33994		CABLE FASTNER 4228 B D. 6- 18	1,00			--
0013	FSVR00427		CLAMP D. 12 CLIC 66-110	1,00			--
0013	FSVR11957		CLAMP D. 9.5-12 CLIC	1,00	13/07/2012		--
0014	GUGO11309		JOINT MOUSSE D. 3	0,80			--
0015	MPVR89766		DRUM P237 PPL BK.	1,00	01/10/2011		--
0016	MPVR89765		COVER P237 PP BK.	1,00			--
0017	MPVR89764		HANDLE P237 PA6	1,00			--
0018	LAFN89791		AXLE P237-10CV 2PZ.	1,00	01/10/2006	30/09/2011	--
0018	LAFN40438		AXLE P237-10CV 3PZ.ZC.	1,00	01/10/2011		--
0019	RCDS89862		BLOCK PRT-P237 G3/8 OT.	1,00	01/10/2011		--
0020	RCVR62626		SLEEVE 3/8 M/F L=30.5	1,00	01/10/2011		--
0021	RCVR40590		ELBOW 3/8" M A.P. OT.MTM	1,00	01/10/2011		--
0022	VTRS04924		WASHER D.23X 39	3,00	01/10/2011		--
0023	VTAE33674		CIRCLIP D. 22 UNI 7435	4,00	01/10/2011		--
0024	GUVVR37665		ANTI-EXTR.RING D.17.8X22 X1.5 PTFE	2,00	01/10/2011		--
0025	GUGO01032		O-RING D. 17.13 X 2.62 NBR 70SH	2,00	01/10/2011		--
0026	MPVR89776		CAP P237 A.CB.	1,00			--
0027	MPVR89777		CABLE SUPPORT P237	1,00			--
0028	EIDT89860		EJECTOR 1/2-1/4 M D.2.1 P237-MV	1,00		30/09/2006	--
0028	EIDT40001		EJECTOR 1/2-1/4 M S/UG. P237-MV	1,00	01/10/2006	30/09/2011	--
0028	EIDT40005		EJECTOR M22-1/4 M S/UG. P237-OT	1,00	01/10/2011		--
0029	FTAC30214		FILTER D.15X67	1,00			--
0030	TBAP40081		HOSE-FITTING 3/ 8 R2 L=480 M22F-3/8F90	1,00	01/10/2011		--
0030	TBAP89857		HOSE-FITTING 3/ 8 R2 L=480 1/2F-3/8F90	1,00		30/09/2011	--
0031	RCDS89769		CAP M12X1 CH.6 H.20 OT.	1,00			--
0032	GUGO76542		O-RING D. 23.47 X 2.62 NBR 70SH	1,00			--
0033	MOTR89784		3PH MOTOR B3-14 HP10 23/400-50 E.X5	1,00			--
0034	PPAP85800		PUMP WS251 DX LT 15 USA	1,00			--
0035	MFVR89552		FLANGE MOTOR H 112 B14-P237 9HP	1,00			--
0036	FGGT88467		FLEX. COUPLING P105 HP 9.0 CPL.	1,00			--



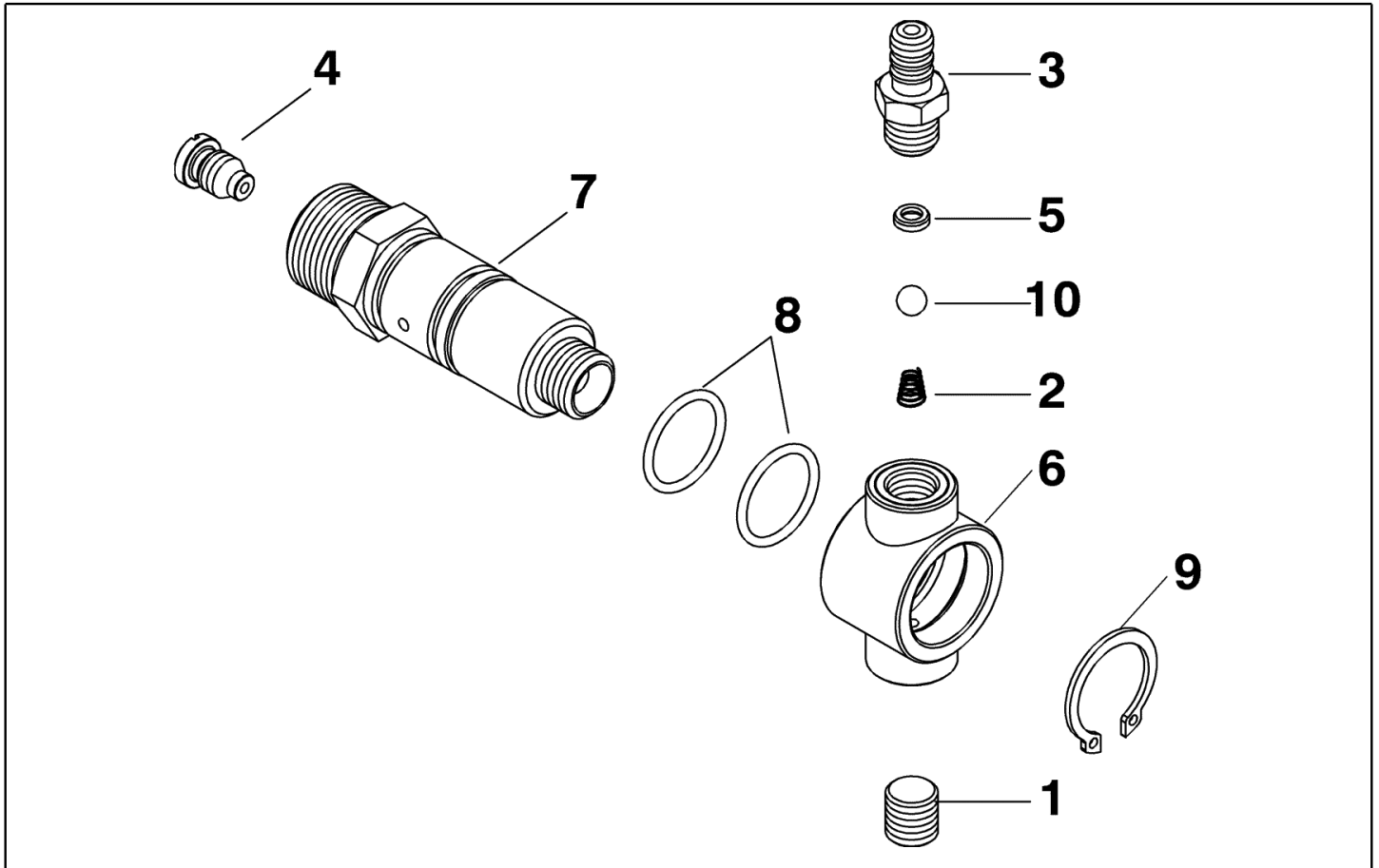
Ref. K	Part n.	Part n. 2	Description	Quantity	Validity		Price
					From	To	
0037	FGGT88465		SLEEVE P105 PA6	1,00			--
0038	MNMN89878		PRESSURE GAUGE G1/4 0-400 D.50 INOX	1,00			--
0040	RCDS89792		CONNECTOR G 1/4M -1/4F 90° P237 OT	1,00			--
0040	RCDS89919		CAP M24X1.5X17.5 F.1/4 OT.	1,00			--
0041	VVAZ40082		VALVE VRT3 3/8F 28MPa +1/4F+SW	1,00	15/11/2016		--
0041	VVAZ89669		VALVE BP 9 3/8F-250B. +SWITCH	1,00	01/10/2011	14/11/2016	--
0042	RCVR72843		CONNECTOR 90g 1/2"Gj AP	1,00			--
0043	RCDS89865		SLEEVE 3/4-1/2 M/F P237 OT	1,00			--
0044	TBBP28994		L.P. HOSE L= 390 1/2OCC-3/8OCC. 90°	1,00	01/10/2011		--
0045	RCDS16328		SCREW G 1/2 D.8	1,00			--
0046	VTRS12491		WASHER 1/2	2,00		30/11/2015	--
0046	VTRS40027		WASHER 1/2 ZC + NBR 85SH	2,00	01/12/2015		--
0047	RCDS01371		SCREW G 3/8 A.P.	1,00	01/10/2011		--
0048	VTRS12492		WASHER 3/8	2,00	01/10/2011	30/11/2015	--
0048	VTRS40026		WASHER 3/8 ZC + NBR 85SH	2,00	01/12/2015		--
0049	RCDS00610		NIPPLE 3/8 - 3/8 SV	2,00	01/10/2011		--
0050	RCVR00563		SWIVEL RACCORD 3/8 M/F	1,00			--
0051	RCVR00659		CAP 1/4 M	1,00	01/10/2011		--
0052	MPVR89768		CONTROL BOX P237 PA6 BK.	1,00			--
0053	MPVR89767		BOX COVER P237 PA6 BK.	1,00			--
0054	MPVR89759		TAIL PIECE P237 INT. PA6 BK.	1,00			--
0055	GUGO01032		O-RING D. 17.13 X 2.62 NBR 70SH	1,00	22/09/2006		--
0055	GUGO19395		O-RING D. 20.24 X 2.62 NBR 70SH	1,00		21/09/2006	--
0056	RCDS89761		HOSE FITTING PA6 D. 3.5-7 P237	2,00			--
0057	TBBP89815		L.P. HOSE D. 4- 8.5 SILIC. NT.	0,19			--
0058	MPVR89760		ROLLER P237 PA6 BK.	1,00			--
0059	LAFN89793		PIN P237 INX	1,00			--
0060	MPVR89763		COVER P237 PA6 BK.	1,00			--
0061	MPVR89762		BLACK KNOB P237 PA6	1,00			--
0062	TBBP93804		L.P. HOSE D. 6- 9	0,65	01/05/2012		--
0062	TBBP93804		L.P. HOSE D. 6- 9	0,50	01/04/2017		--
0063	FSVR72803		CLAMP D 9.3 - 9.9	1,00	01/04/2017		--
0063	FSVR72803		CLAMP D 9.3 - 9.9	1,00	18/03/2010	31/03/2017	--
0064	RCIN89882		CONNECTION G 1/2F +INN.G1/4M L.14.5	1,00		14/03/2007	--
0065	TBAP89859		H.P. HOSE R1 MT 15 5/16" 1/4F- 3/8F	1,00		14/03/2007	--
0065	TBAP40013		H.P. HOSE R1 MT 15 5/16" IRV X-3/8F	1,00	15/03/2007		--
0066	IPPR86137		GRIP ST 2300 - P 330 - 3/8 M	1,00		14/03/2007	--
0066	IPPR89429		GRIP G 4500 - P.330 -M22SW.M V	1,00	15/03/2007	16/04/2014	--
0066	IPPR40016		GRIP G 5000+P.330 +M22 SW.M V2	1,00	17/04/2014	31/01/2016	--
0066	IPPR40020		GRIP G 6000+P.330 +M22 SW.M V	1,00	01/02/2016	14/06/2018	--
0066	IPPR40025		GRIP G 6000+P.330 +M22 SW.M 2V	1,00	15/06/2018		--
0067	RCIN73010		SCREW CLUTCH 3/8 F	1,00		14/03/2007	--
0068	LCPR12983		DOUBLE EXTENS. PD 70	1,00		09/11/2016	--
0068	LCPR40160		DOUBLE EXTENS. PD 70 M22 M -1/4F INX 0°	1,00	01/09/2017		--



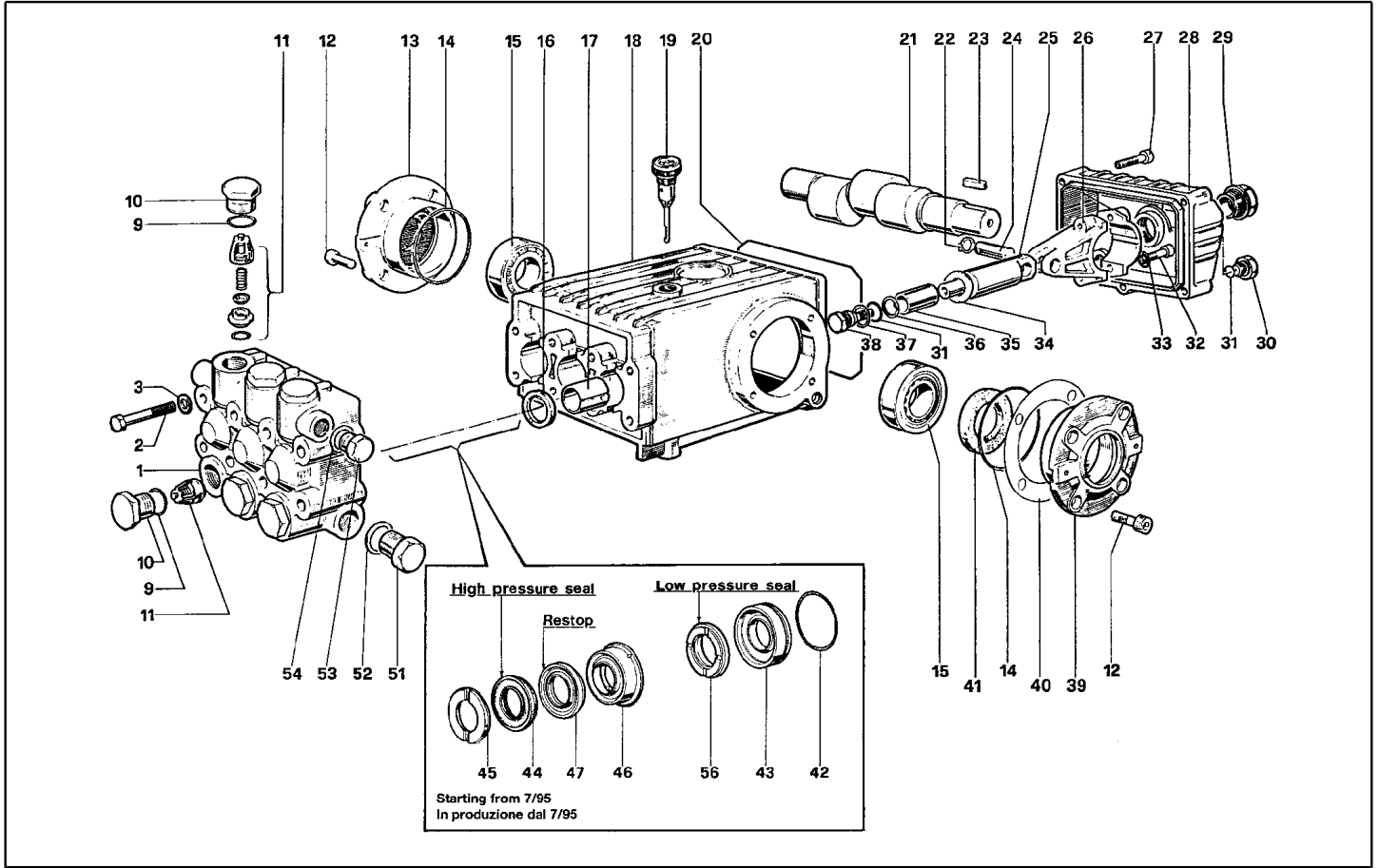
Ref. K	Part n.	Part n. 2	Description	Quantity	Validity		Price
					From	To	
0068	LCPR89117		DOUBLE EXTENS. PD 70 M22 M -1/4F INX MV	1,00	10/11/2016	31/08/2017	--
0069	UGLN05174		NOZZLE 1/4 5040 OT	1,00		18/05/2006	--
0069	UGLN89941		NOZZLE LECH 1/4 6070 OT.	1,00	19/05/2006		--
0070	UGLN49991		NOZZLE LECH 1/4 2504	1,00			--
0071	GUGO89794		O-RING 41.28 X 3.53- NBR -70SH	1,00			--
0072	GUGO01033		O-RING D. 20.24 X 2.62 NBR 90SH	1,00			--
0073	MPVR89647		RED COVER P237-10CV PP	1,00			--
0074	MPVR45426		TANK CAP P176 PEHD	1,00			--
0075	MPVR40735		HUB CAP D.50 G-48/IPC RD.	2,00	01/12/2015		--
0075	MPVR45384		RED WHEEL COVER D. 305 RT-PRT	2,00		30/11/2015	--
0076	ETET89890		LABEL P237-EV.X5 PLC	1,00			--
0077	GUGO01054		O-RING D. 15.08 X 2.62 NBR 70SH	1,00			--
0078	RCDS08965		HOSE FITTING OTT.	1,00			--
0079	RCDS09316		CONNECTION G. 3/4	1,00			--
0081	LAFN40130		PROTECTION P237-X5 INX	1,00	20/10/2008		--
0083	LAFN46067		SUPPORT L.60 P176	1,00	04/09/2014		--



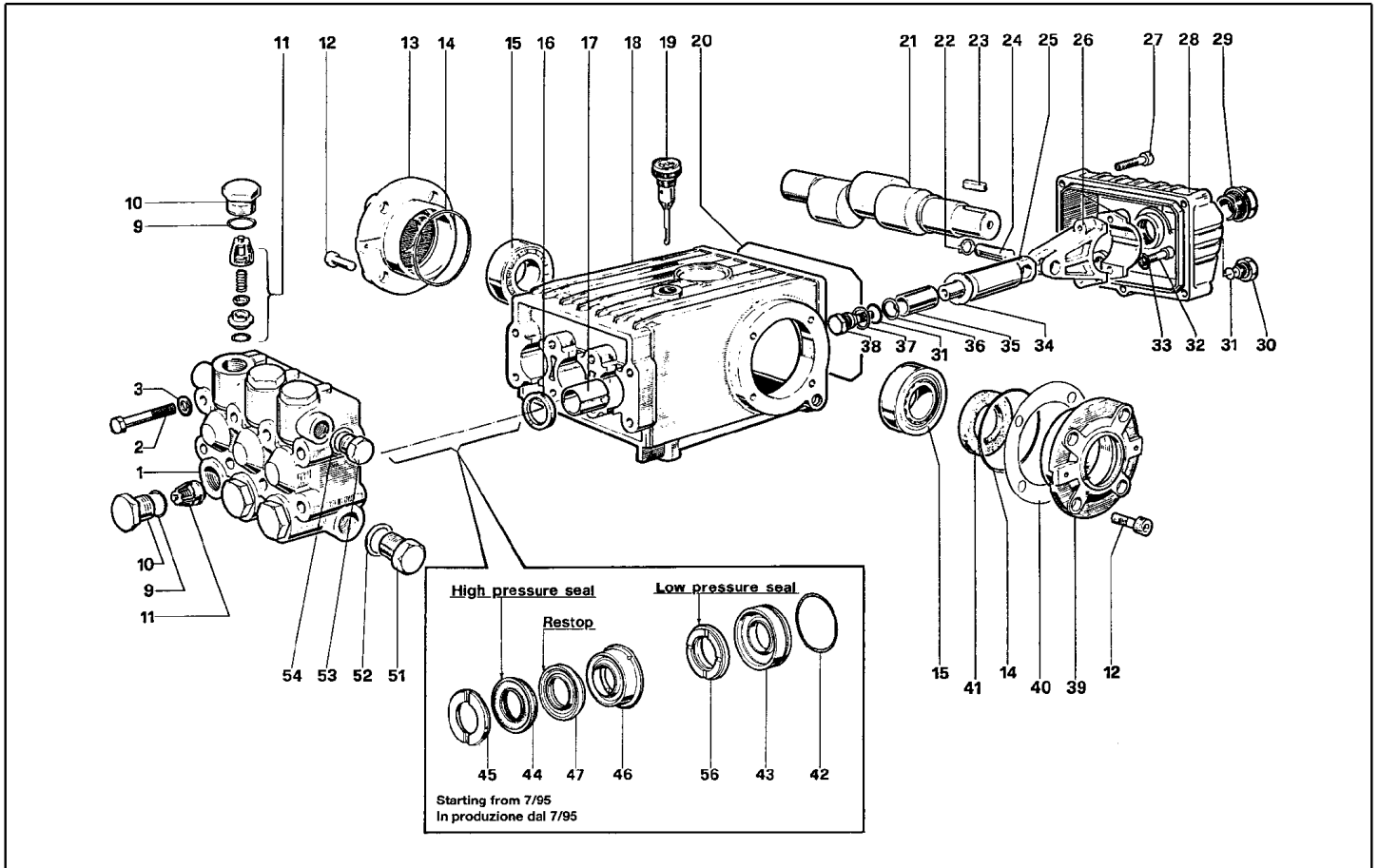
Ref. K	Part n.	Part n. 2	Description	Quantity	Validity		Price
					From	To	
K	METT40021		CONTACTOR SIE 3RT 2025-1AV00 400V	1,00	04/09/2014		--
K	METT89844		CONTACTOR SIE 3RT 1025 1AV00 400V	1,00		03/09/2014	--
S	MEPF40000		PRESSURE SWITCH BP9 -3F.	1,00			--
IG	MECI89816		MICROSWITCH XGG2-86 Z284	1,00			--
TM	METY40000		TIMER THV/1 400-5/60 30S.VM	1,00	01/09/2015		--
TM	METY89835		TIMER THV/1+OPTO 380V 5/60 30S	1,00		31/08/2015	--
CV1	MECB89887		CABLE H07RNF 4X4 L. 6.500	1,00			--



Ref. K	Part n.	Part n. 2	Description	Quantity	Validity		Price
					From	To	
0001	RCDS59682		CAP 1/8 M OT.NIK EI.CN	1,00			--
0002	MLML47996		SPRING D. 5.5	1,00			--
0003	PVVR40014		HOSE FITTING P237-MV	1,00			--
0004	UGEI40002		NOZZLE D. 2.1 MV OT.	1,00	01/10/2006		--
0004	UGEI40002		NOZZLE D. 2.1 MV OT.	1,00	01/10/2006		--
0005	PVVR47994		BALL SEAT MV 625	1,00			--
0006	PVVR47995		METERING. BODY MV 625 GIR.	1,00			--
0007	PVVR40015		METERING. BODY G1/2 P237	1,00			--
0008	GUGO01058		O-RING D. 17.17 X 1.78 NBR 70SH	2,00			--
0009	VTAE06193		CIRCLIP D. 20 UNI 7435	1,00			--
0010	SFVR04274		BALL D. 7/32	1,00			--

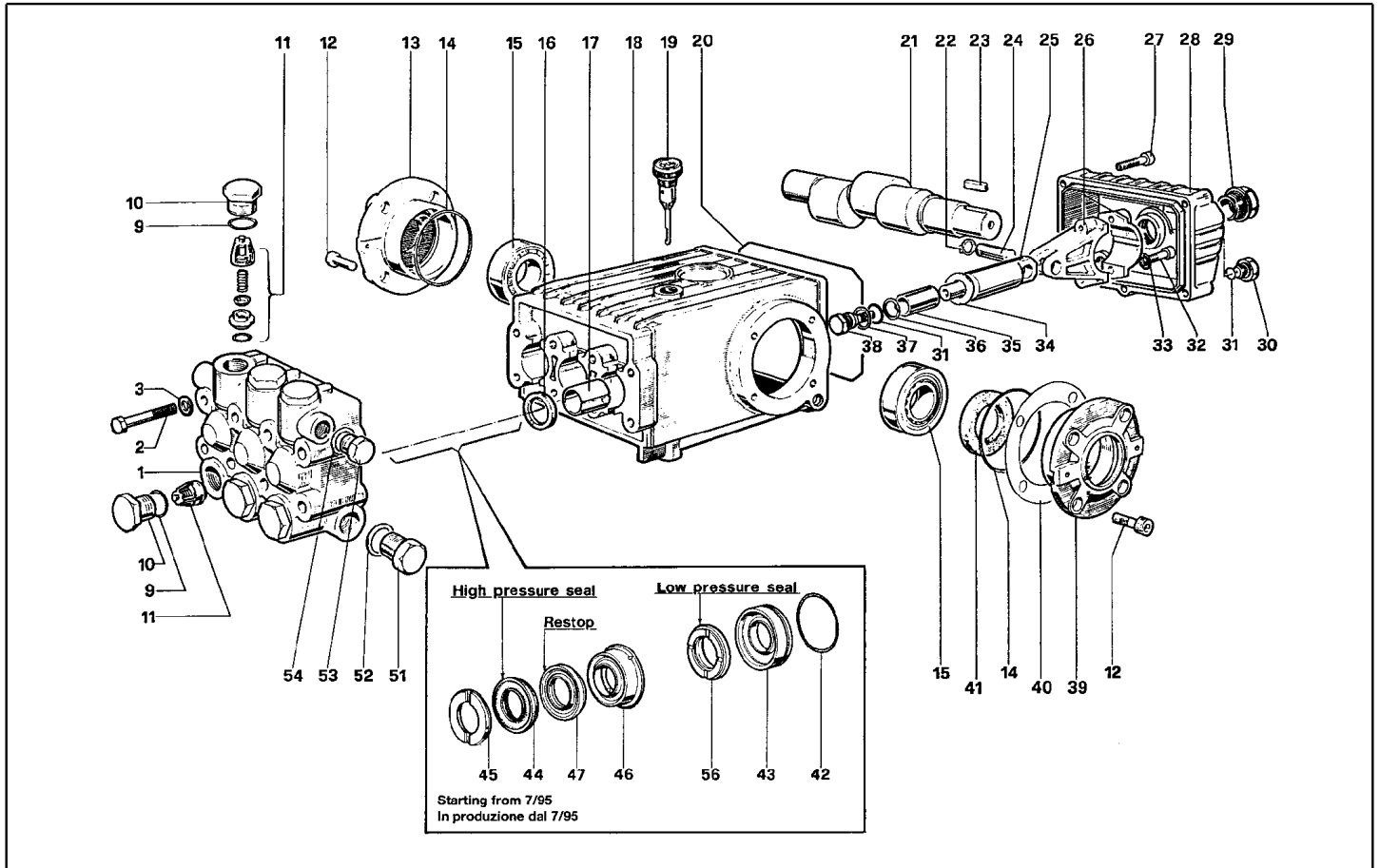


Ref. K	Part n.	Part n. 2	Description	Quantity	Validity		Price
					From	To	
0001	MFVR86571		HEAD WS 251	1,00			--
0002	VTVT01111		SCREW TE M 8X70 UNI 5737 A.10.9	8,00			--
0003	VTRS01072		WASHER D. 8 TC	8,00			--
0009	GUGO01033		O-RING D. 20.24 X 2.62 NBR 90SH	6,00			--
0010	RCDS86572		CAP M24X1.5X17.5 HP WS 251	6,00			--
0011	S VVAM01104		VALVE UNIT W 70-151	6,00			--
0012	VTVT01118		SCREW TCEI M 8X16 ZC. UNI 5931	8,00			--
0013	MFVR03576		CRANKASE COVER W151	1,00			--
0014	GUGO01041		O-RING D. 67.95 X 2.62 NBR 70SH	2,00			--
0015	CUVR86573		ROLLER BEARING 32206 H.Q	2,00			--
0016	S GUGO01000		OIL SEAL 22X 32X 5 NBR70	3,00			--
0017	PVVR01011		BUSHING W 151	3,00			--
0018	MFVR01013		PUMP CRANKCASE W 151	1,00			--
0019	PVVR01092		OIL DIPSTICK W 151	1,00			--
0020	GUGO34590		O-RING D. 133.02 X 2.62 NBR 70SH	1,00			--
0021	ALMO03577		SHAFT WS151	1,00			--
0022	VTAE14016		CIRCLIP D. 12 UNI 7435	6,00			--
0023	VTVR41531		KEY 8X 7X35 UNI 6604A	1,00			--
0024	PVVR01085		GUDGEON D.13X35 W151	3,00			--
0025	PVVR15130		PISTON GUIDE WS201	3,00			--
0026	BLVR01009		CONNECTING ROD W 151	3,00			--
0027	VTVT01116		SCREW TCEI 6X30 UNI5931	5,00			--
0028	MFVR03582		CRANKASE COVER W 151 POS	1,00			--
0029	PVVR01083		OIL INDICATOR G 3/4 W70-151	1,00			--
0030	RCDS01088		CAP 1/4X 9 M WW90	1,00			--
0031	S GUGO01036		O-RING D. 10.82 X 1.78 NBR 70SH	4,00			--
0032	VTVT01120		SCREW TCEI 8X35 UNI5931	6,00			--
0033	VTRS14242		WASHER D. 8.4X13X0.8 UNI7064 SCH	6,00			--
0034	S VTRS01753		WASHER D.14X28 X0,5	3,00			--
0035	PIVR01066		PISTON D.20X50 W 151	3,00			--
0036	S GUVR00994		ANTI-EXTR.RING W151	3,00			--
0037	S VTRS01076		WASHER D.14X18,5X0,5	3,00			--
0038	S PVVR01107		PISTON BOLT IP W151	3,00			--
0039	MFVR03583		CRANKASE COVER W151	1,00			--
0040	PVVR01016		THICKNESS 0,1 W 151	2,00			--
0041	S GUGO01003		OIL SEAL 30X 55X 7 NBR70	1,00			--
0042	S GUGO01042		O-RING D. 34.6 X 1.78 NBR 70SH	3,00			--
0043	S PVVR00977		PACKING RETAIN. W151	3,00			--
0044	S GUVR00981		PACKING W151	3,00			--
0045	S PVVR00985		HEAD RING W151	3,00			--
0046	S PVVR34589		INTERMED. RING W 151 D. 20	3,00			--
0047	S GUVR34587		PACKING D. 20 RESTOP	3,00			--
0051	RCDS01091		CAP 1/2X10 M	1,00			--
0052	VTRS01075		WASHER D.21,5X27 ALL	1,00			--

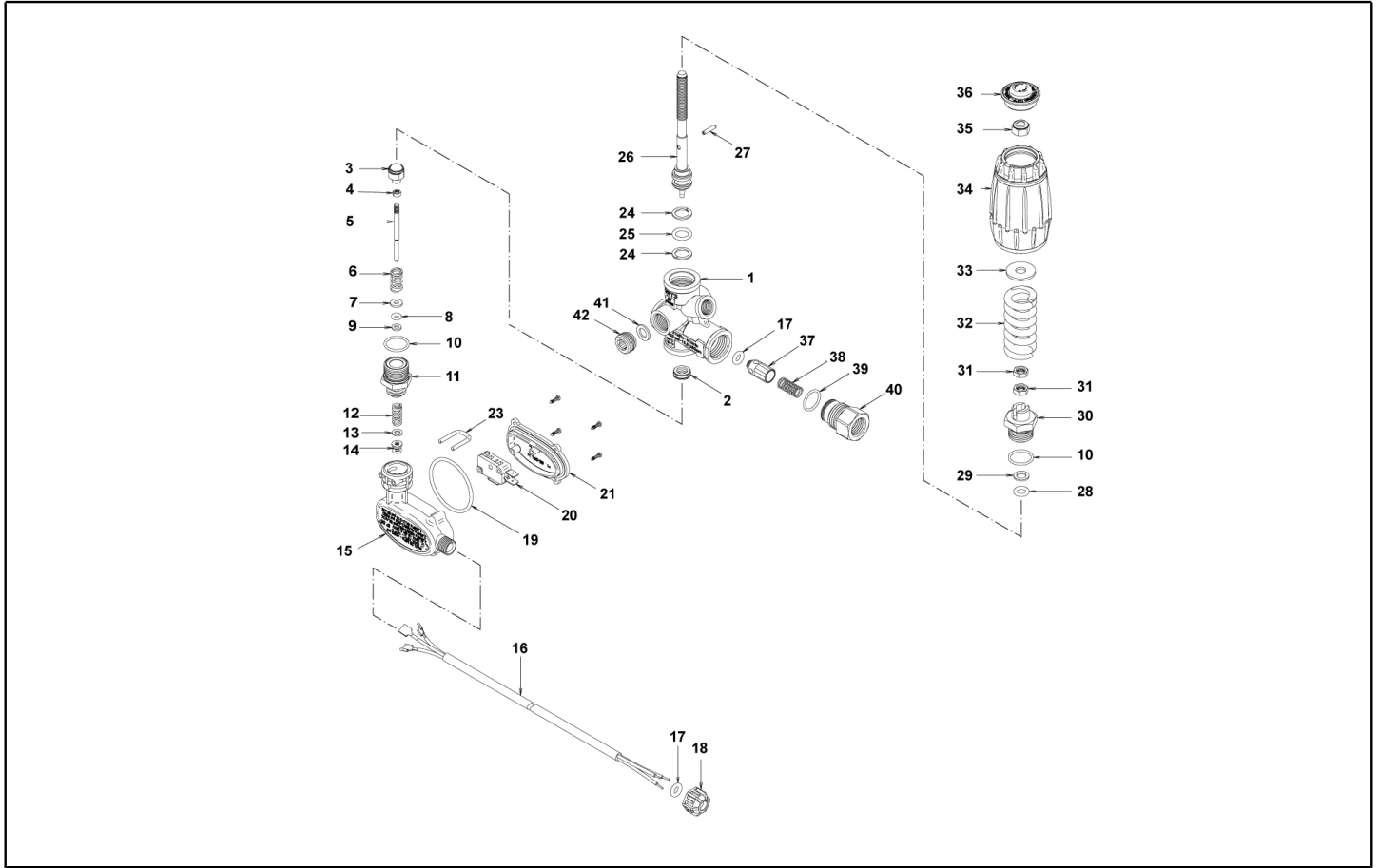


Ref. K	Part n.	Part n. 2	Description	Quantity	Validity		Price
					From	To	
0053	RCDS01090		CAP 3/8X13 M WW90	1,00			--
0054	VTRS01074		WASHER D.17,05X22,3 X1,5	1,00			--
0056	S	GUVR34585	PACKING W 151 L.P.	3,00			--

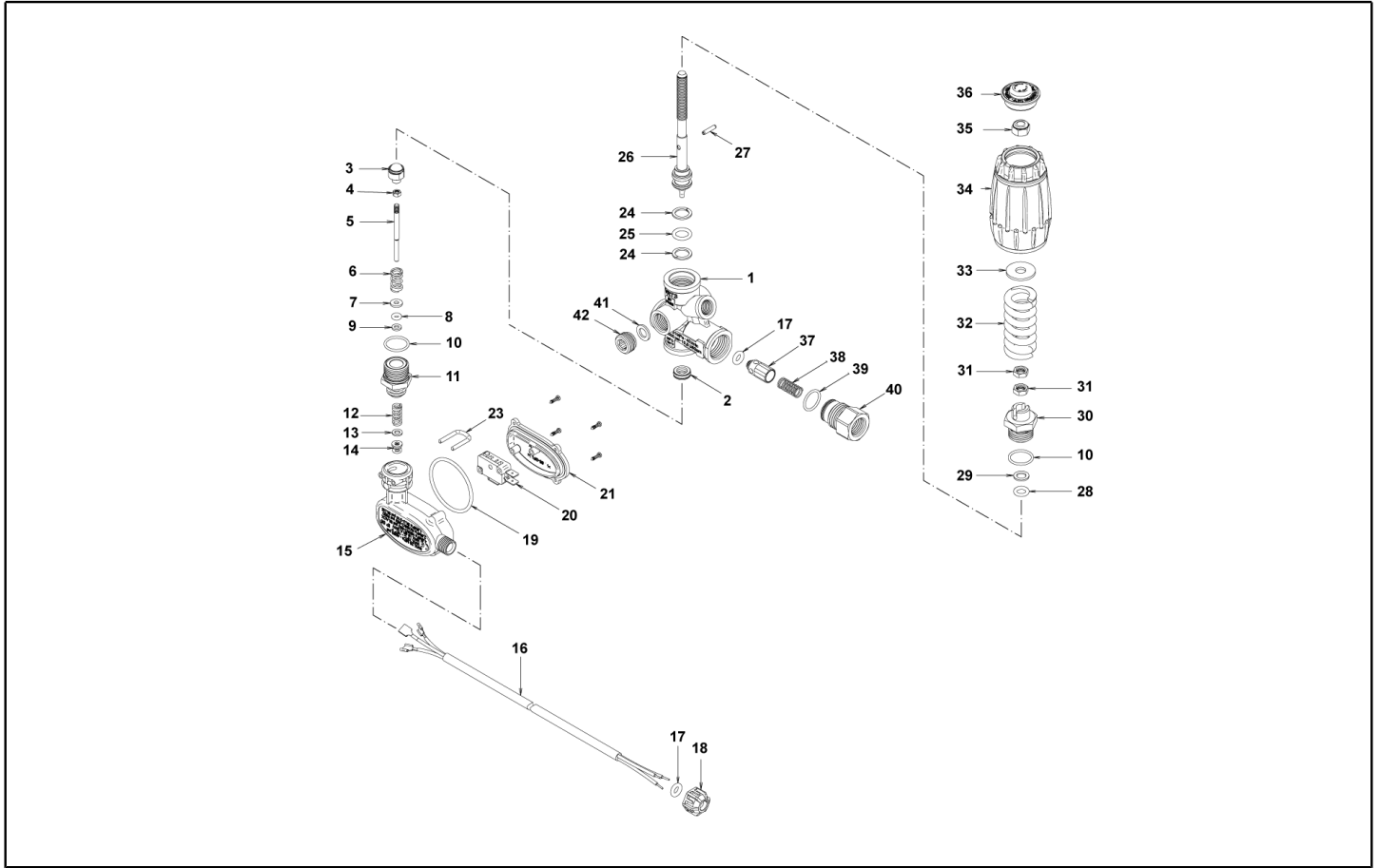




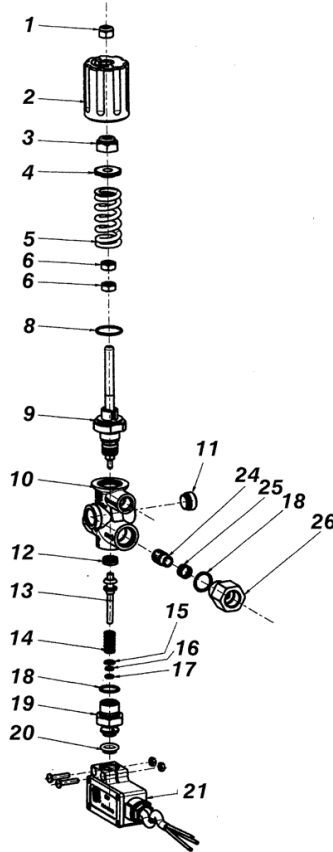
Ref. Part n.	Part n. 2	Description	Reference	Price
KTRI14900		KIT P 15- 3	0041	--
KTRI14901		KIT P 10	0042 0043	--
KTRI17793		KIT P 6	0031 0034 0036 0037 0038	--
KTRI17859		KIT P 1	0011	--
KTRI17860		KIT P 15- 2	0016	--
KTRI18574		KIT P 7	0045	--
KTRI18579		KIT P 28	0042 0043 0044 0045 0046 0047 0056	--
KTRI36927		KIT P 69	0044 0047 0056	--
KTRI35429		KIT P 71	0046 0047	--



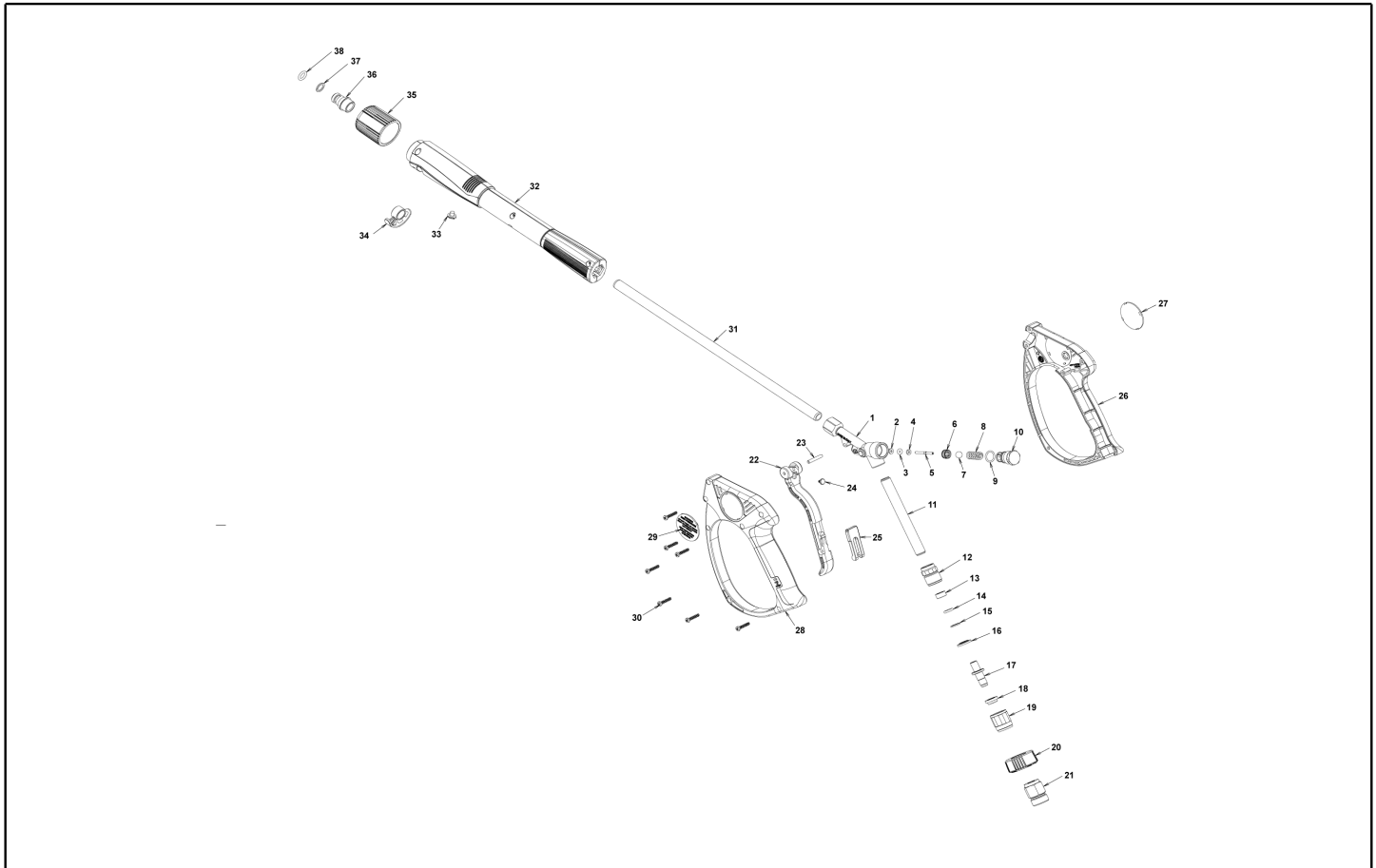
Ref. K	Part n.	Part n. 2	Description	Quantity	Validity		Price
					From	To	
0001	PVVR40342		VALVE BODY VRT3 3/8F	1,00			--
0002	S PVVR40474		BALL SEAT D.8 VRT3 + OR	1,00			--
0003	S PVVR40475		COUPLING VRT 13/32"	1,00			--
0004	S VTDD63179		NUT M 4 OT.	1,00			--
0005	S PVVR40457		CONTROL ROD PS6 MV 0316	1,00			--
0006	MLML40024		SPRING MV0316 28	1,00			--
0007	VTRS40031		WASHER D. 4 X10 X1.5 OT	1,00			--
0008	S GUGO01201		O-RING D. 3.6 X 2.4 -NBR 70SH	1,00			--
0009	S GUVR41557		ANTI-EXTR.RING D. 4 X 7.8X1.2	1,00			--
0010	S GUGO24913		O-RING D. 17.17 X 1.78 NBR 90SH	2,00			--
0011	PVVR40458		CONNECTOR PS6 VRT-3	1,00			--
0012	MLML40033		SPRING PS2 15BAR	1,00			--
0013	VTRS40032		WASHER D. 4.1X8.0X1.0 OT	1,00			--
0014	S GUVR40090		GASKET PS3 VRT-3	1,00			--
0015	MPVR40813		SHELL PS6 BK.	1,00			--
0016	MECB40341		CABLE 3X1 L=1.2 BK.	1,00			--
0017	S GUGO46053		O-RING D. 6 X 3 NBR 90SH	2,00			--
0018	MPVR40814		RING NUT PS3 BK.	1,00			--
0019	S GUGO02267		O-RING D. 44.12 X 2.62 NBR -70SH	1,00			--
0020	MECI40039		MICROSWITCH XG PS6	1,00			--
0021	MPVR40815		COVER PS6 BK.	1,00			--
0023	LAFN40886		PLUG "U" PS6	1,00			--
0024	S GUVR40070		ANTI-EXTR.RING D. 11.5X15.9X1.2	2,00			--
0025	S GUGO11225		O-RING D. 10.78 X 2.62 NBR 70SH	1,00			--
0026	PVVR40345		PUSH ROD VRT3	1,00			--
0027	VTVR40045		ELASTIC PLUG 3X14 UNI-EN28748	1,00			--
0028	S GUGO21638		O-RING D. 7.60 X 2.62 NBR 70SH	1,00			--
0029	S GUVR40071		ANTI-EXTR.RING D. 8 X 12.6	1,00			--
0030	PVVR40346		ROD GUIDE VRT3	1,00			--
0031	VTDD40011		NUT M 8 OT UNI EN 24035	2,00			--
0032	MLML40039		SPRING D. 5.7/20.7X56 31MPa	1,00			--
0033	VTRS00512		WASHER D. 8 X24 ZC.	1,00			--
0034	PVVR40347		KNOB VRT3-VHP	1,00			--
0035	VTDD00124		NUT M8 DIN985	1,00			--
0036	PVVR40476		CAP VRT3 31MPa	1,00			--
0037	PVVR40349		COUPLING VRT3	1,00			--
0038	MLML40026		SPRING VRT3	1,00			--
0039	S GUGO12321		O-RING D. 15.6 X 1.78 NBR 90SH	1,00			--
0040	PVVR40350		CONNECTOR VRT3 G 3/8F	1,00			--
0041	VTRS12254		WASHER D. 8X14X1.5	1,00			--
0042	PVVR40351		CAP EI G 3/8 VRT3 OT	1,00			--



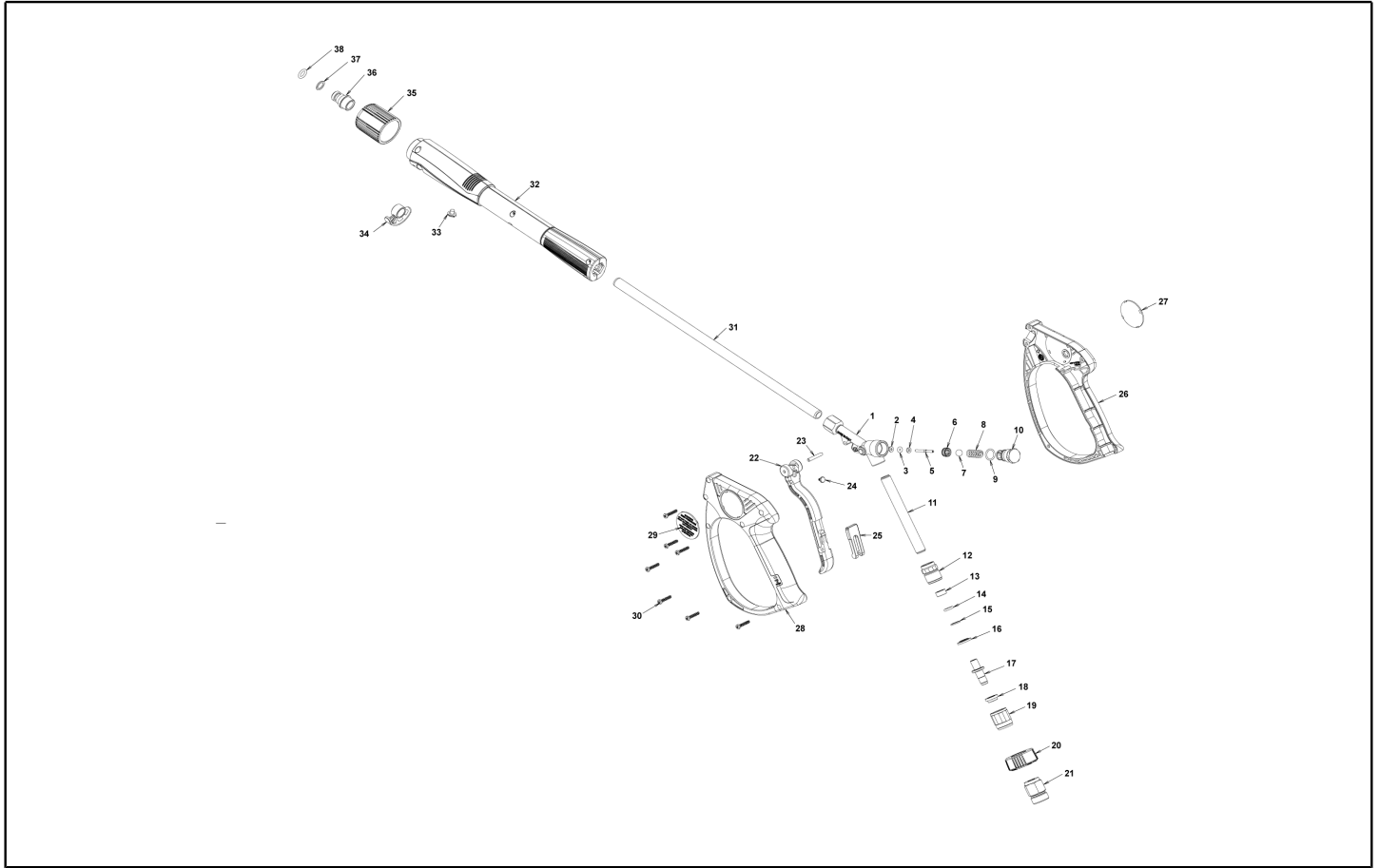
Ref. Part n.	Part n. 2	Description	Reference	Price
KTRI40401		KIT P 14-116 VRT3 +PS6 31MPa	0002 0003 0004 0005 0008 0009 0010 0014 0017 0019 0024 0025 0028 0029 0039	--



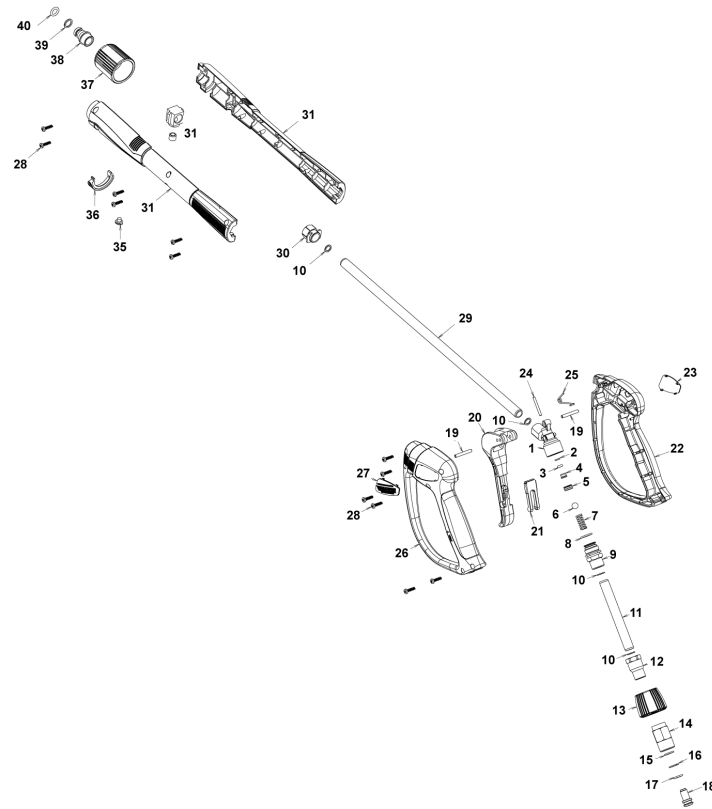
Ref. K	Part n.	Part n. 2	Description	Quantity	Validity		Price
					From	To	
0001	VTDD89669		NUT M 8 X1 AUT. INX A2	1,00			--
0002	MPVR40002		KNOB BP9 BK.	1,00			--
0003	VTDD88134		NUT M 8 BY-PASS BP91	1,00			--
0004	PVVR88140		SPRING PLATE BP91	1,00			--
0005	MLML40001		SPRING D.15.6 X27 L=51.5 250B.	1,00			--
0006	VTDD40000		NUT M 8 X1 UNI5588 INX A2	1,00			--
0008	GUGO11652		O-RING D. 12.42 X 1.78 NBR 70SH	1,00			--
0009	PVVR40016		PUSH ROD BP9 CP.	1,00			--
0010	PVVR88137		VALVE BODY BP91 RIT.3/8"F	1,00			--
0011	PVVR88139		CAP 3/8 M BP91	1,00			--
0012	PVVR88135		INSERT BY-PASS BP91	1,00			--
0013	PVVR40017		CONTROL PISTON BP9+SW.	1,00			--
0014	MLML40002		SPRING D. 7.3 X10.1 L=24.3 INX	1,00			--
0015	GUVR40004		ANTI-EXTR.RING D. 5.1X 7.9X1.5	1,00			--
0016	GUGO08071		O-RING D. 4.48 X 1.78 NBR 70SH	1,00			--
0017	VTRS00516		WASHER D. 5 INX	1,00			--
0018	GUGO03505		O-RING D. 15.6 X 1.78 NBR 70SH	2,00			--
0019	PVVR40018		VALVE GUIDE BP9	1,00			--
0020	GUGO40001		GASKET BP9	1,00			--
0021	MEPF40000		PRESSURE SWITCH BP9 -3F.	1,00			--
0022	VTDD00147		NUT M 4 INX U.5588	2,00			--
0023	VTVT27366		SCREW M 4X20 TCB T-CROCE INOX	2,00			--
0024	PVVR49636		SMALL PISTON BP91 C/OR	1,00			--
0025	MLML40004		SPRING BP 9	1,00			--
0026	PVVR49638		CONNECTOR BP91 3/8F	1,00			--



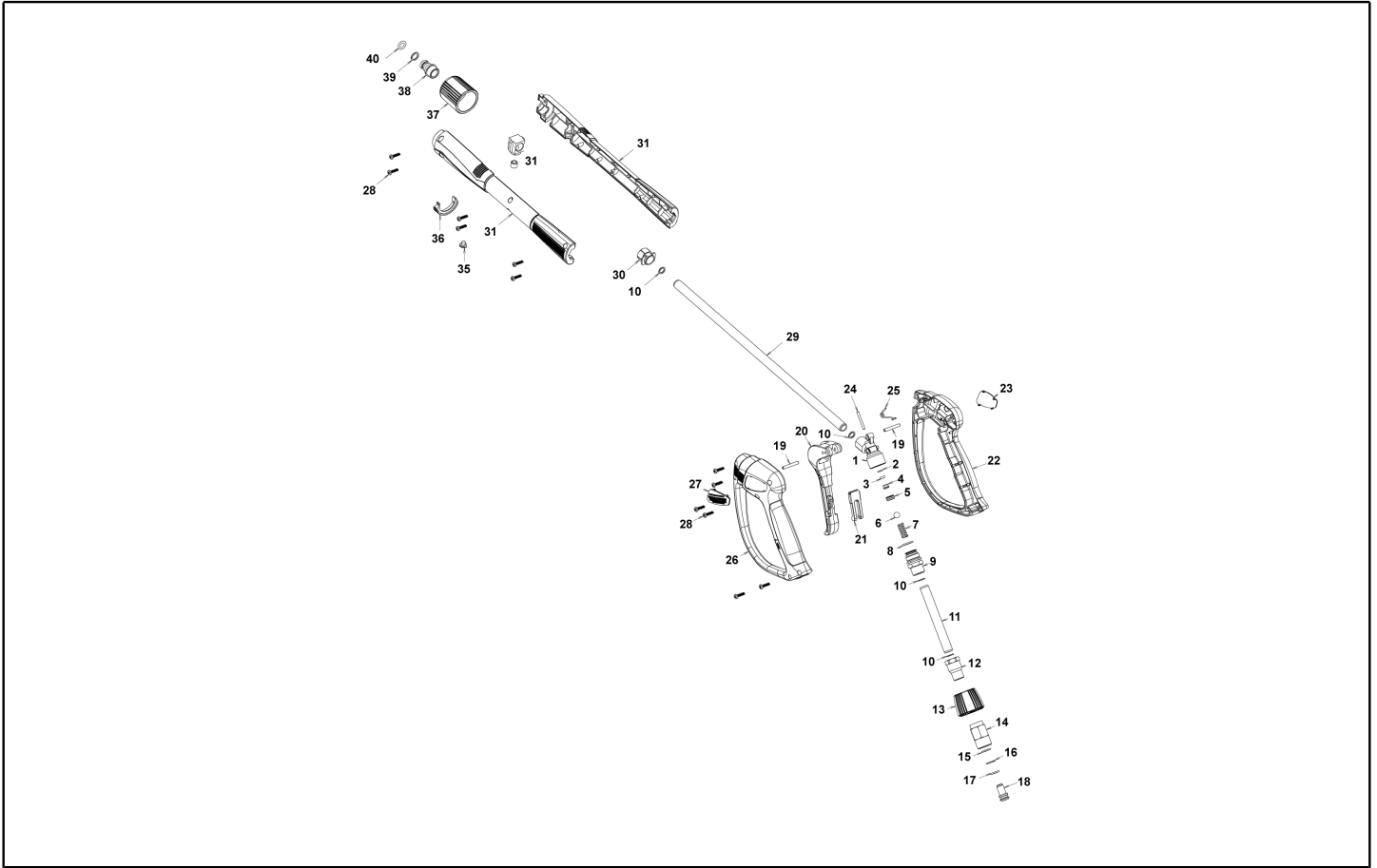
Ref. K	Part n.	Part n. 2	Description	Quantity	Validity		Price
					From	To	
0001	PVVR40402		GUN BODY G5000-V/2 G1/4F	1,00			--
0002	S GUGO17952		O-RING D. 2.84 X 2.62 NBR 70SH	1,00			--
0003	S GUGO21835		O-RING D. 2.84 X 2.62 VIT. 80SH	1,00			--
0004	S VTRS40024		WASHER D. 3 X 7 X1,5 OT	1,00			--
0005	S PVVR40404		SMALL PISTON G5000-V/2	1,00			--
0006	S PVVR40112		BALL SEAT G 5000	1,00			--
0007	S SFVR06779		BALL INOX 11/32	1,00			--
0008	MLML40016		SPRING D. 9.4 x21.5x1.6 G5000	1,00			--
0009	S GUGO21841		O-RING D. 12.42 X 1.78 NBR 90SH	1,00			--
0010	PVVR40113		CAP G 5000	1,00			--
0011	PVVR40405		TUBE G 1/4" L.115	1,00			--
0012	RCIN40024		CONNECTOR SWIV G5000-V/2 1/4F	1,00			--
0013	S PVVR40406		BUSHING G5000-V/2	1,00			--
0014	S PVVR40403		RING SW. G5000-V/2	1,00			--
0015	S GUVR40081		ANTI-EXTR.RING D.9 X13.2X1.2	1,00			--
0016	S PVVR40407		SPACER G5000-V/2	1,00			--
0017	S PVVR40408		PIN G5000-V/2	1,00			--
0018	S PVVR40409		BUSHING C/GRAD. G5000-V/2	1,00			--
0019	PVVR40410		NIPPLE G5000-V/2	1,00			--
0020	PVVR40411		KNOB SWIVEL G5000-V/2	1,00			--
0021	RCIN40025		CONNECTOR SWIV G5000-V/2 M22	1,00			--
0022	S MPVR40628		TRIGGER G5000-V/2	1,00			--
0023	S VTVR40008		PLUG D. 3 G5000	1,00			--
0024	S PVVR45053		PAWL G 2100 INX	1,00			--
0025	S MPVR40629		SAFETY-DEVICE G 5000-SW	1,00			--
0026	MPVR40630		SHELL G5000-V/2 DX	1,00			--
0027	MPVR40631		PLATE G5000-V/2	1,00			--
0028	MPVR40632		SHELL G5000-V/2 SX	1,00			--
0029	MPVR40633		PLATE G5000-V/2 SX	1,00			--
0030	VTVT62984		SCREW TC-CR M 4.2 X19 ZN	7,00			--
0031	LCPR40015		TUBE 1/4 L=370 ZC. 0°	1,00			--
0032	MPVR40195		PROTECTION P 370 MV	1,00			--
0033	MPVR40198		CAP G 5000	1,00			--
0034	MPVR40197		CAP G 5000 FIX.	1,00			--
0035	PVVR40119		CONNECTION M22X1,5 IRV G5000	1,00			--
0036	RCIN40009		GUIDGEON G 1/4 F IRV G5000	1,00			--
0037	GUVR40034		ANTI-EXTR.RING D. 10 X14	1,00			--
0038	GUGO40055		O-RING D. 9.19 X 2.62 - VIT.75	1,00			--



Ref. Part n.	Part n. 2	Description	Reference	Price
KTRI40287		KIT P 26- 29 OR SEDE G5000-V/2	0002 0003 0004 0005 0006 0007 0009	--
KTRI40285		KIT P 26- 27 SWIVEL G5000-V/2	0013 0014 0015 0016 0017 0018	--
KTRI40286		KIT P 26- 28 LEVA G5000-V/2	0022 0023 0024 0025	--

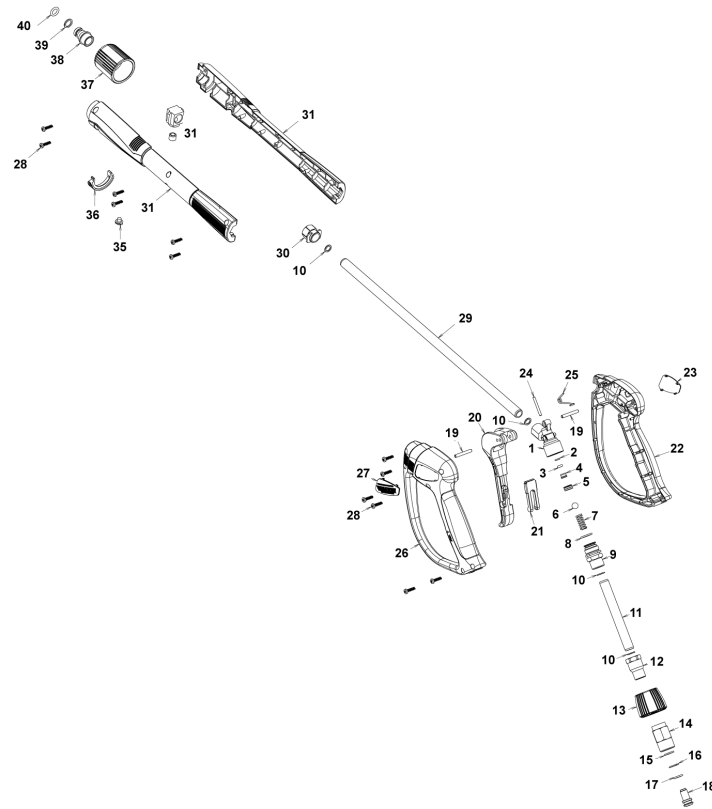


Ref. K	Part n.	Part n. 2	Description	Quantity	Validity		Price
					From	To	
0001	PVVR40381		GUN BODY G 5100 G1/4F	1,00			--
0002	S	GUVR40074	ANTI-EXTR.RING D. 3 X 7.4X1.3	1,00			--
0003	S	GUGO21835	O-RING D. 2.84 X 2.62 VIT. 80SH	1,00			--
0004		PVVR40382	PISTON GUIDE G 5100	1,00			--
0005	S	PVVR40112	BALL SEAT G 5000	1,00			--
0006	S	SFVR40002	BALL D.11/32" ALL GR16	1,00			--
0007		MLML40016	SPRING D. 9.4 x21.5x1.6 G5000	1,00			--
0008		GUGO12322	O-RING D. 14 X 1.78 NBR 90SH	1,00			--
0009		PVVR40383	CONNECTOR COLL.G5100 1/4F	1,00			--
0010		VTRS40017	WASHER D. 8.2X11,4X1.00	4,00			--
0011		PVVR40384	TUBE G 1/4" L.105	1,00			--
0012		RCIN40022	CONNECTOR SWIV G5100 1/4F	1,00			--
0013		MPVR40819	RING NUT G 5100 SW. BK.	1,00			--
0014		RCIN40021	JOINT SWIV 5100 M22	1,00			--
0015	S	GUVR40075	ANTI-EXTR.RING D. 10 X14X1.5	1,00			--
0016	S	GUVR40076	ANTI-EXTR.RING D. 11.2X14X1.2	1,00			--
0017	S	GUGO15295	O-RING D. 10.82 X 1.78 VIT 75SH	1,00			--
0018		PVVR40386	SCREW SW. G 5100	1,00			--
0019		VTVR40047	PLUG D. 4X29	2,00			--
0020		MPVR40820	TRIGGER G 6000-SW	1,00			--
0021		MPVR40821	SAFETY-DEVICE G 6000-SW	1,00			--
0022		MPVR40822	SHELL G 6000-SW DX	1,00			--
0023		MPVR40823	PLATE G 6000 GR.DX	1,00			--
0024		PVVR40387	SMALL PISTON G 5100	1,00			--
0025		MLML40029	SPRING G 5100	1,00			--
0026		MPVR40824	SHELL G 6000-SW SX	1,00			--
0027		MPVR40825	PLATE G 6000 GR.SX	1,00			--
0028		VTVT40043	SCREW AF 4X 14 HILO ZN.N	12,00			--
0029		LCPR40086	TUBE 1/4 L=420 ZC. 0°	1,00			--
0030		MPVR40493	CONNECTOR G 5100-SW	1,00			--
0031		MPVR40494	PROTECTION P 420 C/AN.	1,00			--
0035		MPVR40198	CAP G 5000	1,00			--
0036		MPVR40495	CAP G 5100 REM.	1,00			--
0037		PVVR40119	CONNECTION M22X1,5 IRV G5000	1,00			--
0038		RCIN40009	GUDGEON G 1/4 F IRV G5000	1,00			--
0039		GUVR40034	ANTI-EXTR.RING D. 10 X14	1,00			--
0040		GUGO01946	O-RING D. 9.13 X 2.62 VIT 70SH	1,00			--



Ref. Part n.	Part n. 2	Description	Reference	Price
KTRI40243		KIT P 26- 26 SWIVEL G 5100	0015 0016 0017	--
KTRI40414		KIT P 26- 34 G 6000	0002 0003 0005 0006	--

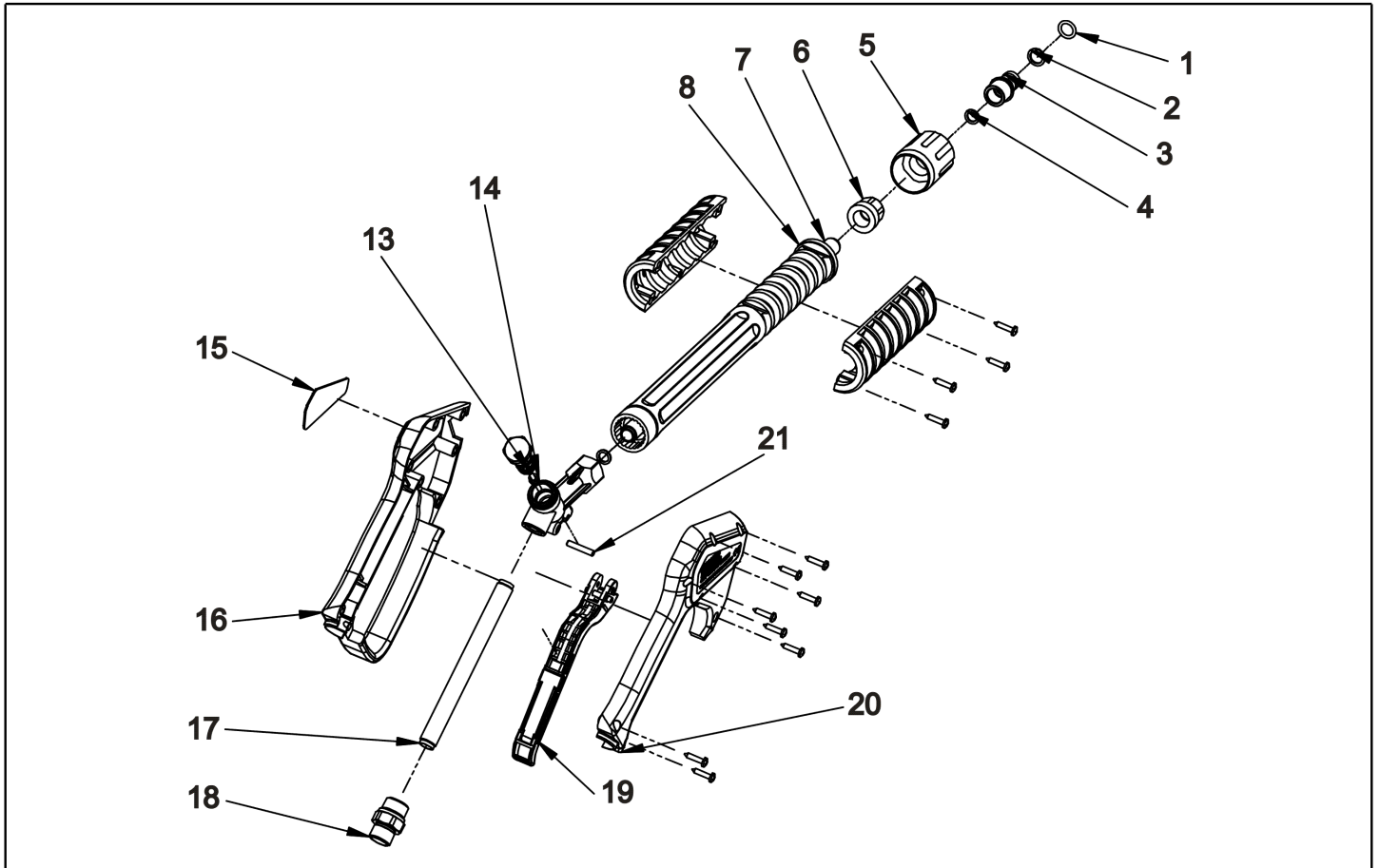




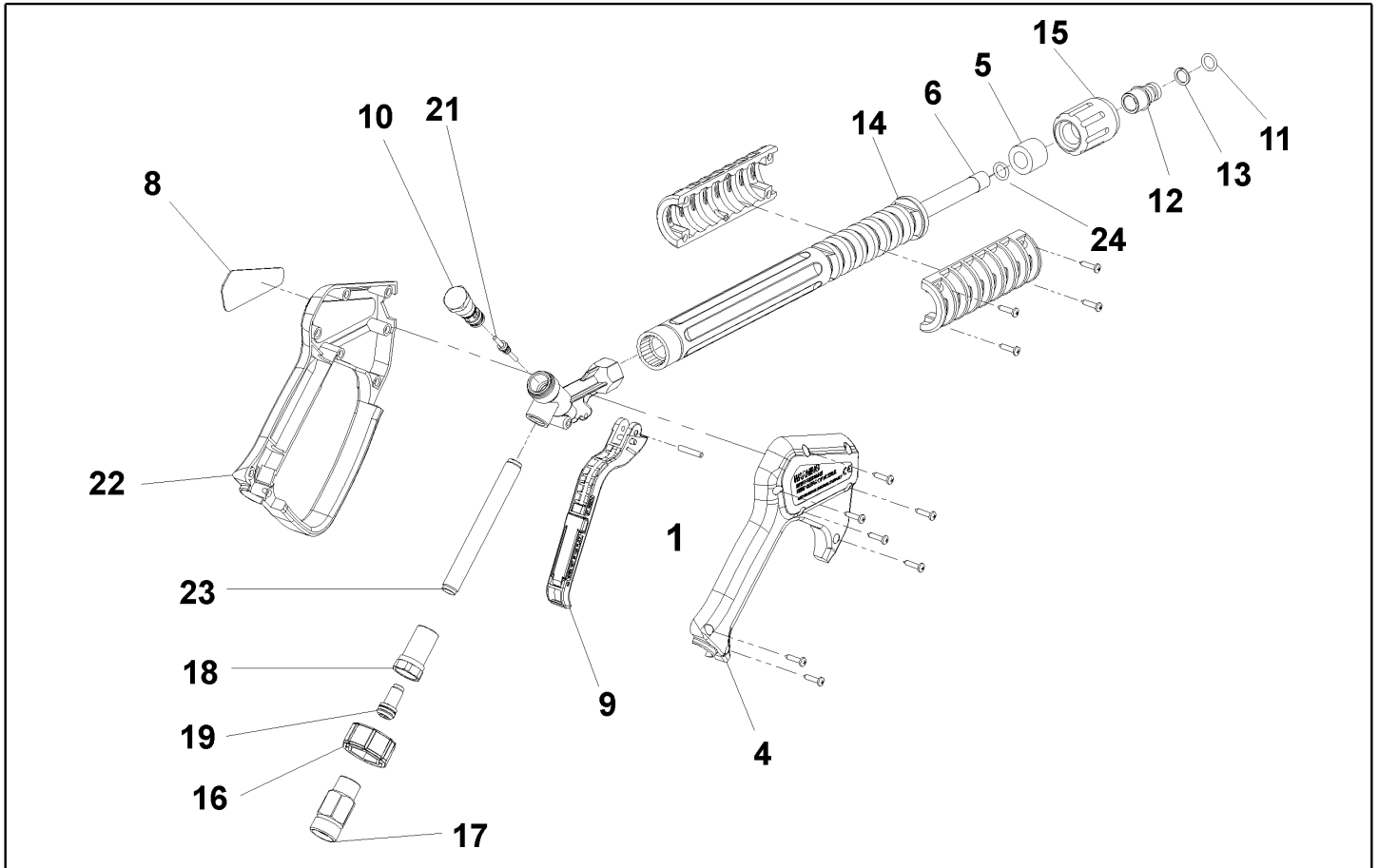
Ref. K	Part n.	Part n. 2	Description	Quantity	Validity		Price
					From	To	
0001	PVVR40381		GUN BODY G 5100 G1/4F	1,00			--
0002	S	GUVR40074	ANTI-EXTR.RING D. 3 X 7.4X1.3	1,00			--
0003	S	GUGO21835	O-RING D. 2.84 X 2.62 VIT. 80SH	1,00			--
0004		PVVR40382	PISTON GUIDE G 5100	1,00			--
0005	S	PVVR40563	BALL SEAT AL36 G6000 + OR	1,00			--
0006	S	SFVR40004	BALL D. 5/16" ALL.GR16	1,00			--
0007		MLML40047	SPRING D. 9.4 x23.5x1.6 G6000	1,00			--
0008		GUGO12322	O-RING D. 14 X 1.78 NBR 90SH	1,00			--
0009		PVVR40383	CONNECTOR COLL.G5100 1/4F	1,00			--
0010		VTRS40017	WASHER D. 8.2X11,4X1.00	4,00			--
0011		PVVR40384	TUBE G 1/4" L.105	1,00			--
0012		RCIN40022	CONNECTOR SWIV G5100 1/4F	1,00			--
0013		MPVR40967	RING NUT G 6000 SW. GR.	1,00			--
0014		RCIN40021	JOINT SWIV 5100 M22	1,00			--
0015	S	GUVR40075	ANTI-EXTR.RING D. 10 X14X1.5	1,00			--
0016	S	GUVR40076	ANTI-EXTR.RING D. 11.2X14X1.2	1,00			--
0017	S	GUGO15295	O-RING D. 10.82 X 1.78 VIT 75SH	1,00			--
0018		PVVR40386	SCREW SW. G 5100	1,00			--
0019		VTVR40047	PLUG D. 4X29	2,00			--
0020		MPVR40820	TRIGGER G 6000-SW	1,00			--
0021		MPVR40821	SAFETY-DEVICE G 6000-SW	1,00			--
0022		MPVR40822	SHELL G 6000-SW DX	1,00			--
0023		MPVR40968	PLATE G 6000/2 GR.DX	1,00			--
0024		PVVR40564	SMALL PISTON G 6000 AL36 SP.	1,00			--
0025		MLML40029	SPRING G 5100	1,00			--
0026		MPVR40824	SHELL G 6000-SW SX	1,00			--
0027		MPVR40825	PLATE G 6000 GR.SX	1,00			--
0028		VTVT40043	SCREW AF 4X 14 HILO ZN.N	12,00			--
0029		LCPR40181	TUBE 1/4 L=416 ZC. 0°	1,00			--
0030		MPVR40493	CONNECTOR G 5100-SW	1,00			--
0031		MPVR40494	PROTECTION P 420 C/AN.	1,00			--
0035		MPVR40198	CAP G 5000	1,00			--
0036		MPVR40495	CAP G 5100 REM.	1,00			--
0037		PVVR40119	CONNECTION M22X1,5 IRV G5000	1,00			--
0038		RCIN40048	GUDGEON G 1/4 F IRV G6000/2	1,00			--
0039		GUVR40034	ANTI-EXTR.RING D. 10 X14	1,00			--
0040		GUGO63555	O-RING D. 9.3 X 2,4 VIT 75SH	1,00			--



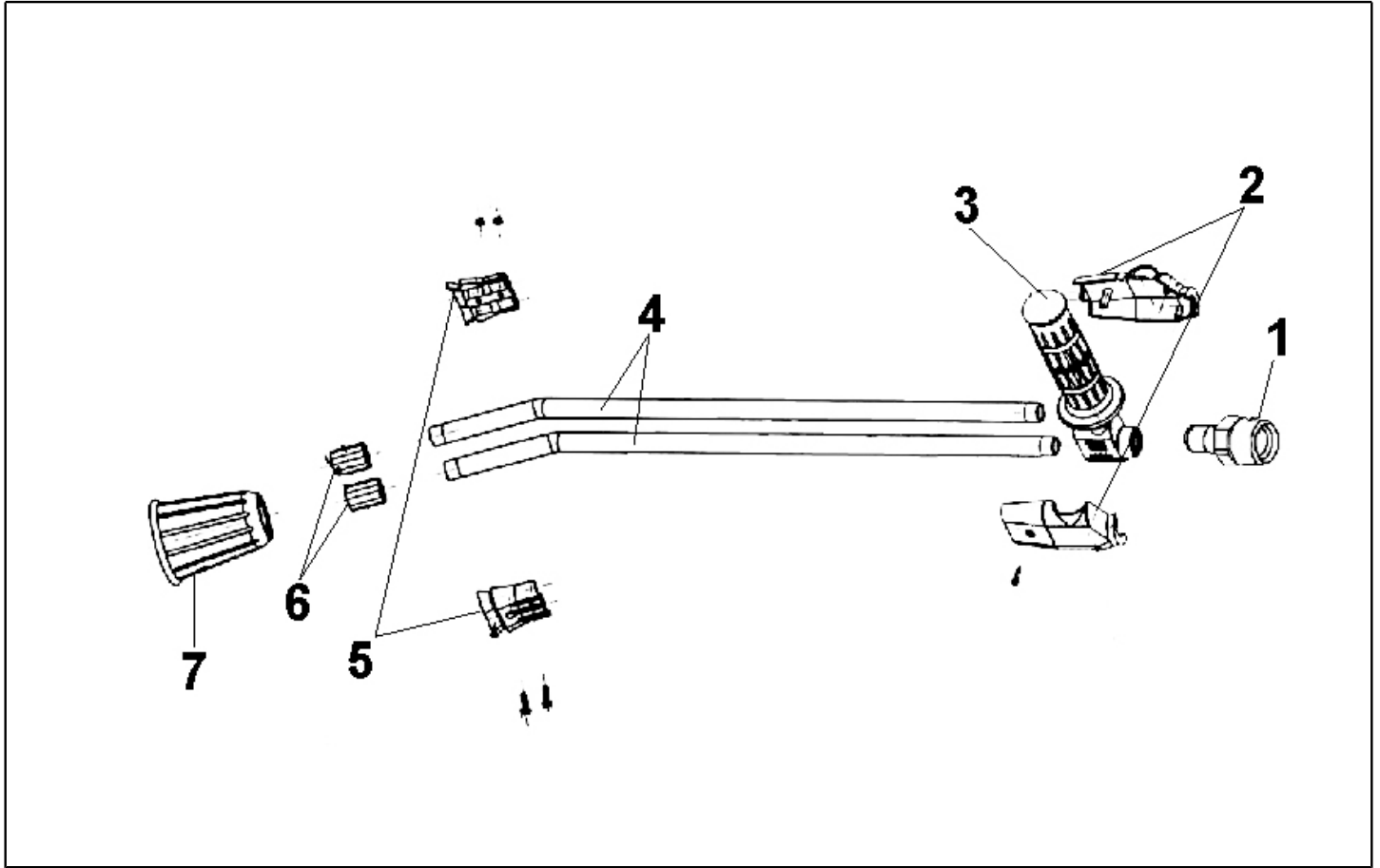
Ref. Part n.	Part n. 2	Description	Reference	Price
KTRI40243		KIT P 26- 26 SWIVEL G 5100	0015 0016 0017	--
KTRI40513		KIT P 26- 36 G 6000/II	0002 0003 0005 0006	--



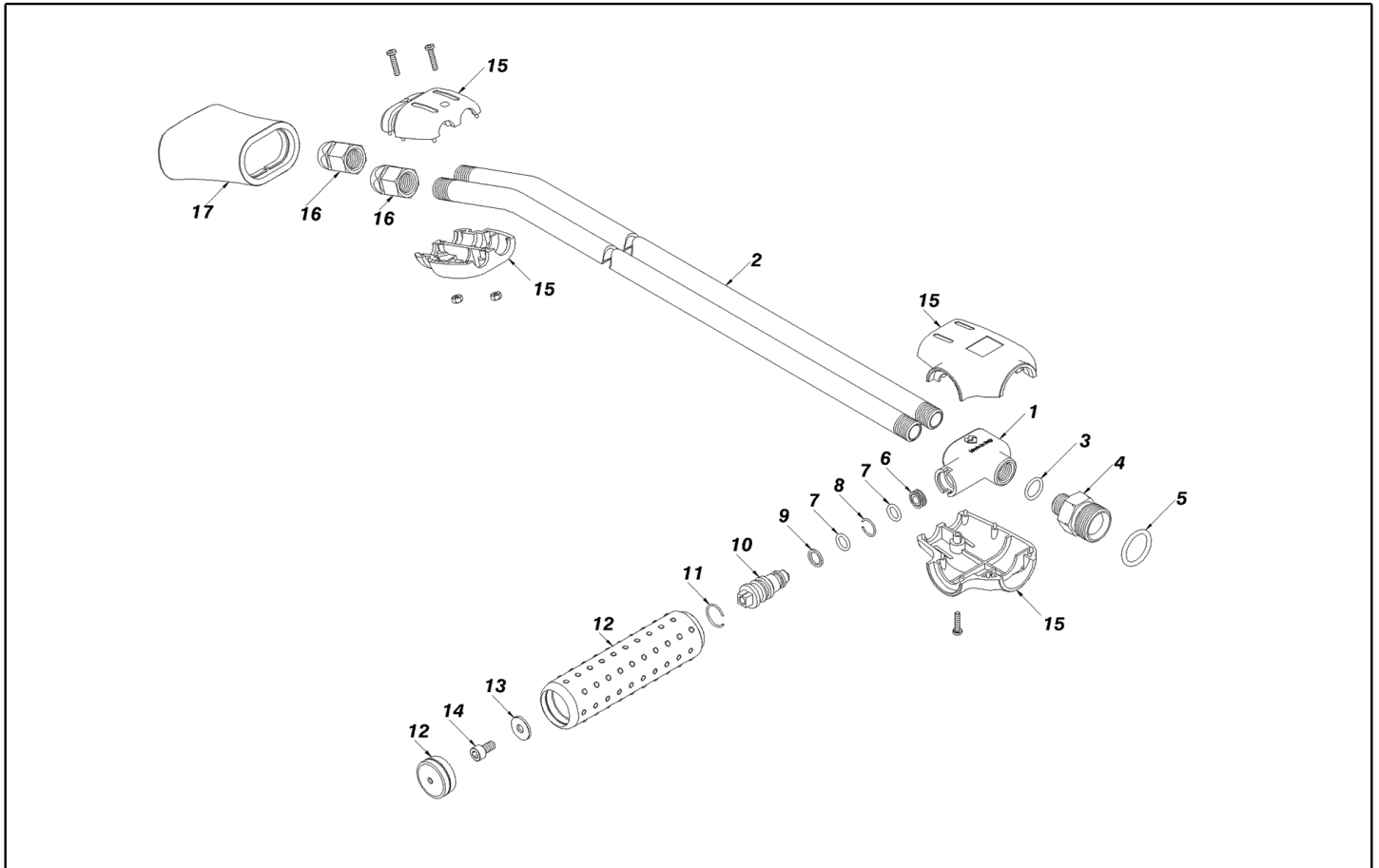
Ref. K	Part n.	Part n. 2	Description	Quantity	Validity		Price
					From	To	
0001	GUGO10384		O-RING D. 10 X 2.2 VIT 80SH	1,00			--
0002	GUVR10526		ANTI-EXTR.RING D.13.9X10.2 C.BZ	1,00			--
0003	RCVR40008		GUDGEON G 1/4 F ST2300	1,00			--
0004	VTRS04931		WASHER COPPER D.13X19X1.5	1,00			--
0005	PVVR13445		CONNECTION M 22X1,5 L=45	1,00			--
0006	VTDD40001		NUT G 1/4 PLS.	1,00			--
0007	LCPR40004		TUBE 1/4 L=350 ZC.	1,00			--
0008	MPVR46570		PROTECTION P 330 ST	1,00			--
0013	PVVR40030		SMALL PISTON TM ST-2300	1,00			--
0014	PVVR40031		ROD ST-2300	1,00			--
0015	MPVR46569		PLATE G 4500 RD.	1,00			--
0016	MPVR46562		SHELL G 4500	1,00			--
0017	PVVR40022		TUBE G 1/4" M/M	1,00			--
0018	RCDS40005		NIPPLE G 3/8 G 1/4F ST2300	1,00			--
0019	MPVR40057		TRIGGER G 4500 -SW	1,00			--
0020	MPVR46563		COVER G 4500	1,00			--
0021	VTVR46568		PLUG G 4500	1,00			--



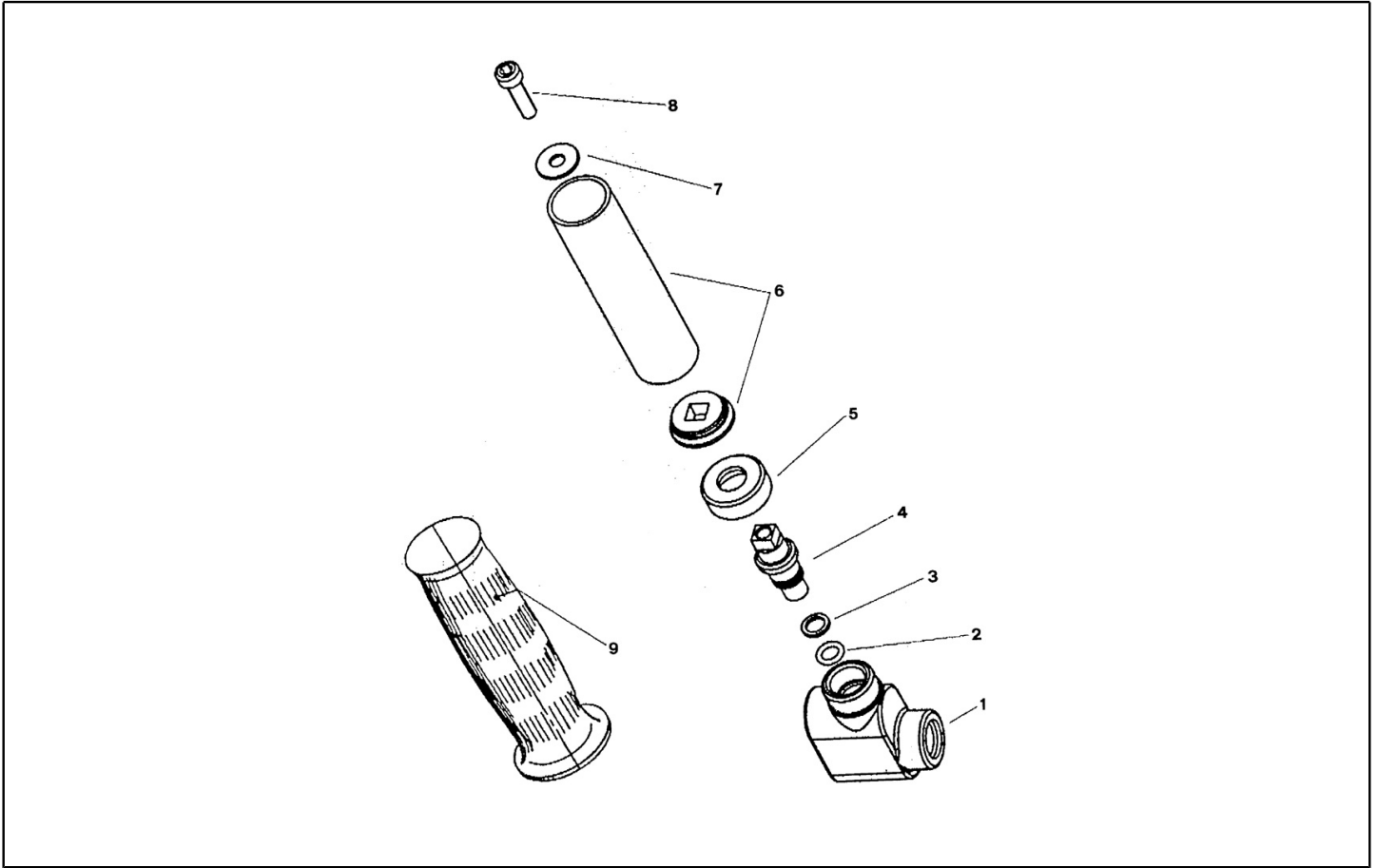
Ref. K	Part n.	Part n. 2	Description	Quantity	Validity		Price
					From	To	
0001	VTVR46568		PLUG G 4500	1,00			--
0004	MPVR46563		COVER G 4500	1,00		30/04/2008	--
0004	MPVR40157		COVER G 4500 2V.	1,00	01/05/2008		--
0005	MPVR46572		SPACER P 330 ST	1,00			--
0006	LCPR46571		TUBE 1/4 L=352 ZC.	1,00		30/04/2008	--
0006	LCPR40007		TUBE 1/4 L=352 ZC. 2V.	1,00	01/05/2008		--
0008	MPVR46569		PLATE G 4500 RD.	1,00			--
0009	MPVR40057		TRIGGER G 4500 -SW	1,00			--
0010	PVVR40030		SMALL PISTON TM ST-2300	1,00			--
0011	GUGO10384		O-RING D. 10 X 2.2 VIT 80SH	1,00			--
0012	RCVR13030		GUDGEON G 1/4 F L=31.5	1,00			--
0013	GUVR10526		ANTI-EXTR.RING D.13.9X10.2 C.BZ	1,00			--
0014	MPVR46570		PROTECTION P 330 ST	1,00			--
0015	PVVR13445		CONNECTION M 22X1,5 L=45	1,00			--
0016	MPVR40058		RING NUT G4500 SW.	1,00			--
0017	RCIN40001		JOINT SWIV 4500 3/8"F	1,00		30/04/2008	--
0017	RCIN40005		JOINT SWIV 4500 3/8"F 2V.	1,00	01/05/2008		--
0018	RCIN31641		CONNECTOR SWIV 1500 F	1,00			--
0019	KTRI31645		KIT P 26- 14	1,00			--
0021	PVVR40031		ROD ST-2300	1,00			--
0022	MPVR46562		SHELL G 4500	1,00		30/04/2008	--
0022	MPVR40156		SHELL G 4500 2V.	1,00	01/05/2008		--
0023	PVVR40023		TUBE G 1/4" M/M P/SW.	1,00			--
0024	GUGO27021		O-RING D. 11 X 2.5 EPD 70SH	1,00	01/05/2008		--



Ref. K	Part n.	Part n. 2	Description	Quantity	Validity		Price
					From	To	
0001	PVVR45296		COUPLING G 1/4M -M22 M +PR.PLS	1,00			--
0002	MPVR45214		PROTECTION TB.1/4 MTM	1,00			--
0003	RCGR45737		TAP 1/8 F LD MTM	1,00			--
0004	LCPR45740		TUBE 1/8 L=660 INOX MTM	2,00			--
0005	MPVR45001		SHELL LD MTM	1,00			--
0006	RCVR45741		NOZZLE HOLDER 1/4-1/8 F MTM	2,00			--
0007	PVVR43810		PROTECTION L.D. MTM	1,00			--



Ref. K	Part n.	Part n. 2	Description	Quantity	Validity		Price
					From	To	
0001	RCGR40000		TAP BODY L.DOP. 1/4" MV INX	1,00			--
0002	LCPR40000		TUBE 1/4 L=700 CROM.	2,00		30/11/2009	--
0002	LCPR40107		TUBE 1/4 L=700 INX.	2,00	01/12/2009		--
0003	GUGO19194		O-RING D. 11.11 X 1.78 NBR 70SH	1,00		30/09/2010	--
0003	VTRS04931		WASHER COPPER D.13X19X1.5	1,00	01/10/2010		--
0004	RCIN46781		MALE COUPLING MV 1/4 -M 22 M	1,00			--
0005	GUGO01056		O-RING D. 18.72 X 2.62 NBR 70SH	1,00			--
0006	PVVR40019		BUSHING MV LD	1,00			--
0007	GUGO06988		O-RING D. 7.66 X 1.78 NBR 70SH	2,00			--
0008	PVVR40020		CIRCLIP LD MV D. 8	1,00			--
0009	GUGO40002		ANTI-EXTR.RING D. 8 NBR	1,00			--
0010	PVVR40021		REGULAT. SCREW LD MV INX	1,00			--
0011	PVVR46783		CIRCLIP LD MV	1,00			--
0012	PVVR46784		KNOB LD MV +CAP	1,00			--
0013	VTRS15958		WASHER UNI 6592 5X15X1,5 ZB	1,00			--
0014	VTVT17639		SCREW TCEI M 5X10 UNI 5931	1,00			--
0015	MPVR46786		PROTECTION LD/TB MV	1,00			--
0016	RCVR46787		NOZZLE HOLDER 1/4-1/4 F MV	12,00			--
0017	PVVR46788		PROTECTION LD MV	1,00			--



Ref. K	Part n.	Part n. 2	Description	Quantity	Validity		Price
					From	To	
0001	RCGR41556		TAP BODY L.DOP. 1/8" MTM	1,00		08/03/2010	--
0001	PVVR40132		VALVE BODY L.DP 1/4F-1/8FF CP.	1,00	09/03/2010		--
0002	GUGO10330		O-RING D. 6.07 X 1.78 VIT 70SH	1,00		08/03/2010	--
0003	GUVR41551		ANTI-EXTR.RING SR 010	1,00		08/03/2010	--
0004	PVVR41553		SMALL PISTON L.DP. MTM	1,00		08/03/2010	--
0005	PVVR41555		RING NUT L.DOP. MTM	1,00		08/03/2010	--
0006	LAFN41552		PIPE D. 22 MTM	1,00			--
0007	VTRS15958		WASHER UNI 6592 5X15X1,5 ZB	1,00			--
0008	VTVT17639		SCREW TCEI M 5X10 UNI 5931	1,00			--
0009	MPVR41554		KNOB D. 22 MTM	1,00			--