



**IPC Integrated Professional Cleaning**

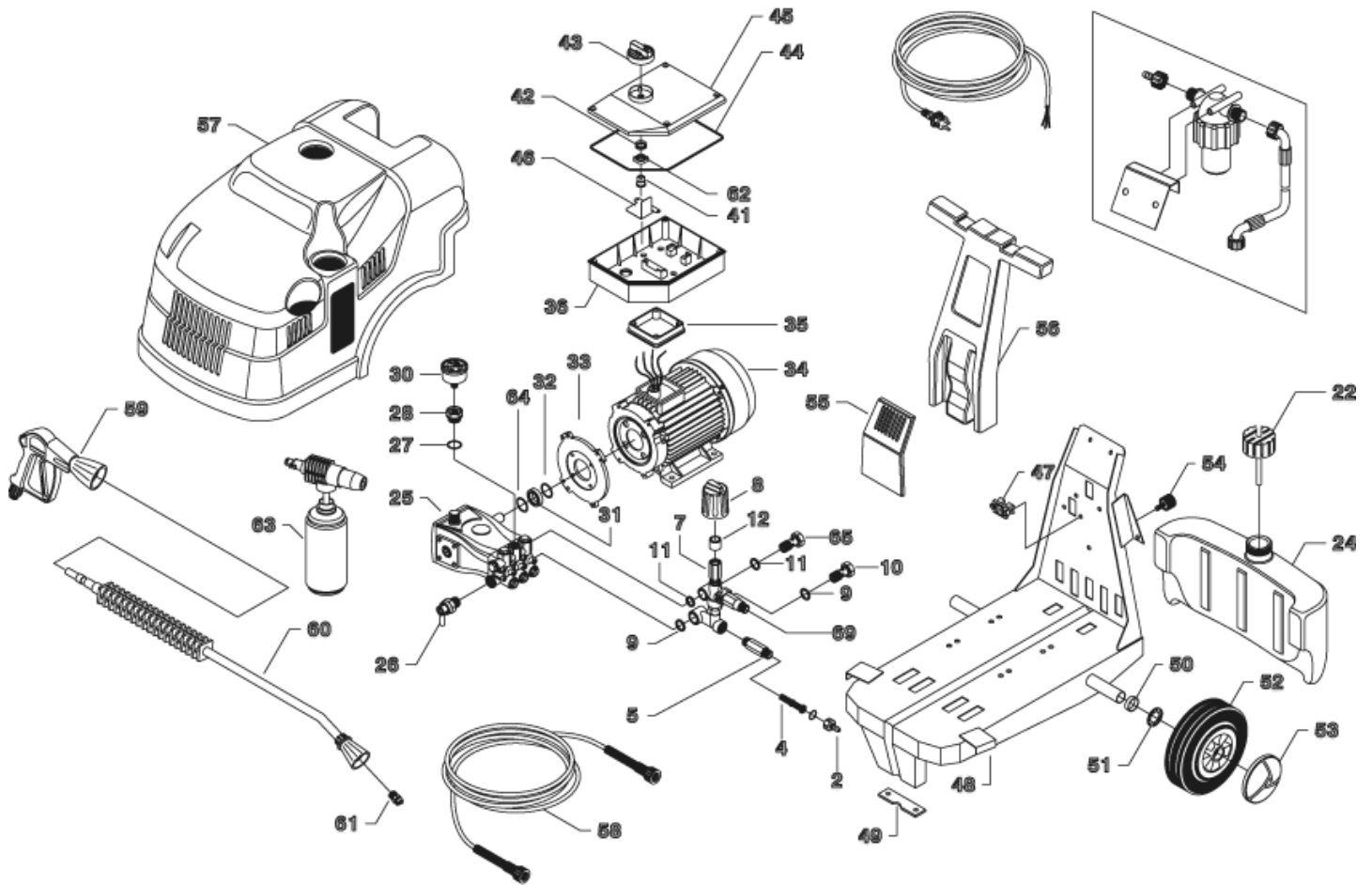
**IPC** Portotecnica

## Spare Parts List

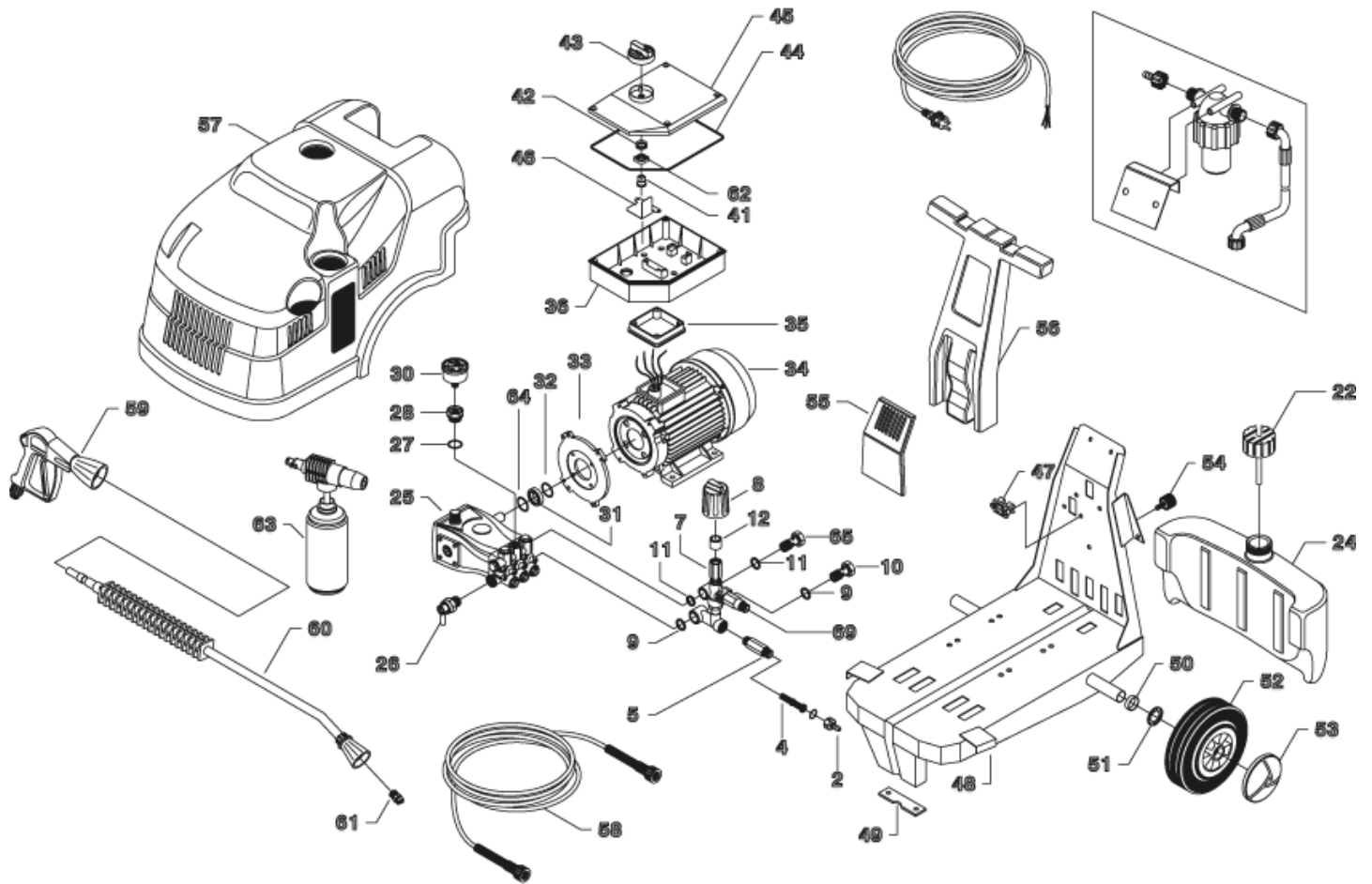
MEDIACOM

Ref: IDAF40194

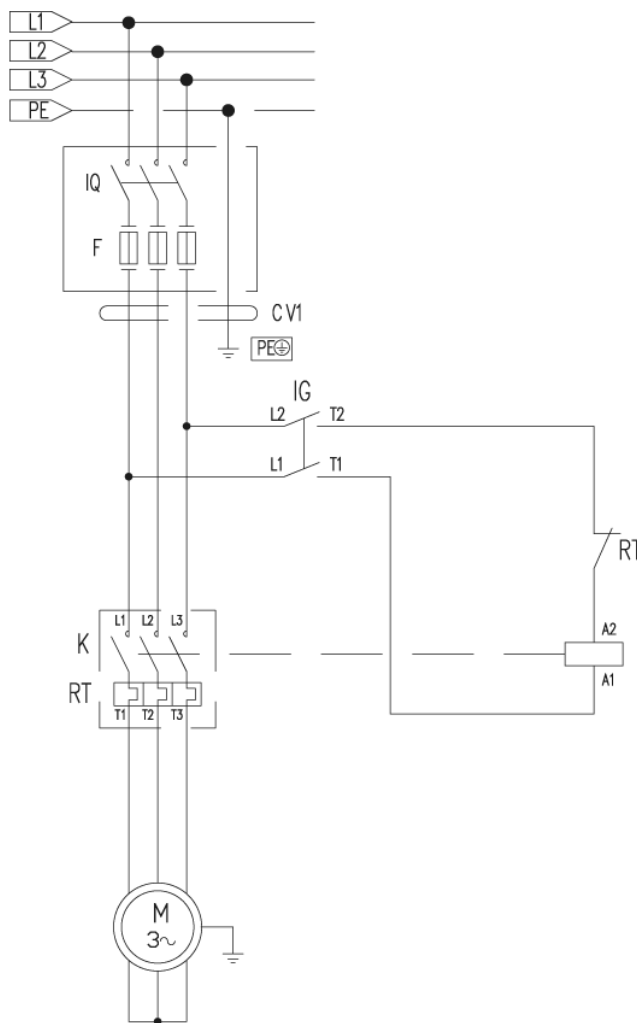
Model: IDROP N.ROYAL      3160 T 400/50 3-01PRS



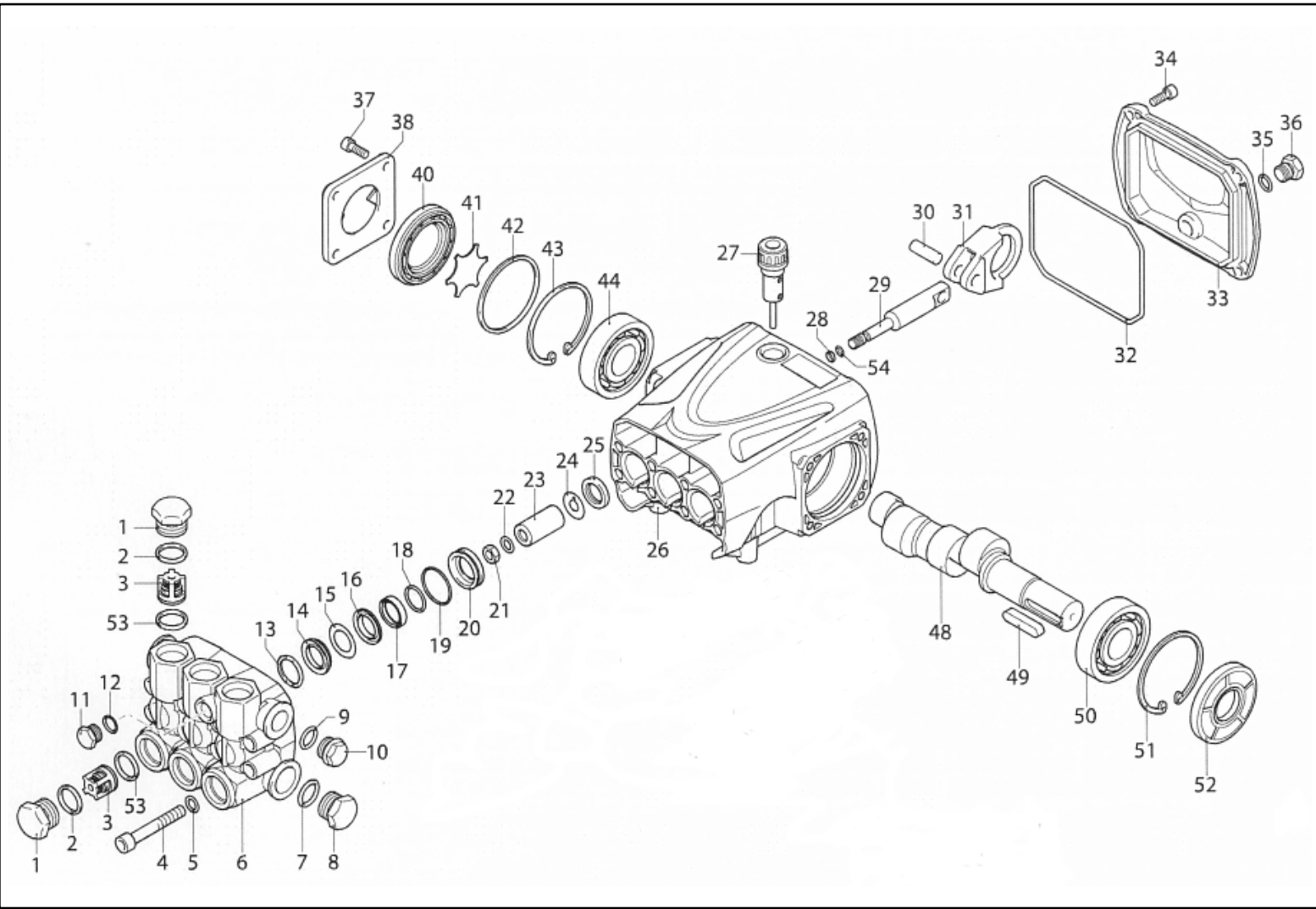
Ref. K	Part N.	Customer Part N.	Description	Qty	Validity:		Price
					From	To	
0002	RCVR29600		SOCKET PTC 3/4 F	1,00			--
0004	FTAC30214		FILTER D.15X67	1,00			--
0005	RCDS40102		NIPPLE 3/4 - 1/2 RYL +ARG.INX	1,00			--
0007	VVAZ40017		VALVE MV 625 AR-R AF S/I.RG.	1,00		09/2011	--
0007	VVAZ40019		VALVE MV 625 AR-R AF S.I.R.M22	1,00	09/2011	09/2012	--
0007	VVAZ40032		VALVE VRF-2 AR-R AF S.I.R.M22	1,00	10/2012		--
0008	MPVR09436		BLACK KNOB ST 260	1,00			--
0009	GUGO01048		O-RING D. 15.88 X 2.62 NBR 70SH	2,00	07/2013		--
0009	VTRS00549		WASHER D.21,5X27X1.5 (1/2) RM	2,00		07/2013	--
0009	VTRS12491		WASHER 1/2	1,00	07/2013		--
0010	RCDS40064		SCREW G 1/2 L=48.5 INX	1,00		07/2013	--
0010	RCDS40171		SCREW G 1/2 VRF-2 OT. 2F.	1,00	07/2013		--
0011	GUGO03510		O-RING D. 12.37 X 2.62 NBR 70SH	2,00	07/2013		--
0011	VTRS00548		WASHER D.17,5X23X1,5 (3/8)RM	2,00		07/2013	--
0011	VTRS12492		WASHER 3/8	1,00	07/2013		--
0012	PVVR40273		ADAPTER VRF-2 RG.	1,00	10/2012		--
0022	MPVR11192		TANK CAP FLL	1,00			--
0024	MPVR27424		DETERGENT TANK MITHO PLUS	1,00			--
0025	PPAP40058		PUMP RR 15.20 DX N	1,00			--
0026	VVSC40550		VALVE 1/2" 56°C	1,00			--
0027	GUGO03502		O-RING D. 17.86 X 2.62 NBR 70SH	1,00			--
0028	PVVR40175		CAP AR RR C/F. 1/8F+OR	1,00			--
0030	MNMN18650		PRESSURE GAUGE 0-300 D.40	1,00			--
0031	RCDS25578		BUSHING IP WW141 OT.	1,00			--
0032	GUGO21339		O-RING D. 29.82 X 2.62 VIT 70SH	1,00			--
0033	MFVR21309		COUNTERFLANGE MEC 90-100-112	1,00			--
0034	MOTR40027		3PH MOTOR NRJ HP7.5 23-400/50C RR/K	1,00			--
0035	MPVR13033		SPACER SIC H90	2,00			--
0036	MPVR32493		CONTROL BOX N.ROY. DS ABS	1,00	03/2013		--
0041	MPVR10083		TAIL PIECE OKA L=22	1,00		03/2013	--
0041	MPVR23482		TAIL PIECE TEC. TUV	1,00	03/2013		--
0042	GUGO23079		V-SEAL RING VA0014 13.5- 15.5	1,00		03/2013	--
0042	GUGO25527		O-RING D. 14 X 3 NBR 70SH	1,00	03/2013		--
0043	MPVR10084		SWITCH KNOB O.K.A.	1,00			--
0044	GUGO07913		RIBBON 20X8	0,06	03/2013		--
0044	GUGO33675		JOINT MOUSSE D. 4	0,65	03/2013		--
0044	GUGO33675		JOINT MOUSSE D. 4	0,65		03/2013	--
0045	MPVR32494		BOX COVER N.ROY.DS ABS	1,00	03/2013		--
0045	MPVR32494		BOX COVER N.ROY.DS ABS	1,00		03/2013	--



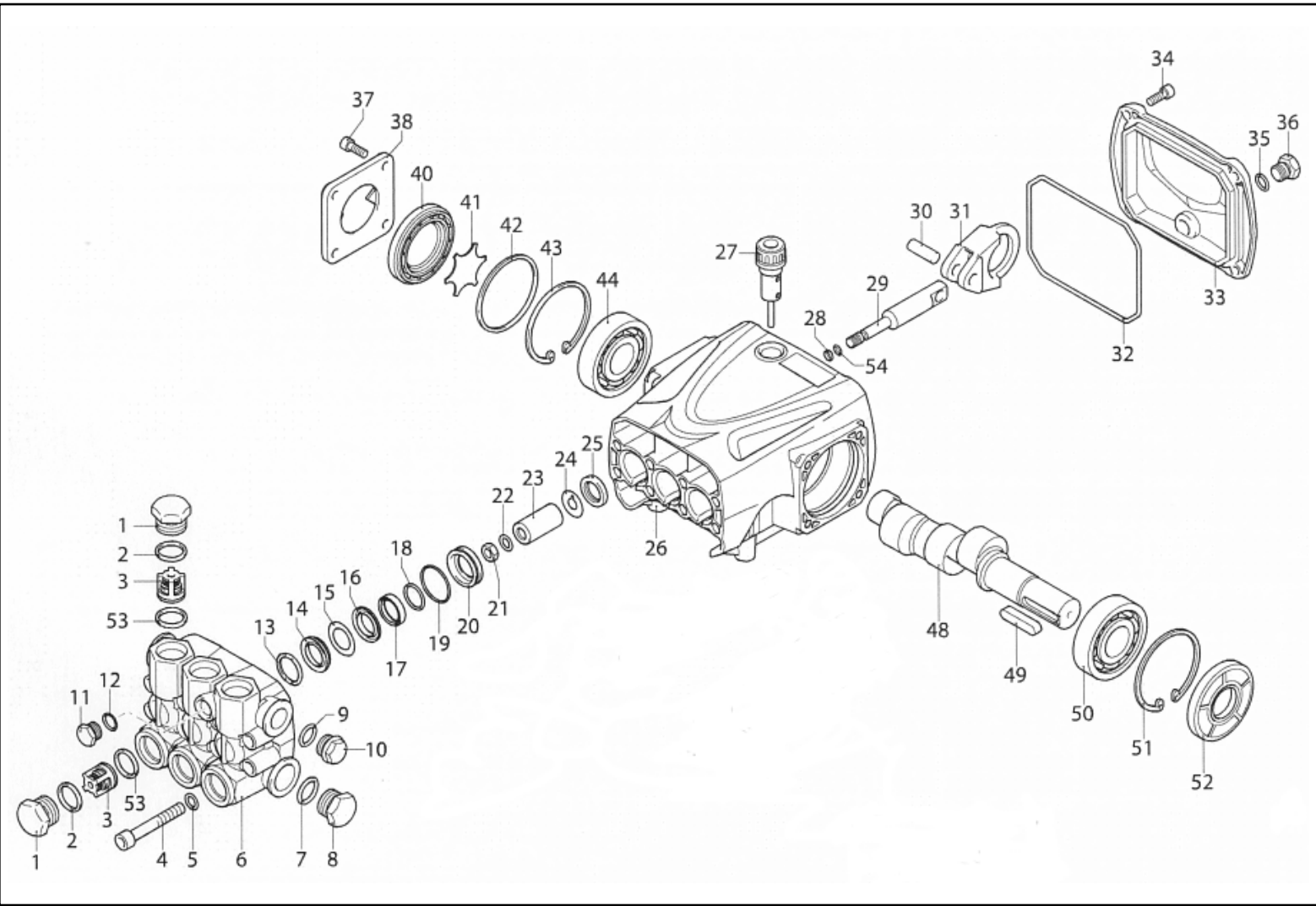
Ref.	K	Part N.	Customer Part N.	Description	Qty	Validity:		Price
						From	To	
0045		MPVR40415		BOX COVER N.ROY.DS ABS 2V.	1,00	03/2013		--
0046		LAFN40532		SUPPORT N.ROYAL DS INX	1,00	07/2013		--
0047		MEVR33994		CABLE FASTNER 4228 B D. 6- 18	1,00			--
0048		LAFN29444		CHASSIS ROYAL J.	1,00			--
0049		MPVR10079		FOOT SUPPORT N S.JET	1,00			--
0050		MPVR29447		SPACER D. 26-30 L=10 PVC	2,00			--
0051		VTRS09813		WASHER D.25	2,00			--
0052		RTRT40002		WHEEL D.260 3.00-4 D.25 S.PI.NY	2,00			--
0053		MPVR28995		GREY HUB CAP D. 110	2,00			--
0054		ABGO06511		VIBRATION DAMP.25X17- 1M6X18 55SH NBR	1,00			--
0055		MPVR27836		CONTROL COVER ELT	1,00			--
0056		MPVR27278		HANDLE ELITE	1,00			--
0057		MPVR31971		RED COVER N.ROYAL JET	1,00			--
0058		TBAP25324		H.P. HOSE R1 MT 10 5/16" C/2 IRV ZC	1,00			--
0059		IPIP40006		GRIP G 5100+AT.RAP.AR3-K +SW.M	1,00			--
0060		LCLC40004		LANCE SF-IX/PU 700 +AR3-K +1/4F	1,00			--
0061		UGLN49991		NOZZLE LECH 1/4 2504	1,00			--
0062		MPVR23487		THICKNESS THERM. - INT. TUV	1,00	03/2013		--
0064		GUGO21337		O-RING D. 25.07 X 2.62 VIT 70SH	1,00			--
0065		RCDS40096		SCREW G 3/8 L=48.5 INX	1,00		07/2013	--
0065		RCDS40172		SCREW 3/8 VRF-2 OT 4F.	1,00	07/2013		--
0069		RCIN09348		MALE COUPLING 3/8MA L=32	1,00		09/2011	--



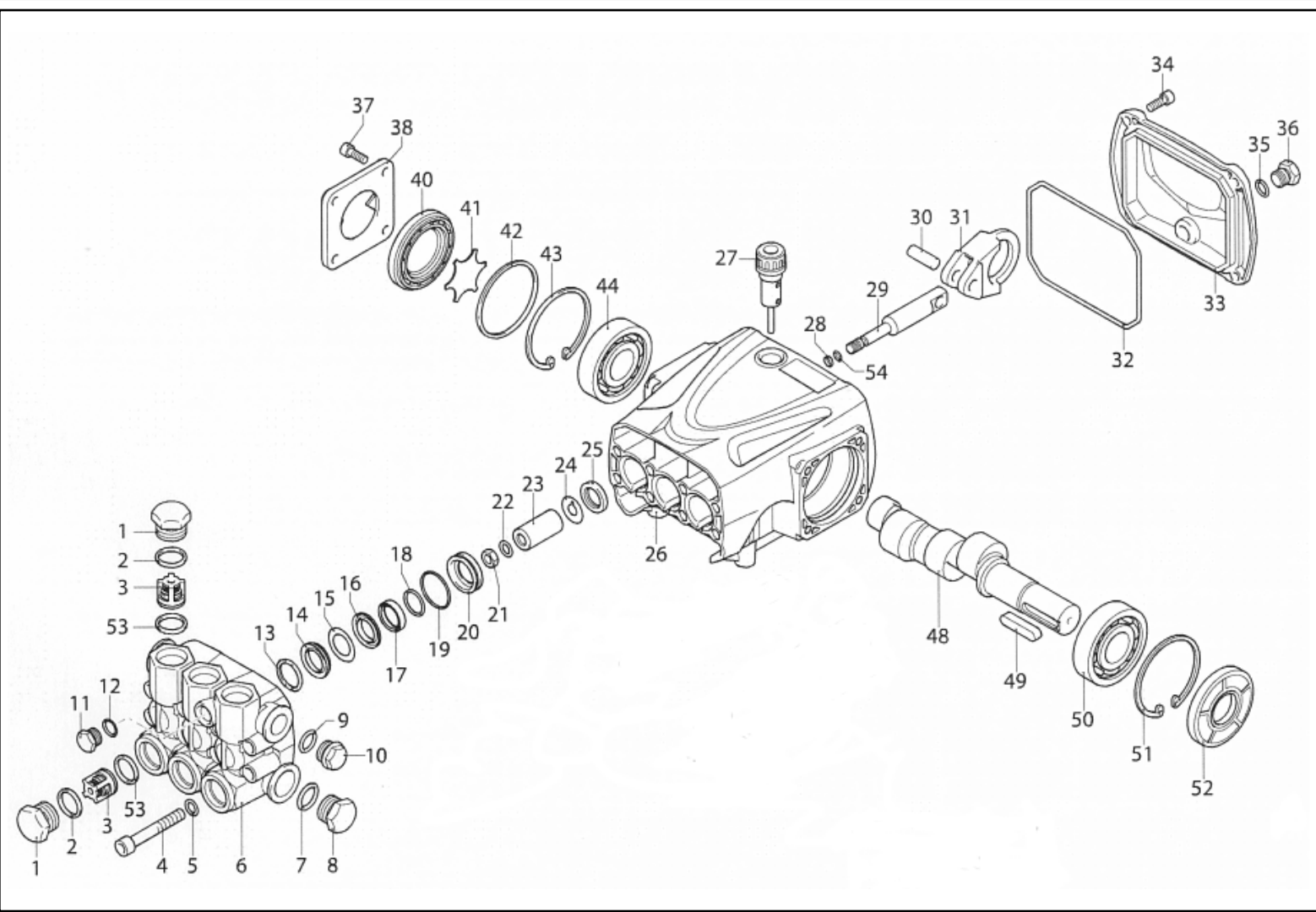
Ref.	K	Part N.	Customer Part N.	Description	Qty	Validity:		Price
						From	To	
K		METT40013		CONTACTOR SIE 3RT 2017-1AV01 400V	1,00	03/2013		--
IG		MECI08294		SWITCH O.K.N. 10-16 A	1,00		03/2013	--
IG		MECI40027		SWITCH BRM BP. 0-1 12A A.60°	1,00	03/2013		--
RT		METT40035		THERMAL RELAY SIE 3RU2116-4AB0 11-16 A	1,00	03/2013		--
CV1		MECB26015		CABLE 4X2.5 H07 RNF L=5.500	1,00	03/2013		--



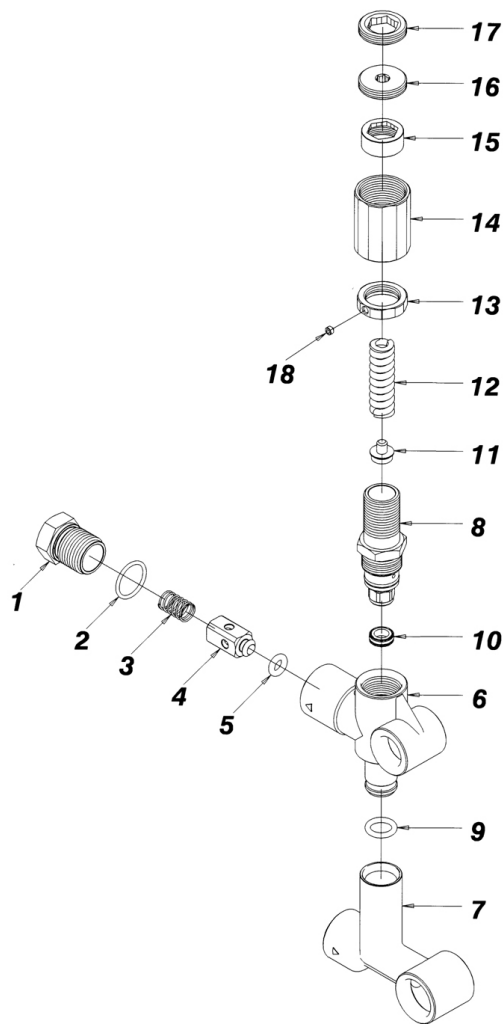
Ref.	K	Part N.	Customer Part N.	Description	Qty	Validity:		Price
						From	To	
0001		PVVR40161		CAP AR RR	6,00			--
0002		GUGO03502		O-RING D. 17.86 X 2.62 NBR 70SH	6,00			--
0003	S	VVAM40003		VALVE UNIT RR	6,00			--
0004		VTVT63018		SCREW TCEI M 8X55 ZC U.5931	8,00			--
0005		VTRS00504		WASHER D. 8 TE ZC. UNI 6592	8,00			--
0006		MFVR40028		HEAD AR RR OT.	1,00			--
0007		GUGO19245		O-RING D. 17.5 X 2 NBR 70SH	1,00			--
0008		PVVR40121		CAP 1/2 M RC	1,00			--
0009		GUGO09720		O-RING D. 14 X 1.78 NBR 70SH	1,00			--
0010		PVVR40099		CAP 3/8 M HRM	1,00			--
0011		PVVR40129		CAP 3/8 M RC	1,00			--
0012		GUGO01036		O-RING D. 10.82 X 1.78 NBR 70SH	1,00			--
0013	S	PVVR40122		HEAD RING D. 18 RC	3,00			--
0014	S	GUVR40035		PACKING D. 18 RC H.P.	3,00			--
0015	S	GUVR40043		ANTI-EXTR.RING D.18X28	3,00			--
0016	S	PVVR40162		INTERMED. RING D. 18 RR	3,00			--
0017	S	GUVR40036		PACKING D. 18 RC L.P.	3,00			--
0018	S	GUVR40037		ANTI-EXTR.RING D.20	3,00			--
0019	S	GUGO19290		O-RING D. 23.52 X 1.78 NBR 70SH	3,00			--
0020	S	PVVR40163		PACKING RETAIN.D. 18 RR	3,00			--
0021		VTDD00483		NUT M 8 ZIN UNI 5588	3,00			--
0022		VTRS19394		WASHER D. 8X13X0.5	3,00			--
0023	S	PIVR40007		PISTON D.18 RR	3,00			--
0024		PVVR19233		DISC XTS	3,00			--
0025	S	GUGO09690		OIL SEAL 15X 24X 5 NBR70	3,00			--
0026		MFVR40030		PUMP CRANKCASE AR RR	1,00			--
0027		PVVR19231		OIL CAP XTS	1,00			--
0028		GUGO08071		O-RING D. 4.48 X 1.78 NBR 70SH	3,00			--
0029		PVVR40176		PISTON GUIDE RR	3,00			--
0030		PVVR40178		GUDGEON D. 9 RR	3,00			--
0031		BLVR40002		CONNECTING ROD RR	3,00			--
0032		GUGO40017		O-RING D. 107.62 X 2.62 NBR 70SH	1,00			--
0033		MFVR40029		CRANKCASE COVER AR RR	1,00			--
0034		VTVT09913		SCREW TCEI 6X16 UNI5931	4,00			--
0035		GUGO01036		O-RING D. 10.82 X 1.78 NBR 70SH	1,00			--
0036		PVVR40129		CAP 3/8 M RC	1,00			--
0037		VTVT09913		SCREW TCEI 6X16 UNI5931	4,00			--
0038		MFVR40021		CRANKCASE COVER AR RC LT.	1,00			--
0040		PVVR40179		OIL INDICATOR RR	1,00			--



Ref.	K	Part N.	Customer Part N.	Description	Qty	Validity:		Price
						From	To	
0041		PVVR40125		DISC RC	1,00			--
0042		GUGO09030		O-RING 56X82 X2.62 - NBR	1,00			--
0043		VTAE10405		CIRCLIP D. 62 UNI 7437	1,00			--
0044		CUVR09654		BALL BEARING 6305	1,00			--
0048		ALMO40012		SHAFT AR RR 15LT VRS. N	1,00			--
0049		VTVR41531		KEY 8X 7X35 UNI 6604A	1,00			--
0050		CUVR09654		BALL BEARING 6305	1,00			--
0051		VTAE10405		CIRCLIP D. 62 UNI 7437	1,00			--
0052	S	GUGO40018		OIL SEAL 25X 62X 8 NBR70	1,00			--
0053	S	GUGO02259		O-RING D. 15.54 X 2.62 NBR 70SH	6,00			--
0054		GUVR40044		ANTI-EXTR.RING D. 5 X 8 X1	3,00			--

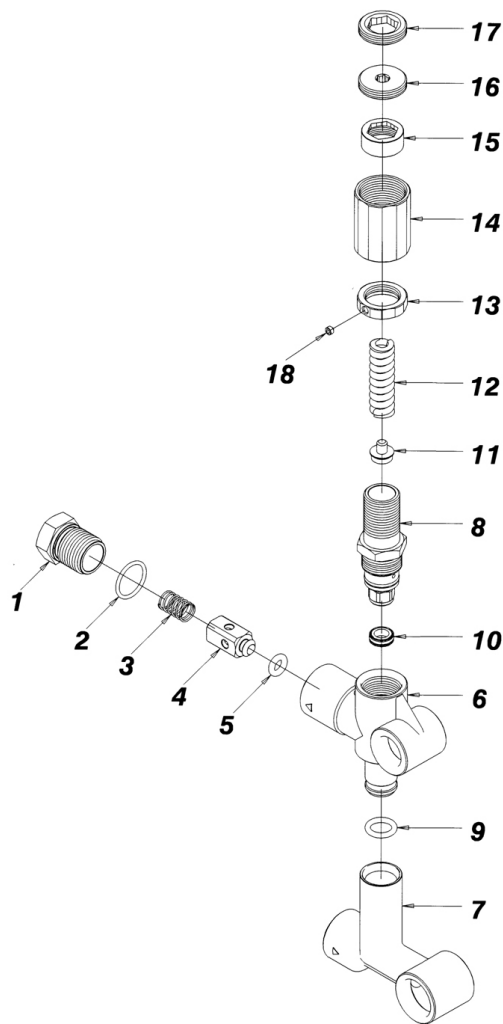


Ref. Part N.	Cust. Part N.	Description	Reference	Price
KTRI40095	KIT P	15-2745 D.18 RC	0013	--
KTRI40142	KIT P	15-2864 RR	0003 0053	--
KTRI40143	KIT P	15-2746 D.18 RR	0023	--
KTRI40144	KIT P	15-42547 RR	0025 0052	--
KTRI40145	KIT P	15-42549 D.18 RR	0014 0015 0017 0018 0019	--
KTRI40146	KIT P	15-42548 D.18 RR	0016 0020	--

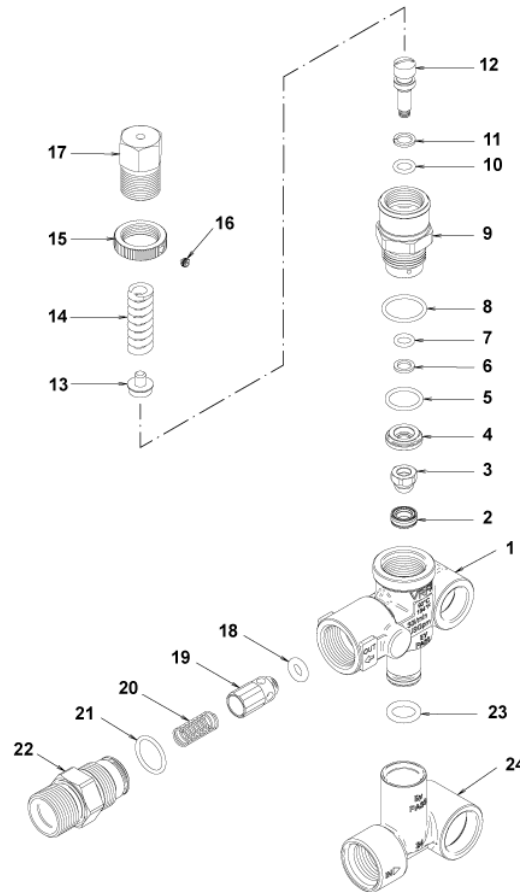


Ref.	K	Part N.	Customer Part N.	Description	Qty	Validity:		Price
						From	To	
0001		PVVR47977		CONNECTOR MV625 G 3/8F	1,00			--
0002		GUGO01058		O-RING D. 17.17 X 1.78 NBR 70SH	1,00			--
0003		MLML47978		SPRING MV 625	1,00			--
0004		PVVR47979		PIN MV 625	1,00			--
0005		GUGO46053		O-RING D. 6 X 3 NBR 90SH	1,00			--
0006		PVVR47980		VALVE BODY MV 625	1,00			--
0007		PVVR40271		CONNECTOR MV 625-RR	1,00			--
0008		PVVR47988		CONNECTOR MV 625 REG.	1,00			--
0009		GUGO11225		O-RING D. 10.78 X 2.62 NBR 70SH	1,00			--
0010		PVVR47985		VALVE SEAT MV 625 + O-RING	1,00			--
0011		PVVR47986		SPRING PLATE MV 625	1,00			--
0012		MLML47987		SPRING D. 3.25X41.1 MV 625	1,00			--
0013		PVVR47984		RING NUT MV 625	1,00			--
0014		PVVR47989		CAP MV 625 REG.	1,00			--
0015		PVVR47990		RING NUT MV 625 REG.	1,00			--
0016		PVVR47991		REGISTER MV 625 REG.	1,00			--
0017		PVVR47992		CLAMP MV 625 REG.	1,00			--
0018		VTVT24918		SCREW EI-ST 4X 4 UNI5927	1,00			--
9999		RCDS40134		SCREW 1/4 MV165 84 OT	1,00			--
9999		RCDS40135		SCREW 3/8 MV165 71 OT	1,00			--

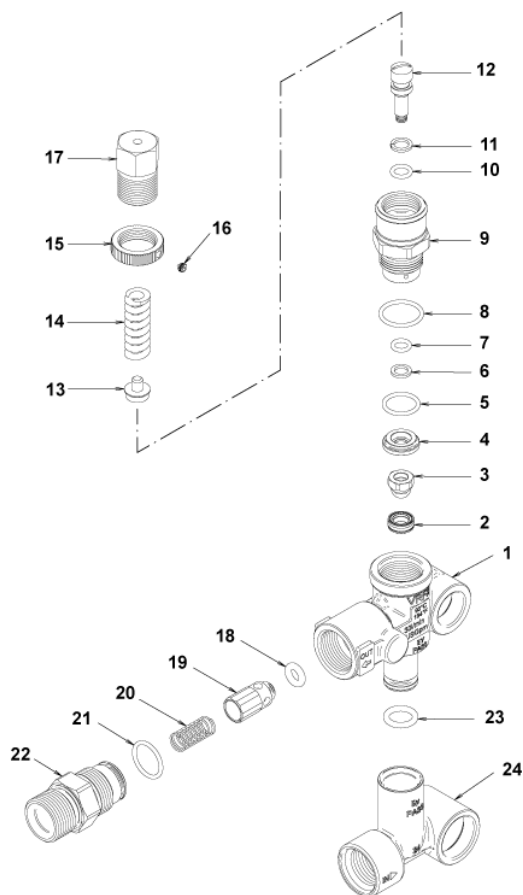




Ref.	K	Part N.	Customer Part N.	Description	Qty	Validity:		Price
						From	To	
0001		PVVR40272		CONNECTOR MV625 M22 M	1,00			--
0002		GUGO01058		O-RING D. 17.17 X 1.78 NBR 70SH	1,00			--
0003		MLML47978		SPRING MV 625	1,00			--
0004		PVVR47979		PIN MV 625	1,00			--
0005		GUGO46053		O-RING D. 6 X 3 NBR 90SH	1,00			--
0006		PVVR47980		VALVE BODY MV 625	1,00			--
0007		PVVR40271		CONNECTOR MV 625-RR	1,00			--
0008		PVVR47988		CONNECTOR MV 625 REG.	1,00			--
0009		GUGO11225		O-RING D. 10.78 X 2.62 NBR 70SH	1,00			--
0010		PVVR47985		VALVE SEAT MV 625 + O-RING	1,00			--
0011		PVVR47986		SPRING PLATE MV 625	1,00			--
0012		MLML47987		SPRING D. 3.25X41.1 MV 625	1,00			--
0013		PVVR47984		RING NUT MV 625	1,00			--
0014		PVVR47989		CAP MV 625 REG.	1,00			--
0015		PVVR47990		RING NUT MV 625 REG.	1,00			--
0016		PVVR47991		REGISTER MV 625 REG.	1,00			--
0017		PVVR47992		CLAMP MV 625 REG.	1,00			--
0018		VTVT24918		SCREW EI-ST 4X 4 UNI5927	1,00			--
9999		RCDS40134		SCREW 1/4 MV165 84 OT	1,00			--
9999		RCDS40135		SCREW 3/8 MV165 71 OT	1,00			--



Ref.	K	Part N.	Customer Part N.	Description	Qty	Validity:		Price
						From	To	
0001		PVVR40362		VALVE BODY VRF2	1,00			--
0002	S	PVVR40363		VALVE SEAT MV124 +OR	1,00			--
0003	S	PVVR40364		COUPLING MV124	1,00			--
0004	S	PVVR40365		SPACER MV124	1,00			--
0005	S	GUGO12322		O-RING D. 14 X 1.78 NBR 90SH	1,00			--
0006	S	GUVR40072		ANTI-EXTR.RING D. 6.5X 9.4	1,00			--
0007	S	GUGO83861		O-RING D. 6.07 X 1.78 NBR 90SH	1,00			--
0008	S	GUGO24913		O-RING D. 17.17 X 1.78 NBR 90SH	1,00			--
0009	S	PVVR40366		CONNECTOR VRF2 D.10	1,00			--
0010	S	GUGO03500		O-RING D. 6.75 X 1.78 NBR 70SH	1,00			--
0011	S	GUVR40073		ANTI-EXTR.RING D. 7.1X10 X1.2 TBT	1,00			--
0012	S	PVVR40367		SMALL PISTON D.10 VRF2	1,00			--
0013		PVVR40368		SPRING PLATE MV124 25B	1,00			--
0014		MLML40027		SPRING D. 3.0/6.0 X38.85	1,00			--
0015		PVVR40369		RING NUT MV167.09	1,00			--
0016		VTVT89696		SCREW EI-ST 4X 4 UNI5927 ZC	1,00			--
0017		PVVR40370		CAP VRF2 M18X1	1,00			--
0018	S	GUGO46053		O-RING D. 6 X 3 NBR 90SH	1,00			--
0019	S	PVVR40349		COUPLING VRT3	1,00			--
0020	S	MLML40026		SPRING VRT3	1,00			--
0021	S	GUGO12321		O-RING D. 15.6 X 1.78 NBR 90SH	1,00			--
0022		PVVR40374		CONNECTOR VRT3 M22 M	1,00			--
0023		GUGO11225		O-RING D. 10.78 X 2.62 NBR 70SH	1,00			--
0024		PVVR40373		CONNECTOR VRF2.24	1,00			--



Ref. Part N.	Cust. Part N.	Description	Reference	Price
KTRI40236	KIT P	14-103 VRF2	0002 0003 0004 0005 0006 0007 0008 0009 0010 0011 0012 0018 0019 0020	
			0021	--
KTRI40237	KIT P	14-104 SEAL VRF2	0002 0003 0005 0006 0007 0008 0010 0011 0018 0021	--