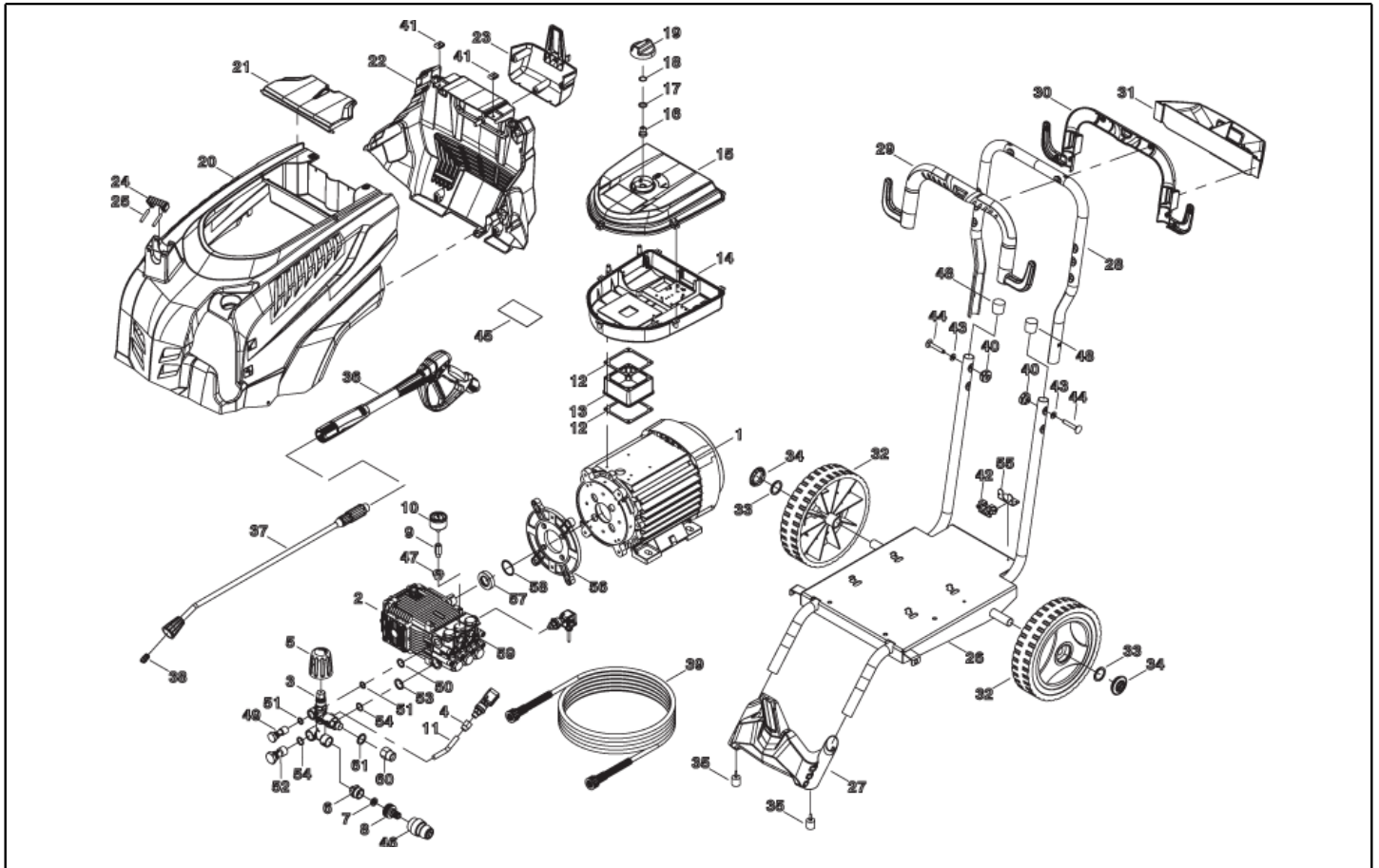


IPC

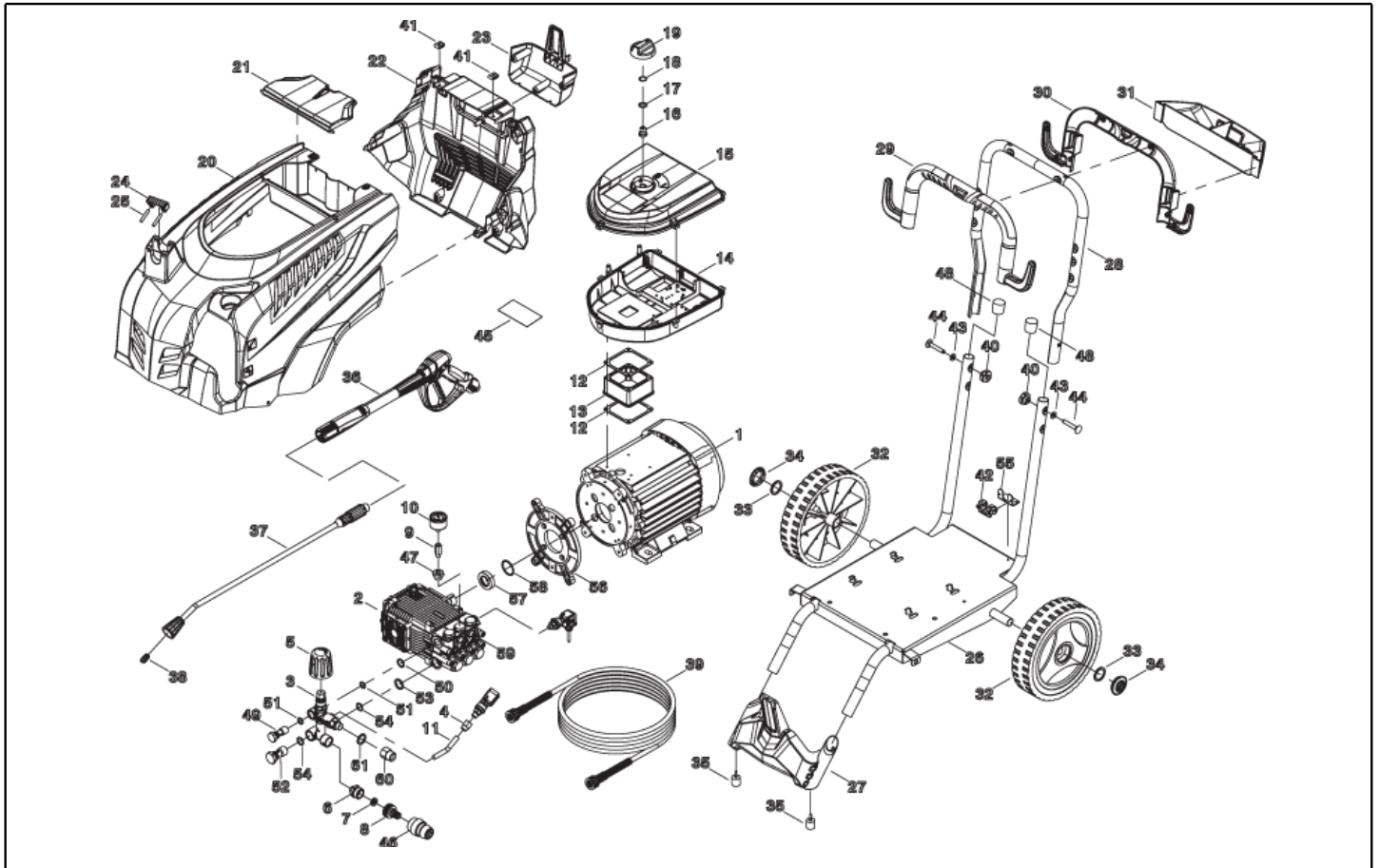
Spare parts list

Ref: IDAF40980

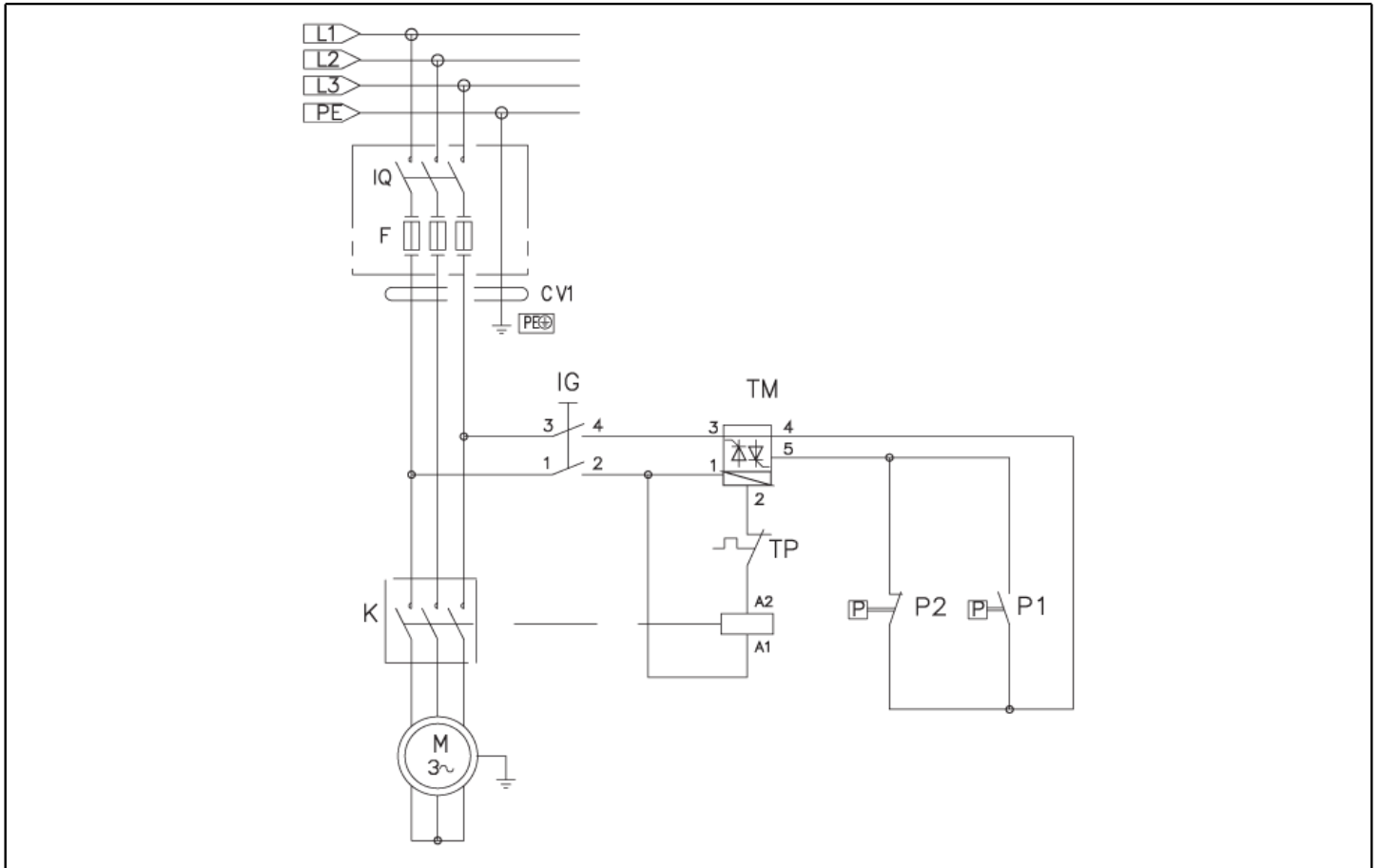
Model: IDROP PRESS-C D2515P T 400/50 3-01PRT



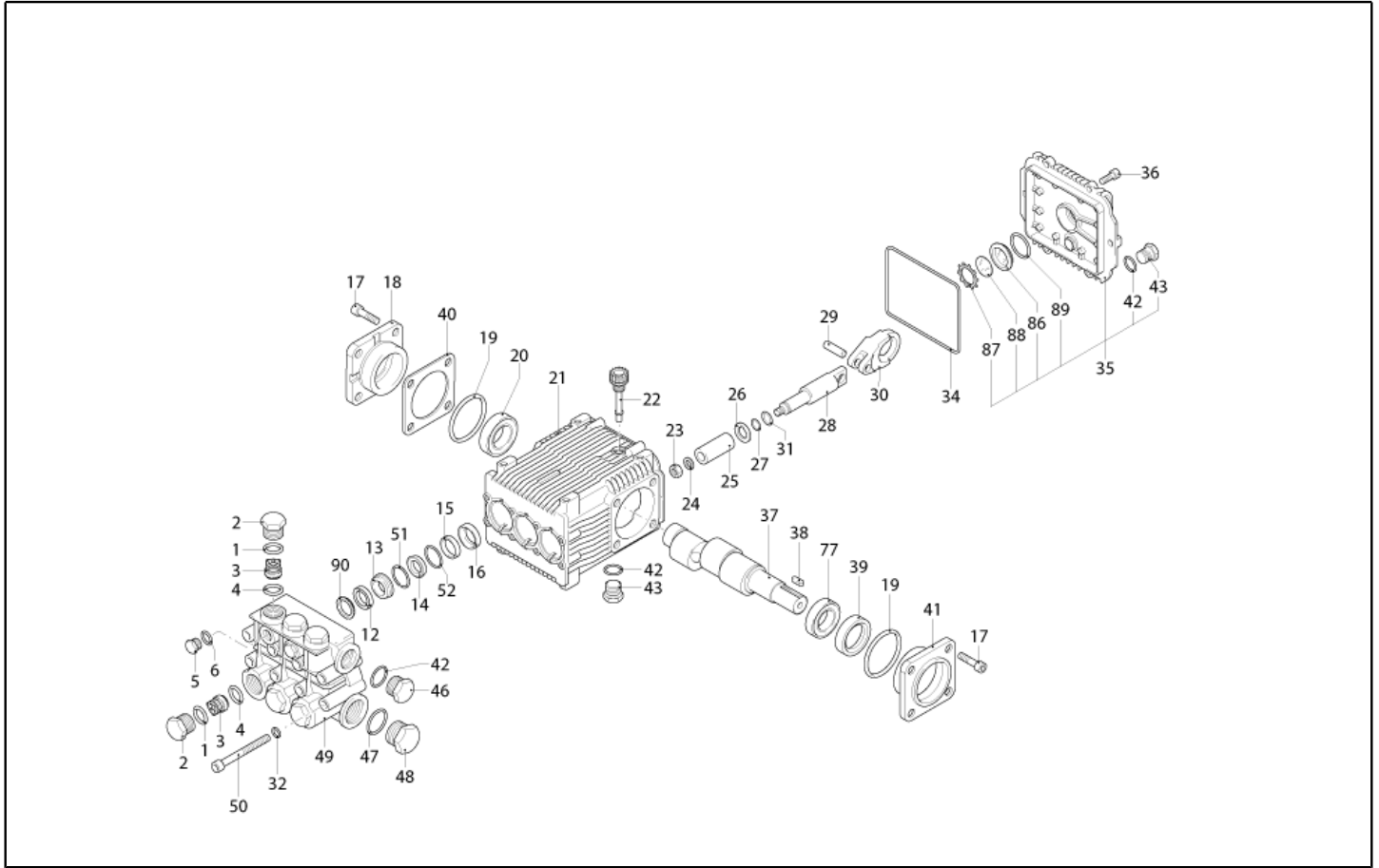
Ref. K	Part n.	Part n. 2	Description	Quantity	Validity		Price
					From	To	
0001	MOTR40068		MOTORE TR. AC-C80 HP 9 2/460-5/60 RR/K	1,00			--
0002	PPAP40084		POMPA AR RK 15.25 DX NC T.OTT.	1,00			--
0003	VVAZ40081		VALVOLA AZZERAM. VRF-2 AR-R PPr S/IN. RG	1,00			--
0004	RCVR45741	00045741	PORTAUGELLO 1/4-1/8 F MTM FE502286	1,00			--
0005	MPVR40589		MANOPOLA PER ST 260 IPC PA6 NERO	1,00			--
0006	RCDS87610	00087610	NIPPLO 3/4 - 1/2 CALIB. D.13 OTT.	1,00			--
0007	FTDT12702	00012702	FILTRO DET. IN RETE VB 130AF PA28002422	1,00			--
0008	RCLR29600	00029600	PRESA RUBINETTO M.FIL. 3/4 F PTC1250002	1,00			--
0009	RCDS40280		COLONNETTA M-F 1/8 L=25 MM OTT.	1,00			--
0010	MNMN18650	00018650	MANOMETRO ATT.POST.SEN.STAFFA 0-300 D.40	1,00			--
0011	RCDS40281		TUBO RACCORDO L=120 2X1/8M CN. INOX	1,00			--
0012	GUGO10881	00010881	GUARNIZIONE COPRIMORSETT. MOT.EL. 73X 73	2,00			--
0013	MPVR40926		DISTANZIALE CASS. C45 CAME H.26.0 ABS	1,00			--
0014	MPVR40957		CASSETTA COMANDI PW-C55 9.0Hp/RK ABS NRO	1,00			--
0015	MPVR40908		COPERCHIO CASS.COMANDI PW-C45 ABS NERO	1,00			--
0016	MPVR23482	00023482	CODOLO DI UNIONE INTERRU.T. TEC. TUV	1,00			--
0017	GUGO25527	00025527	O-RING D. 14 X 3 - NBR -70SH	1,00			--
0018	VTRS40008		ROSETTA D. 3,2X 9 X0,8 PA66 NYLON	2,00			--
0019	MPVR49057	00049057	MANOPOLA REGOLAZIONE P176-M.RACE PA6 NRO	1,00			--
0020	MPVR40919		COPERTURA PW-C55 PPL ROSSO	1,00			--
0021	MPVR40906		SPORTELLA COPERTURA PW-C45 PPL NERO	1,00			--
0022	MPVR40921		PANNELLO POSTERIORE PW-C55 PPL NERO	1,00			--
0023	MPVR40909		VANO PORTAOGGETTI PW-C45 PP NERO	1,00			--
0024	MPVR40485		GOMMINO POSALANCIA PW-H35 15-20 DLX	1,00			--
0025	MPVR40534		PERNO POSALANCIA PW-H35 PP NERO	2,00			--
0026	LAFN40992		CARRELLO PW-C55 V.NERO	1,00			--
0027	MPVR40905		PIEDE APPOGGIO PW-C45 PP NERO	1,00			--
0028	LAFN40991		MANIGLIONE PW-C45/55 V.NERO	1,00			--
0029	MPVR40910		SEMIGUSCIO RIVEST.MANIGL.PW-C45 ANT.PP.N	1,00			--
0030	MPVR40911		SEMIGUSCIO RIVEST.MANIGL.PW-C45 PST.PP.N	1,00			--
0031	MPVR40915		VANO PORTAOGGETTI PW-C45 MANIGL. PP NERO	1,00			--
0032	RTRT40019		RUOTA LIBERA D.250-D.20X 58 RES NERA	2,00			--
0033	VTRS28558	00028558	ROSETTA D.20 FERMARUOTA	2,00			--
0034	MPVR40735		TAPPO COPRIRUOTA D. 50 G-48/IPC ROSSO	2,00			--
0035	MPVR60553	00060553	PIEDINO GOMMA 20X20 AQ EPDR50	2,00			--
0036	IPPR40020		IMPUGNATURA G 60004+PROL.330+M22 SW.M V	1,00			--
0037	LCPR40159		PROLUNGA P 70 - P20.IX700 M22 M-1/4F 0°	1,00			--
0038	UGLN49986	00049986	UGELLO LANCIA LECH 1/4 1504	1,00			--
0039	TBAP25324	00025324	TUBO A.P. R1 MT 10 5/16" C/2 IRV F ZC+MN	1,00			--
0040	VTVR40062		VOLANTINO F 8MA THF40 +TAPPO	2,00			--
0041	VTVR40064		PIASTRINA DOPPIA IMBUTITA M 5 SP.1.5 BR	2,00			--
0042	MEVR33994	00033994	SERRACAVO 4228 B D. 6- 18	1,00			--
0043	VTRS00504	00000504	ROSETTA D. 8 TE PIANA Z. UNI6592	2,00			--
0044	VTVT40070		VITE M 8X 50 TTQST Z.NE.UNI 5731	2,00			--



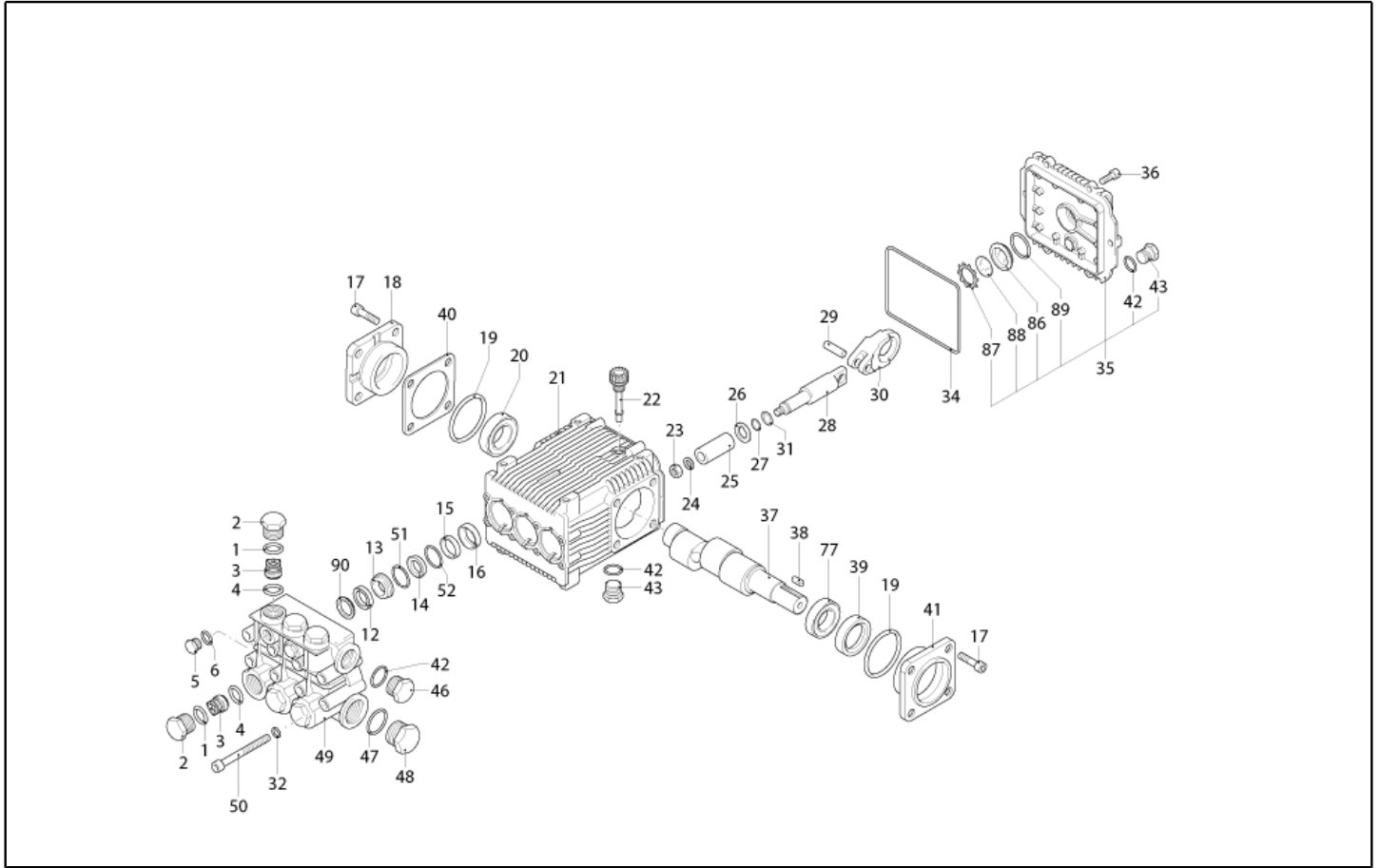
Ref. K	Part n.	Part n. 2	Description	Quantity	Validity		Price
					From	To	
0045	ETET41262		ETICHETTA COPRIFORI LED PW-C45 POLIC	1,00			--
0046	RCVR29602	00029602	RACCORDO PORTAGOMMA 1/2"-5/8" PTC1250005	1,00			--
0047	PVVR40175		TAPPO POMPA RR C/FORO 1/8F+OR AR42627	1,00			--
0048	MPVR01696	00001696	PUNTALE D.25 PLASTICA 1.02.107	2,00			--
0049	RCDS40172		VITE CAVA 3/8 VRF-2 OT 4F. V00000013	1,00			--
0050	VTRS00548	00000548	ROSETTA D.17,5X23X1,5 (3/8)RAME	1,00			--
0051	GUGO03510	00003510	O-RING D. 12.37 X 2.62 - NBR -70SH	2,00			--
0052	RCDS40171		VITE CAVA 1/2 VRF-2 OT 2F. V00000014	1,00			--
0053	VTRS00549	00000549	ROSETTA D.21,5X27X1,5 (1/2)RAME	1,00			--
0054	GUGO01048	00001048	O-RING D. 15.88 X 2.62 - NBR -70SH	2,00			--
0055	LAFN40838		STAFFA FISS.PRESSACAVO PW-H100 L.ZIN	1,00			--
0056	MFVR21735	00021735	CONTROFLANGIA MOT.EL. 112 TOR 2V	1,00			--
0057	RCDS40109		BOCCOLA RITEGNO GRASSO X POMPA AR RK OT	1,00			--
0058	GUGO42285	00042285	O-RING D. 35 X 2.5 - VITON -70SH	1,00			--
0059	RCVR09058	00009058	TAPPO 1/4 M OT.NIK CON EI DA 8	2,00			--
0060	RCIN03753	00003753	INNESTO A VITE MASCHIO FILET.M22-3/8 M-F	1,00			--



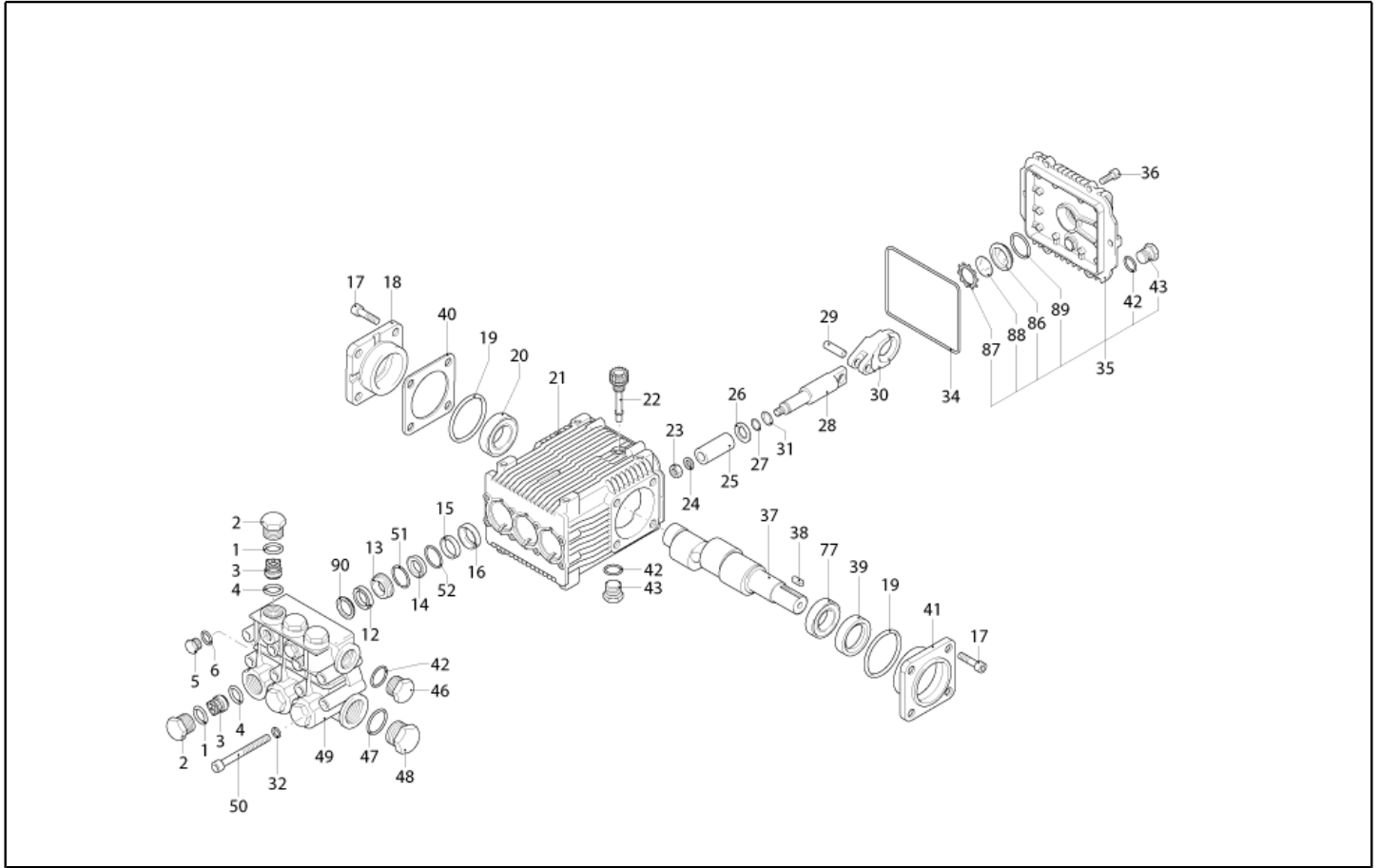
Ref. K	Part n.	Part n. 2	Description	Quantity	Validity		Price
					From	To	
K	METT40021		TELER. SIEMENS 3RT 2025-1AV00 400V 50/60	1,00			--
IG	MECI40020		INTERRUT. BRM BIP. 0-1 12A CR012	1,00			--
P1	MEPF45229	00045229	PRESSOSTATO MTM MICRO 3/8M NA/NC 25B.	1,00			--
P2	MEPF39902	00039902	PRESSOSTATO MTM MICRO 1/4M NA/NC 25B.	1,00			--
TM	METY40023		TEMPORIZ THV/1Eco. 400V 5/60HZ 30 Sec.	1,00			--
CV1	MECB89888		CAVO CABLATO N°394 4X2.5 NP L=650	1,00			--



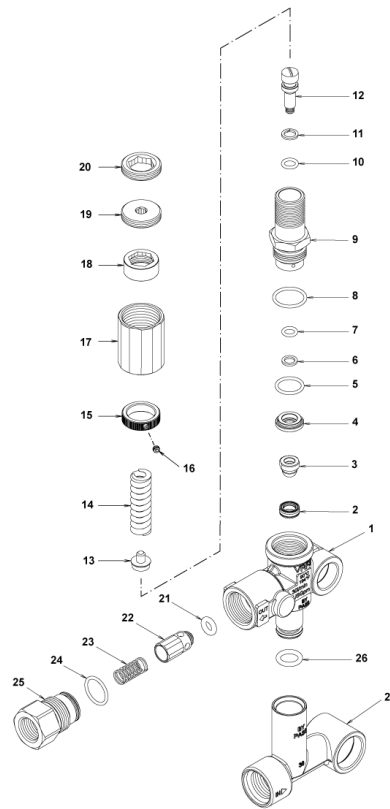
Ref. K	Part n.	Part n. 2	Description	Quantity	Validity		Price
					From	To	
0001	GUGO03502	00003502	O-RING D. 17.86 X 2.62 - NBR -70SH	6,00			--
0002	PVVR40161		TAPPO POMPA RR AR960090	6,00			--
0003	S VVAM40003		GRUPPO VALVOLA RR AR1389051	6,00			--
0004	S GUGO02259	00002259	O-RING D. 15.54 X 2.62 - NBR -70SH	6,00			--
0005	PVVR40129		TAPPO 1/4 M POMPA RC AR 880581	2,00			--
0006	GUGO01036	00001036	O-RING D. 10.82 X 1.78 - NBR -70SH	2,00			--
0012	S GUVR40045		ANELLO DI TENUTA D.18 RW H.P. AR1382740	3,00			--
0013	S PVVR40238		ANELLO INTERMEDIO D.18 RK AR1382670	3,00			--
0014	S GUVR40056		ANELLO DI TENUTA D.18 RK AR1382590	3,00			--
0015	S PVVR40239		DISTANZIALE D. 35 AN.TENUTA RK AR1382570	3,00			--
0016	S GUGO40022		ANELLO RADIALE RK 20X28X6 AR1383130	3,00			--
0017	VTVT01118	00001118	VITE TCEI M 8X16 ZINC. UNI 5931	8,00			--
0018	MFVR40038		COPERCHIO CARTER AR RK LAT. AR1380050	1,00			--
0019	S GUGO01053	00001053	O-RING D. 60 X 2.62 - NBR -70SH	2,00			--
0020	CUVR40011		CUSCINETTO 30304DQ 20X52X16,25 AR2280340	1,00			--
0021	MFVR40039		CARTER POMPA AR RW AR1382770	1,00			--
0022	PVVR19231	00019231	TAPPO CARICO OLIO POMPA XTS AR 880130	1,00			--
0023	VTDD00483	00000483	DADO M 8 ZINC. UNI5588 P.GROS ACCIAIO	3,00			--
0024	VTRS19394	00019394	ROSETTA D. 8X13X0,5 RAME AR1260100	3,00			--
0025	S PIVR40012		PISTONE D. 18X40 RK AR1383230	3,00			--
0026	PVVR40218		DISCO APPOGGIO PISTONE RK AR1383350	3,00			--
0027	GUGO08071	00008071	O-RING D. 4.48 X 1.78 - NBR -70SH	3,00			--
0028	PVVR40217		GUIDA PISTONE RK AR1383240	3,00			--
0029	PVVR40211		SPINOTTO D. 10X25 RK AR1380060	3,00			--
0030	BLVR40005		BIELLA COMPLETA RK AR1383020	3,00			--
0031	GUVR40044		ANELLO ANTIEST. D. 5 X 8 X1 AR1080550	3,00			--
0032	VTRS00504	00000504	ROSETTA D. 8 TE PIANA Z. UNI6592	8,00			--
0034	S GUGO40023		O-RING D. 106 X 3 - NBR -70SH	1,00			--
0035	MFVR40041		COPERCHIO CARTER AR RK AR1789010	1,00			--
0036	VTVT01114	00001114	VITE TCEI M 6X14 ZINC. UNI 5931	6,00			--
0037	ALMO40019		ALBERO POMPA RK 18.16 NC AR2282360	1,00			--
0038	VTVR41531	00041531	LINGUETTA AD INCASTRO 8X 7X35 UNI 6604A	1,00			--
0039	S GUGO01245	00001245	ANELLO RADIALE 25X 45X10-L.CM -NBR70	1,00			--
0040	PVVR40214		SPESSORE POMPA RK 0,20 mm AR1380130	1,00			--
0041	MFVR40040		COPERCHIO CARTER AR RK LAT.AP. AR1380040	1,00			--
0042	GUGO09720	00009720	O-RING D. 14 X 1.78 - NBR -70SH	3,00			--
0043	PVVR40099		TAPPO 3/8 M POMPA HRM AR1980740	1,00			--
0046	PVVR40099		TAPPO 3/8 M POMPA HRM AR1980740	1,00			--
0047	GUGO19245	00019245	O-RING D. 17.5 X 2 - NBR -70SH	1,00			--
0048	PVVR40121		TAPPO 1/2 M POMPA RC AR 820361	1,00			--
0049	MFVR40049		TESTATA POMPA RK 15.25 AR2281460	1,00			--
0050	VTVT37530	00037530	VITE TCEI M 8X70 ZINC. UNI 5931	8,00			--
0051	S GUGO09699	00009699	O-RING D. 18.77 X 1.78 - NBR -70SH	3,00			--
0052	S GUGO01039	00001039	O-RING D. 31.47 X 1.78 - NBR -70SH	3,00			--



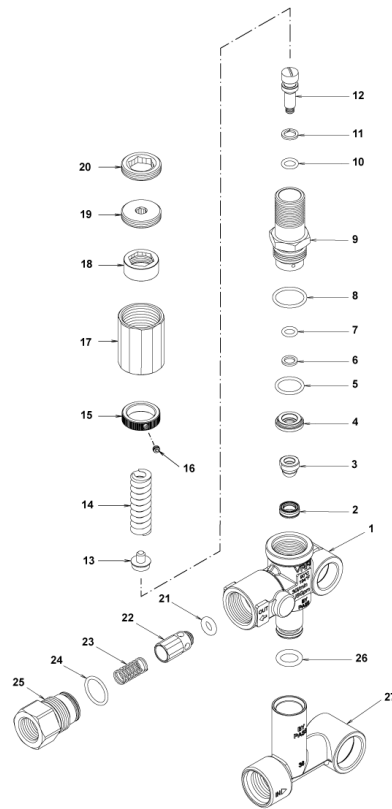
Ref. K	Part n.	Part n. 2	Description	Quantity	Validity		Price
					From	To	
0077	CUVR66788		CUSC. D.25X52X16,25 30205 SKF	1,00			--
0086	PVVR19238	00019238	LIVELLO OLIO POMPA XTS AR1260250	1,00			--
0087	VTAE19239	00019239	ANELLO AUTOB.X FORI ZJ25 0,5 X25,35X16,0	1,00			--
0088	PVVR40199		DISCO DI CONTRASTO POMPA RW AR1780690	1,00			--
0089	GUGO19395	00019395	O-RING D. 20.24 X 2.62 - NBR -70SH	1,00			--
0090	S PVVR40182		ANELLO DI TESTA RW D. 18 AR960110	3,00			--



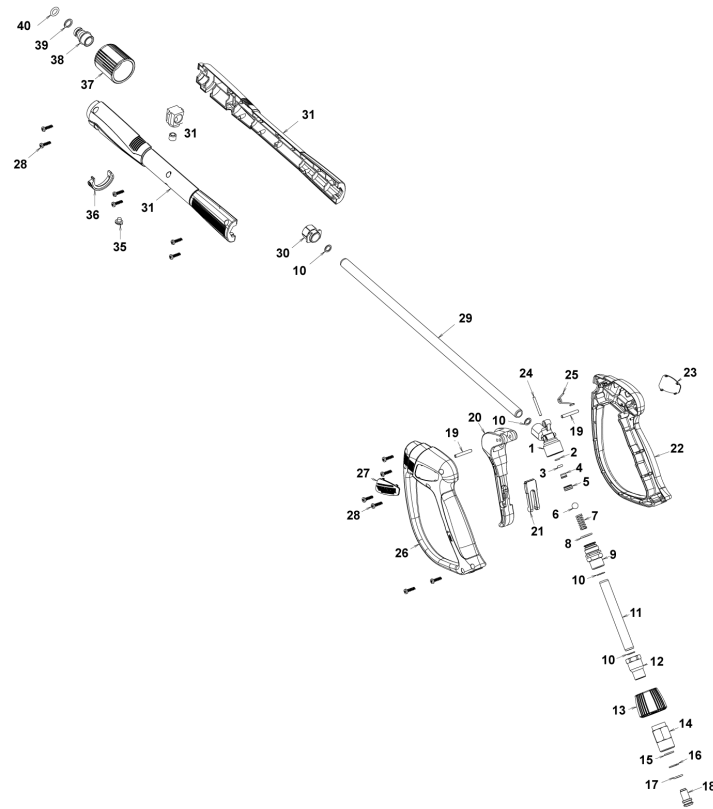
Ref. Part n.	Cust. part n.	Description	Reference	Price
KTRI40298		KIT P 15-42000 PACCHETTO TEN.18 RK AR	0012 0013 0014 0015 0051 0052 0090	--
K A KTRI40142		KIT P 15-42909 GRUPPO VALVOLA RR AR	0003 0004	--
K B KTRI40169		KIT P 15-2500 PISTONI D.18 RK AR	0025	--
K C KTRI40167		KIT P 15-42886 ANELLI RADIALI RK AR	0016 0019 0034 0039	--
K E KTRI40190		KIT P 15-42473 ANELLI DI TENUTA D.18 RK	0051 0052 0012 0014	--
K G KTRI40191		KIT P 15-42885 ANELLI DI TESTA D.18RK AR	0090	--



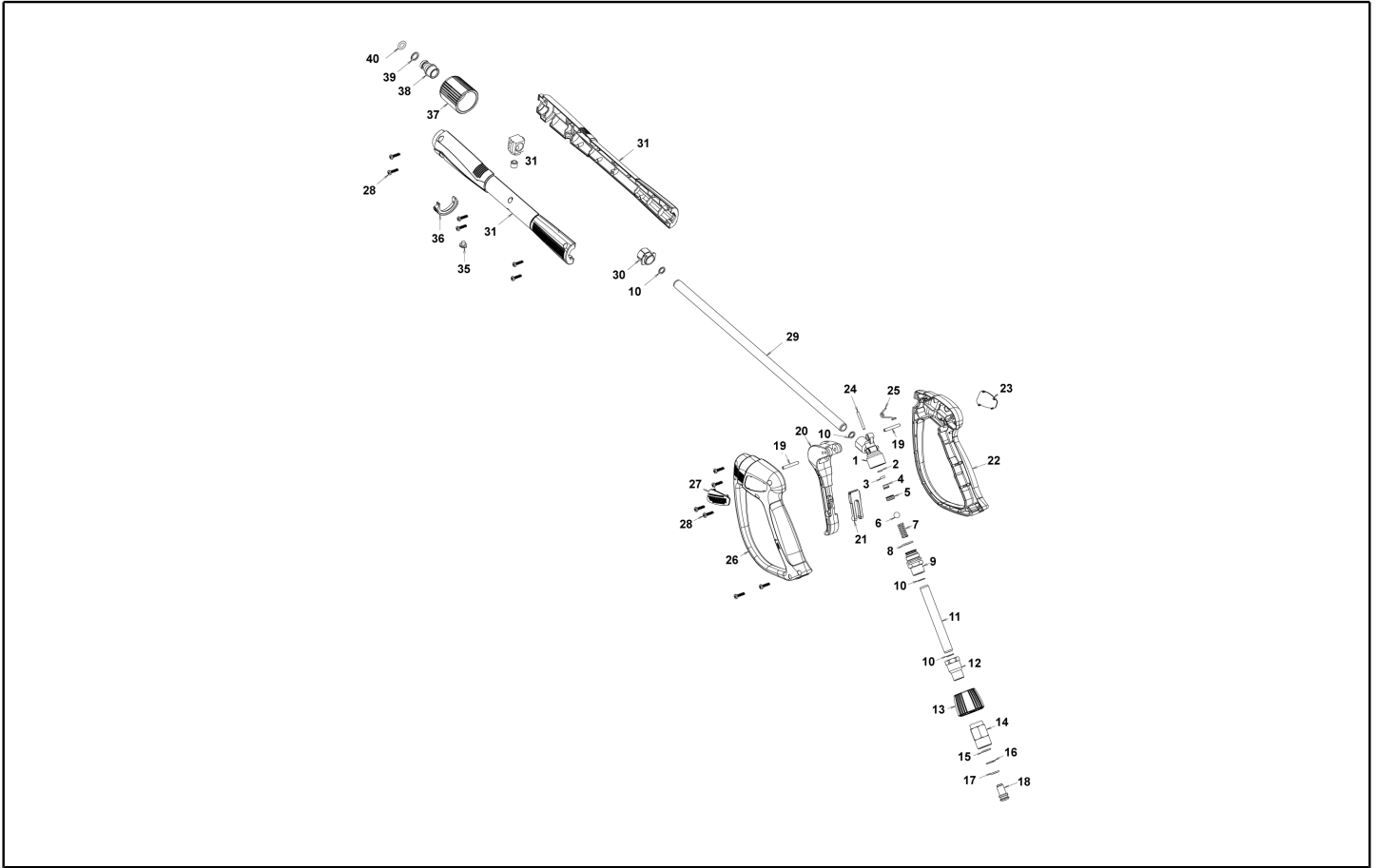
Ref. K	Part n.	Part n. 2	Description	Quantity	Validity		Price
					From	To	
0001	PVVR40375		CORPO VALVOLA VRF2 + G1/8 F C00016008	1,00			--
0002	S PVVR40363		SEDE VALVOLA MV124 +OR 0106200010	1,00			--
0003	S PVVR40364		OTTURATORE VALVOLA MV124 0157720060	1,00			--
0004	S PVVR40365		DISTANZIALE VALVOLA MV124 0139720000	1,00			--
0005	S GUGO12322	00012322	O-RING D. 14 X 1.78 - NBR -90SH	1,00			--
0006	S GUVR40072		ANELLO ANTIEST. D. 6.5X 9.4 A00011003	1,00			--
0007	S GUGO83861		O-RING D. 6.07 X 1.78 - NBR -90SH	1,00			--
0008	S GUGO24913	00024913	O-RING D. 17.17 X 1.78 - NBR -90SH	1,00			--
0009	S PVVR40388		RACCORDO PORTA PISTON. MV165 0106710100	1,00			--
0010	S GUGO03500	00003500	O-RING D. 6.75 X 1.78 - NBR -70SH	1,00			--
0011	S GUVR40073		ANELLO ANTIEST. D. 7.1X10 A00011004	1,00			--
0012	S PVVR40367		PISTONCINO VALVOLA D.10 VRF2 O114720330	1,00			--
0013	S PVVR40368		PIATTELLO MOLLA MV124 0131730050	1,00			--
0014	S MLML47987	00047987	MOLLA D. 3.25X41.1 MV625 MV0107720290	1,00			--
0015	S PVVR40369		GHIERA REG.VALVOLA MV167 0147710200	1,00			--
0016	S VTVT89696		VITE M 4X 4 EI SENZA TESTA UNI 5927 ZC	1,00			--
0017	S PVVR47989	00047989	CAPPUCCIO VALVOLA MV625-RG MV0106710110	1,00			--
0018	S PVVR47990	00047990	GHIERA REG.VALVOLA MV625-RG.MV0147710130	1,00			--
0019	S PVVR47991	00047991	REGISTRO PRESS. VALV.625-RG MV0134710080	1,00			--
0020	S PVVR47992	00047992	FERMO REGOLAZIONE MV625-RG. MV0146720000	1,00			--
0021	S GUGO46053	00046053	O-RING D. 6 X 3 - NBR -90SH	1,00			--
0022	PVVR40349		OTTURATORE VALVOLA N/RIT. VRT 0157710040	1,00			--
0023	MLML40026		MOLLA VALVOLA NON RIT. VRT3 0107720800	1,00			--
0024	S GUGO12321	00012321	O-RING D. 15.6 X 1.78 - NBR -90SH	1,00			--
0025	PVVR40350		RACCORDO USCITA VRT3 G3/8F 0115712260	1,00			--
0026	GUGO11225	00011225	O-RING D. 10.78 X 2.62 - NBR -70SH	1,00			--
0027	PVVR40373		RACCORDO COLLETTORE VRF2.24 0109710950	1,00			--



Ref. Part n.	Cust. part n.	Description	Reference	Price
KTRI40237		KIT P 14-104 SET GUARNIZIONI VRF2 TC	0002 0003 0005 0006 0007 0008 0010 0011 0021 0024	--
KTRI40256		KIT P 14-105 FRUTTO VALVOLA VRF2 Reg. TC	0002 0003 0004 0005 0006 0007 0008 0009 0010 0011 0012 0013 0014 0015 0016 0017 0018 0019 0020	--



Ref. K	Part n.	Part n. 2	Description	Quantity	Validity		Price
					From	To	
0001	PVVR40381		CORPO PISTOLA G5100 G1/4F C00015001	1,00			--
0002	S	GUVR40074	ANELLO ANTIEST. D. 3 X 7.4X1.3 000117	1,00			--
0003	S	GUGO21835	00021835	O-RING D. 2.84 X 2.62 - VITON -70SH	1,00		--
0004	PVVR40382		GUIDA PISTONCINO G5100 0106710610	1,00			--
0005	S	PVVR40112	SEDE SFERA G5000 MV0106200140	1,00			--
0006	S	SFVR40002	SFERA D.11/32" ALLUMINIA GR16 0112700000	1,00			--
0007	MLML40016		MOLLA D. 9.4 X21.5X1.6 MV0107720030	1,00			--
0008	GUGO12322	00012322	O-RING D. 14 X 1.78 - NBR -90SH	1,00			--
0009	PVVR40383		RACCORDO COLLEG. G5100 1/4F R00000144	1,00			--
0010	VTRS40017		ROSETTA D. 8.2X11.4X1.00 0117760000	4,00			--
0011	PVVR40384		TUBO ENT. G 1/4" L.105 T00303011	1,00			--
0012	RCIN40022		RACCORDO SWIVEL G5100 1/4F R00000145	1,00			--
0013	MPVR40819		GHIERA BLOCC.SWIVEL G5100 NE. M017C0004	1,00			--
0014	RCIN40021		INNESTO SWIVEL G 5100 M22 0115711790	1,00			--
0015	S	GUVR40075	ANELLO ANTIEST. D.10 X14X1.5 0117740740	1,00			--
0016	S	GUVR40076	ANELLO ANTIEST. D.11.2X14X1.2 0117740120	1,00			--
0017	S	GUGO15295	00015295	O-RING D. 10.82 X 1.78 - VITON -75SH	1,00		--
0018	PVVR40386		VITE FISS. SWIVEL G 5100 0116720200	1,00			--
0019	VTVR40047		SPINA CILINDRICA 4X29 INOX 0118730010	2,00			--
0020	MPVR40820		GRILLETTO PISTOLA G6000-SW L000C0002	1,00			--
0021	MPVR40821		SICURA GRILLETTO G 6000-SW 0100740520	1,00			--
0022	MPVR40822		GUSCIO IMPUGNATURA G6000-SW DX S023C0010	1,00			--
0023	MPVR40823		TARGHETTA IDENTIF. G6000 GR.DX T002C0028	1,00			--
0024	PVVR40387		PISTONCINO IMP. G5100 0104720210	1,00			--
0025	MLML40029		MOLLA PULSANTE G 5100 0107720730	1,00			--
0026	MPVR40824		GUSCIO IMPUGNATURA G6000-SW SX S023C0011	1,00			--
0027	MPVR40825		TARGHETTA IDENTIF. G6000 GR.SX T002C0027	1,00			--
0028	VTVT40043		VITE AUTOFIL TCB T-CROCE 4 X14 HILO ZN.N	12,00			--
0029	LCPR40086		TUBO 1/4 ZINC. L=420 0° 0113770690	1,00			--
0030	MPVR40493		RACCORDO IMPUGNATURA G5100 0115740110	1,00			--
0031	MPVR40494		PROTEZIONE LANCIA P420 C/AN. P00600031	1,00			--
0035	MPVR40198		TAPPO PROT.GRANO G5000 MV0103740140	1,00			--
0036	MPVR40495		TAPPO REMOV.PROT.LANCIA G51 0103740120	1,00			--
0037	PVVR40119		GIRELLO M22X1,5 IRV G5000 MV0119000570	1,00			--
0038	RCIN40009		SPINOTTO G 1/4 F IRV G5000 MV0121710420	1,00			--
0039	GUVR40034		ANELLO ANTIEST. D.10 X14 MV0117740760	1,00			--
0040	GUGO01946	00001946	O-RING D. 9.13 X 2.62 - VITON -70SH	1,00			--



Ref. Part n.	Cust. part n.	Description	Reference	Price
KTRI40243		KIT P 26- 26 SWIVEL G 5100	0015 0016 0017	--
KTRI40414		KIT P 26- 34 IMPUGNATURA G 6000	0002 0003 0005 0006	--